

[54] IMPACT WRENCH

[76] Inventor: Sten-Ake Andersson, Box 8, S-360 24 Linneryd, Sweden

[\*\*] Term: 14 Years

[21] Appl. No.: 609,671

[22] Filed: May 9, 1984

[30] Foreign Application Priority Data

Nov. 9, 1983 [SE]	Sweden .....	832927
[52] U.S. Cl. ....		D8/24
[58] Field of Search .....		D8/21-29;
		81/121.1, 462, 177.5; 173/93

[56] References Cited

U.S. PATENT DOCUMENTS

D. 213,468	3/1969	Broughton .....	D8/26
305,767	9/1884	True .....	81/177.5 X
1,710,198	4/1929	Torgerson .....	81/177.5 X
2,465,152	3/1949	Ellison .....	81/177.5 X
2,577,931	12/1951	Tillman .....	81/177.5 X
3,158,050	11/1964	Shandel .....	81/462 X

Primary Examiner—Susan J. Lucas

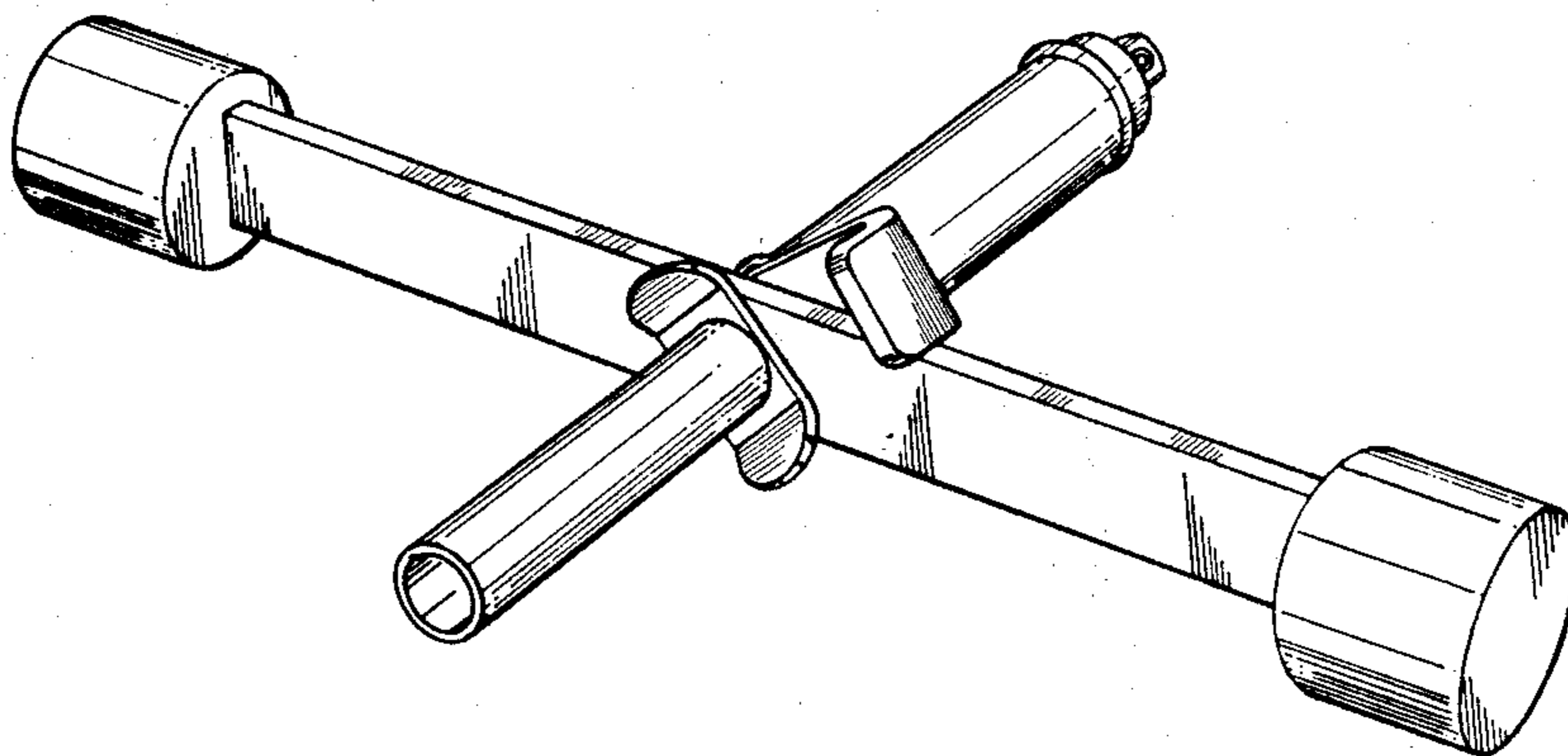
Assistant Examiner—C. E. Heflin  
Attorney, Agent, or Firm—Browdy and Neimark

[57] CLAIM

The ornamental design for an impact wrench, as shown.

DESCRIPTION

FIG. 1 is a top, front perspective view of the impact wrench showing my new design;  
 FIG. 2 is a bottom, rear perspective view thereof;  
 FIG. 3 is an enlarged perspective view of the torquing portion thereof, the remainder of the wrench being omitted for clarity of disclosure;  
 FIG. 4 is an enlarged opposite perspective view of the torquing portion thereof, the remainder of the wrench being omitted for clarity of disclosure;  
 FIG. 5 is an enlarged perspective view of the handle portion thereof, the remainder of the wrench being omitted for clarity of disclosure;  
 FIG. 6 is an enlarged opposite perspective view of the handle portion thereof, the remainder of the wrench being omitted for clarity of disclosure;  
 FIG. 7 is a perspective view of the central portion thereof, the remainder of the wrench being omitted for clarity of disclosure.



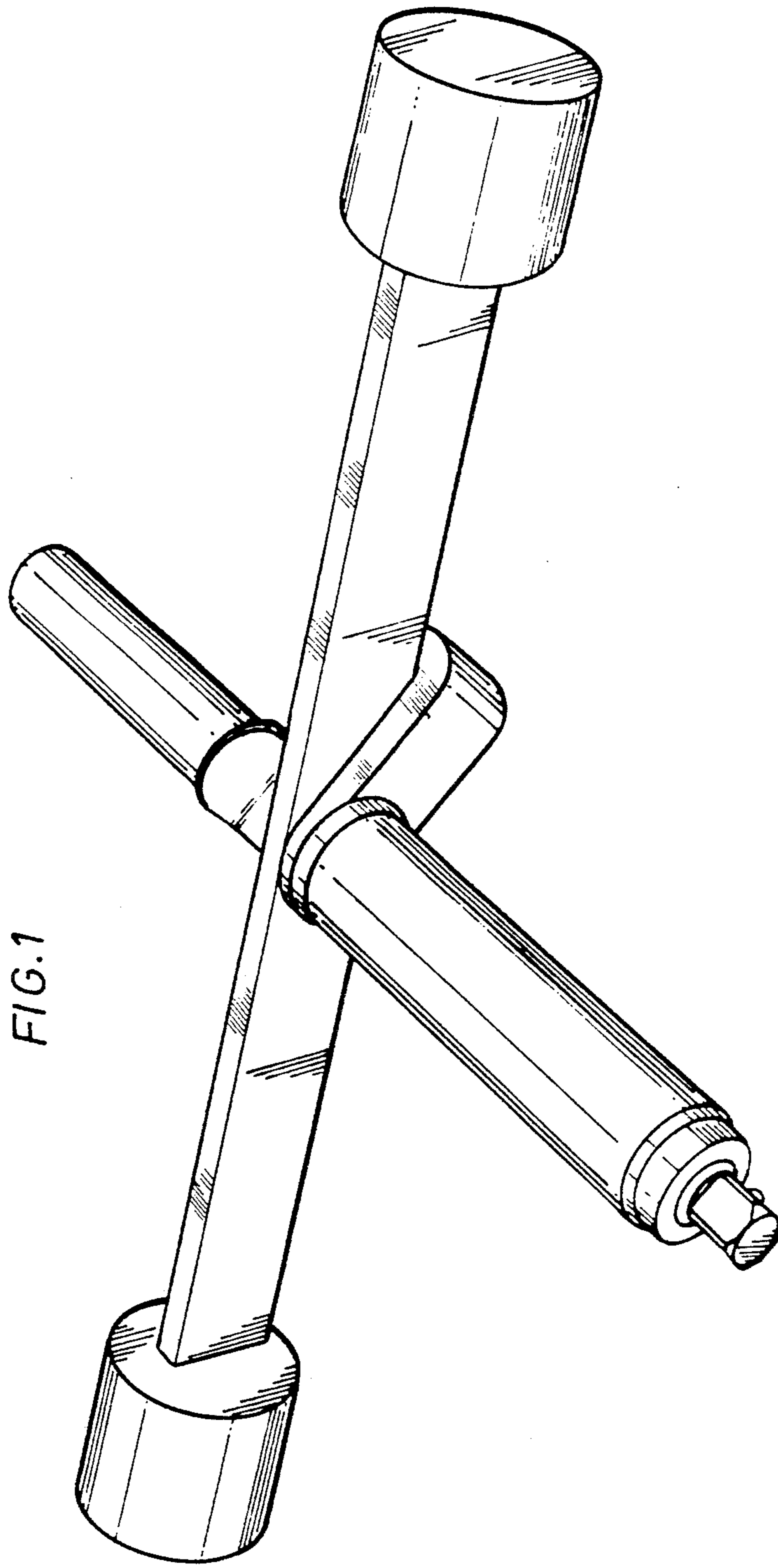
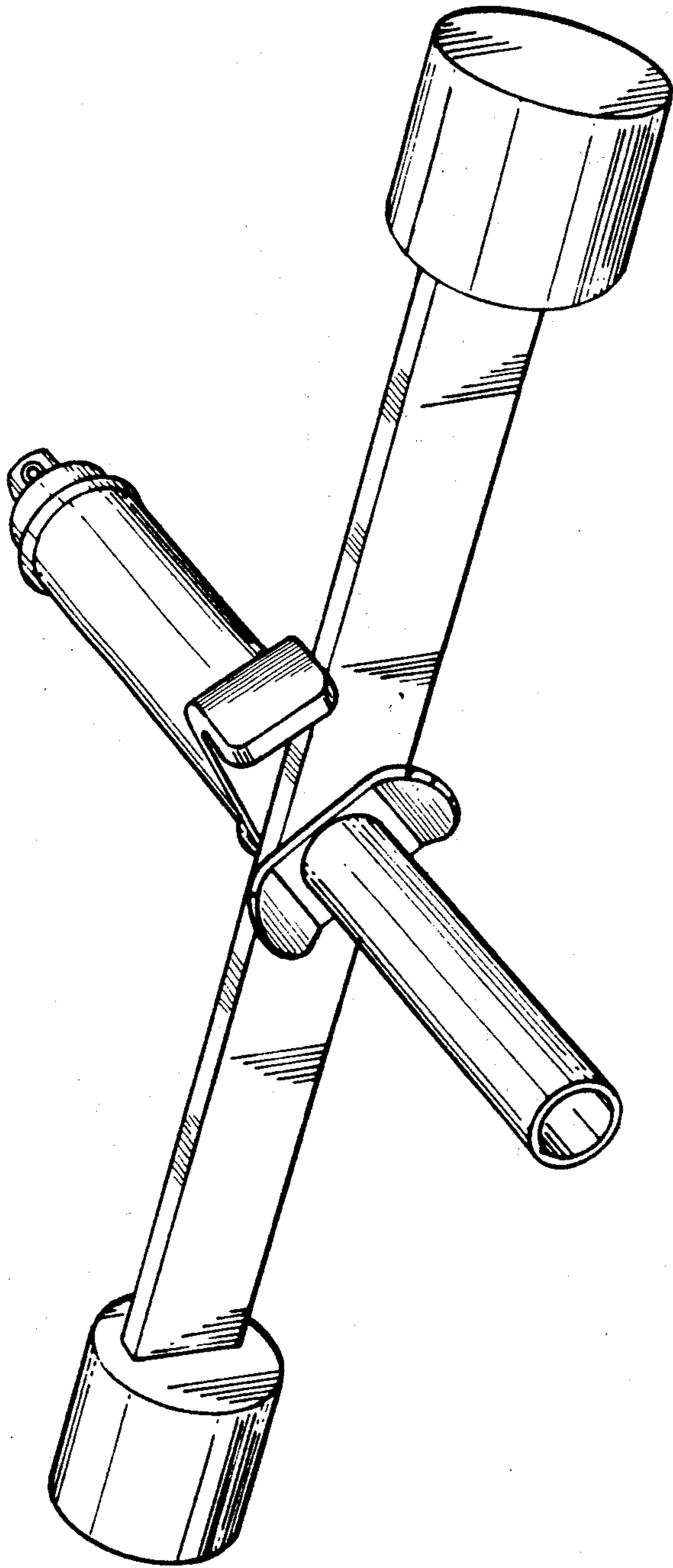
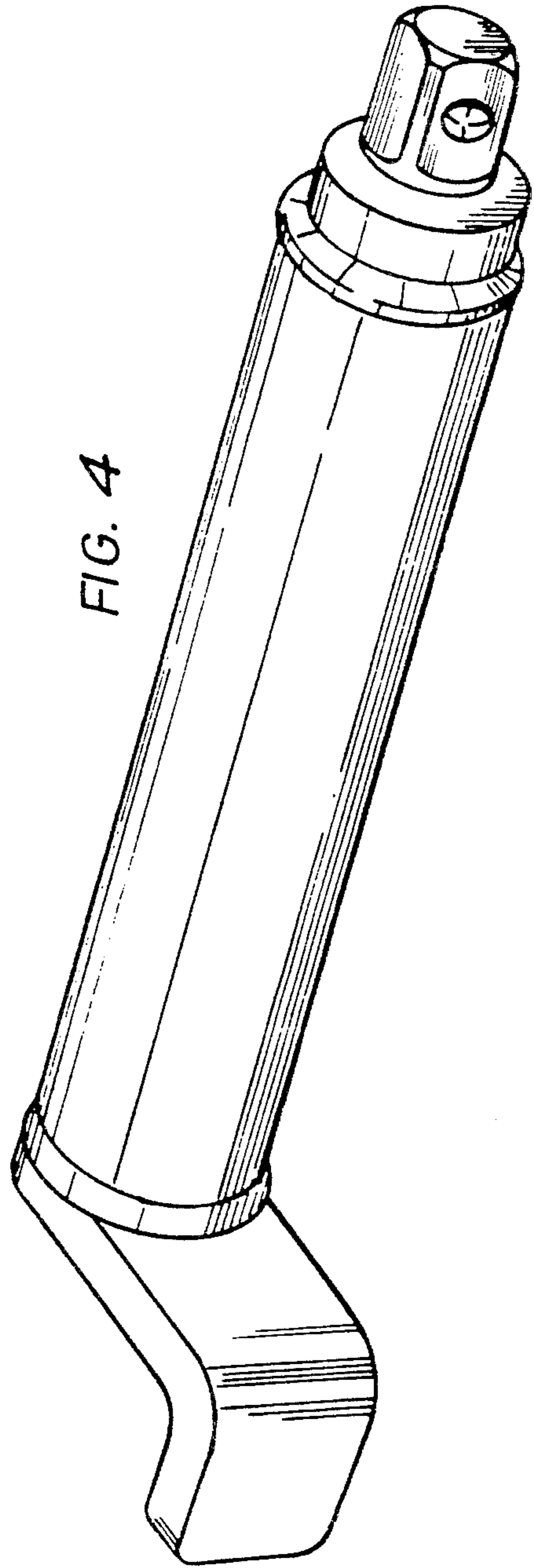
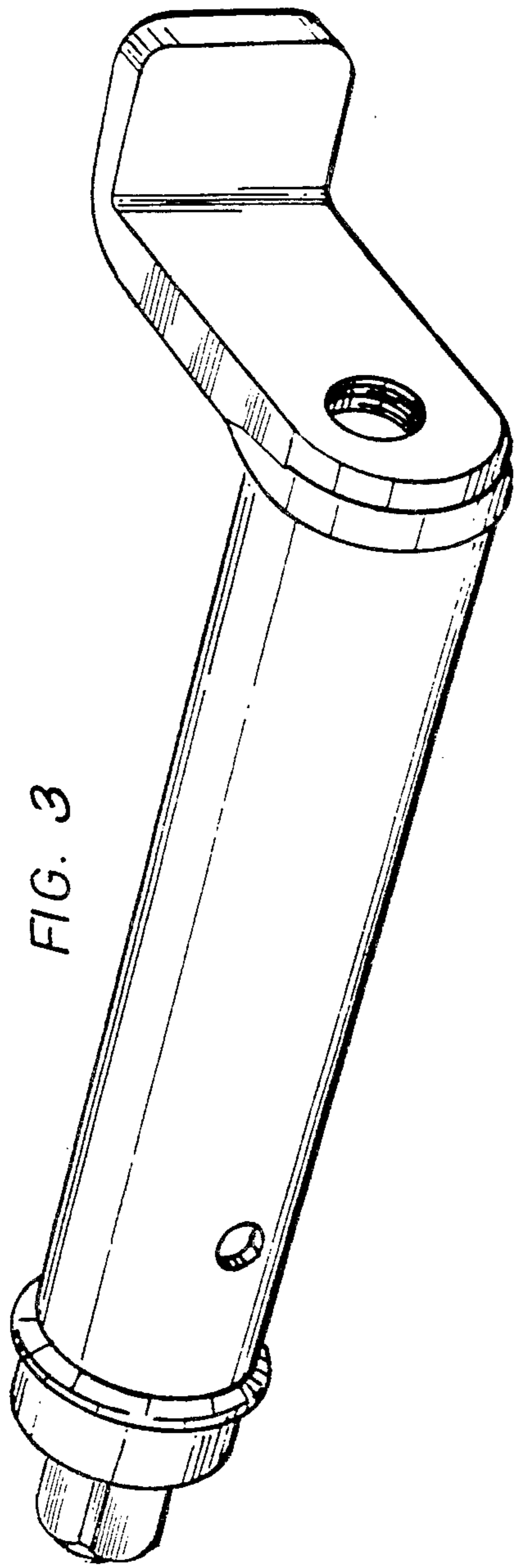


FIG. 1

FIG. 2





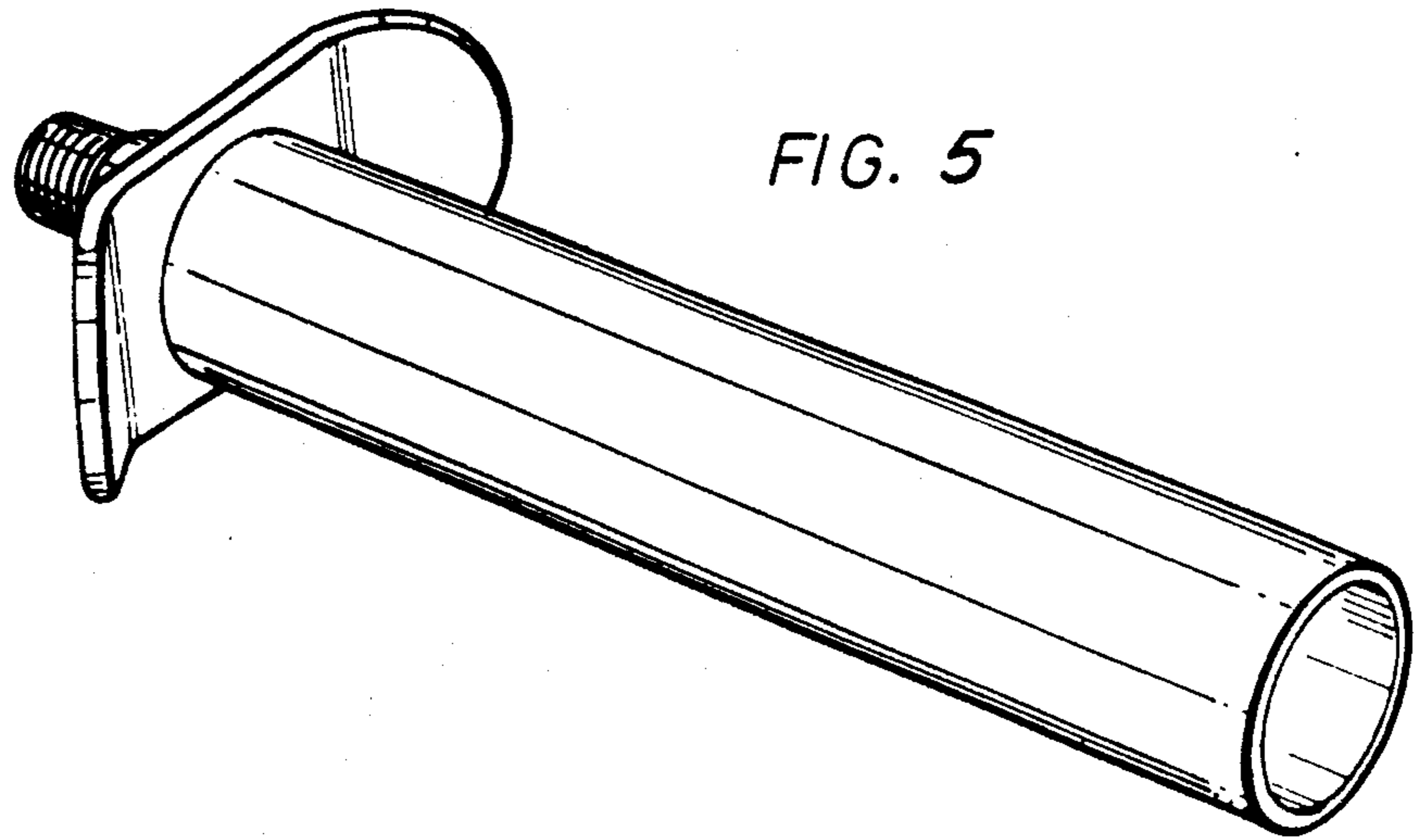


FIG. 5

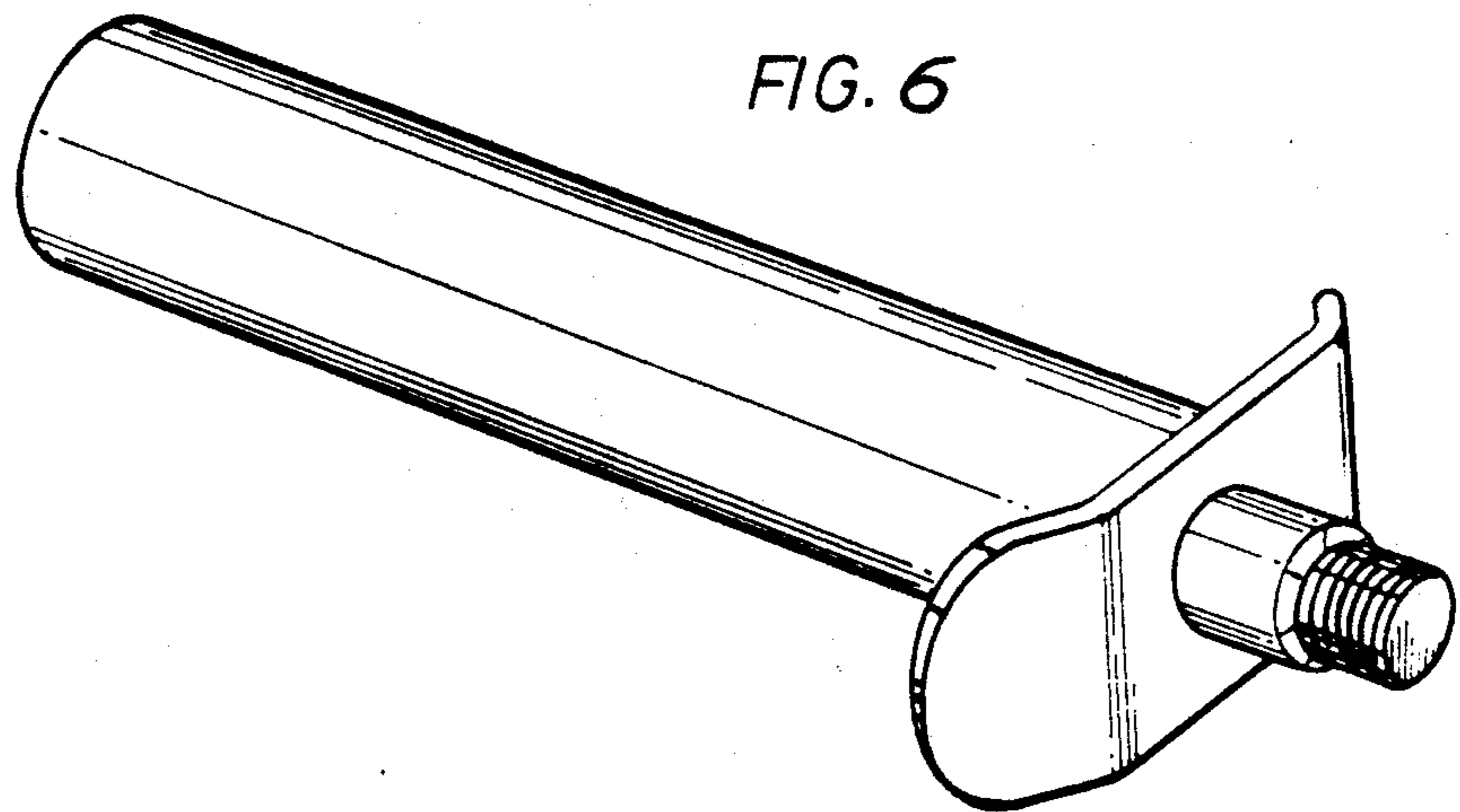


FIG. 6

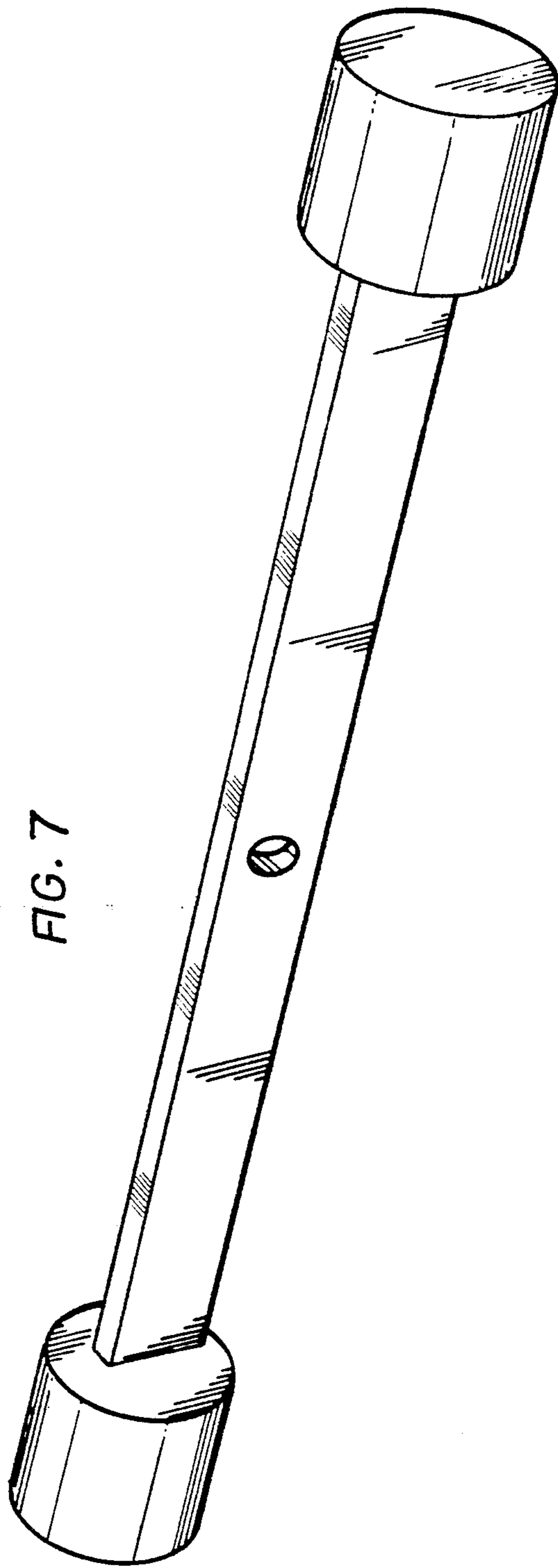


FIG. 7