

[54] **TABLE**

[75] **Inventor: H. Thomas Keller, High Point, N.C.**

[73] **Assignee: Bernhardt Industries, Lenoir, N.C.**

[**] **Term: 14 Years**

[21] **Appl. No.: 723,512**

[22] **Filed: Apr. 15, 1985**

[52] **U.S. Cl. D6/488; D6/484**

[58] **Field of Search D6/449, 450, 477, 478, D6/479, 480, 484, 488**

[56] **References Cited**

U.S. PATENT DOCUMENTS

- D. 151,701 11/1948 Lux D6/488
- D. 195,037 4/1963 Adkinson D6/488
- D. 232,403 8/1974 Martinelli D6/488 X

Primary Examiner—Bruce W. Dunkins

[57] **CLAIM**

The ornamental design for a table, as shown and described.

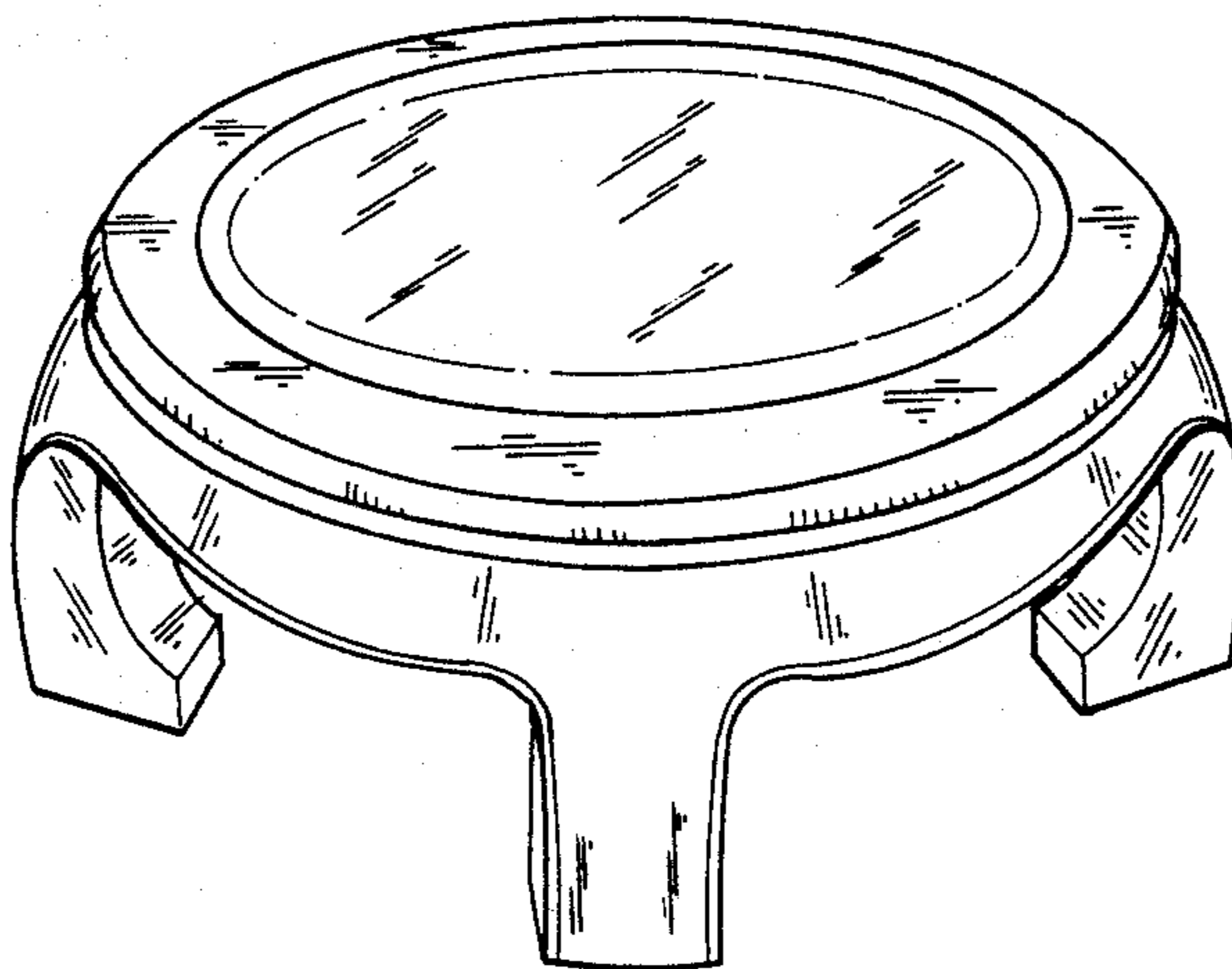
DESCRIPTION

FIG. 1 is a perspective view of a table embodying my design;

FIG. 2 is an elevational view thereof; and

FIG. 3 is a top plan view thereof.

FIGS. 2 and 3 on the drawing have been drawn on an enlarged scale with respect to FIG. 1.



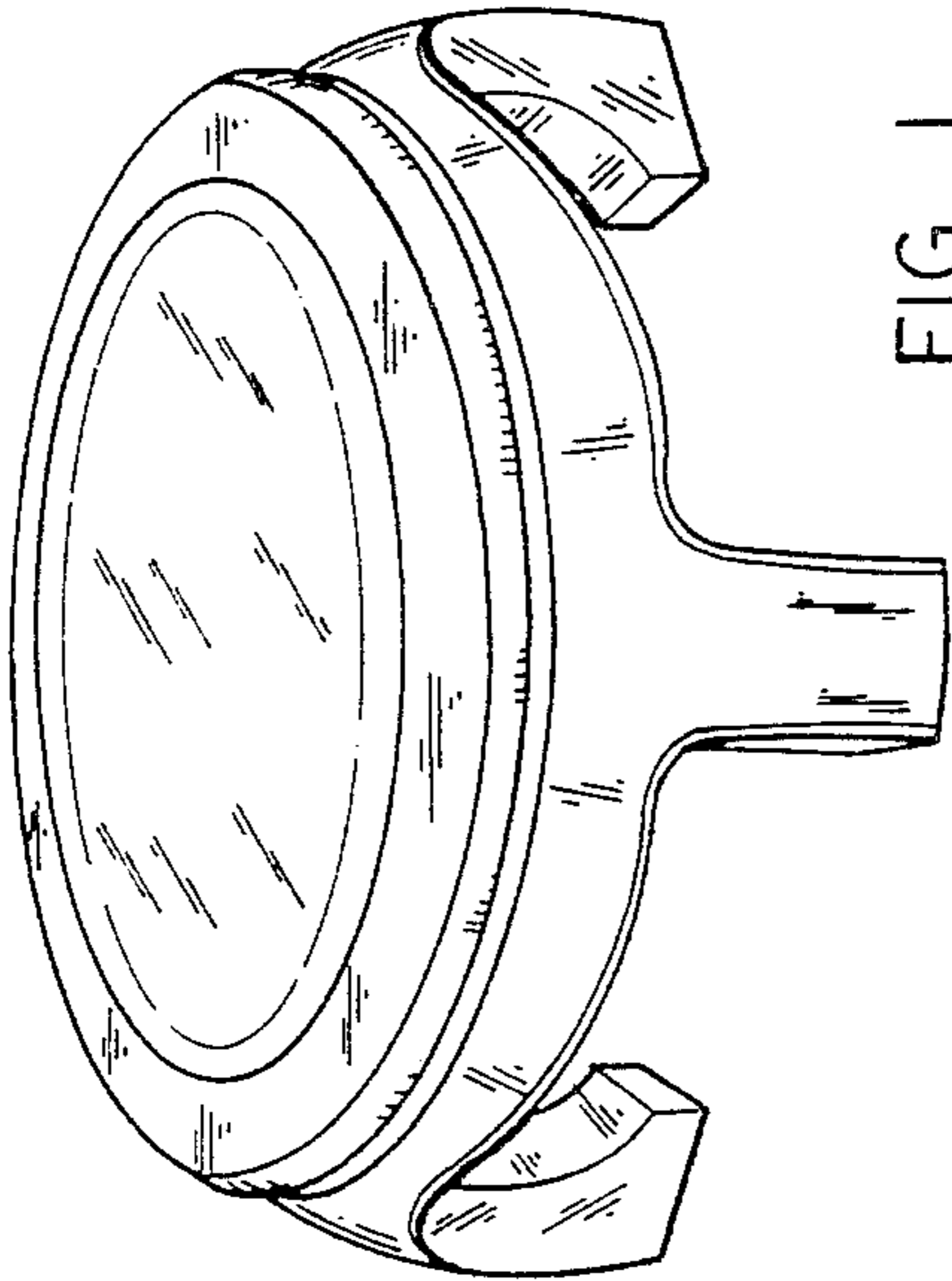


FIG. 1

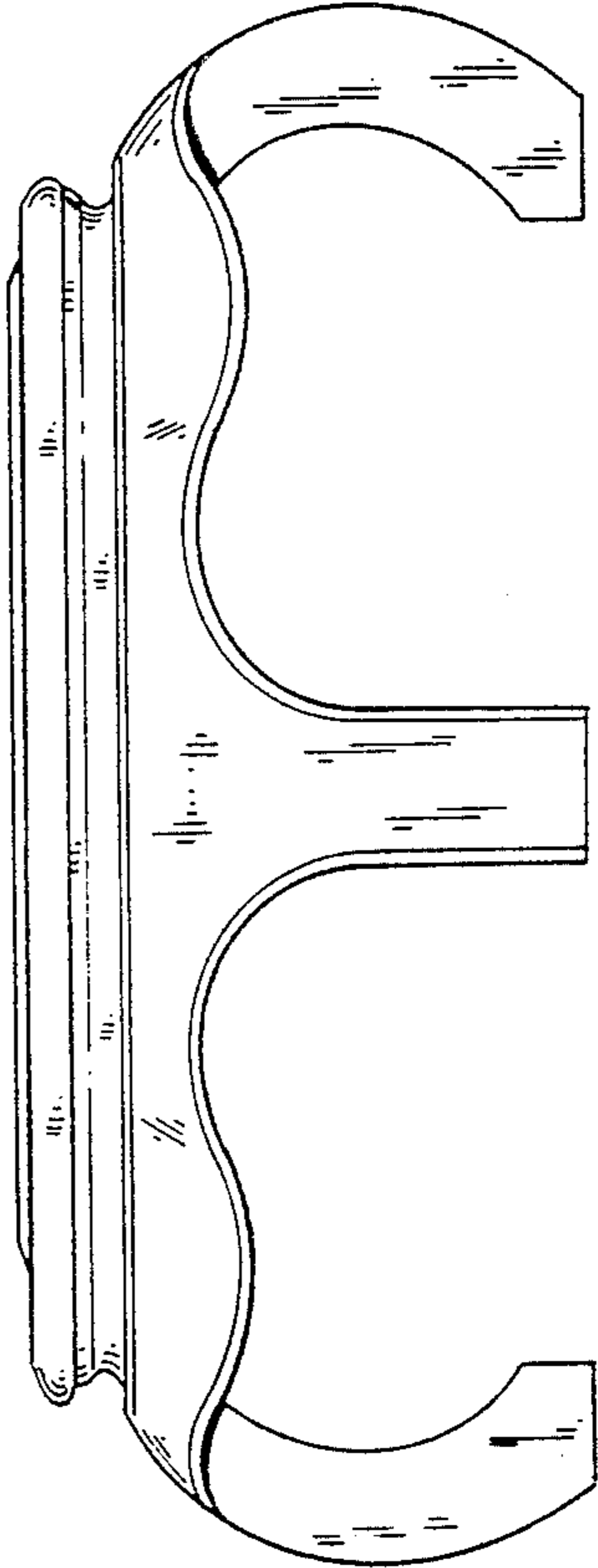


FIG. 2

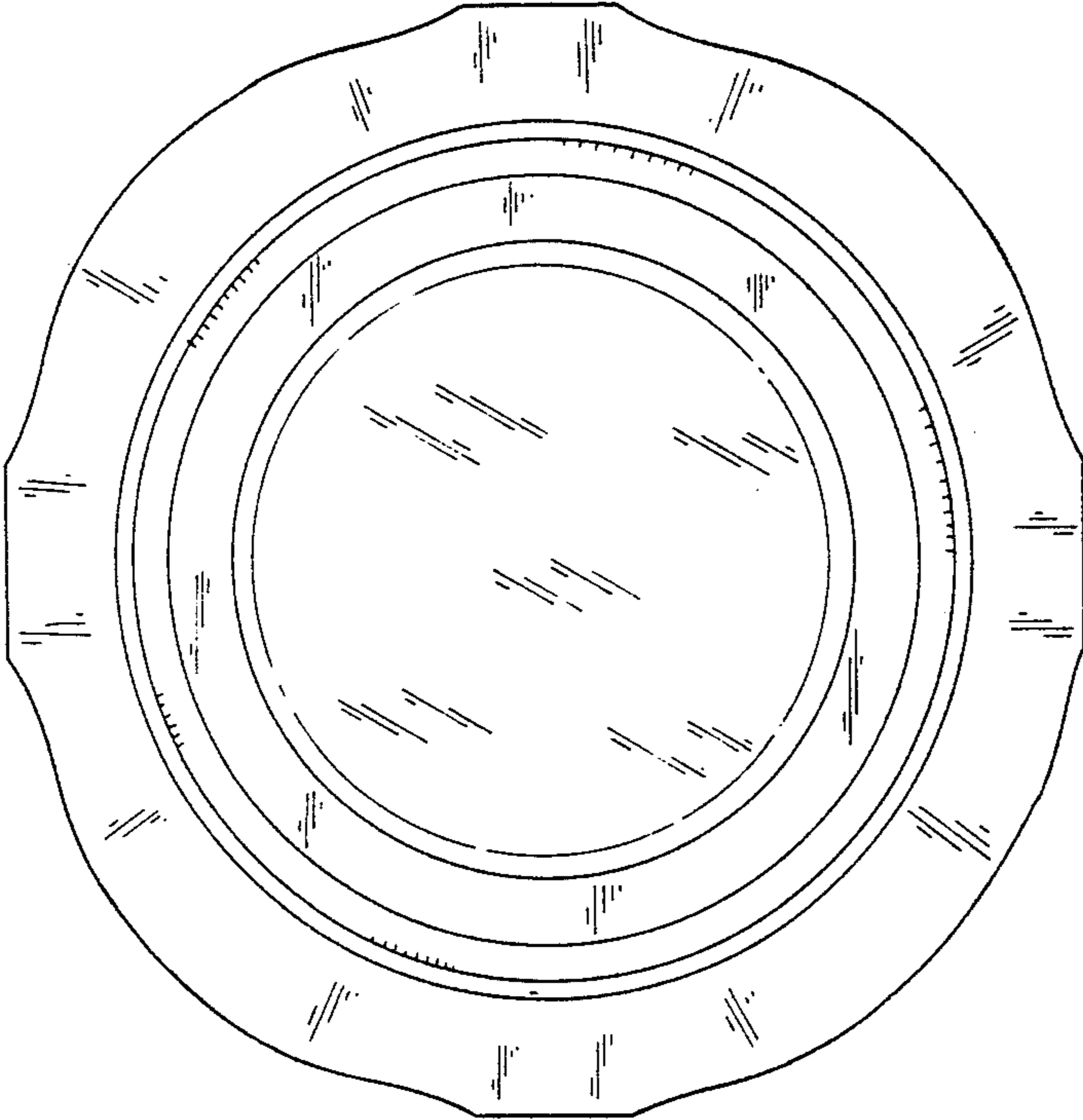


FIG. 3