

[54] **TABLE**

[75] **Inventor: H. Thomas Keller, High Point, N.C.**

[73] **Assignee: Bernhardt Industries, Lenoir, N.C.**

[**] **Term: 14 Years**

[21] **Appl. No.: 723,515**

[22] **Filed: Apr. 15, 1985**

[52] **U.S. Cl. D6/430; D6/484;
D6/488**

[58] **Field of Search D6/430, 431, 449, 450,
D6/478, 479, 480, 484, 487, 488**

[56] **References Cited**

U.S. PATENT DOCUMENTS

- D. 151,701 11/1948 Lux D6/488
- D. 178,093 6/1956 Van Koert D6/430
- D. 195,037 4/1963 Adkinson D6/488
- D. 237,335 10/1975 Ginat D6/430

Primary Examiner—Bruce W. Dunkins

[57] **CLAIM**

The ornamental design for a table, as shown and described.

DESCRIPTION

FIG. 1 is a perspective view of a table embodying my design;

FIG. 2 is a side elevational view thereof; and

FIG. 3 is an end elevational view thereof.

The side and end of the table not shown are like the side and end shown in FIGS. 2 and 3 respectively.

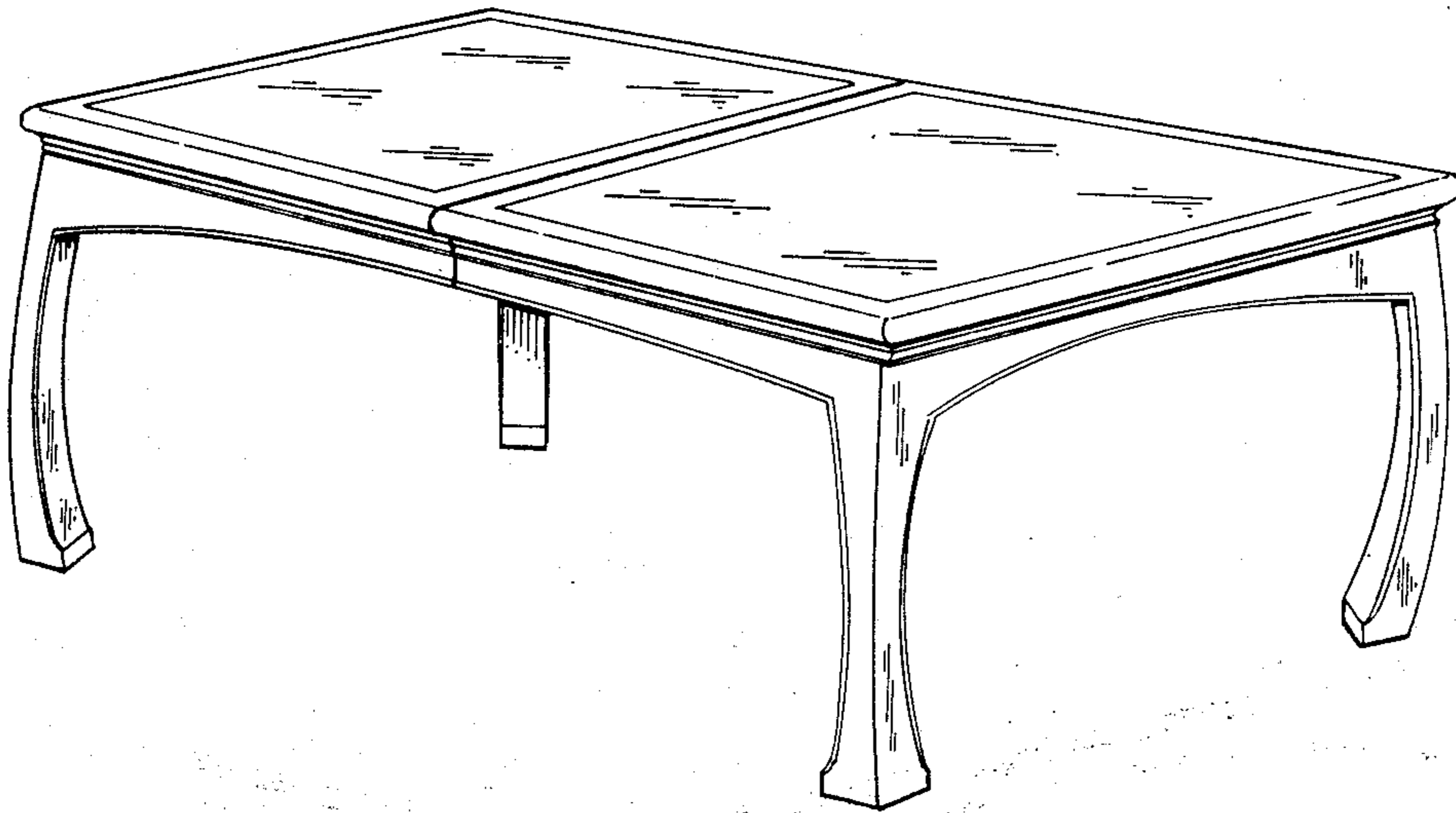


FIG. 3

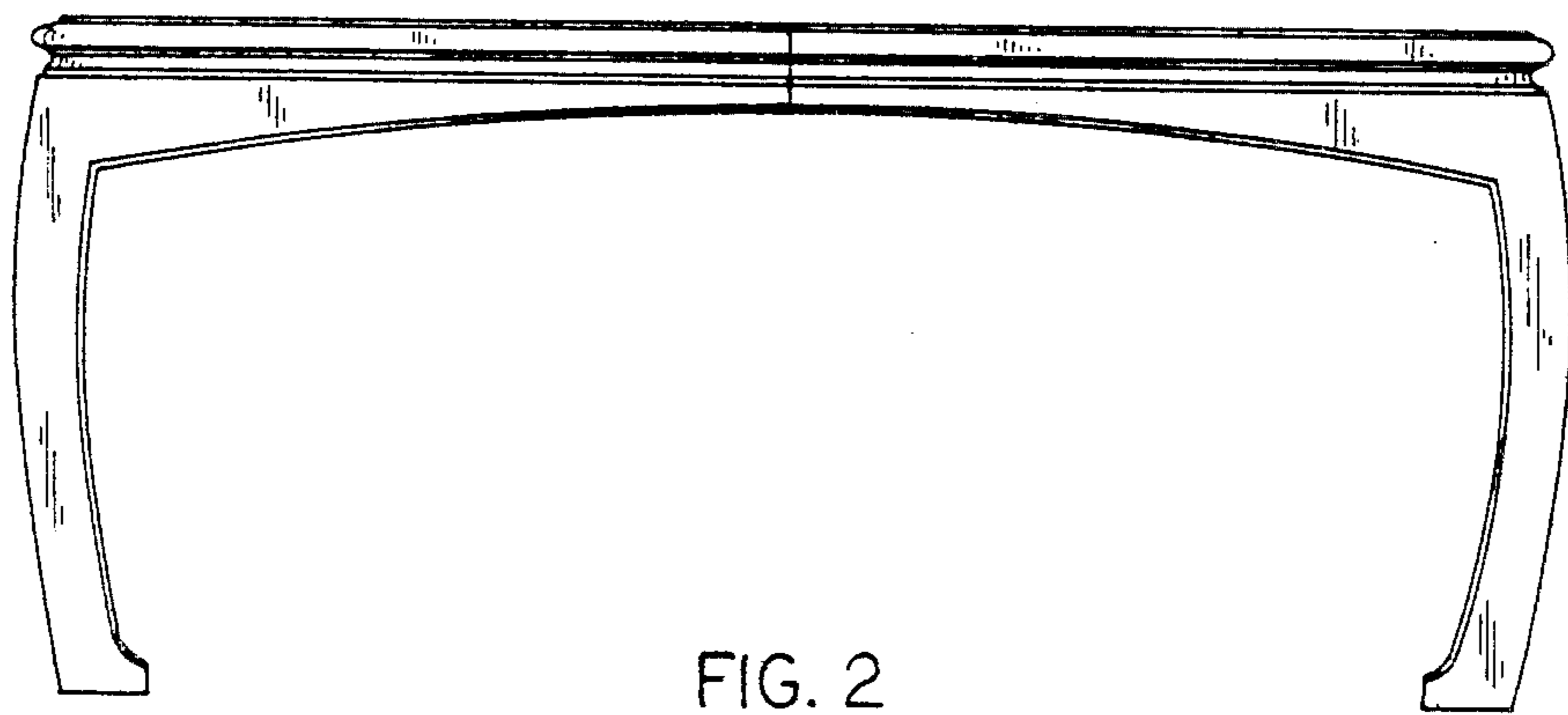
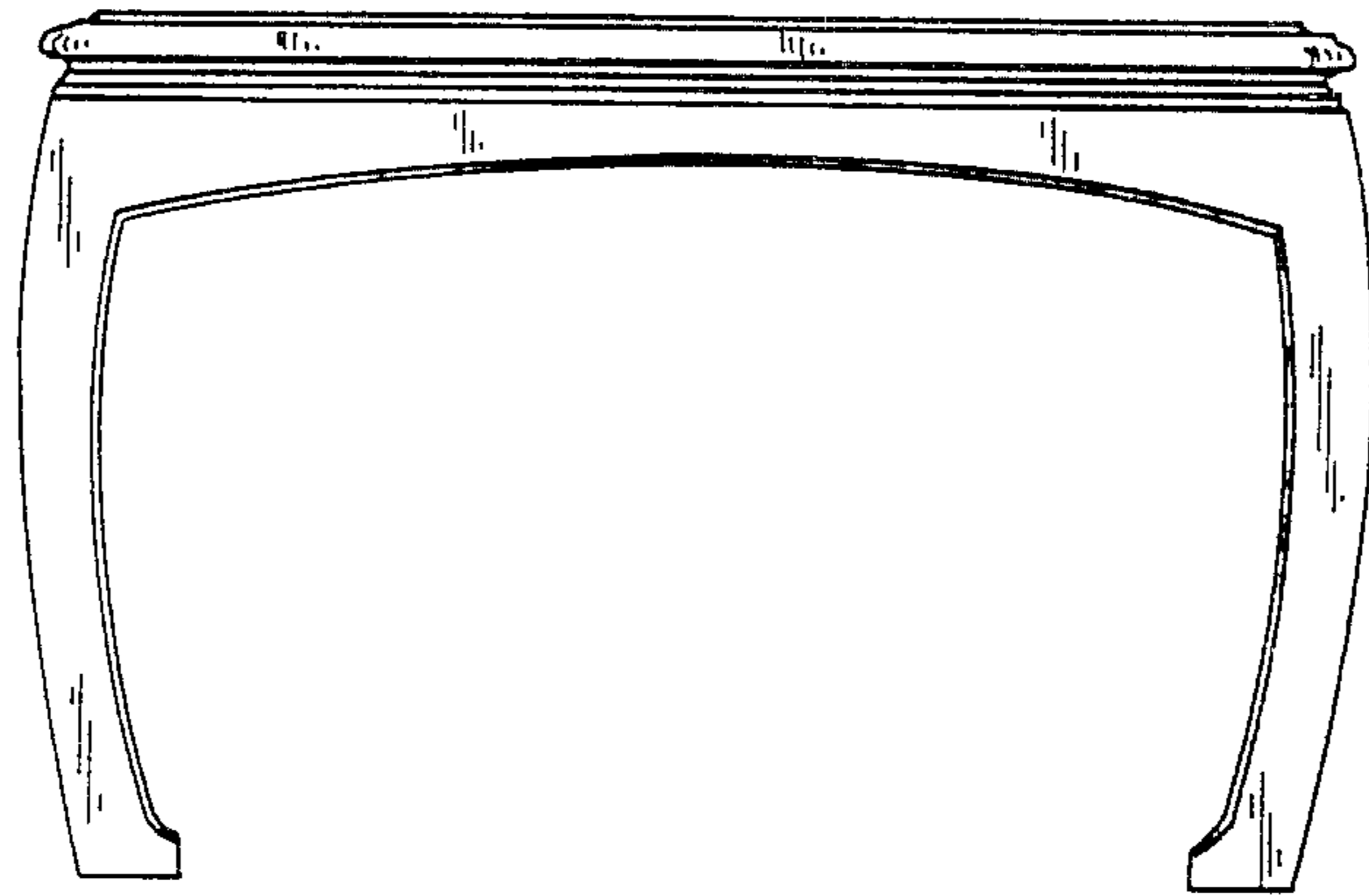


FIG. 2

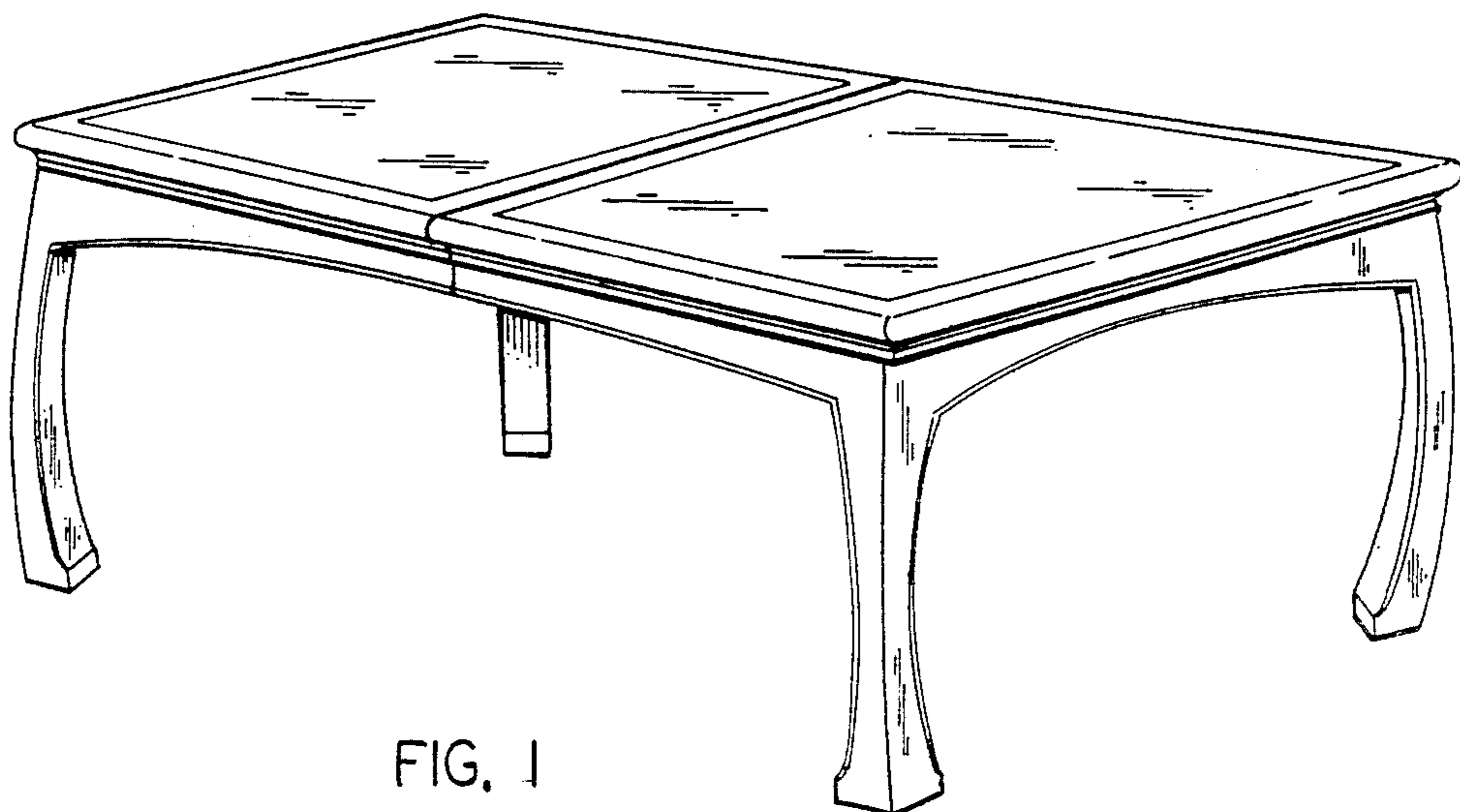


FIG. 1