

[54] MAIL BOX

[76] Inventor: Kenneth G. Fisher, 40379 Road 96, Dinuba, Calif. 93618

[**] Term: 14 Years

[21] Appl. No.: 720,959

[22] Filed: Apr. 8, 1985

[52] U.S. Cl. D99/30; D21/114; D99/32

[58] Field of Search D99/30, 41, 29, 31, D99/32, 37; D30/3; D9/307, 322; D21/114; D6/557; 232/17

[56] References Cited

U.S. PATENT DOCUMENTS

- D. 50,453 3/1917 Towle D9/311
- D. 66,182 12/1924 George D30/3

- D. 92,913 7/1934 Mahoney D99/32
- D. 158,292 4/1950 Keeler D99/30
- D. 166,749 5/1952 Heinz D99/30
- D. 256,287 8/1980 McConnell D99/30
- 4,359,185 11/1982 Castro D99/30

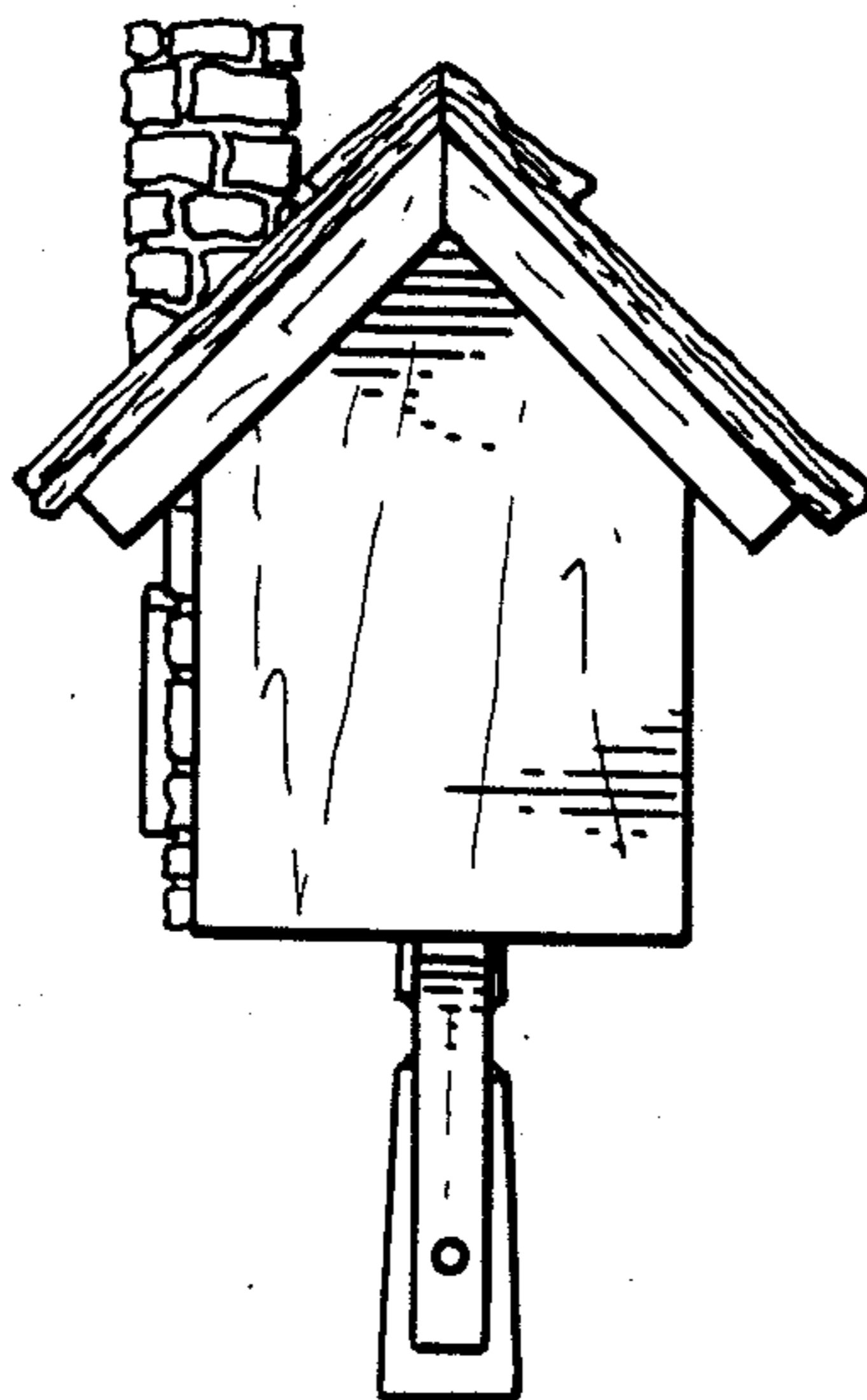
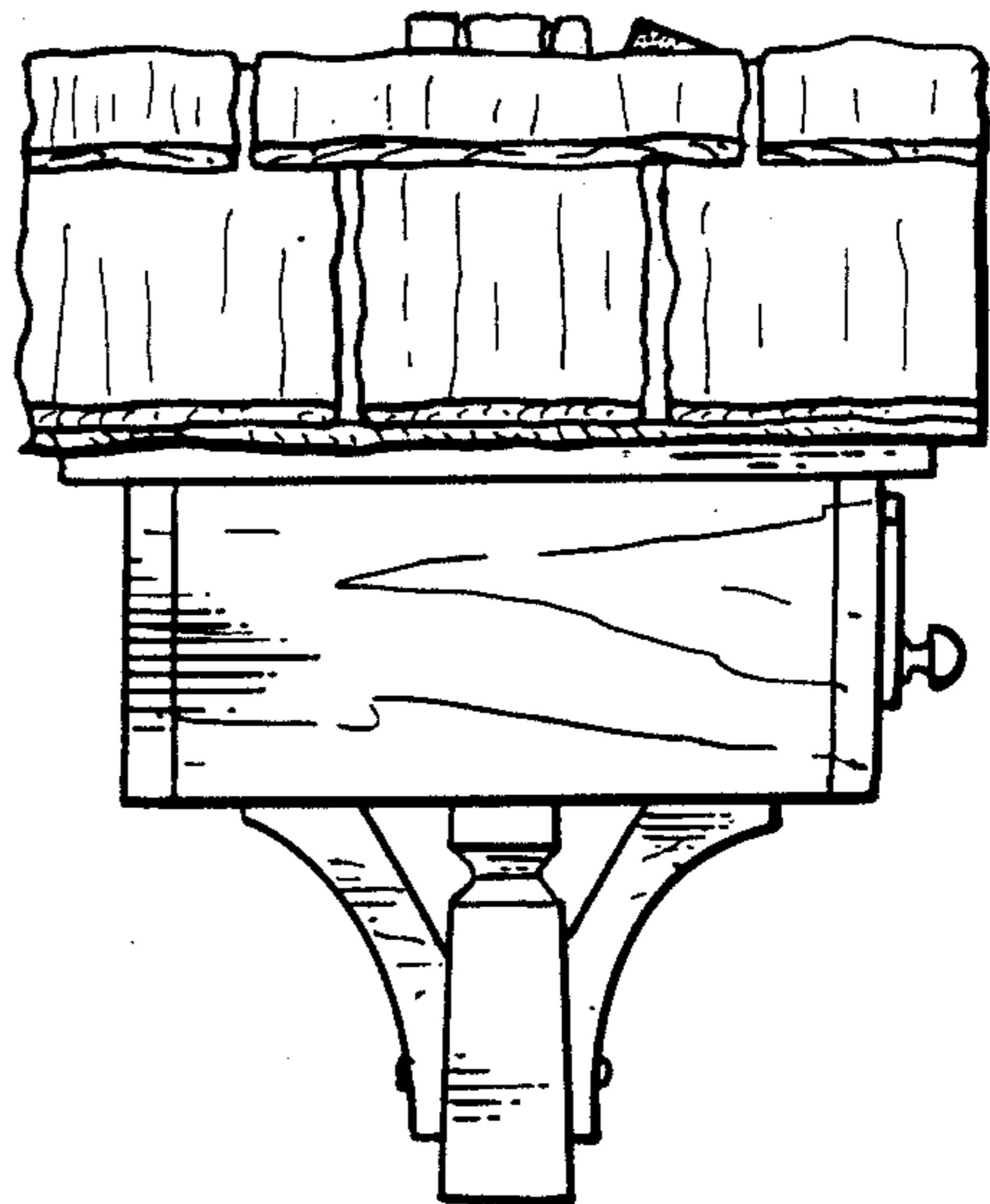
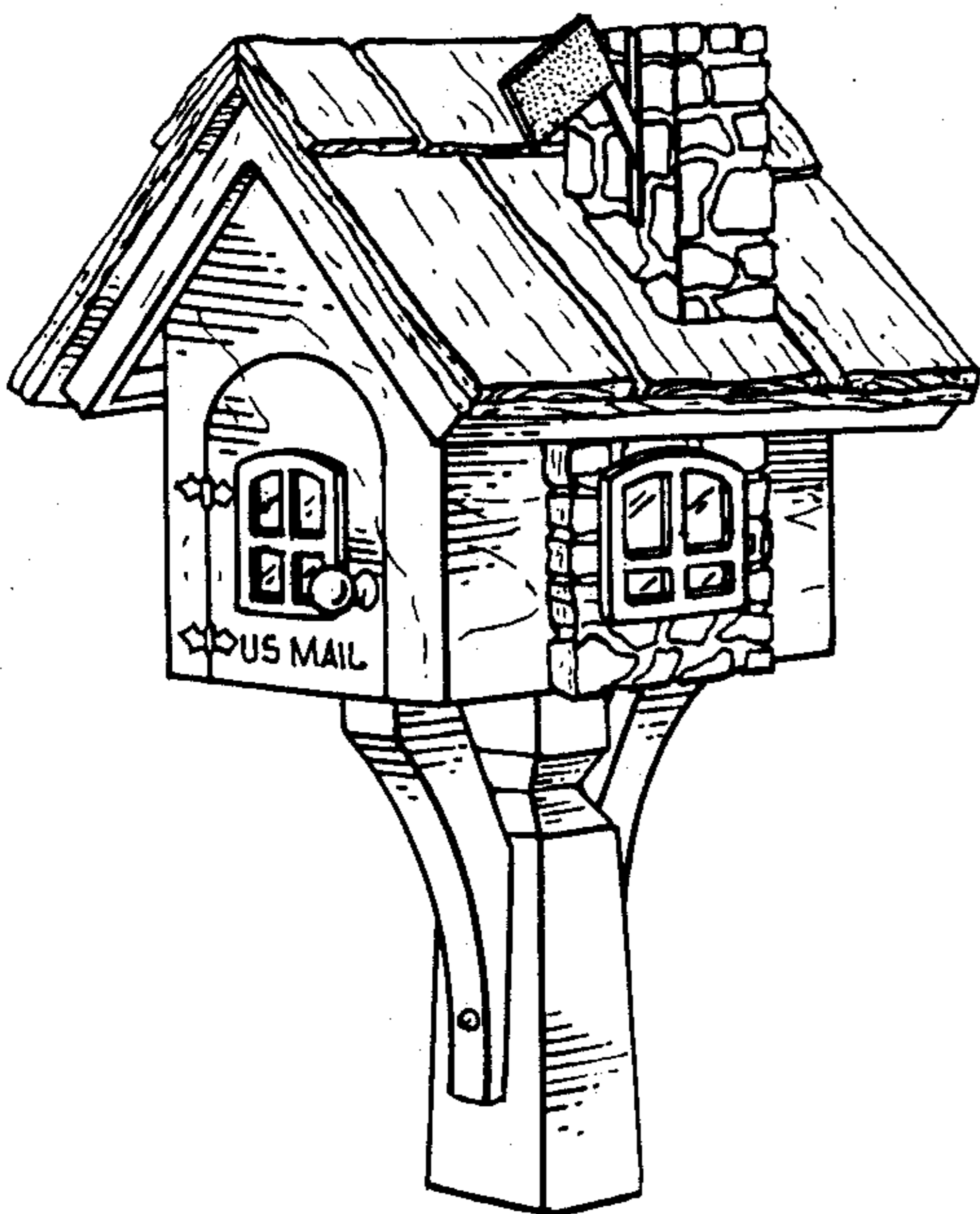
Primary Examiner—Winifred E. Herrmann

[57] CLAIM

The ornamental design for a mail box, as shown.

DESCRIPTION

FIG. 1 is a top, front, and right side perspective view of a mail box showing my new design; FIG. 2 is a right side elevational view thereof; FIG. 3 is a top plan view thereof; FIG. 4 is a front elevational view thereof; FIG. 5 is a left side elevational view thereof; FIG. 6 is a rear elevational view thereof; and FIG. 7 is a bottom plan view thereof.



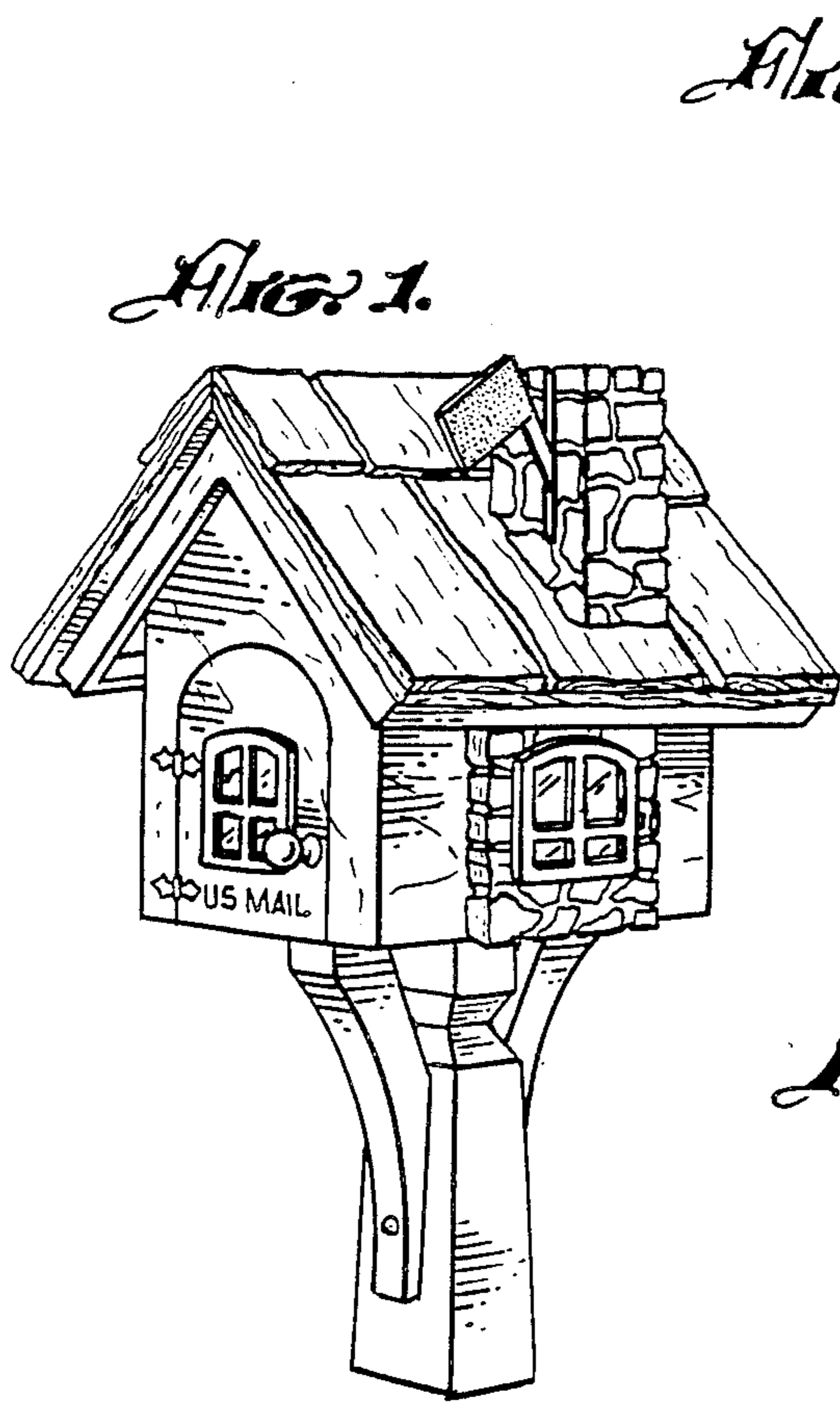


FIG. 3.

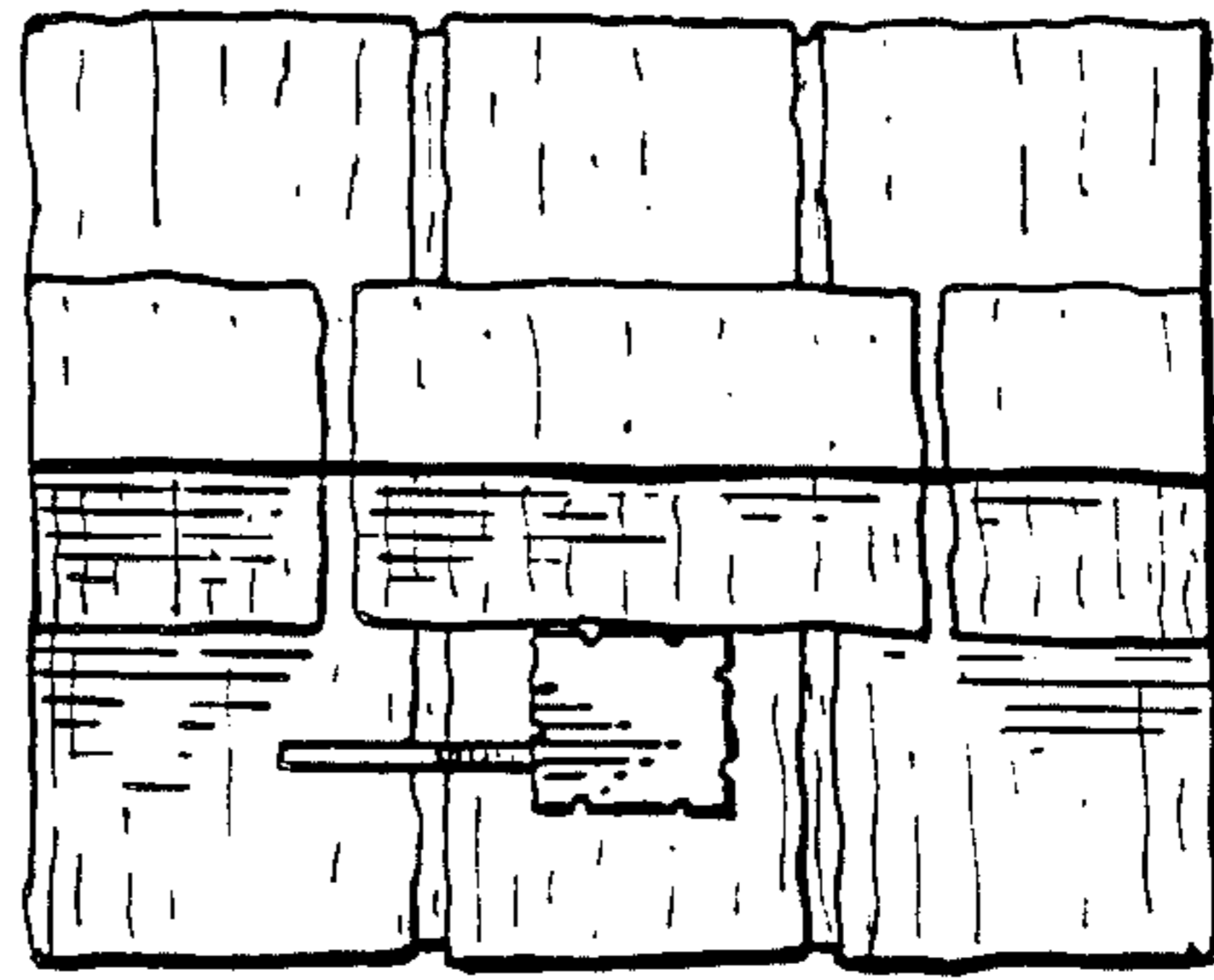


FIG. 2.

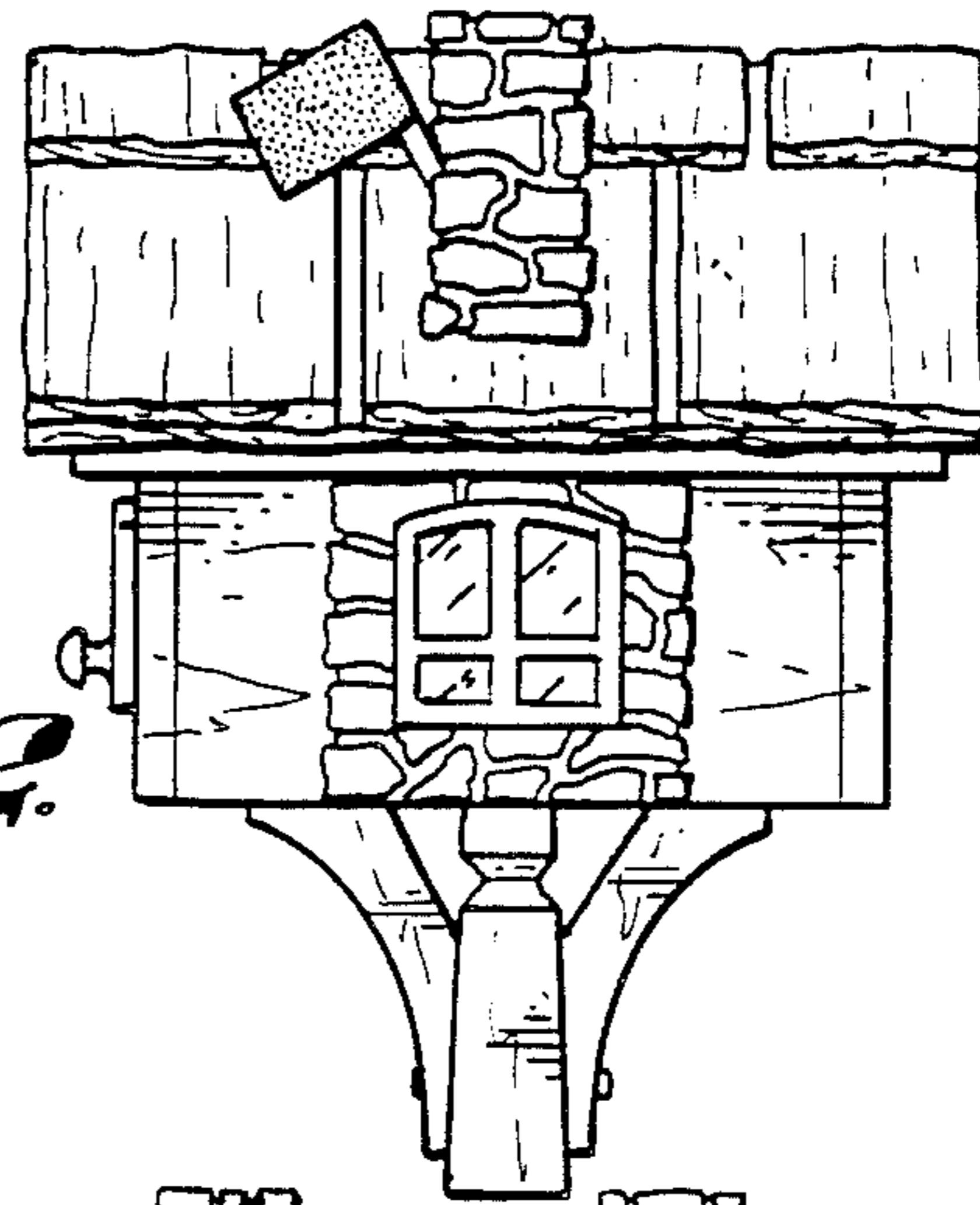


FIG. 4.

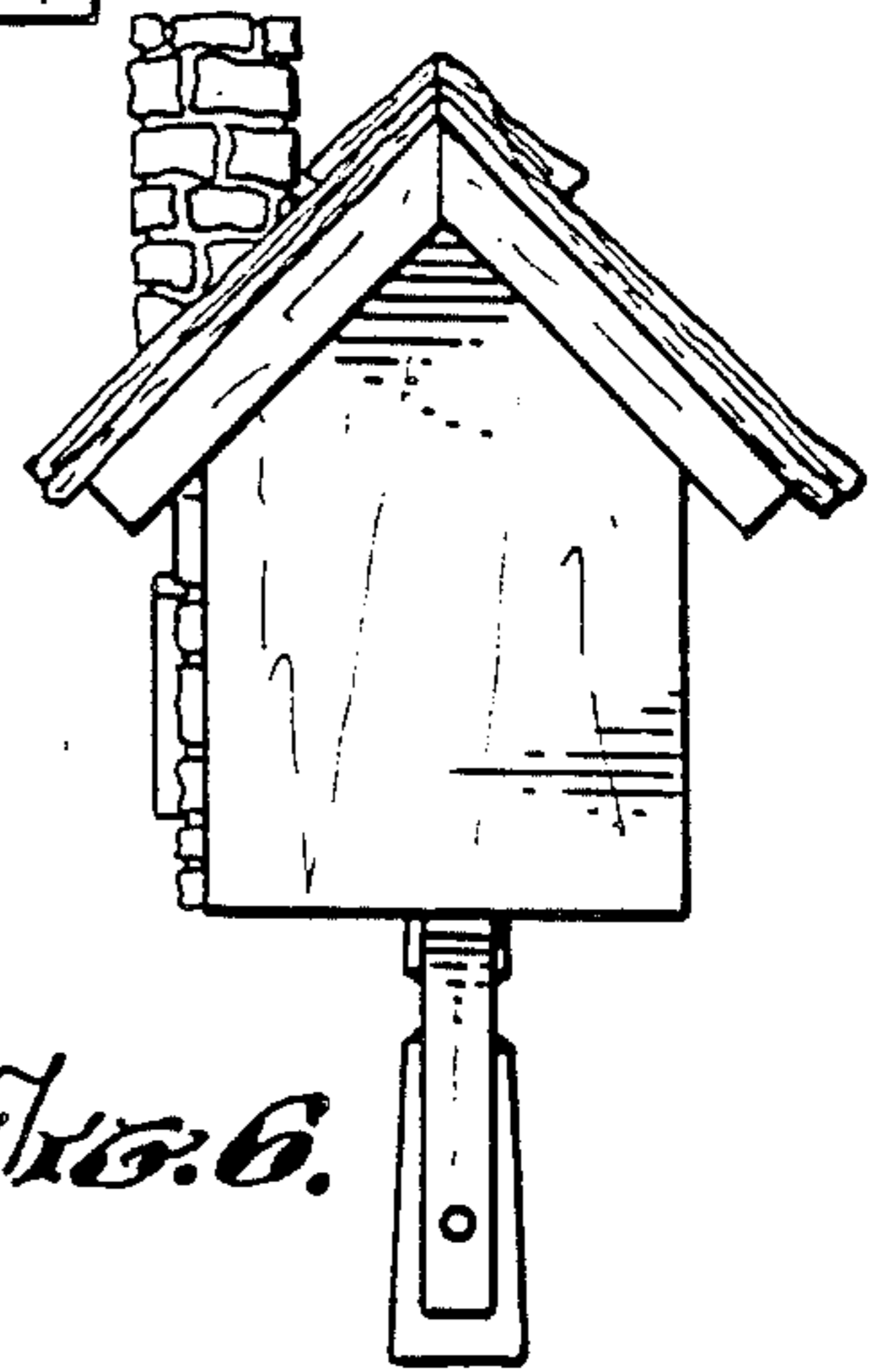
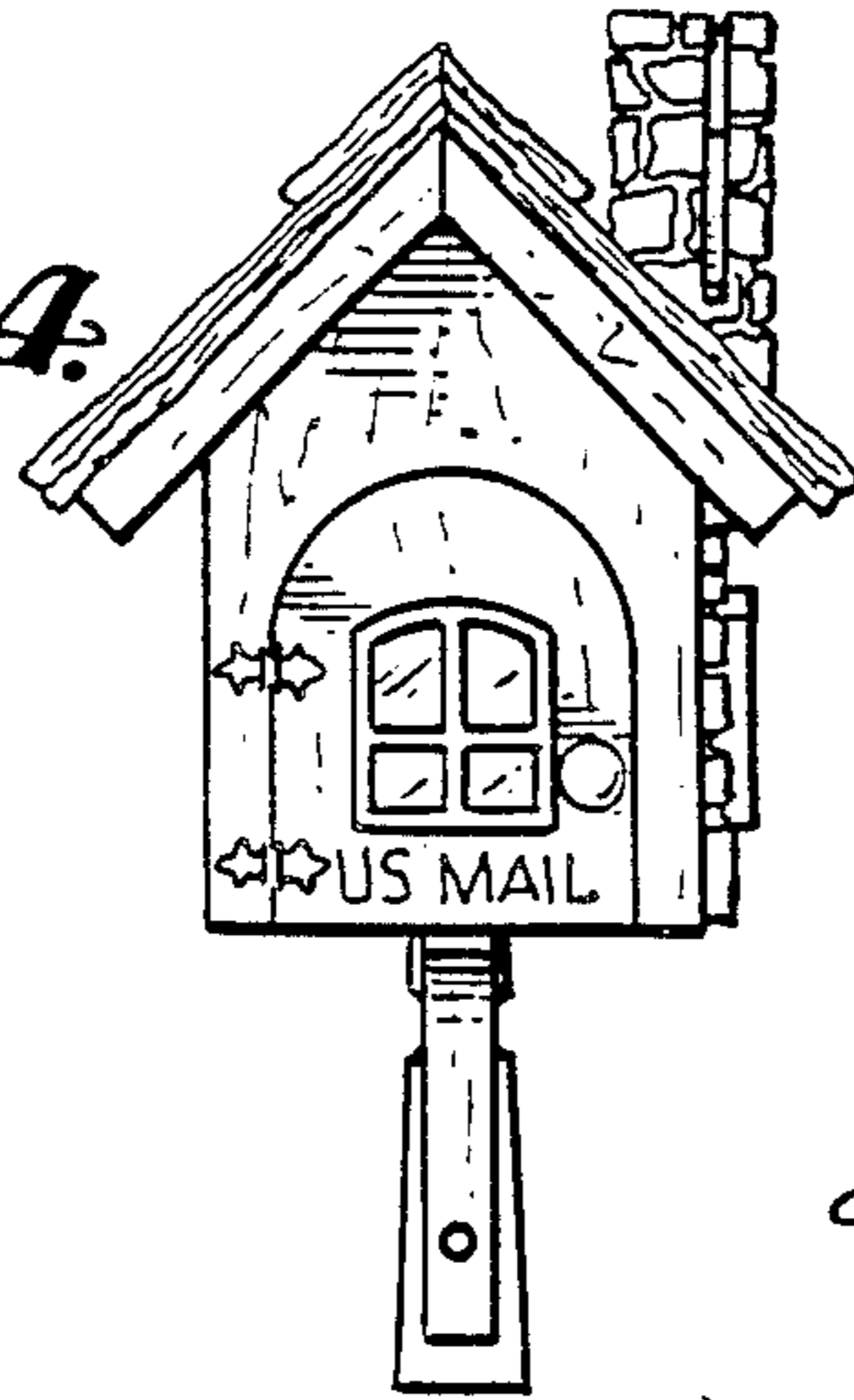


FIG. 5.

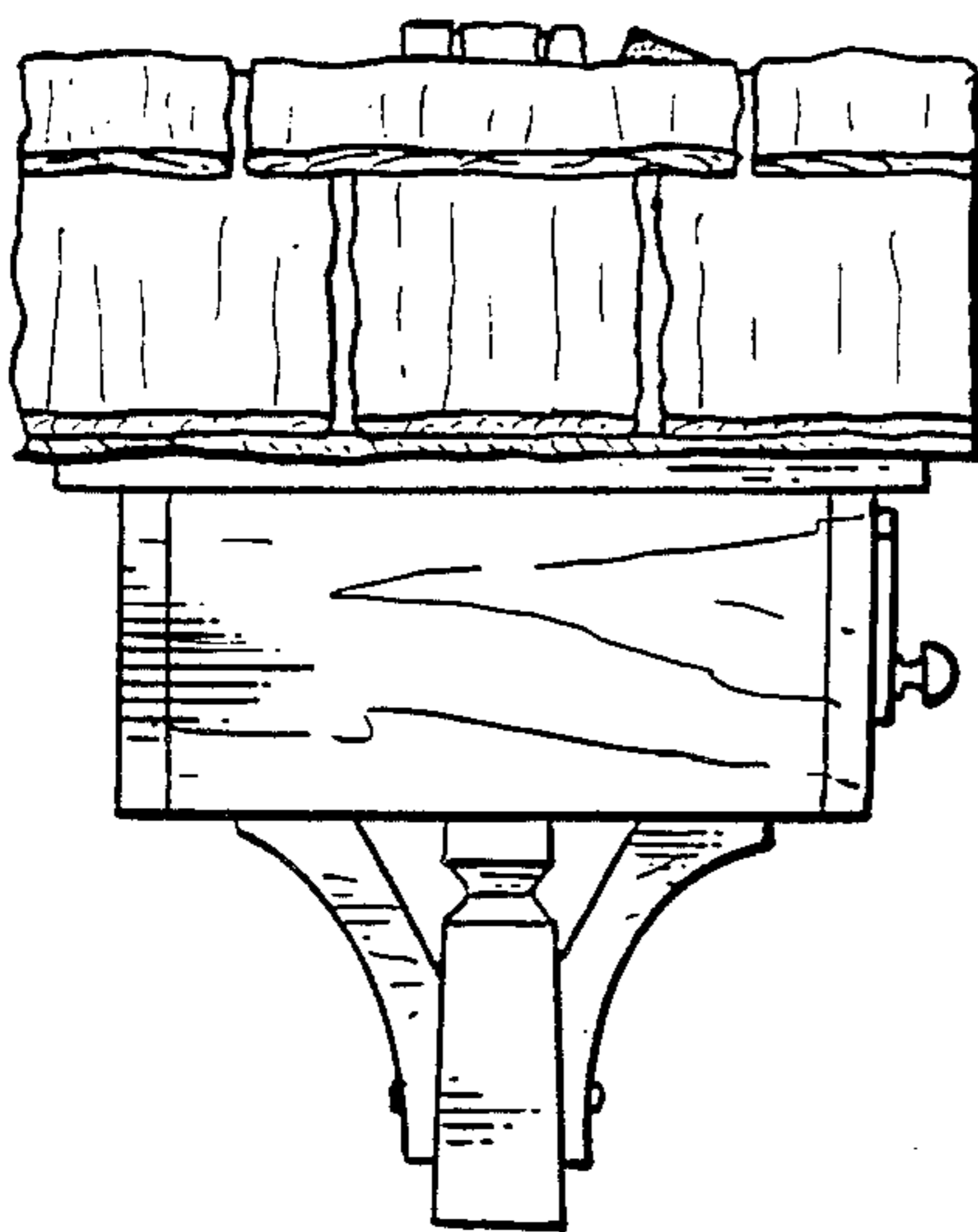


FIG. 6.

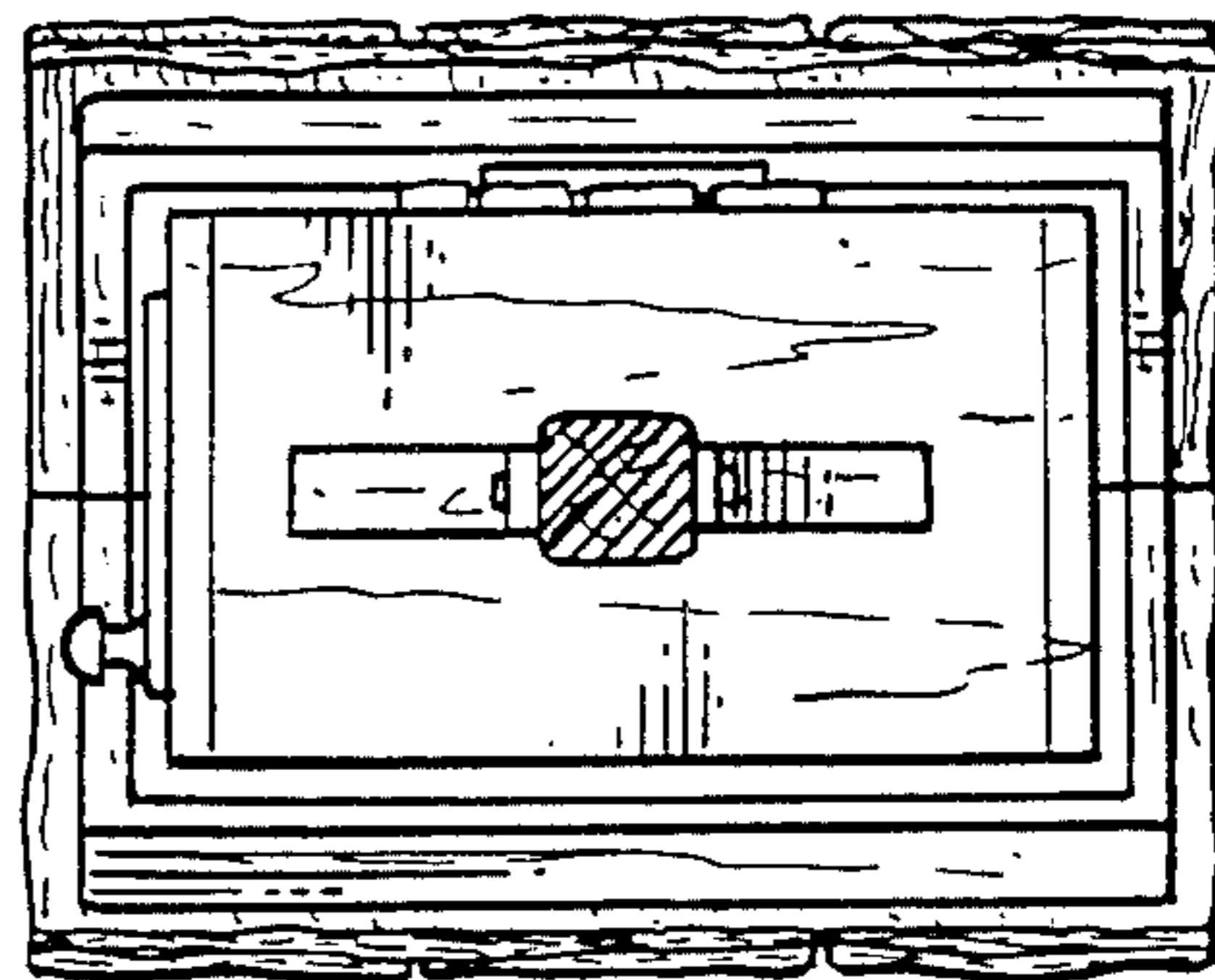


FIG. 7.