

[54] IRON

[75] Inventor: Carlo Bertani, Montechiarugolo, Italy

[73] Assignee: B e B S.r.l., Parma, Italy

[**] Term: 14 Years

[21] Appl. No.: 808,641

[22] Filed: Dec. 13, 1985

[30] Foreign Application Priority Data

Sep. 9, 1985 [IT] Italy 22949/85[U]

[52] U.S. Cl. D32/70

[58] Field of Search D32/68-73;
38/69, 74, 75, 77.1-77.9, 88, 94, 96, 142;
219/245-259, 271-276

[56] References Cited

U.S. PATENT DOCUMENTS

D. 262,771 1/1982 Hanson D32/70

Primary Examiner—Catherine E. Kemper
Attorney, Agent, or Firm—Balogh, Osann, Kramer,
Dvorak, Genova & Traub

[57] CLAIM

The ornamental design for an iron, as shown and described.

DESCRIPTION

FIG. 1 is a perspective view of an iron, showing minute design;

FIG. 2 is a side elevational view thereof;

FIG. 3 is a bottom view thereof;

FIG. 4 is a front elevational view thereof; and

FIG. 5 is a rear elevational view thereof.

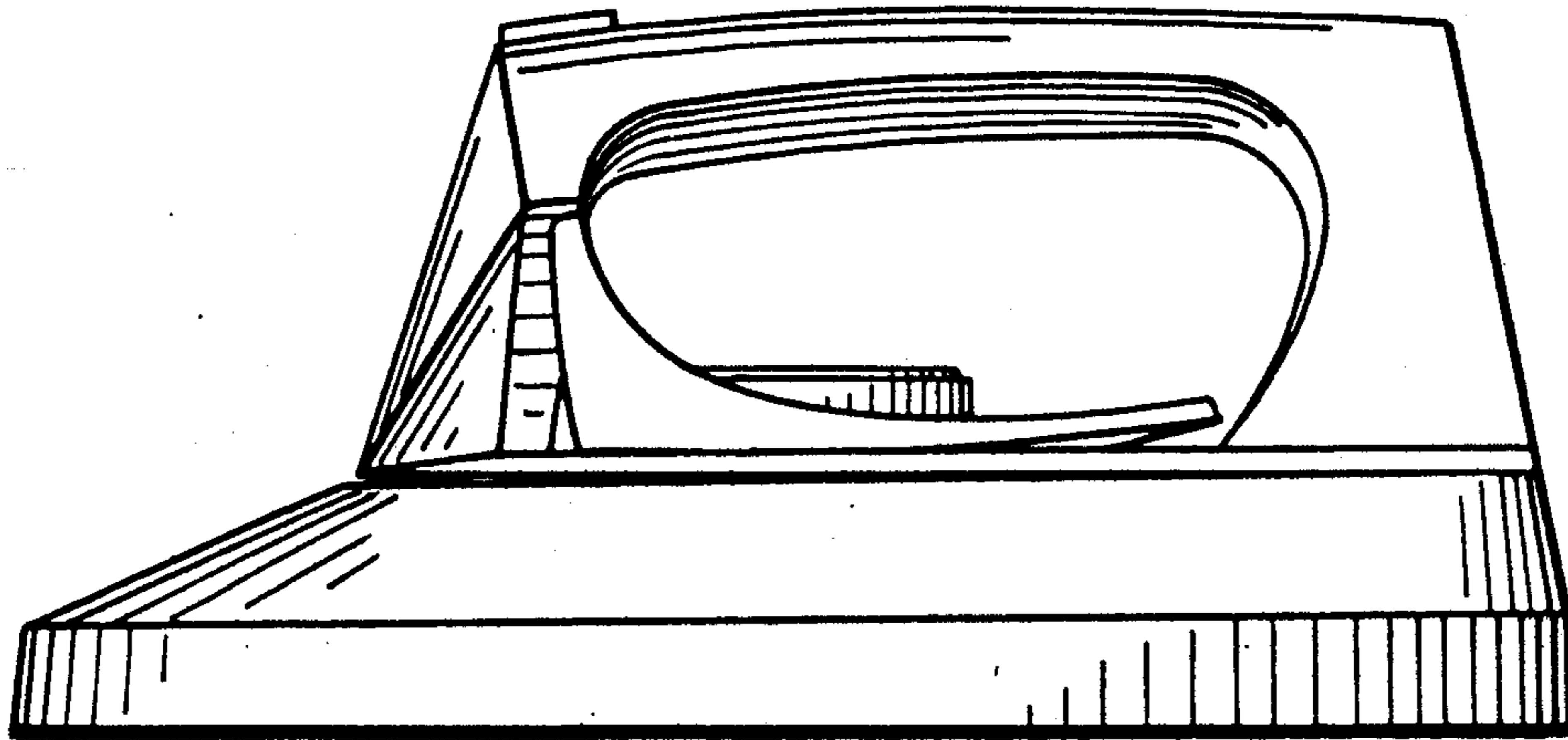


FIG. 1

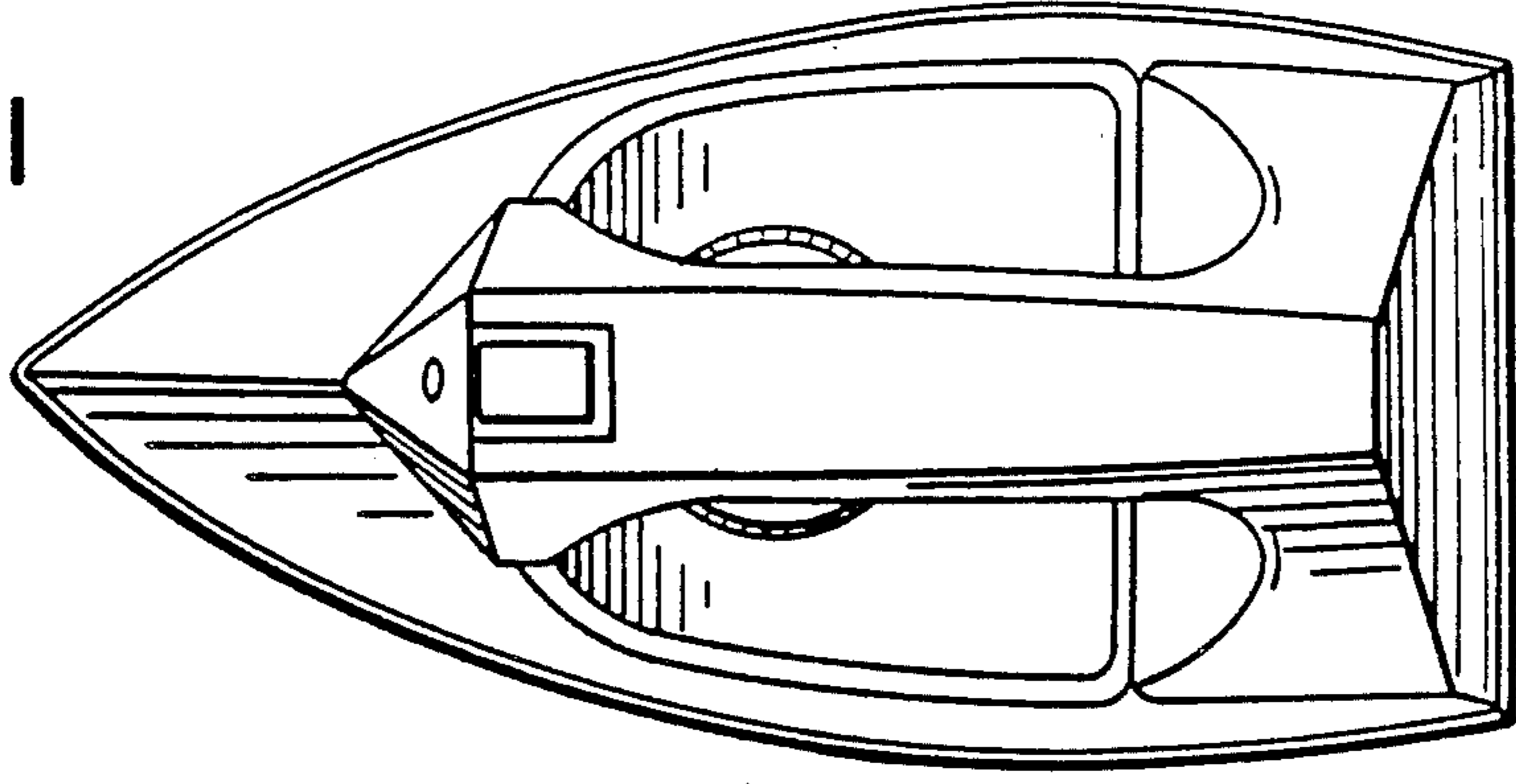


FIG. 2

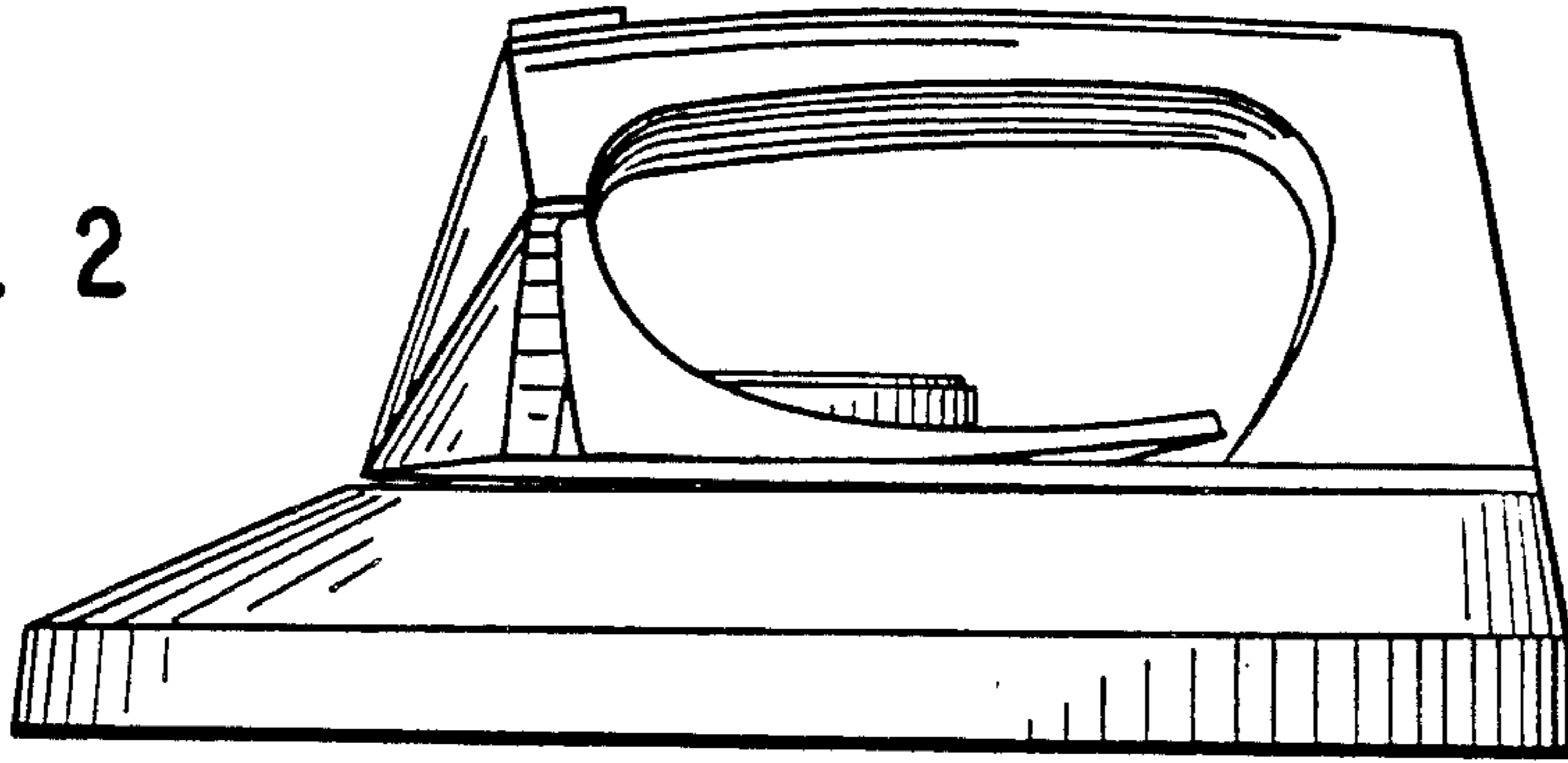


FIG. 3

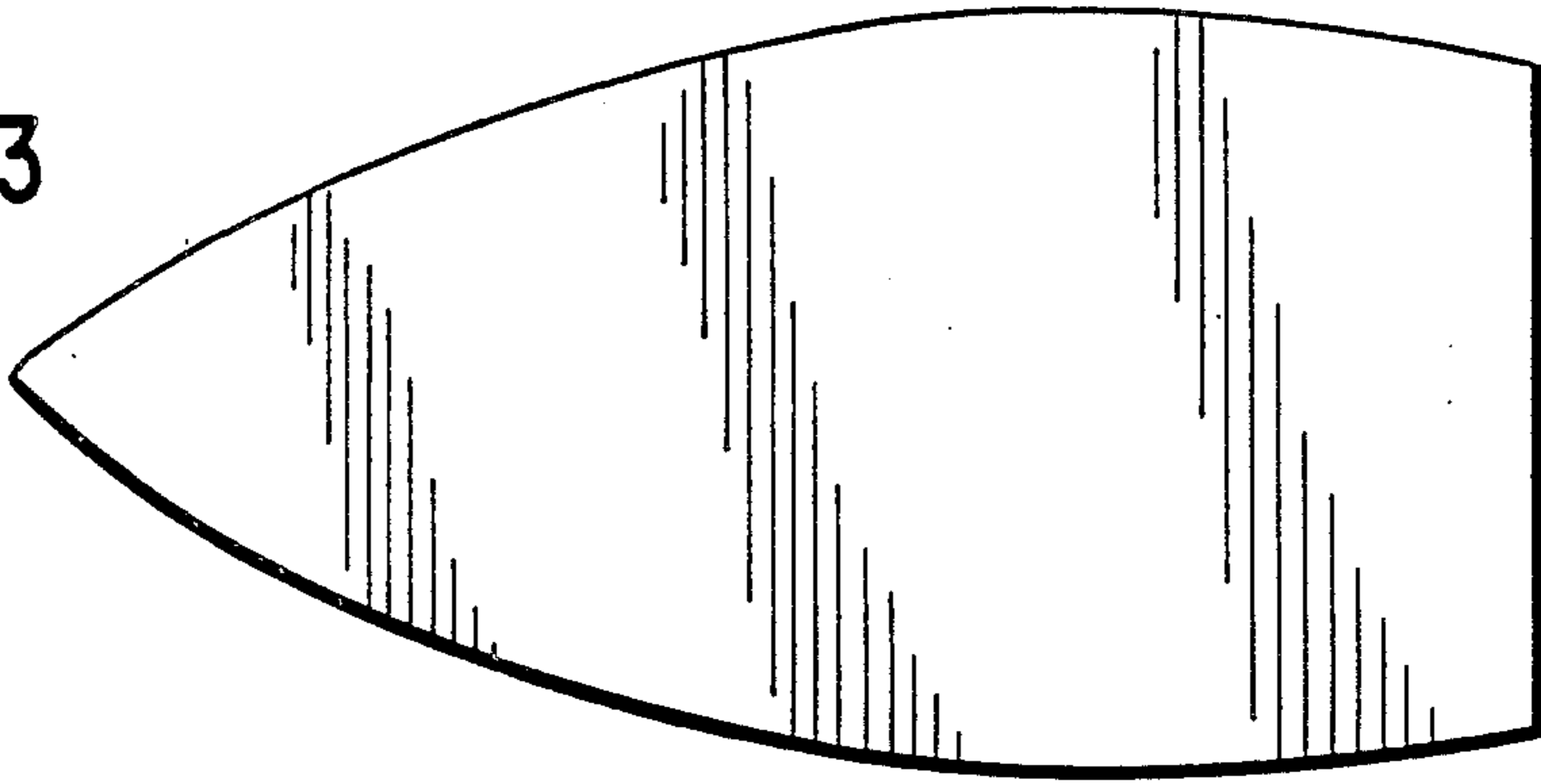


FIG. 4

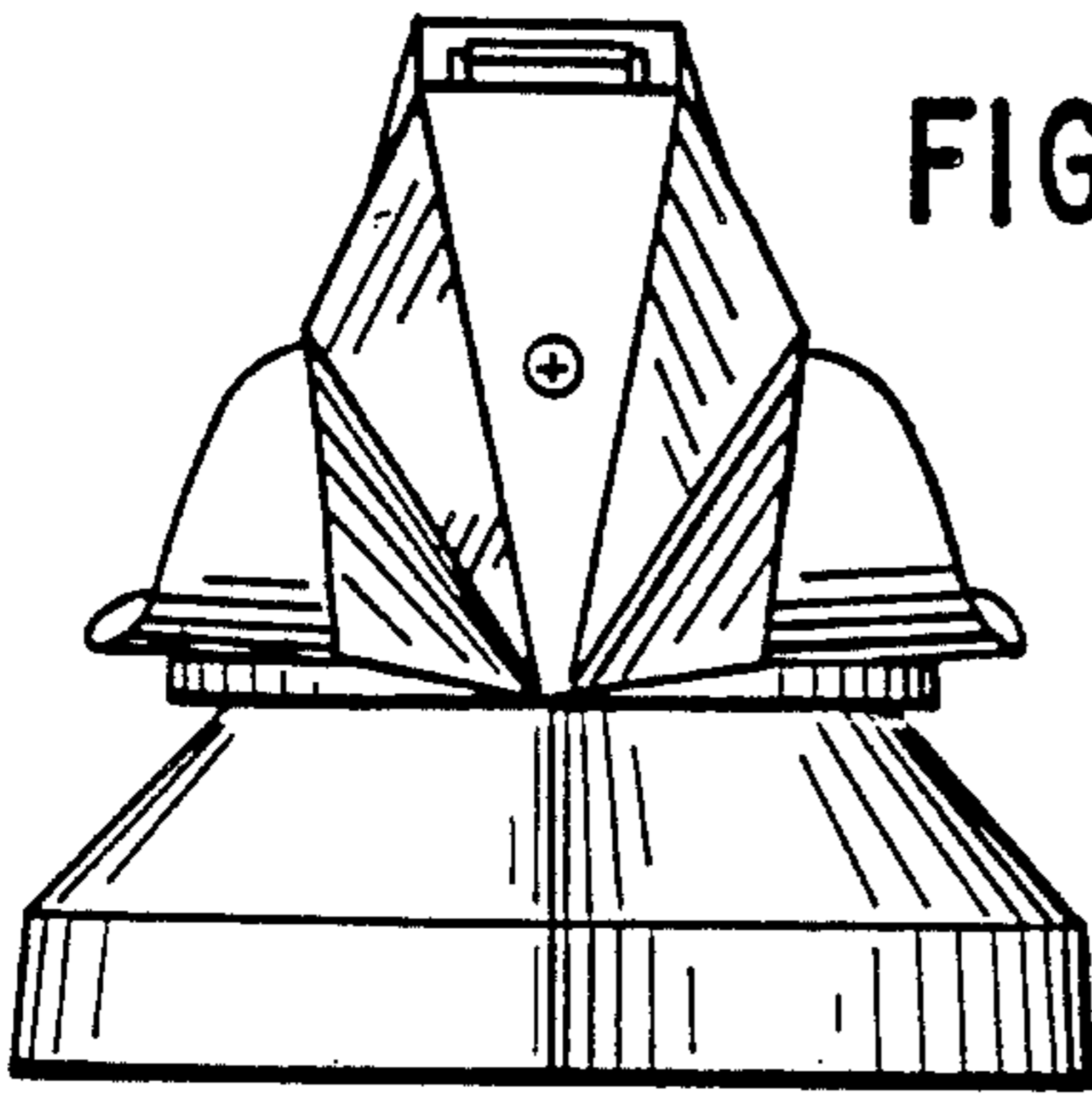


FIG. 5

