

[54] MACHINE FOR FLOOR SWEEPING AND SCRUBBING

[75] Inventors: Christopher M. Knowlton; Robert J. O'Hara, both of Moore County, N.C.

[73] Assignee: AAR Brooks & Perkins Corp., Aberdeen, N.C.

[**] Term: 14 Years

[21] Appl. No.: 674,151

[22] Filed: Nov. 23, 1984

Related U.S. Application Data

[63] Continuation-in-part of Ser. No. 642,192, Aug. 20, 1984.

[52] U.S. Cl. D32/4

[58] Field of Search D32/1, 4, 15-16, D32/19, 25, 30-32, 34; 15/49 C, 50 R, 50 C, 78, 79 A, 81-83, 87, 98, 320, 340, 353, 380, 49 R

[56] References Cited

U.S. PATENT DOCUMENTS

D. 189,718 2/1961 Patch D32/16

D. 257,845 1/1981 Peabody et al. D32/16
D. 267,824 2/1983 Mannelly D32/16
D. 273,622 4/1984 Brown et al. D32/16
3,113,332 12/1963 Kasper 15/82
4,369,540 1/1983 Burgoon et al. 15/49 R

OTHER PUBLICATIONS

Tennant Company, Bulletin No. 85.26s, ©1962, Snow Broom.

Primary Examiner—B. J. Bullock

Assistant Examiner—Ruth Takemoto

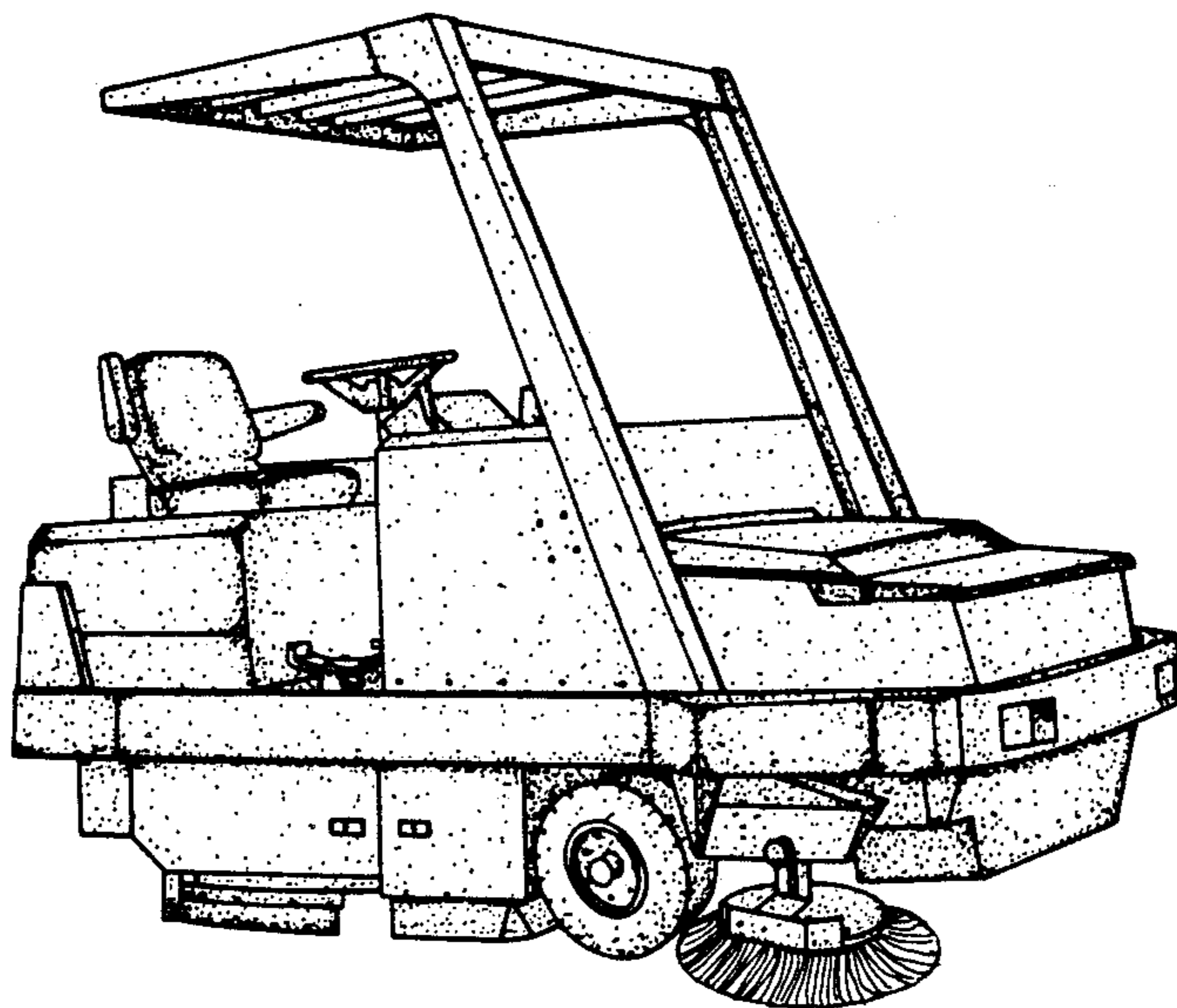
Attorney, Agent, or Firm—Harness, Dickey & Pierce

[57] CLAIM

The ornamental design for a machine for floor sweeping and scrubbing, as shown.

DESCRIPTION

FIG. 1 is a right front perspective view of a machine for floor sweeping and scrubbing showing our new design; FIG. 2 is a right rear elevational view thereof; FIG. 3 is a left front elevational view thereof; and FIG. 4 is a left rear elevational view thereof. FIG. 5 is a top plan view thereof, with the awning removed for clarity of illustration only; and FIG. 6 is a right side elevational view thereof.



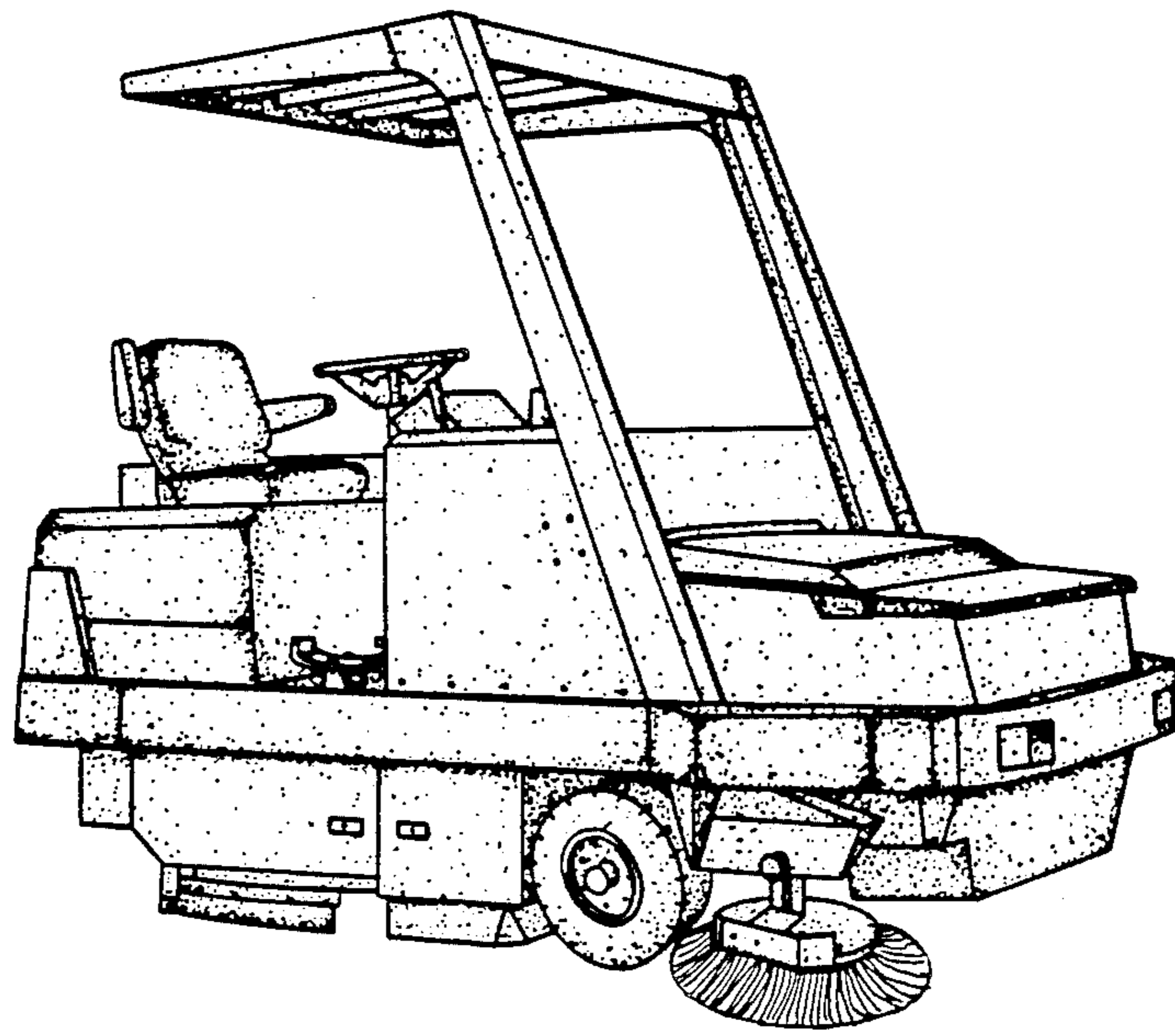


FIG. 1

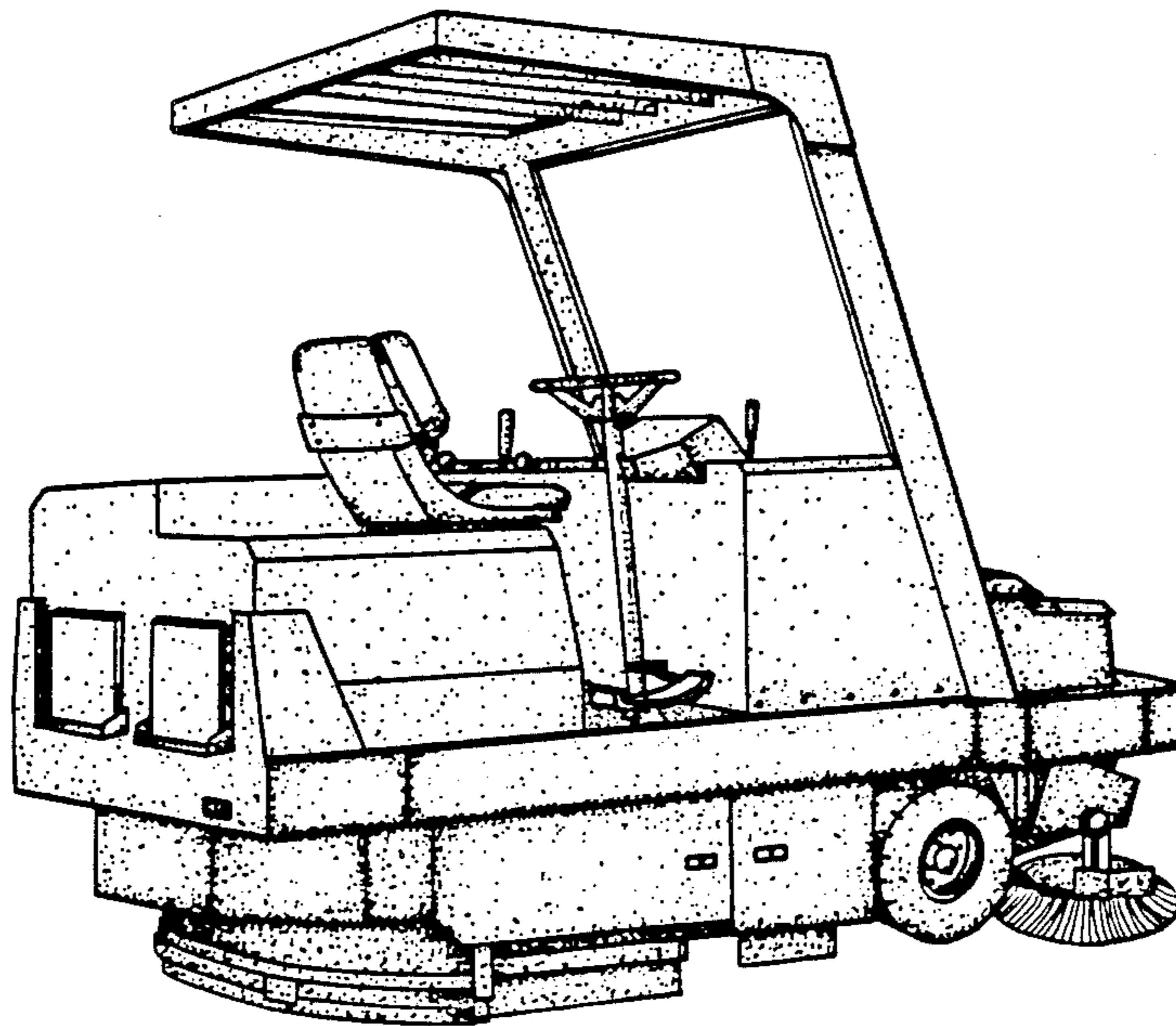


FIG. 2

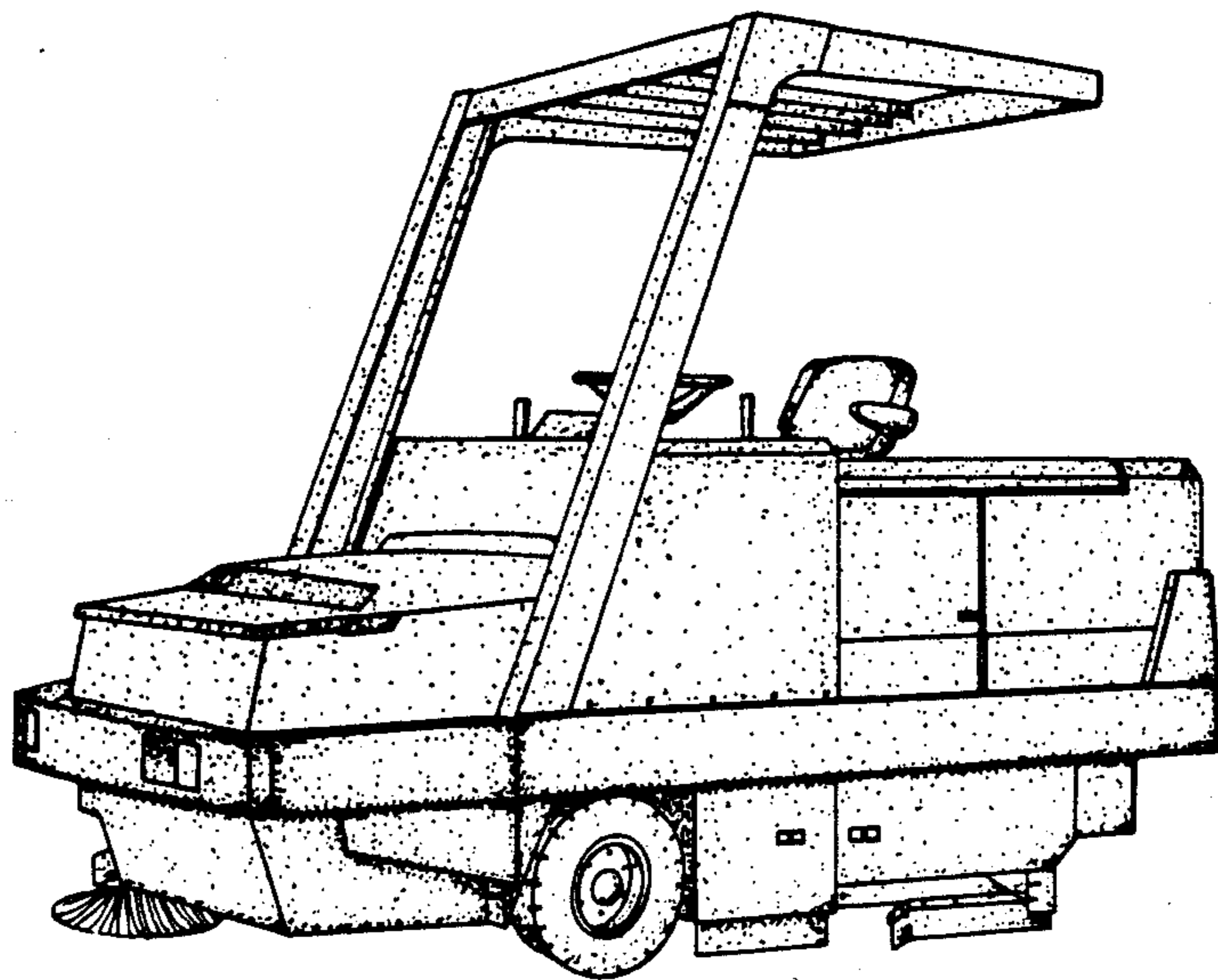


FIG. 3

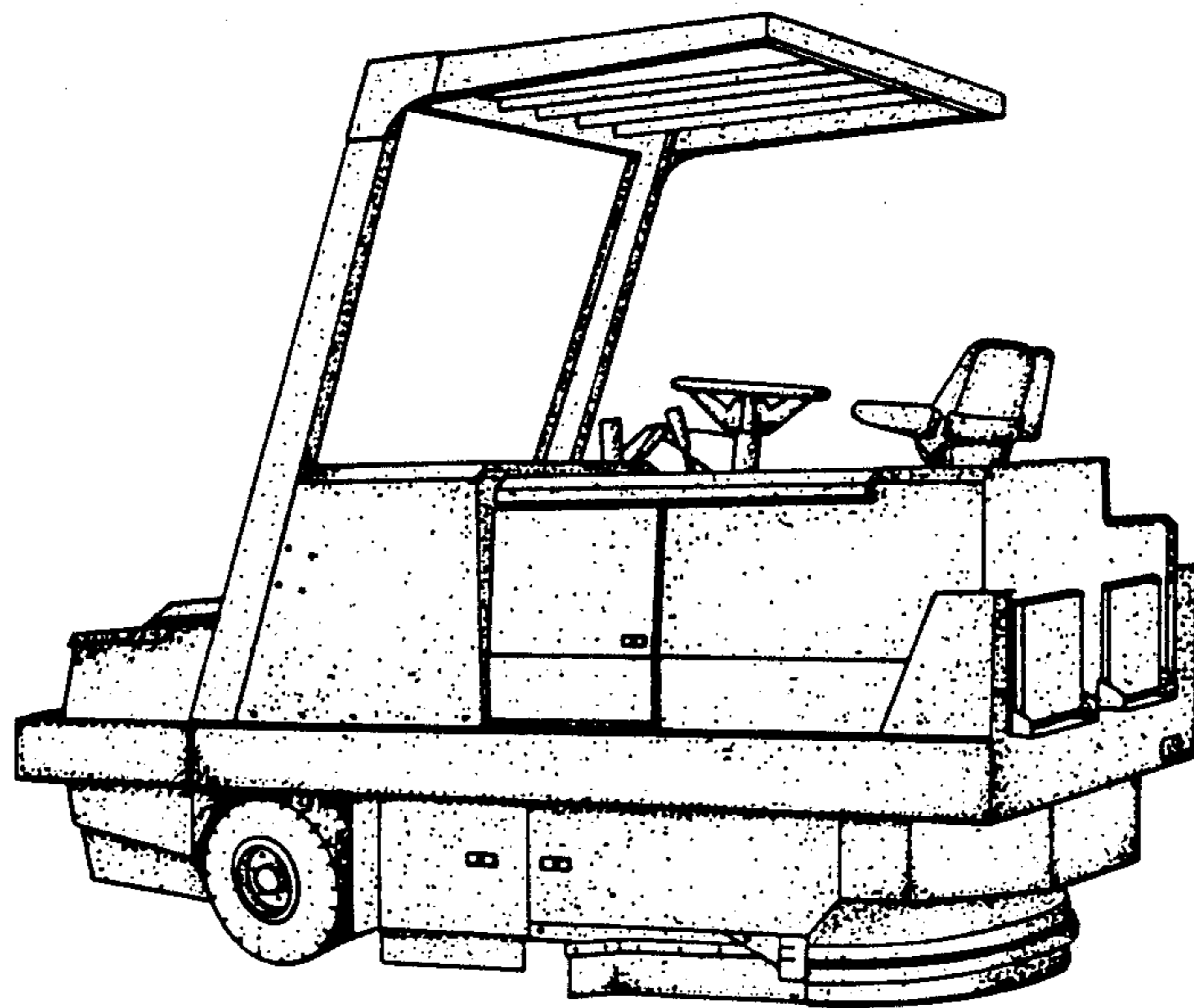


FIG. 4

FIG. 5

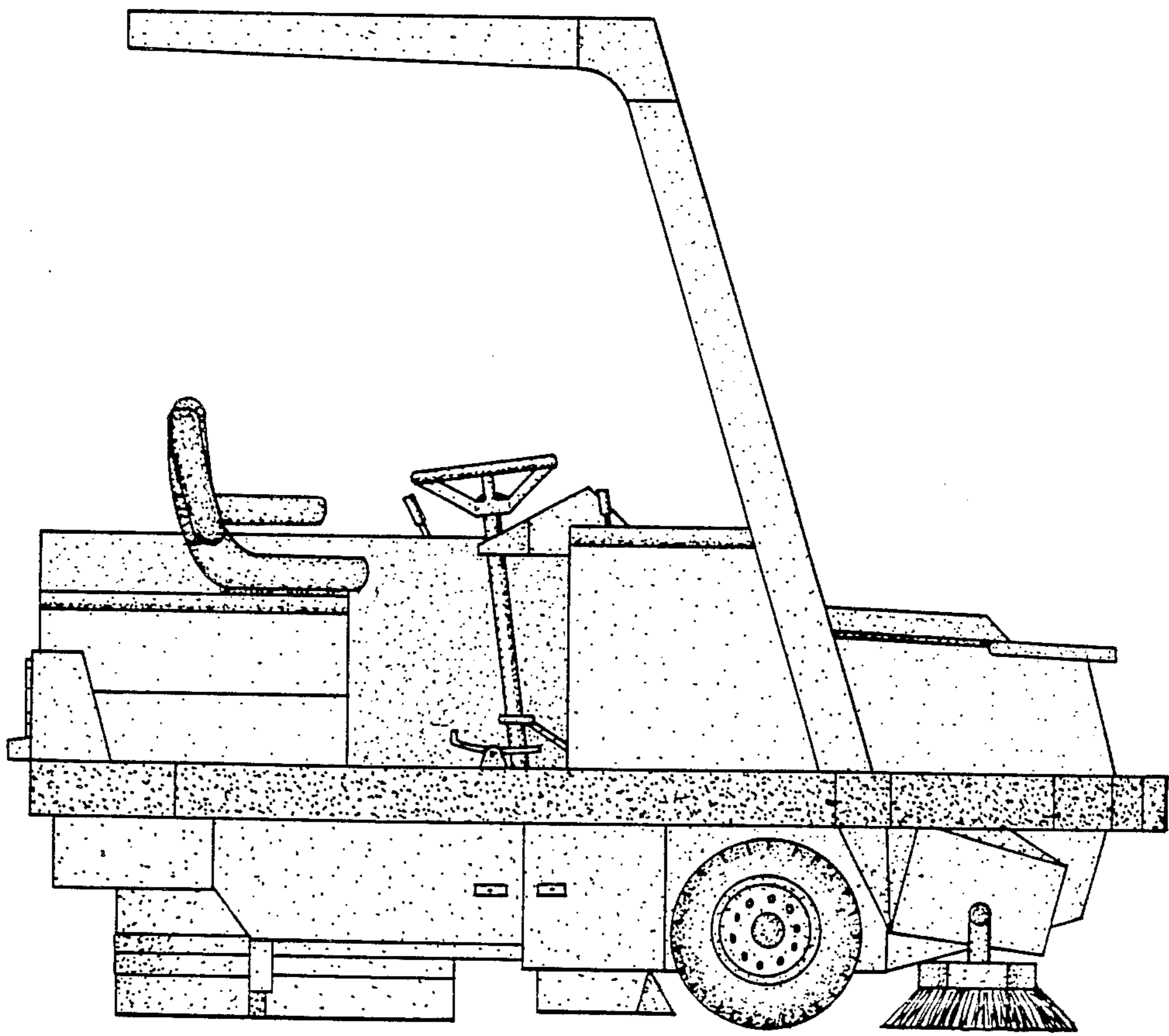
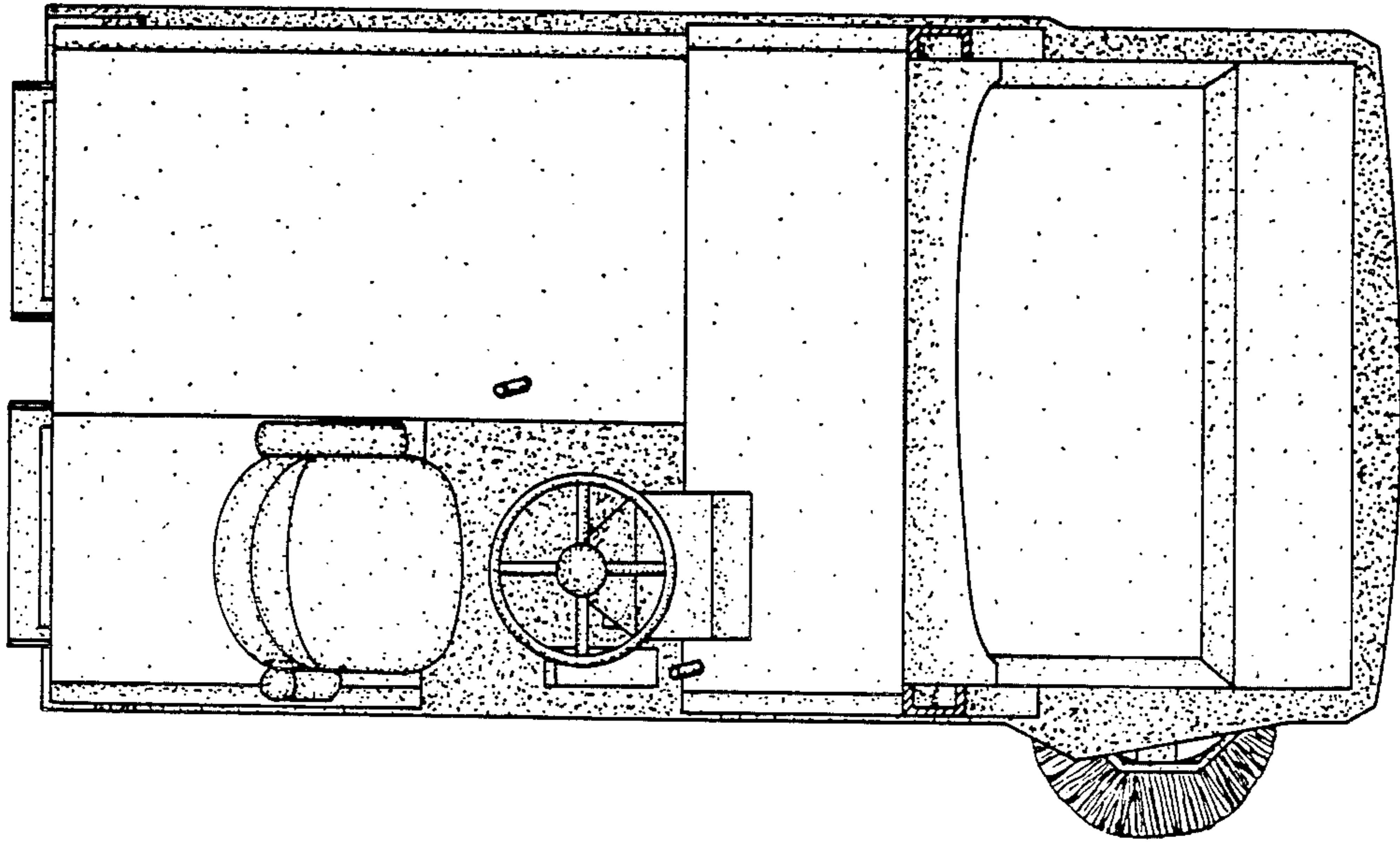


FIG. 6