

[54] FLUORESCENT LIGHTING FIXTURE

[76] Inventor: John F. Morten, P.O. Box 326, Dover, Mass. 02030

[**] Term: 14 Years

[21] Appl. No.: 740,330

[22] Filed: Jun. 3, 1985

[52] U.S. Cl. D26/76; D26/85

[58] Field of Search D26/72, 75-79, D26/80-92; 362/217, 219, 220, 222, 223, 432, 362, 363, 404

[56] References Cited

U.S. PATENT DOCUMENTS

D. 127,379	5/1941	Parisson	D26/76
D. 128,786	8/1941	McCann	D26/75 X
3,328,578	6/1967	Gough	362/217
4,069,415	1/1978	Dacal	362/362 X

4,587,600 5/1986 Morten 362/362 X

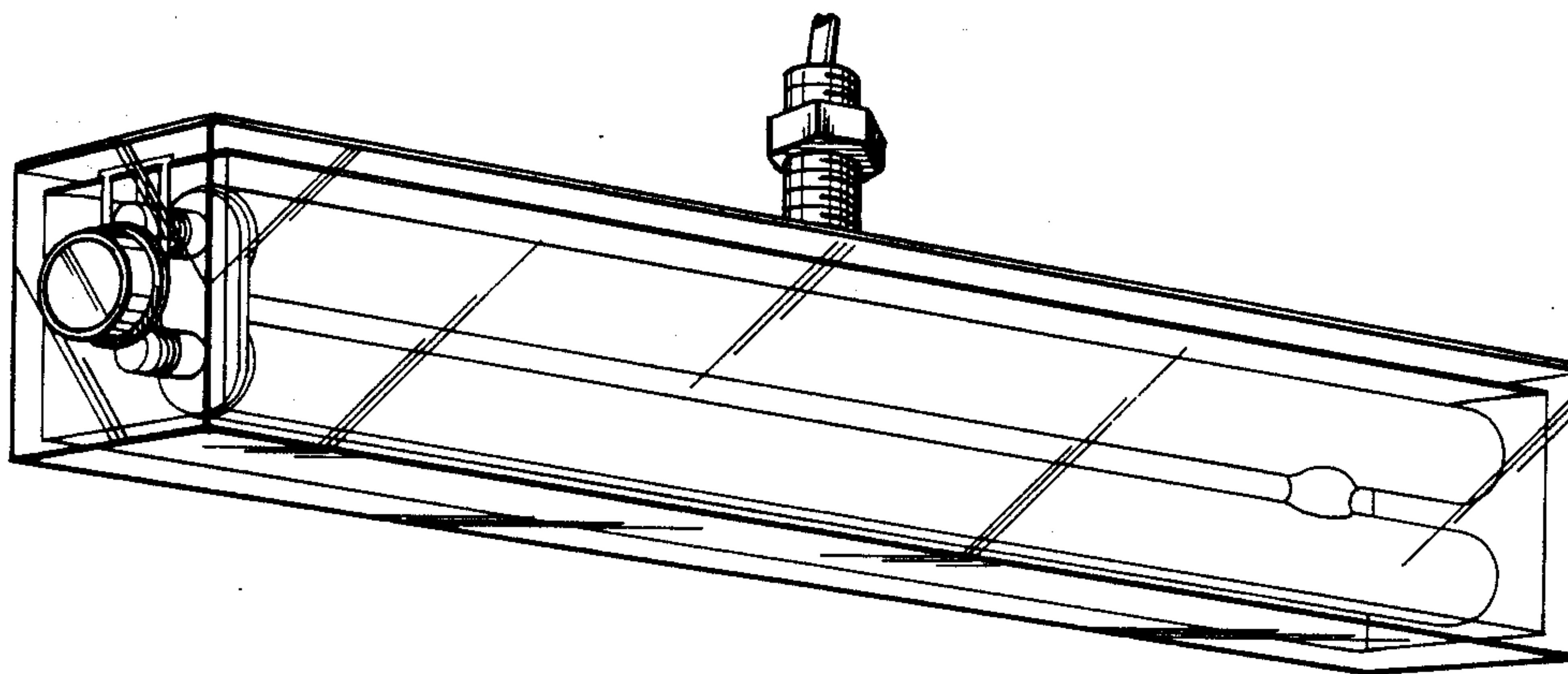
Primary Examiner—Susan J. Lucas
Attorney, Agent, or Firm—Wolf, Greenfield & Sacks

[57] CLAIM

The ornamental design for a fluorescent lighting fixture, as shown and described.

DESCRIPTION

FIG. 1 is a front perspective view of a fluorescent lighting fixture showing my new design; FIG. 2 is front elevational view thereof, the rear being a mirror image; FIG. 3 is a left end elevational view thereof; FIG. 4 is a right end elevational view thereof; FIG. 5 is a top plan view thereof; and FIG. 6 is a bottom plan view thereof. The top of the fixture is shaded to indicate a Mylar-type surface with a mirror finish.



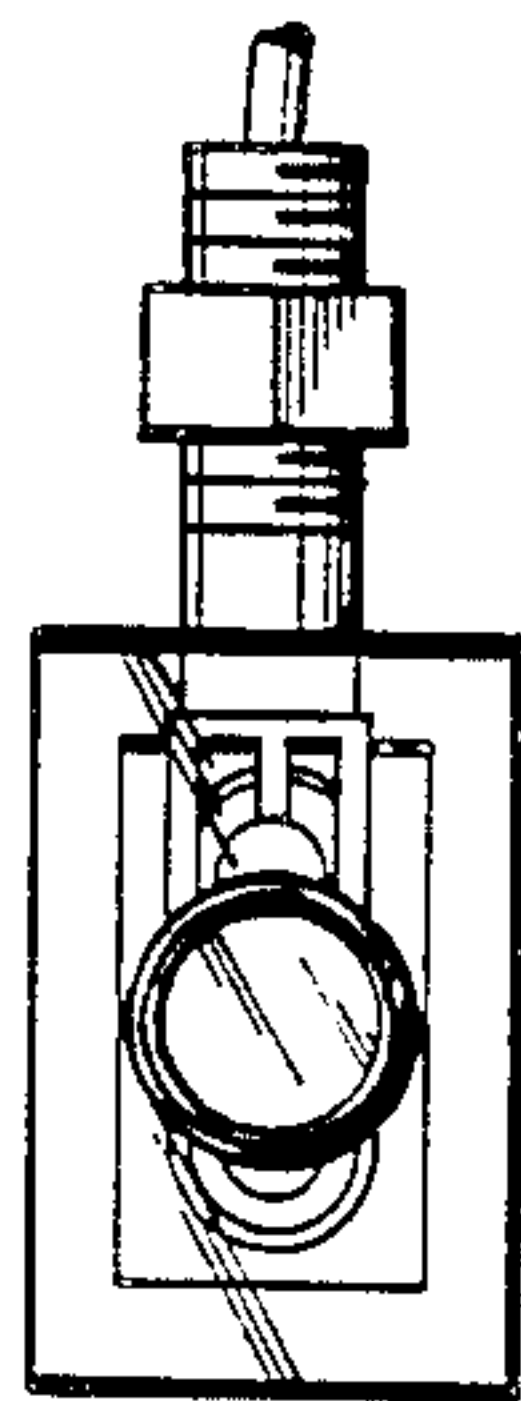
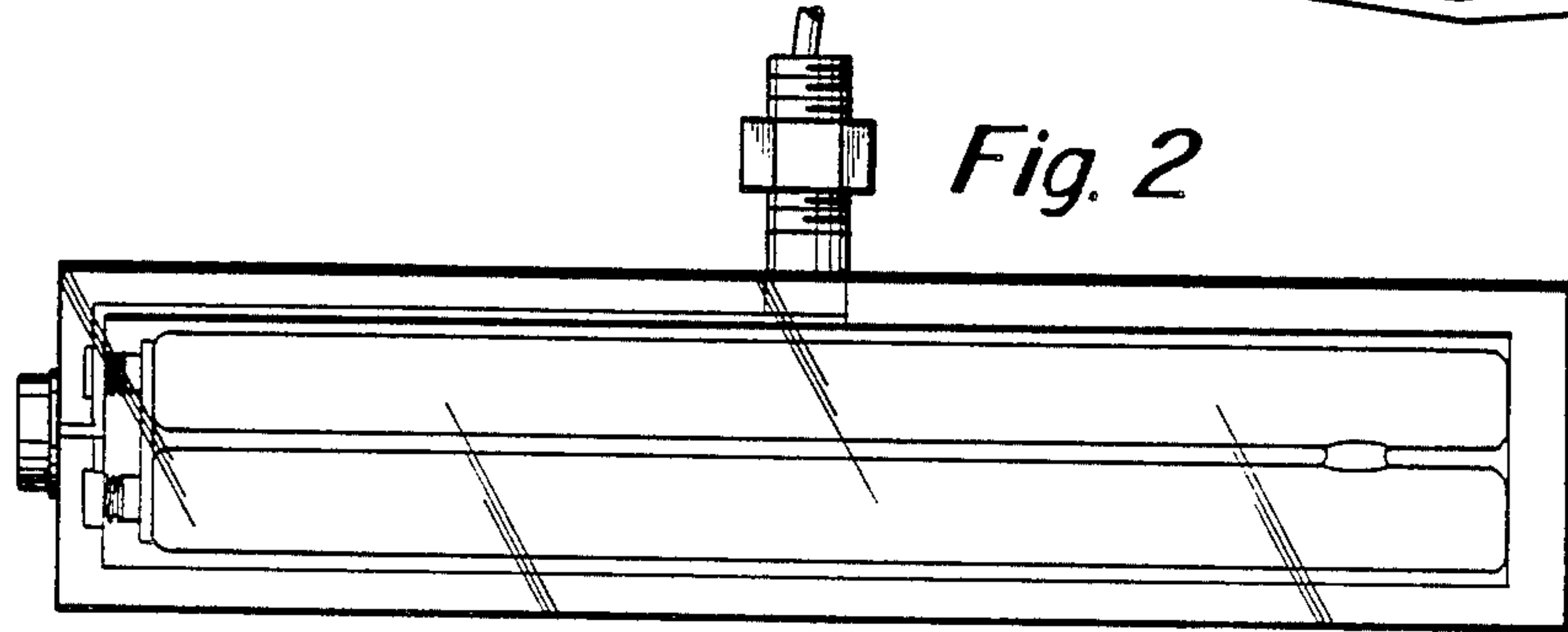
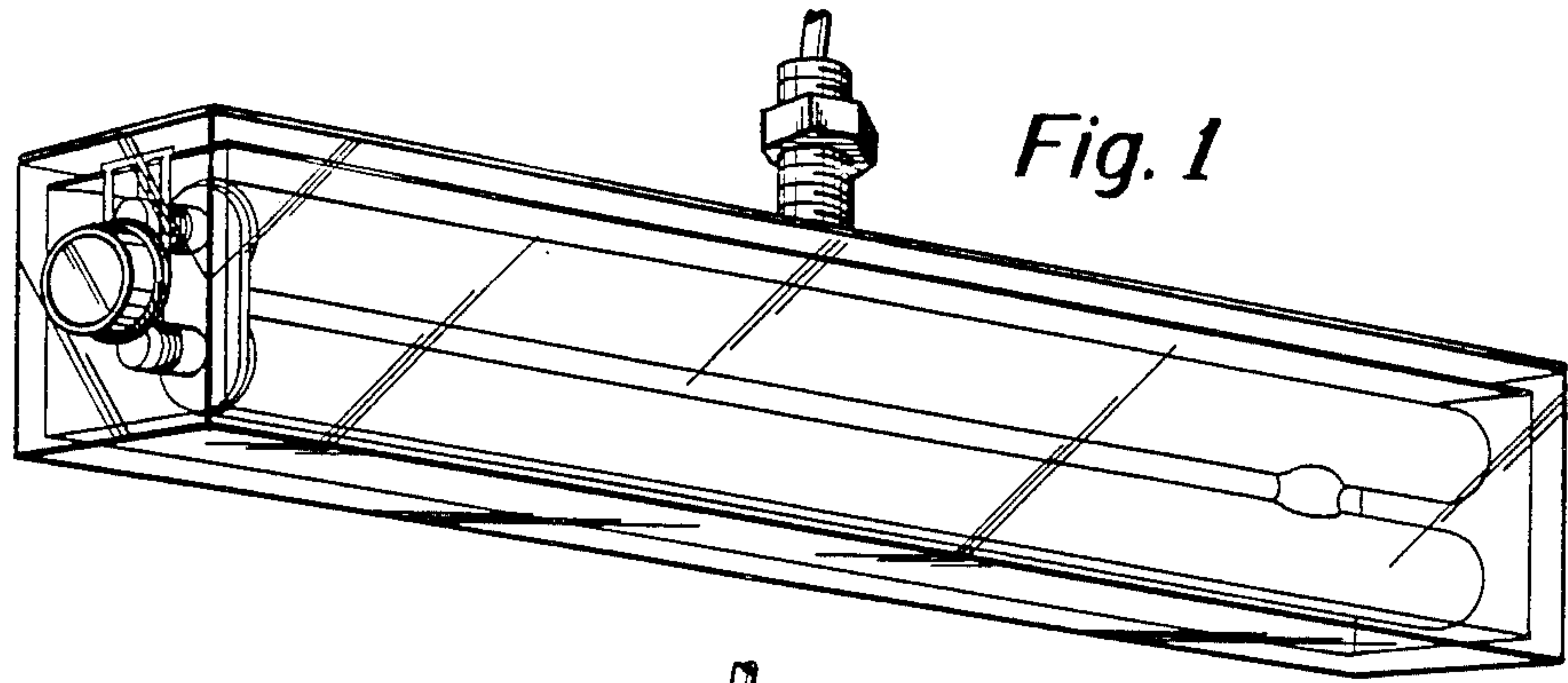


Fig. 3

Fig. 4

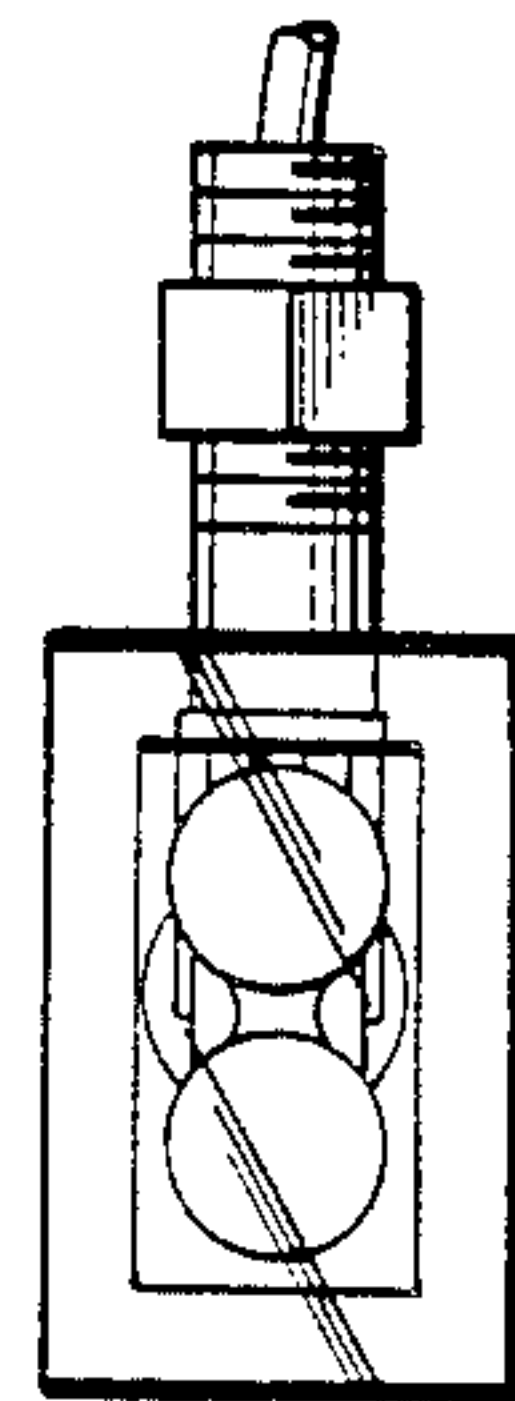


Fig. 5

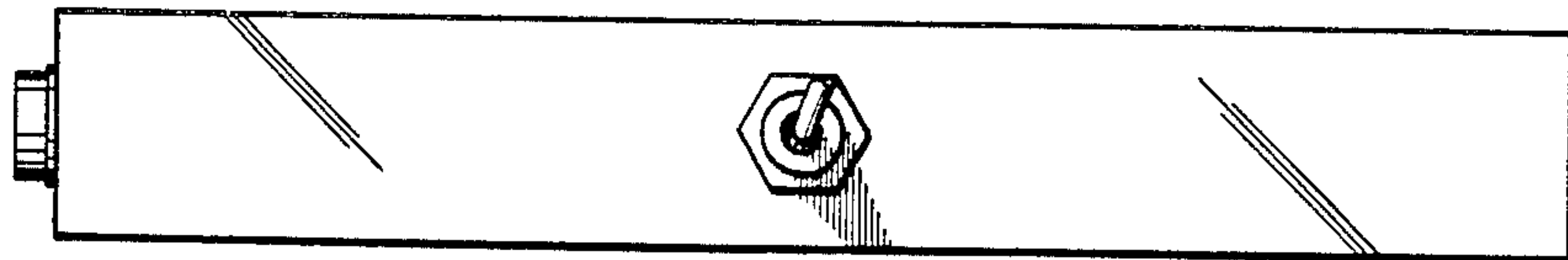


Fig. 6

