

[54] SOLAR POWERED LIGHT HOUSING

[75] Inventor: Dennis R. Schlepp, Golden, Colo.

[73] Assignee: Texas HiTech, Oklahoma City, Okla.

[**] Term: 14 Years

[21] Appl. No.: 623,378

[22] Filed: Jun. 22, 1984

[52] U.S. Cl. D26/67; D26/24

[58] Field of Search 362/297, 310, 311, 362, 362/183, 431; D26/67-71, 24; 136/244, 246; 429/9

[56] References Cited

U.S. PATENT DOCUMENTS

4,275,525	6/1981	Geisler et al.	136/246 X
4,281,369	7/1981	Batte	362/183
4,355,628	10/1982	Watts	D26/28
4,481,562	11/1984	Hickson	362/183

Primary Examiner—Susan J. Lucas

Attorney, Agent, or Firm—Robert C. Dorr

[57] CLAIM

The ornamental design for a solar powered light housing, as shown and described.

DESCRIPTION

FIG. 1 is a front perspective view of the solar powered light housing showing my new design, the solar collector cells and the support being shown in broken lines for illustrative purposes only;

FIG. 2 is a front elevational view thereof, the solar cells being shown in broken lines for illustrative purposes only;

FIG. 3 is a side elevational view thereof, the opposite side being a mirror image thereof;

FIG. 4 is a bottom plan view thereof, the light, post and hinge being shown in broken lines for illustrative purposes only;

FIG. 5 is a top plan view thereof, the solar cells being shown in broken lines for illustrative purposes only; and

FIG. 6 is a rear elevational view thereof, the post being shown in broken lines for illustrative purposes only.

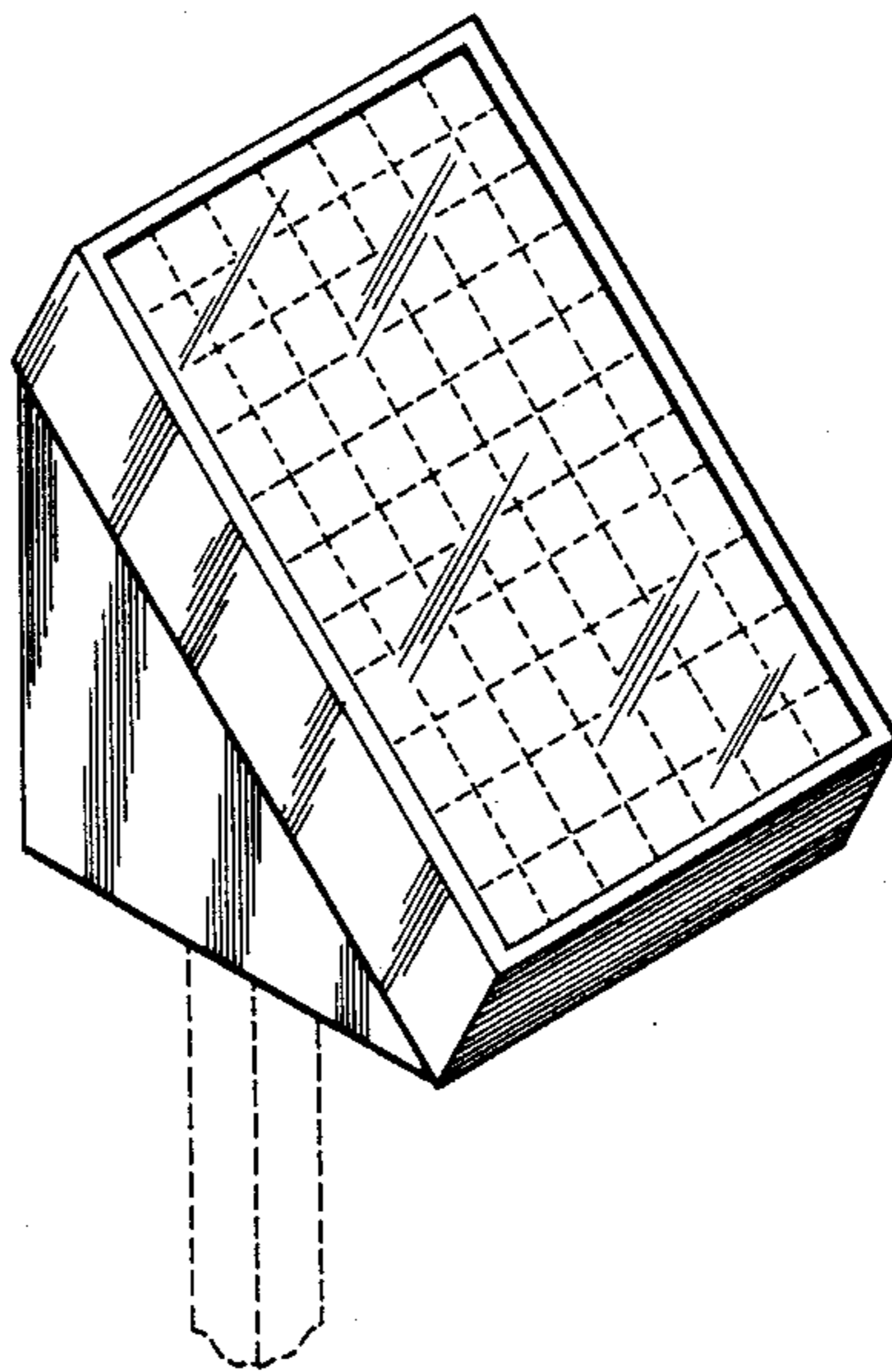


Fig. 1

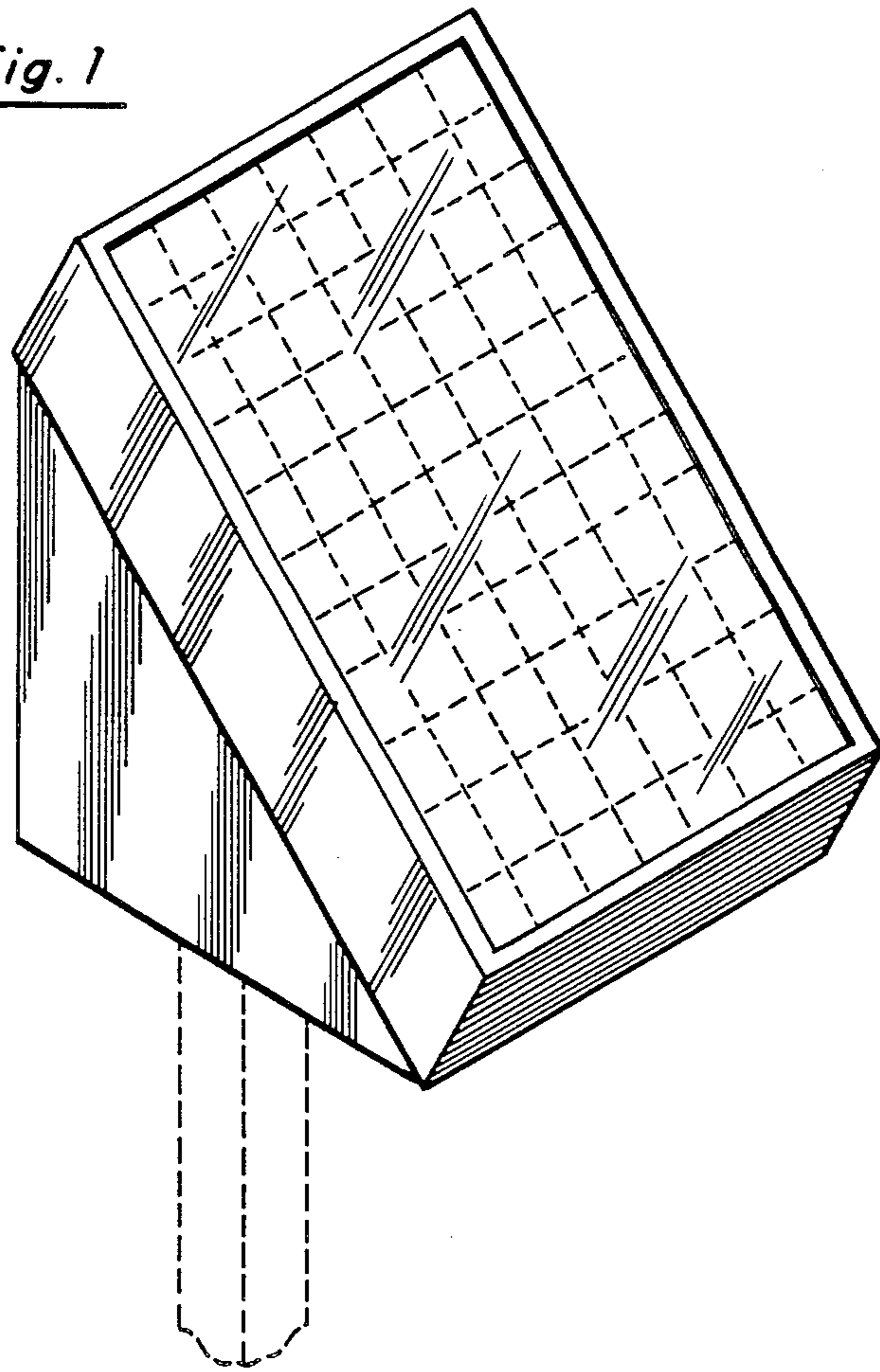


Fig. 2

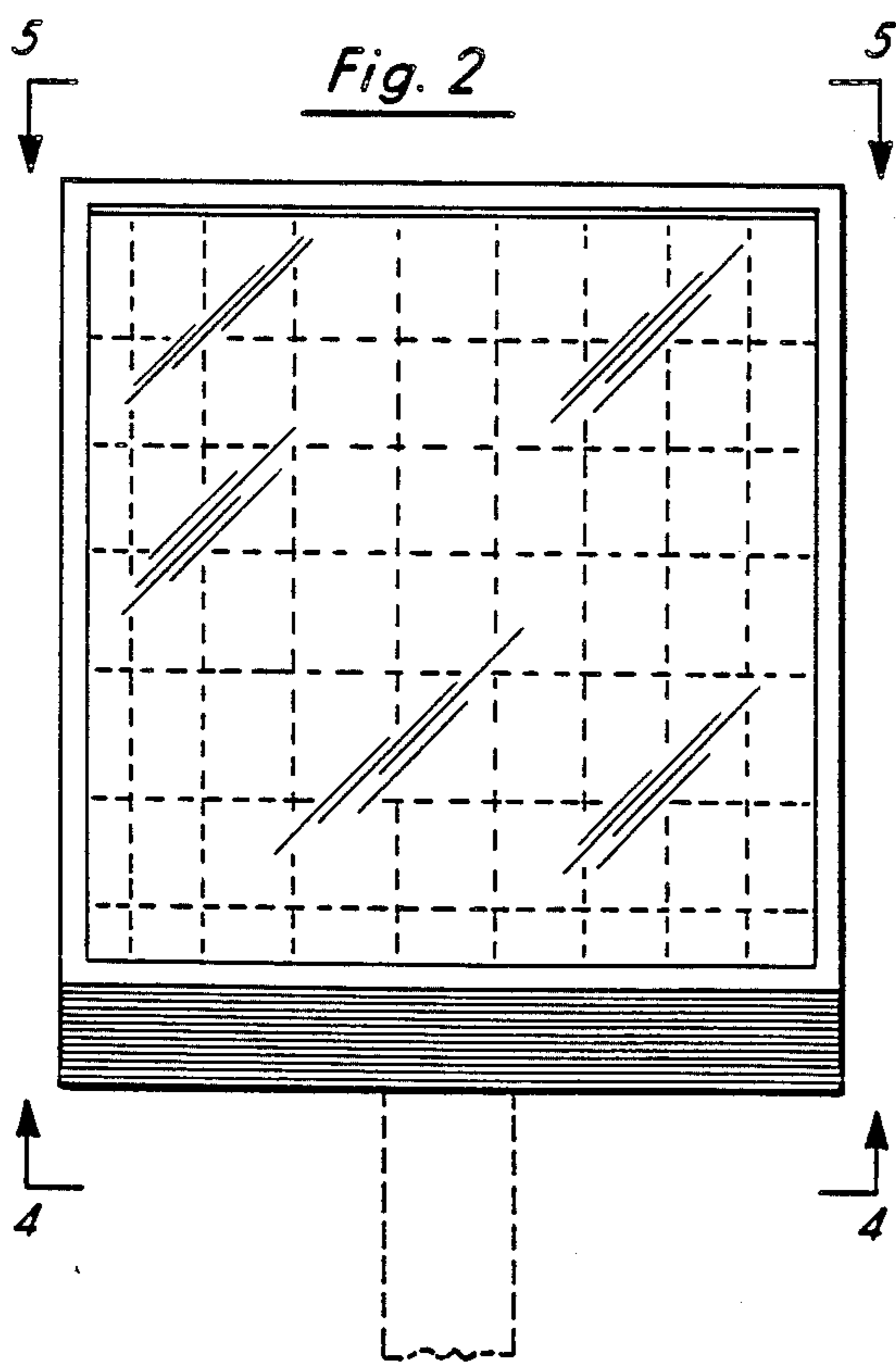


Fig. 3

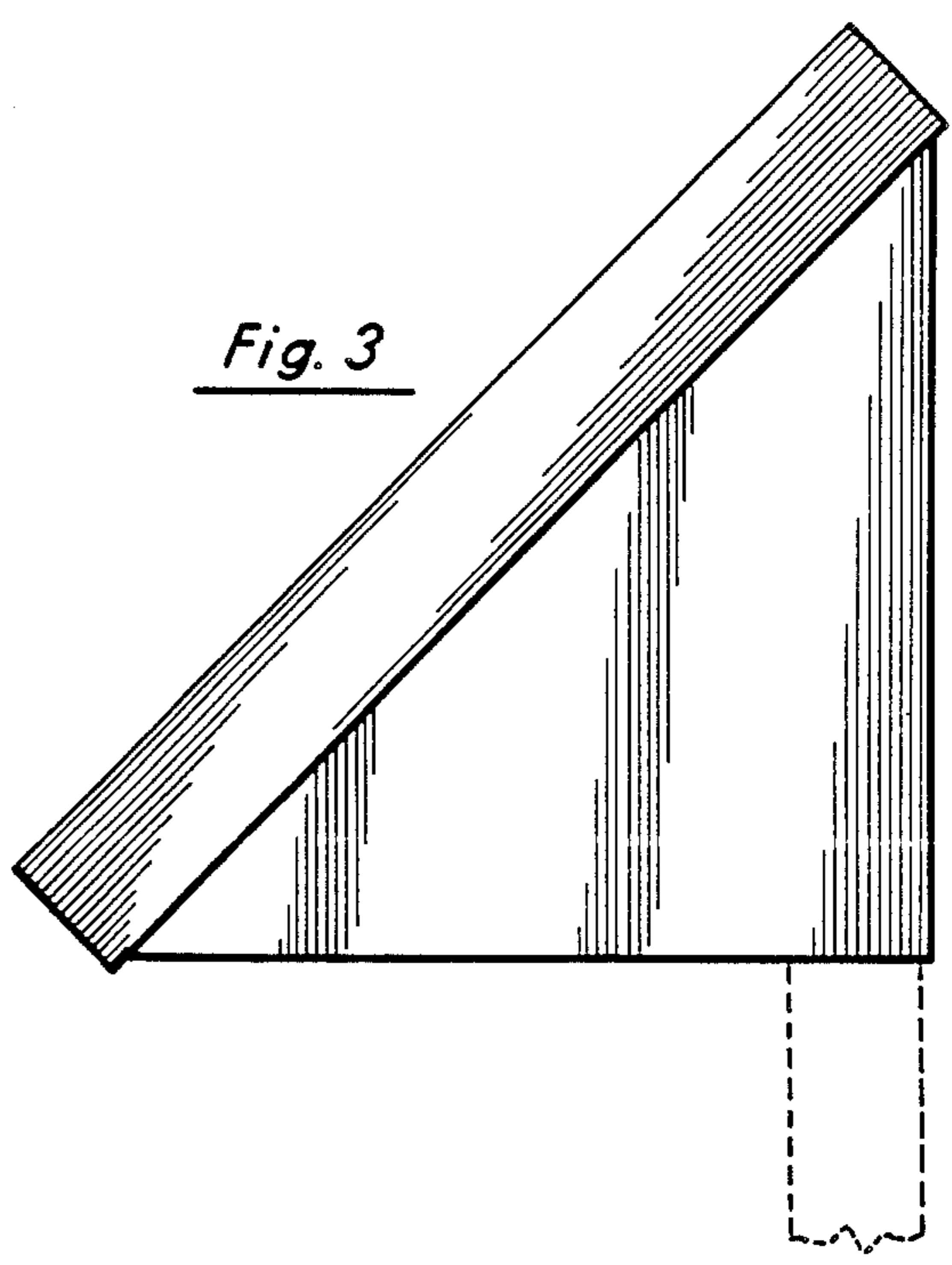


Fig. 4

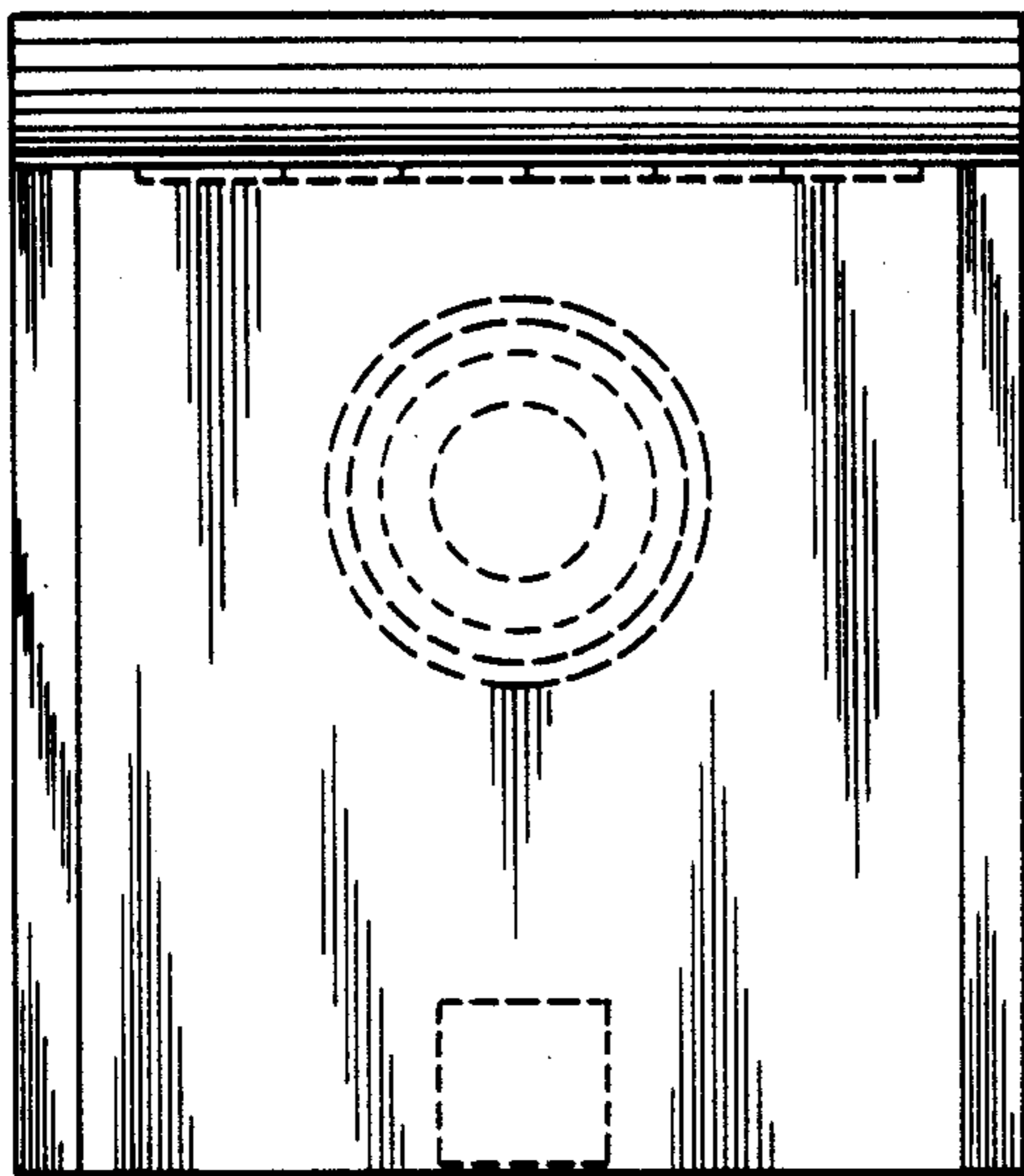


Fig. 5

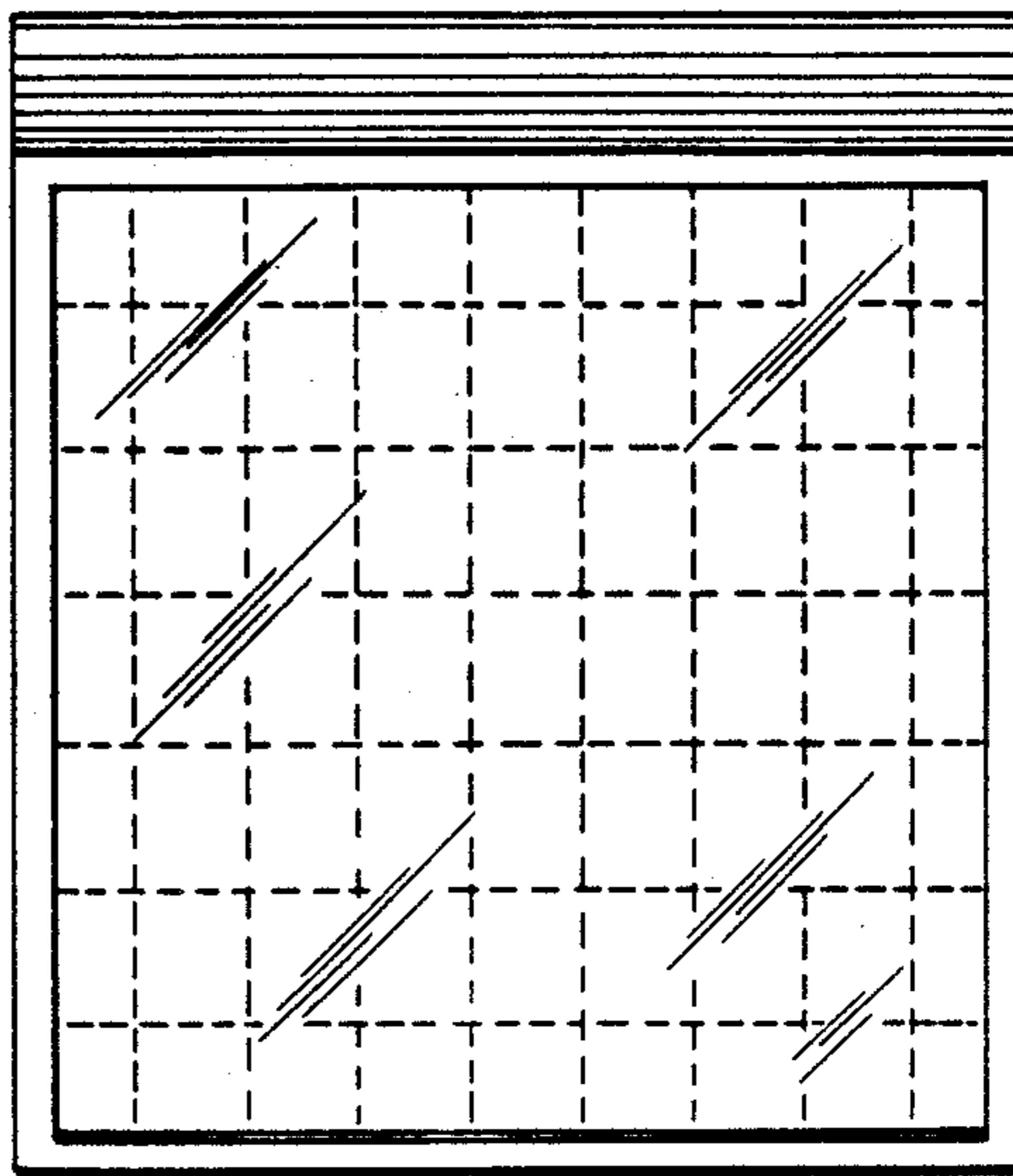


Fig. 6

