

[54] FRONT COMBINATION LAMP FOR AN AUTOMOBILE

[75] Inventor: Tsutomu Kawaguchi, Toyota, Japan

[73] Assignee: Toyota Jidosha Kabushiki Kaisha, Toyota, Japan

[**] Term: 14 Years

[21] Appl. No.: 760,971

[22] Filed: Jul. 31, 1985

[52] U.S. Cl. D26/28

[58] Field of Search D26/28-36, D26/120, 122, 123, 124; 362/61, 80-83, 326-340

[56] References Cited

U.S. PATENT DOCUMENTS

- D. 229,507 12/1973 Boano D26/35
- D. 271,047 10/1983 Heinz et al. .
- D. 271,142 10/1983 Hirasawa D26/120

D. 285,122 8/1986 Fujita D26/35

Primary Examiner—Susan J. Lucas
Attorney, Agent, or Firm—Cushman, Darby & Cushman

[57] CLAIM

The ornamental design for a front combination lamp for an automobile, substantially as shown.

DESCRIPTION

FIG. 1 is a perspective view of a front combination lamp for an automobile showing my new design;
 FIG. 2 is a front elevational view thereof;
 FIG. 3 is a rear elevational view thereof;
 FIG. 4 is a top plan view thereof;
 FIG. 5 is a bottom plan view thereof;
 FIG. 6 is a left side elevational view thereof;
 FIG. 7 is a right side elevational view thereof;
 FIG. 8 is a cross-sectional view taken along line VIII—VIII in FIG. 2;
 FIG. 9 is a cross-sectional view taken along line IX—IX in FIG. 2.

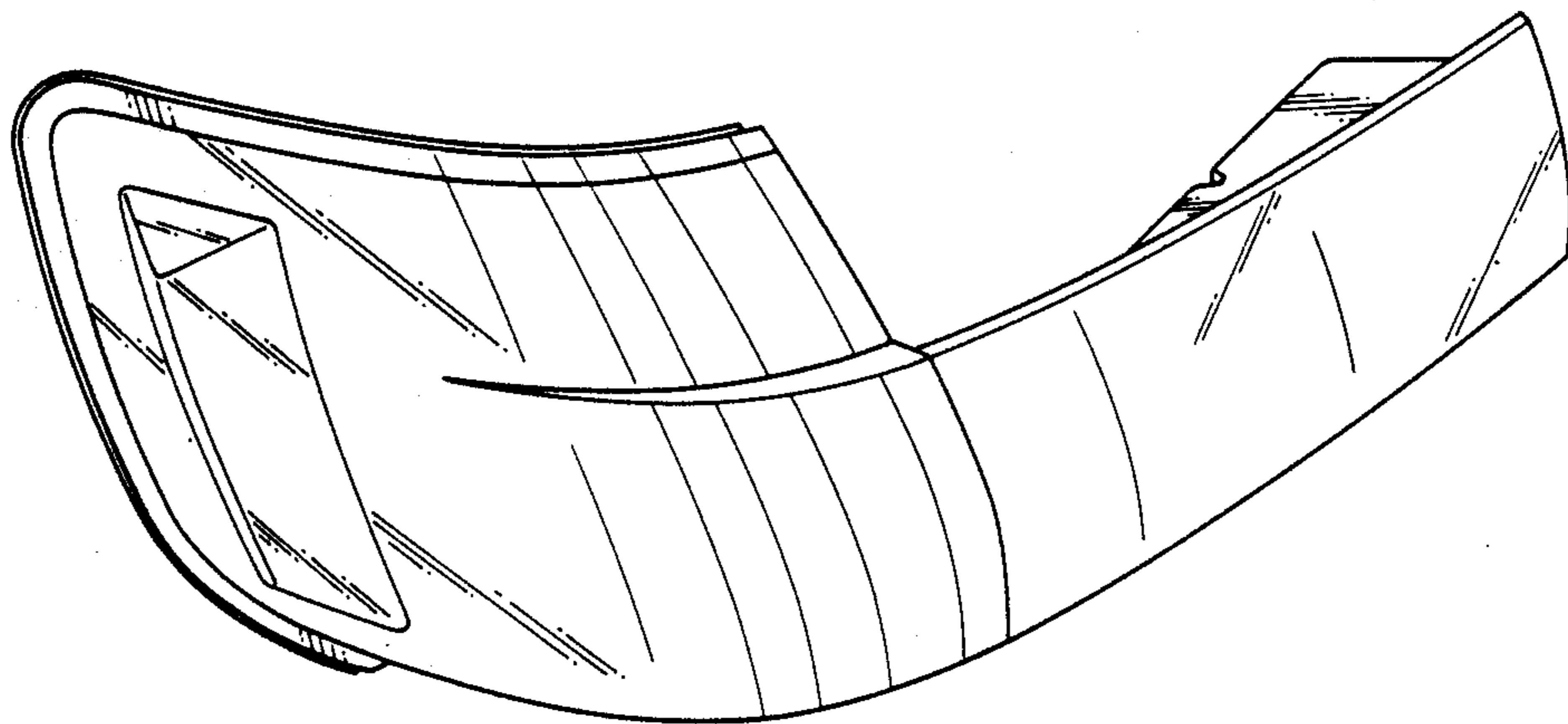


Fig. 1

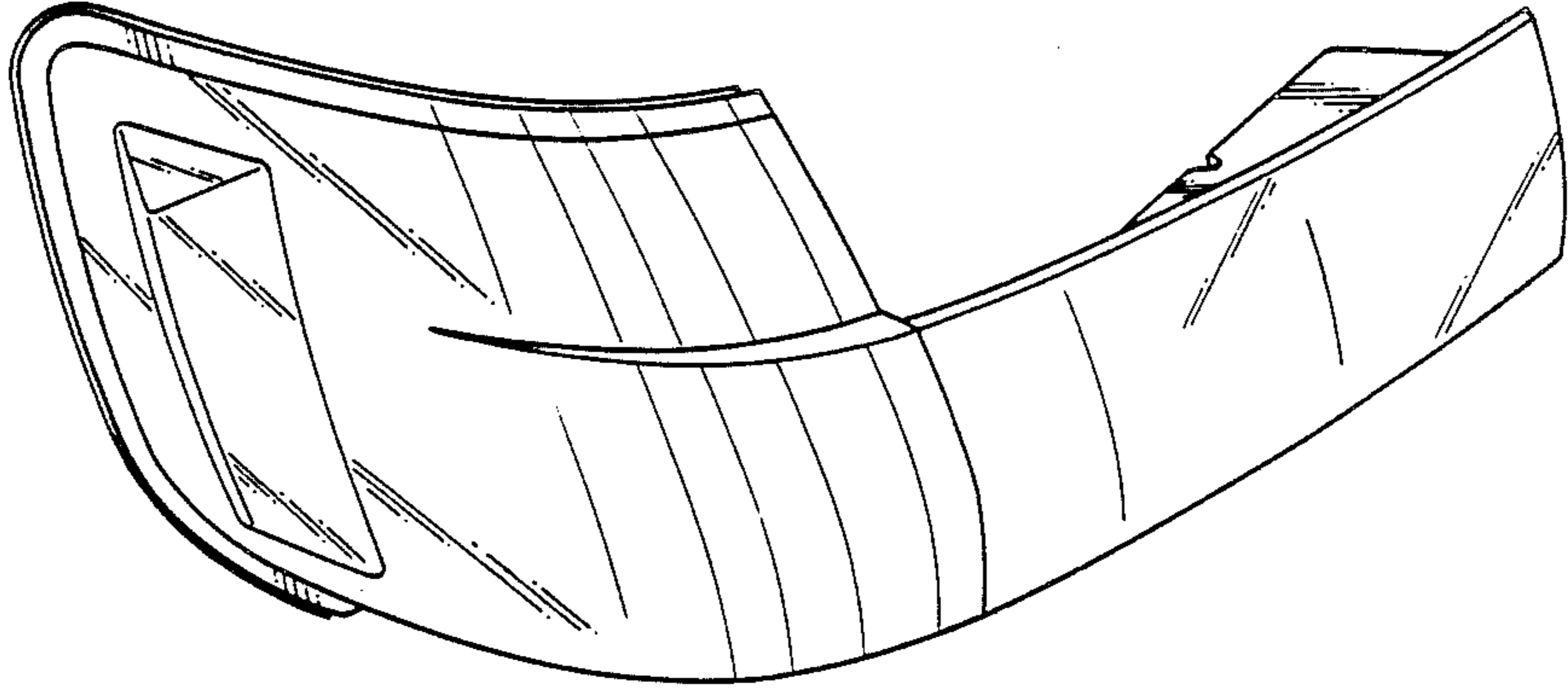


Fig. 2

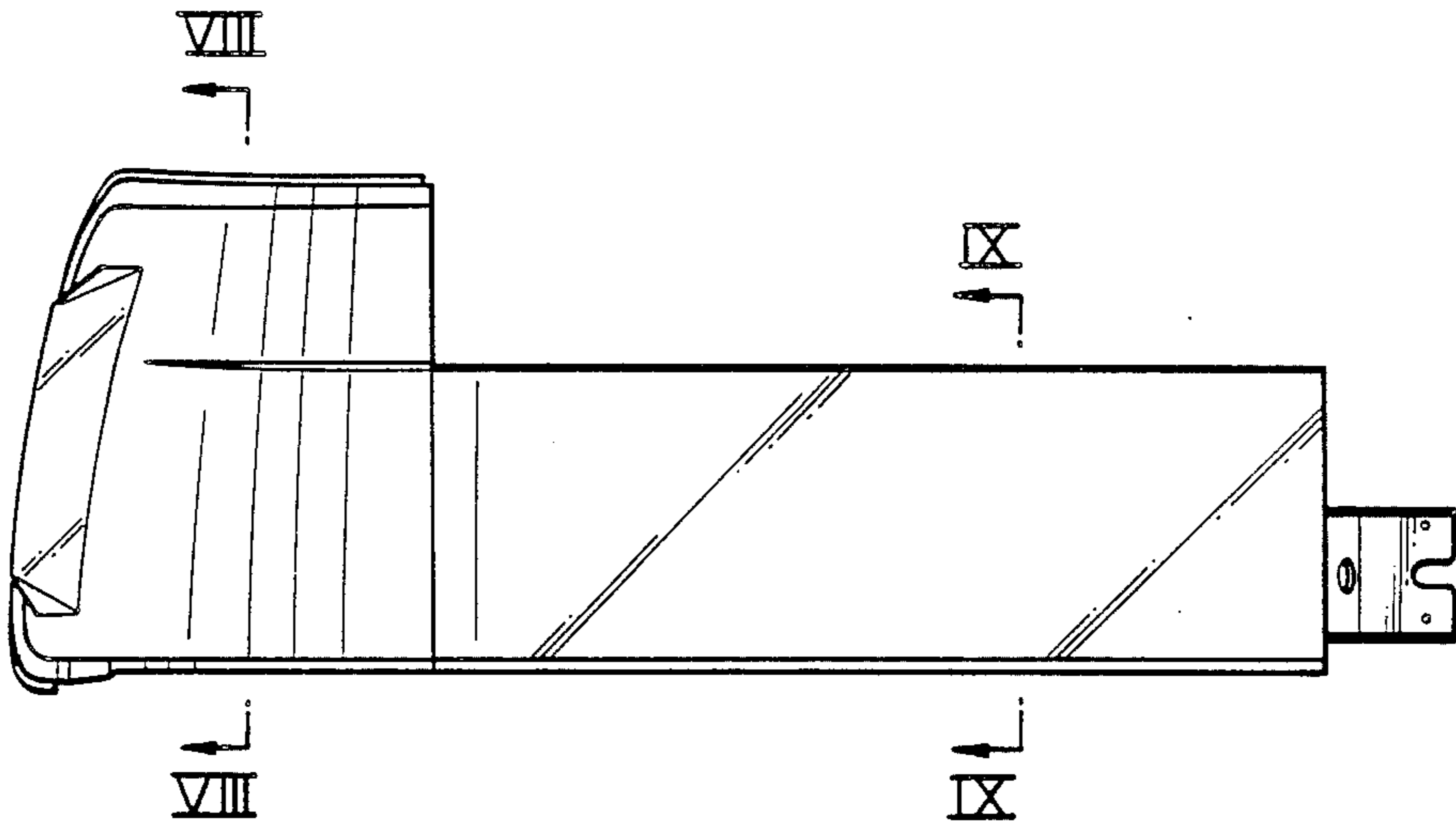


Fig. 3

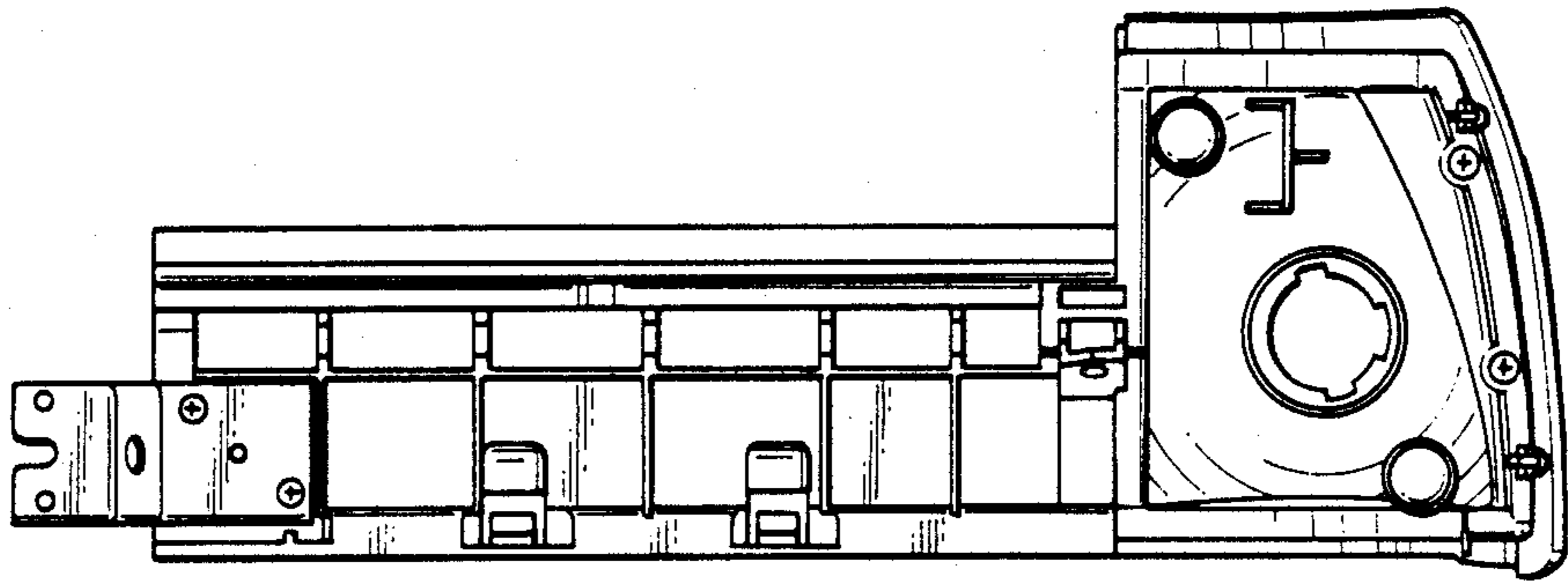


Fig. 4

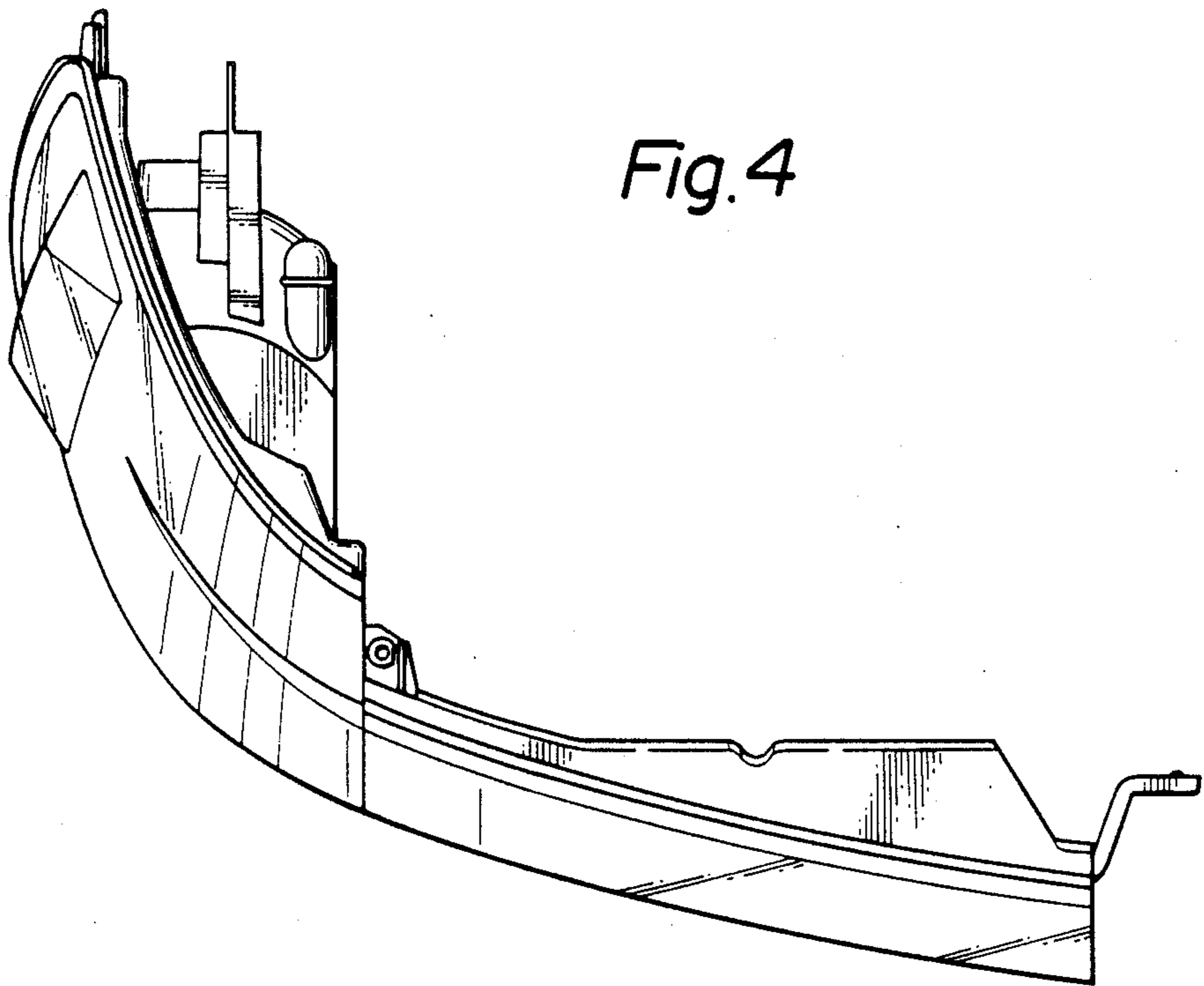


Fig.5

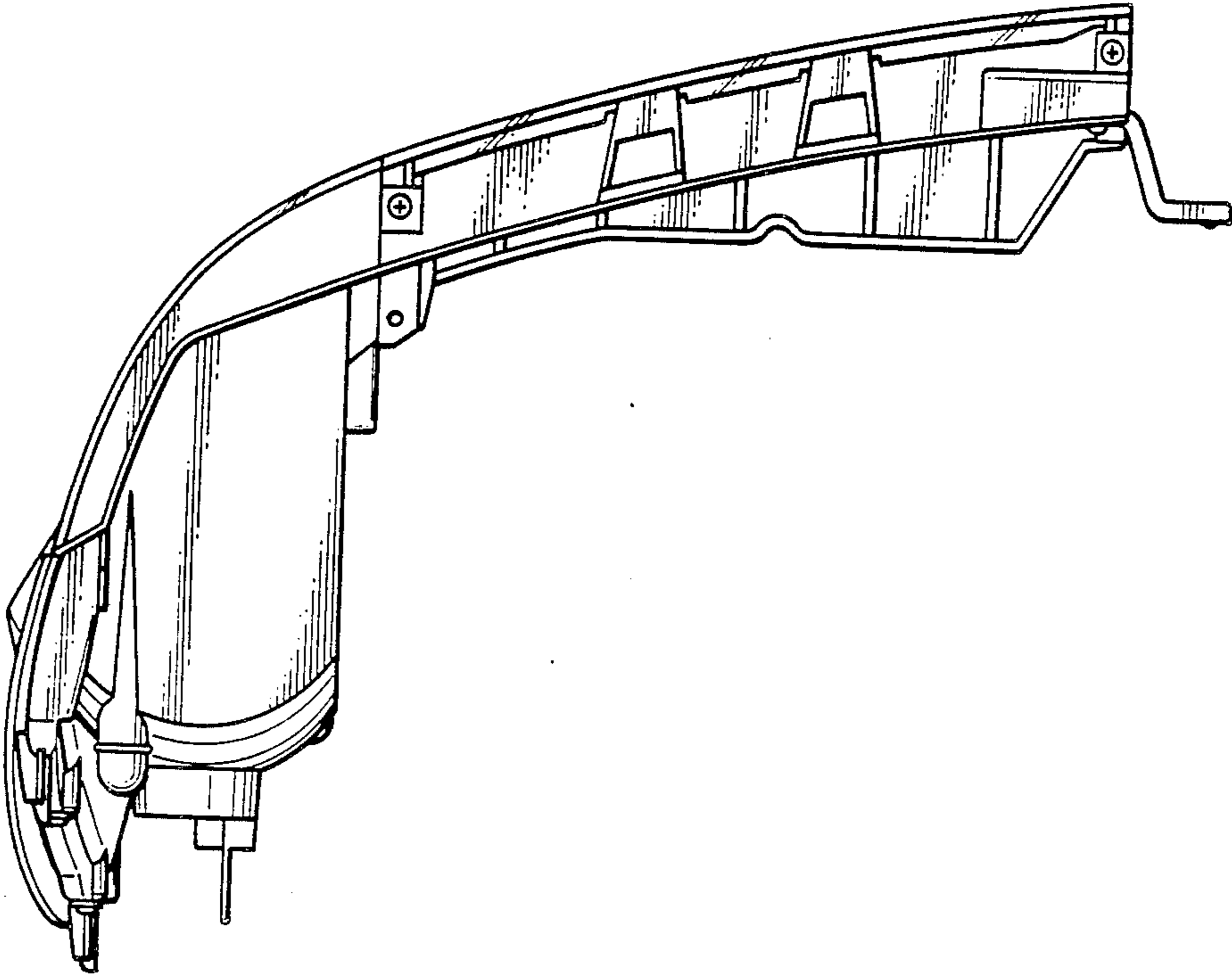


Fig.6

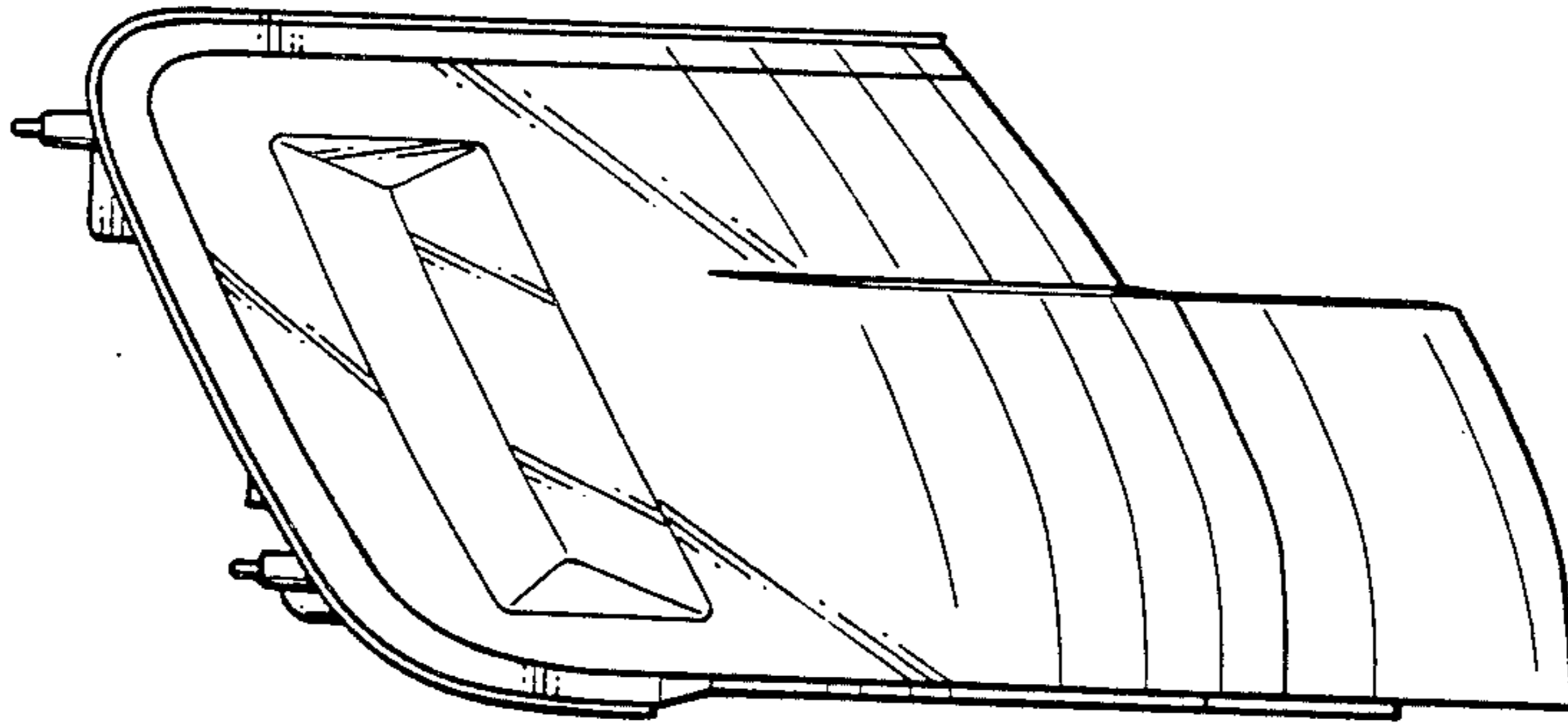


Fig. 7

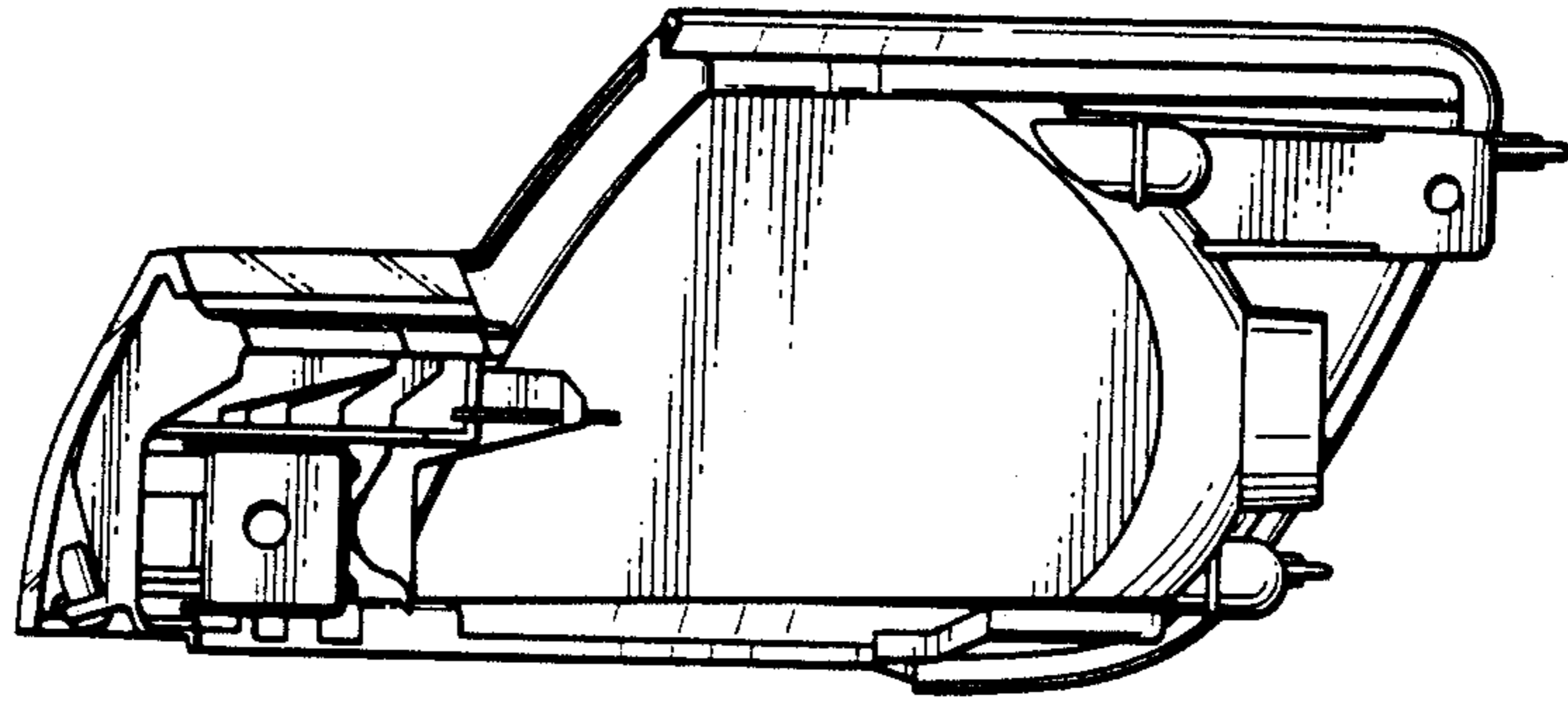


Fig. 8

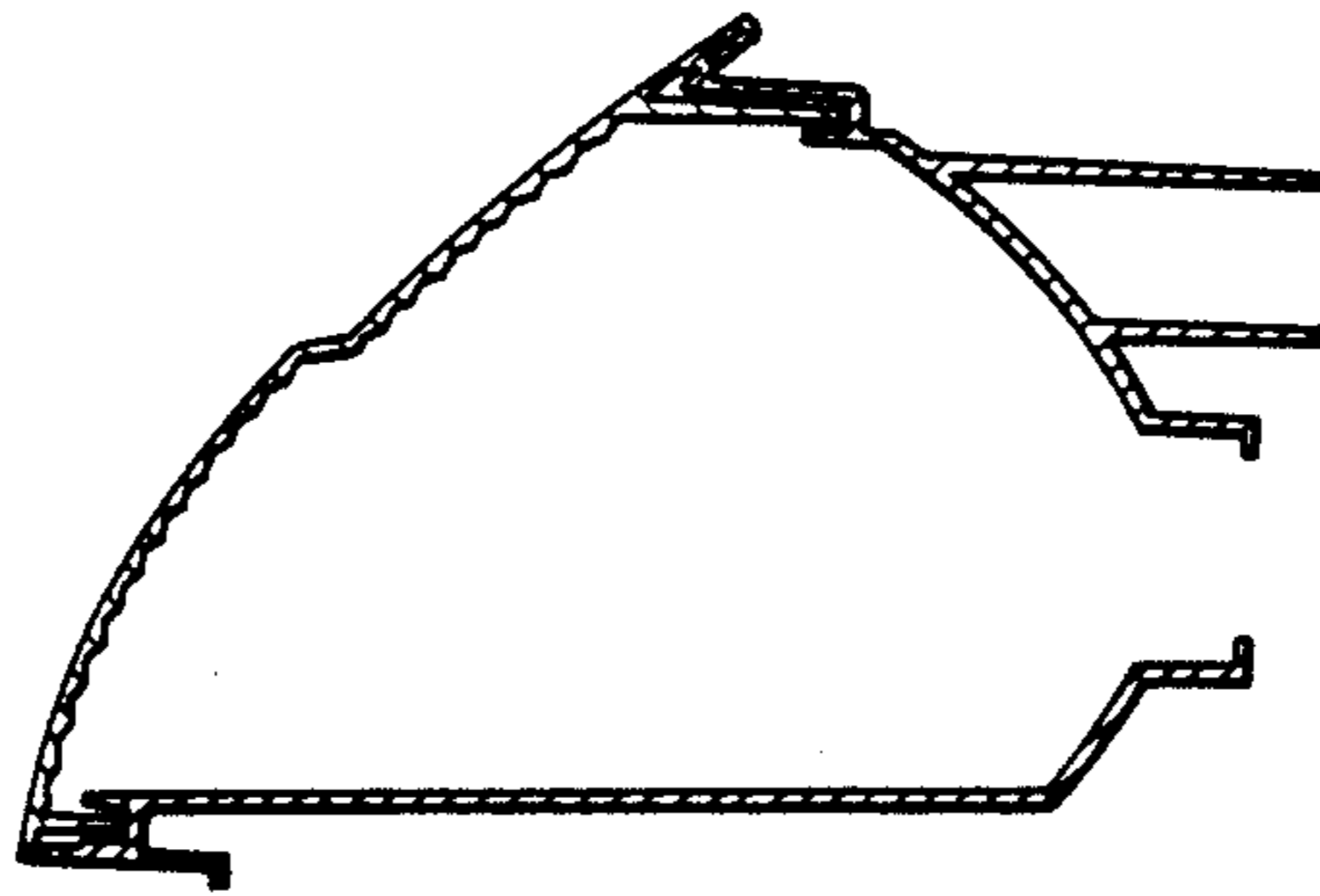


Fig. 9

