

[54] DISPOSABLE CUSHION PAD FOR INTRA-ORAL X-RAY FILMS

4,495,670 1/1985 Baker ..... 30/169 X  
4,605,265 8/1986 Bessinger et al. .... 248/345.1 X

[76] Inventor: Donald C. Simpson, 5555 Shawnee Dr., Sierra Vista, Ariz. 85635

Primary Examiner—Wallace R. Burke  
Assistant Examiner—Brian N. Vinson  
Attorney, Agent, or Firm—Mann, McWilliams, Zummer & Sweeney

[\*\*] Term: 14 Years

[21] Appl. No.: 805,229

[57] CLAIM

[22] Filed: Nov. 15, 1985

The ornamental design for disposable cushion pad for intra-oral X-ray films, as shown and described.

[52] U.S. Cl. .... D24/2; D24/16

[58] Field of Search ..... D24/4-5, D24/10-16, 2; D8/403; D14/1, 6, 10-11; D16/36-37; 378/167-174, 187; 354/340, 345; 49/460-462, 70, 50; 248/345.1; 52/716, 657; 433/229

DESCRIPTION

[56] References Cited

U.S. PATENT DOCUMENTS

1,537,925	5/1925	Bolin .	
1,631,497	6/1927	Marler .	
1,994,579	3/1935	Hodgson .	
3,444,371	5/1969	Via, Jr. ....	378/168
3,936,643	2/1976	Toner .....	378/168
4,251,732	2/1981	Fried .....	378/170

FIG. 1 is a top and front perspective view of a disposable cushion pad for intra-oral X-ray films showing my new design;  
FIG. 2 is a front elevational view thereof;  
FIG. 3 is a rear elevational view thereof;  
FIG. 4 is a top plan view thereof;  
FIG. 5 is a bottom plan view thereof;  
FIG. 6 is a right side elevational view thereof; and  
FIG. 7 is a left side elevational view thereof.  
The broken-line showing of the X-ray film packet in FIGS. 1 and 2 is for illustrative purposes only and forms no part of the claimed design.

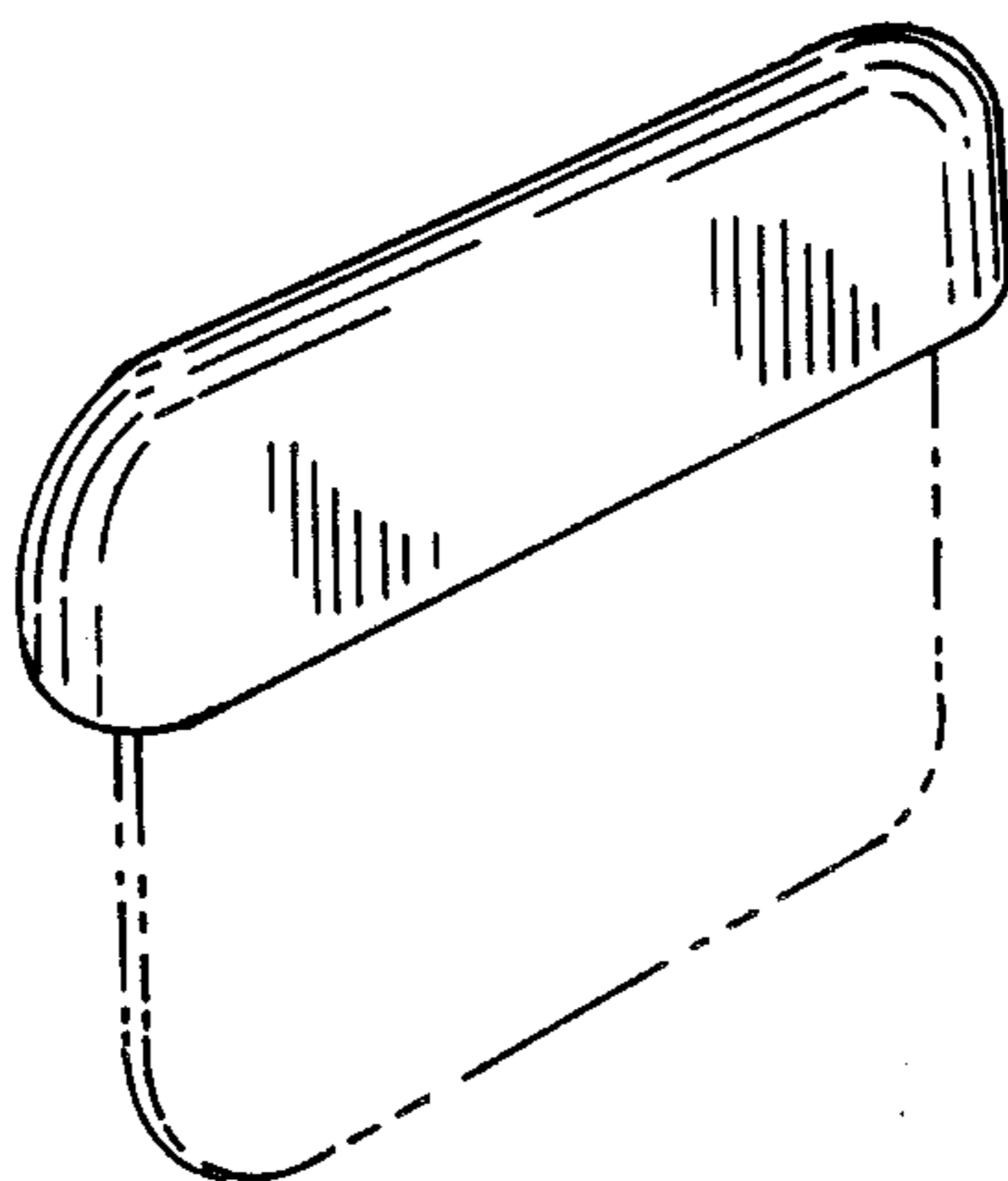


FIG. 1.

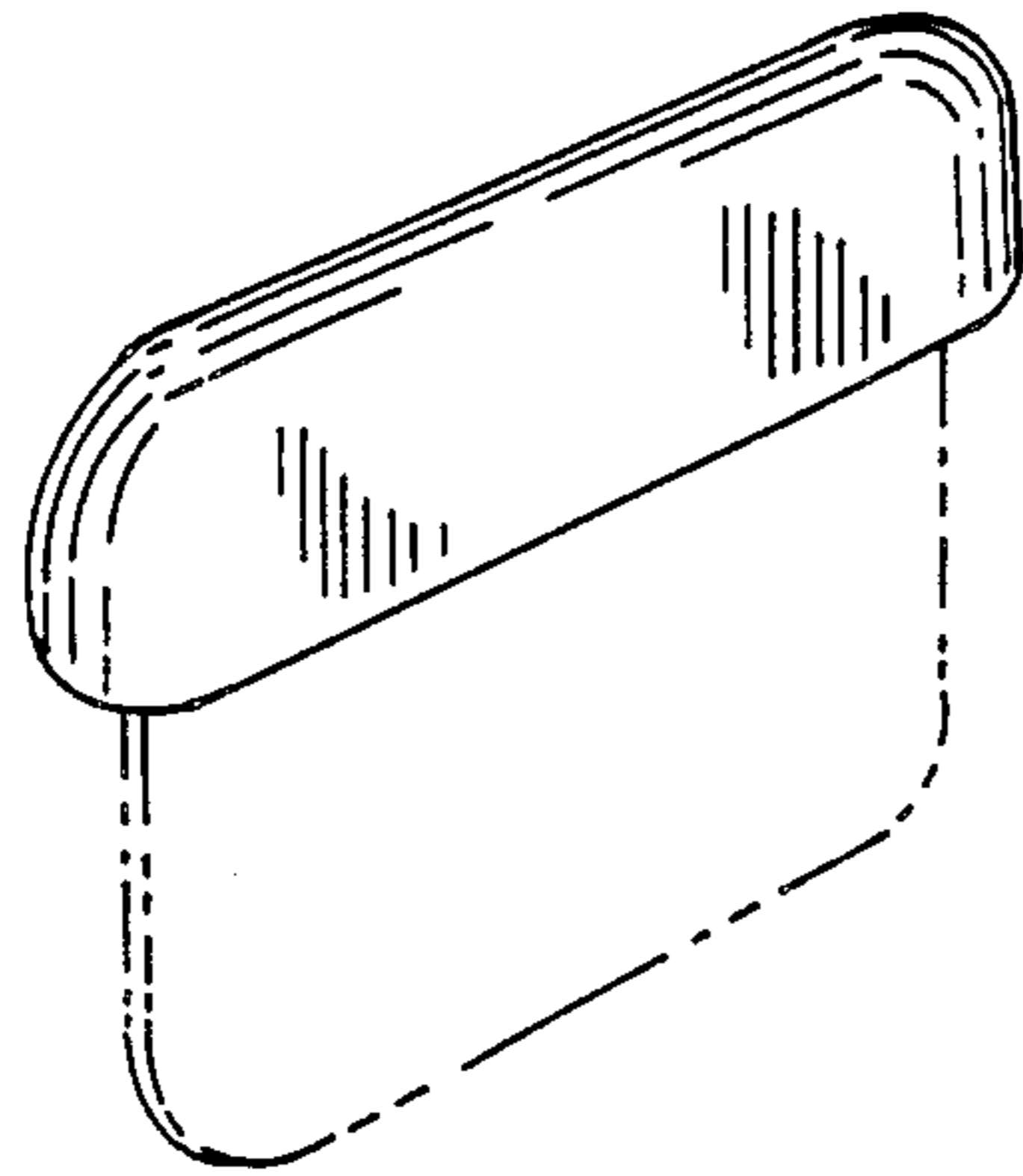


FIG. 2.

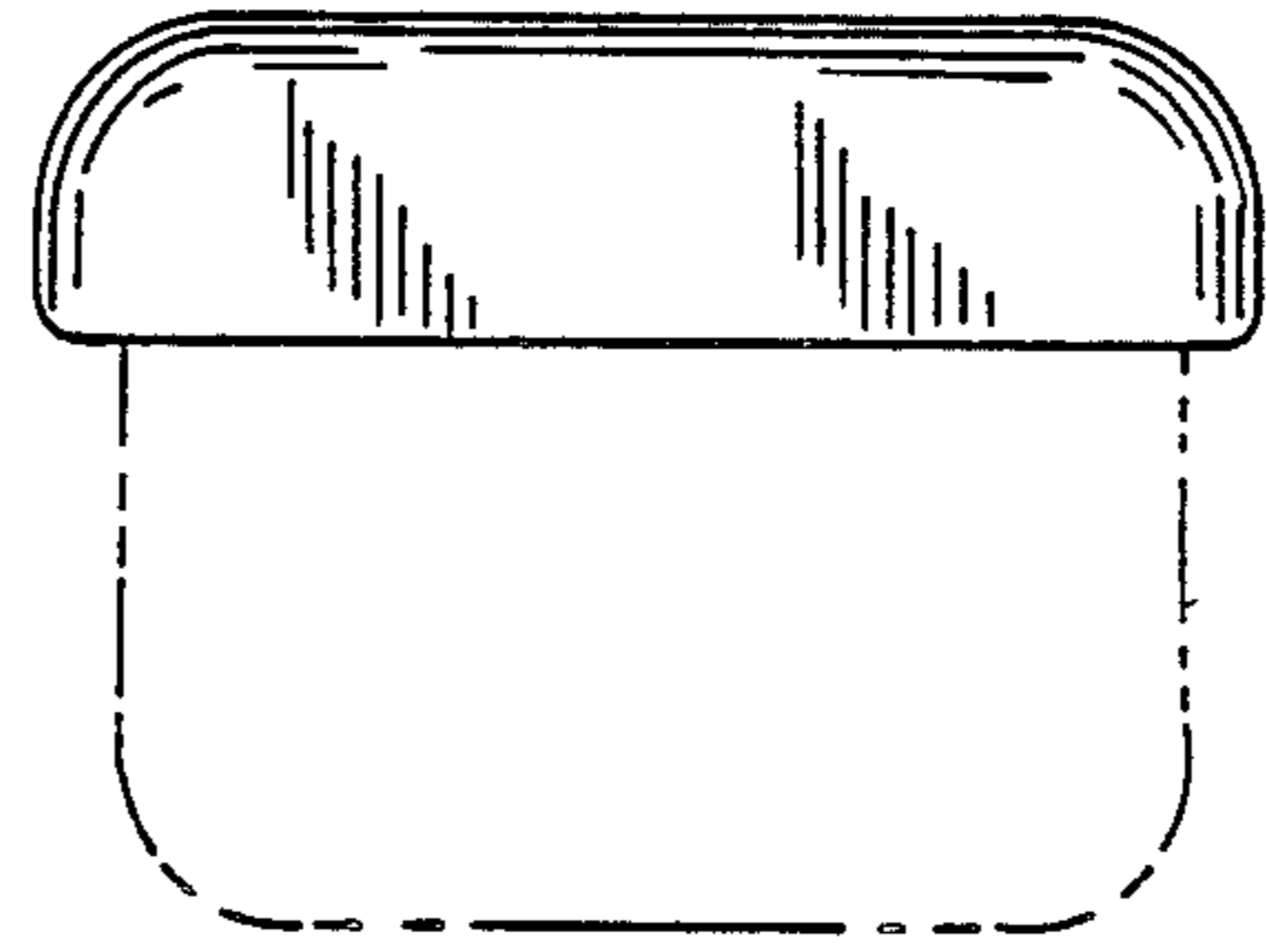


FIG. 3.

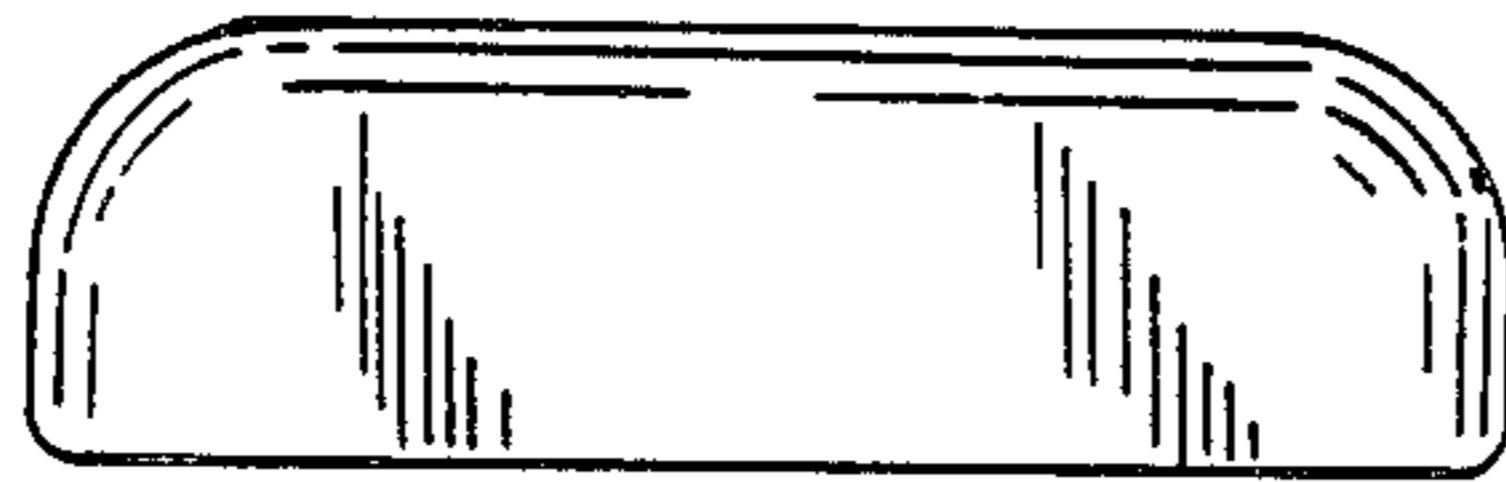


FIG. 6.



FIG. 4.

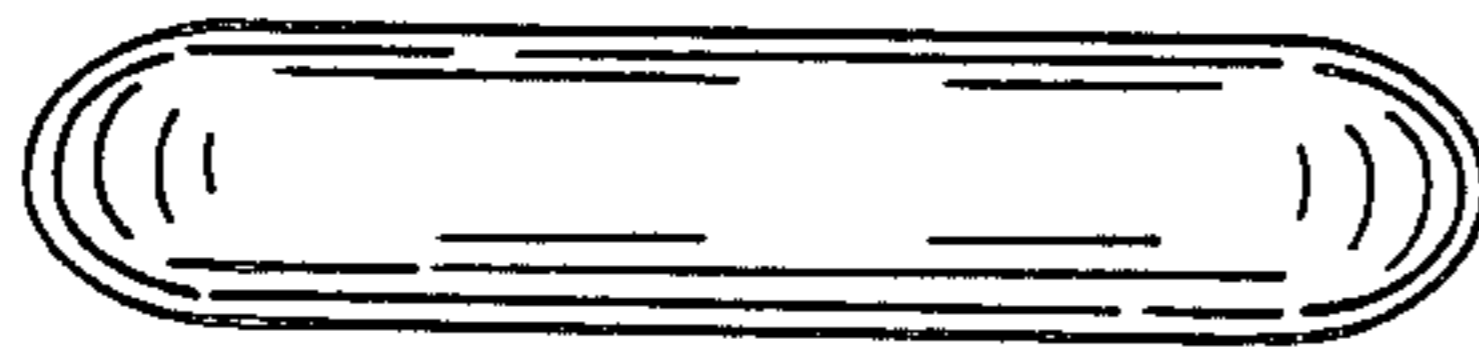


FIG. 7.



FIG. 5.

