

[54] COMBINED MOBILE IMAGING AND SCANNING MACHINE FOR RADIATION DETECTION

FOREIGN PATENT DOCUMENTS

0066917 12/1982 European Pat. Off. 250/363 SC

[76] Inventor: James R. Davis, 7122 Tiara La., La Palma, Calif. 90623

Primary Examiner—A. Hugo Word
Assistant Examiner—Stella M. Reid
Attorney, Agent, or Firm—Koda and Androlia

[**] Term: 14 Years

[57] CLAIM

[21] Appl. No.: 713,443

The ornamental design for a combined mobile imaging and scanning machine for radiation detection, as substantially shown and described.

[22] Filed: Mar. 19, 1985

DESCRIPTION

[52] U.S. Cl. D24/2; D24/1.1

[58] Field of Search D24/2, 1.1; 128/653, 128/654, 659; 250/363 SC, 363 SF

FIG. 1 is a front elevational view of a combined mobile imaging and scanning machine for radiation detection showing my new design and the rear side is identical; FIG. 2 is a top plan view thereof; FIG. 3 is a left side elevational view thereof; FIG. 4 is a right side elevational view thereof; FIG. 5 is a bottom plan view thereof; and FIG. 6 is a perspective view of a combined mobile imaging and scanning machine for radiation detection in operation.

[56] References Cited

U.S. PATENT DOCUMENTS

| | | | |
|-----------|--------|-----------------------|------------|
| 3,970,852 | 7/1976 | Richey et al. | 250/363 SF |
| 4,001,580 | 1/1977 | Mehrbrodt et al. | 250/363 SF |
| 4,590,378 | 5/1986 | Platz | 250/363 SF |

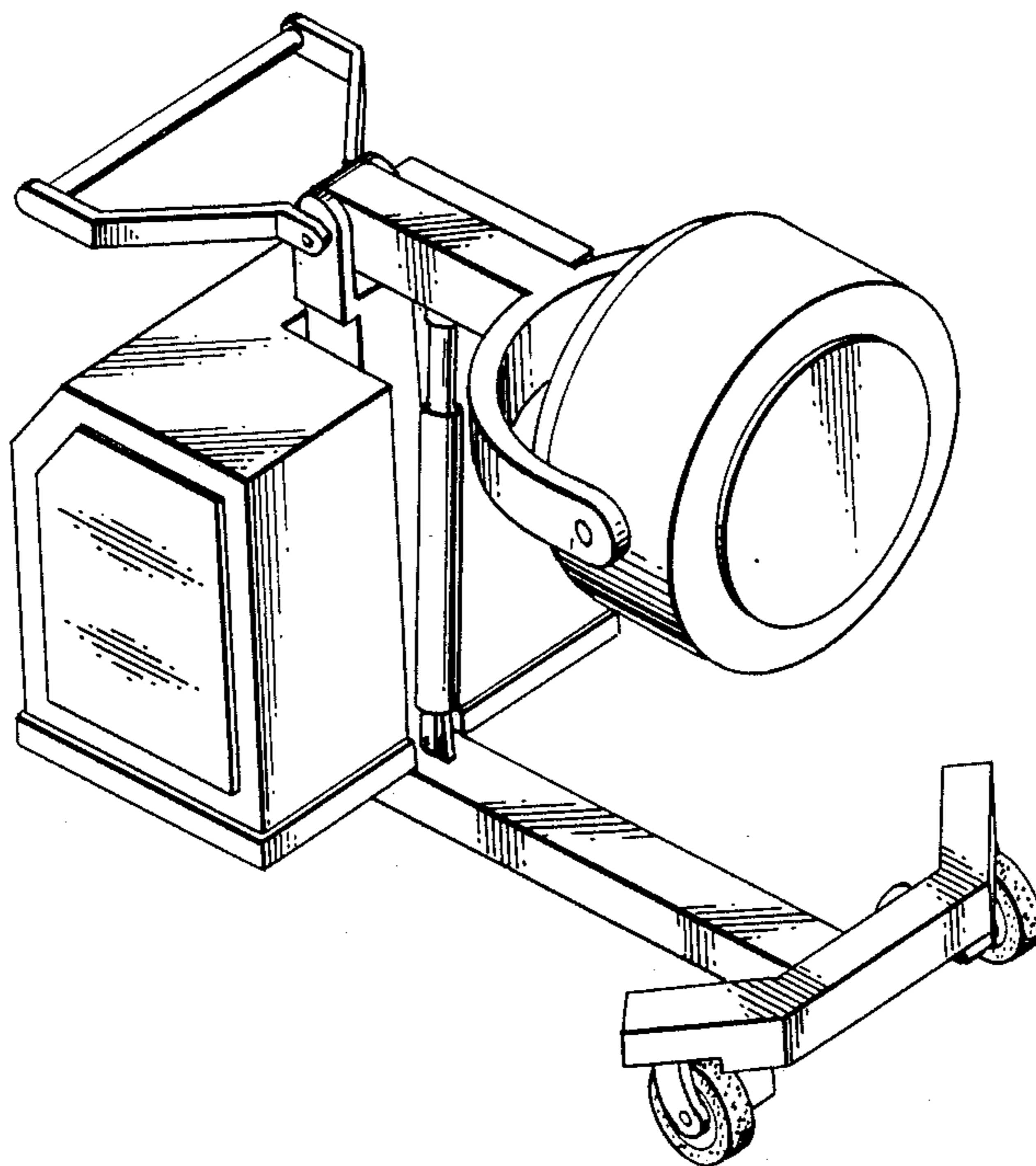


FIG. 1

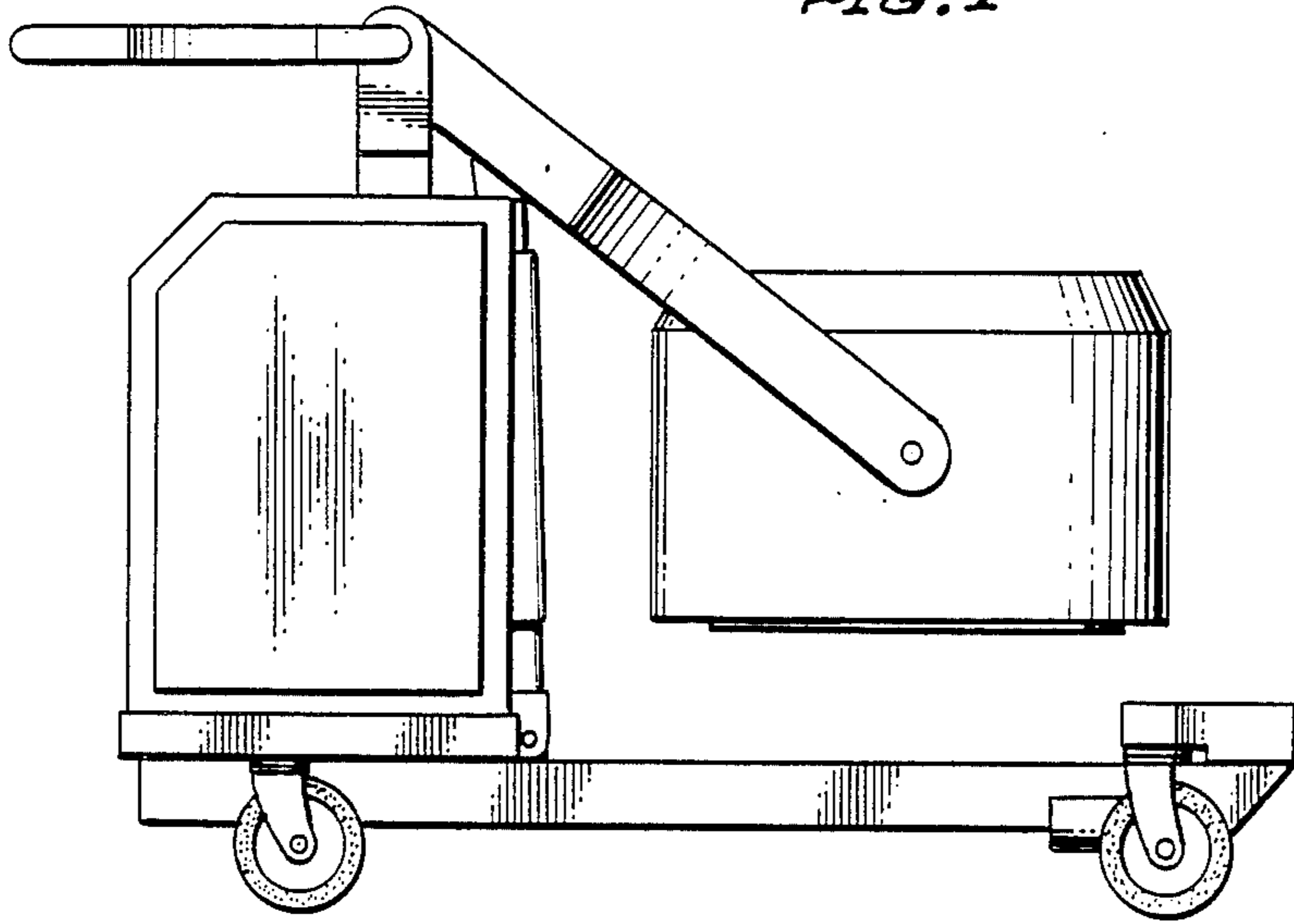


FIG. 2

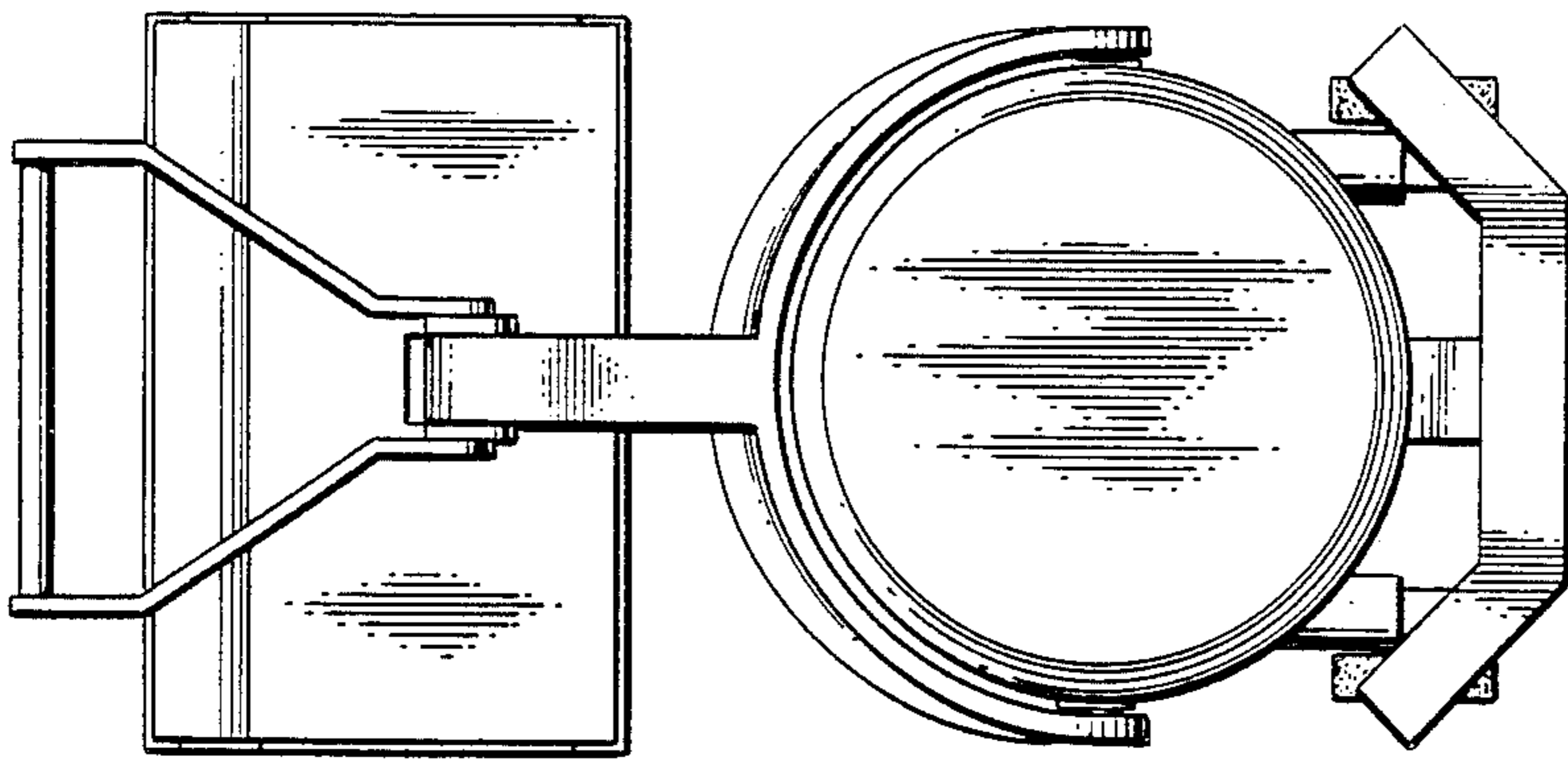


FIG. 3

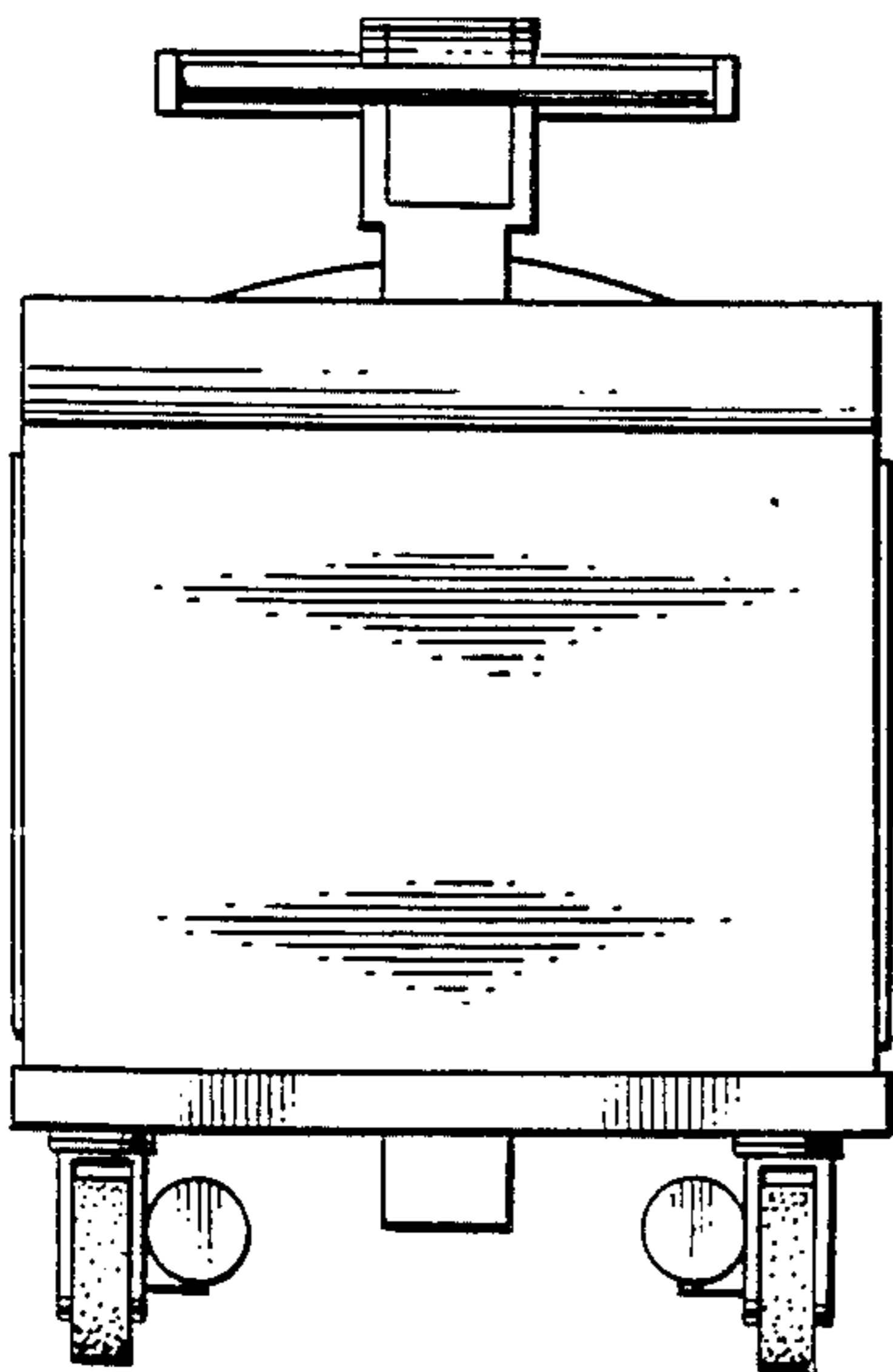


FIG. 4

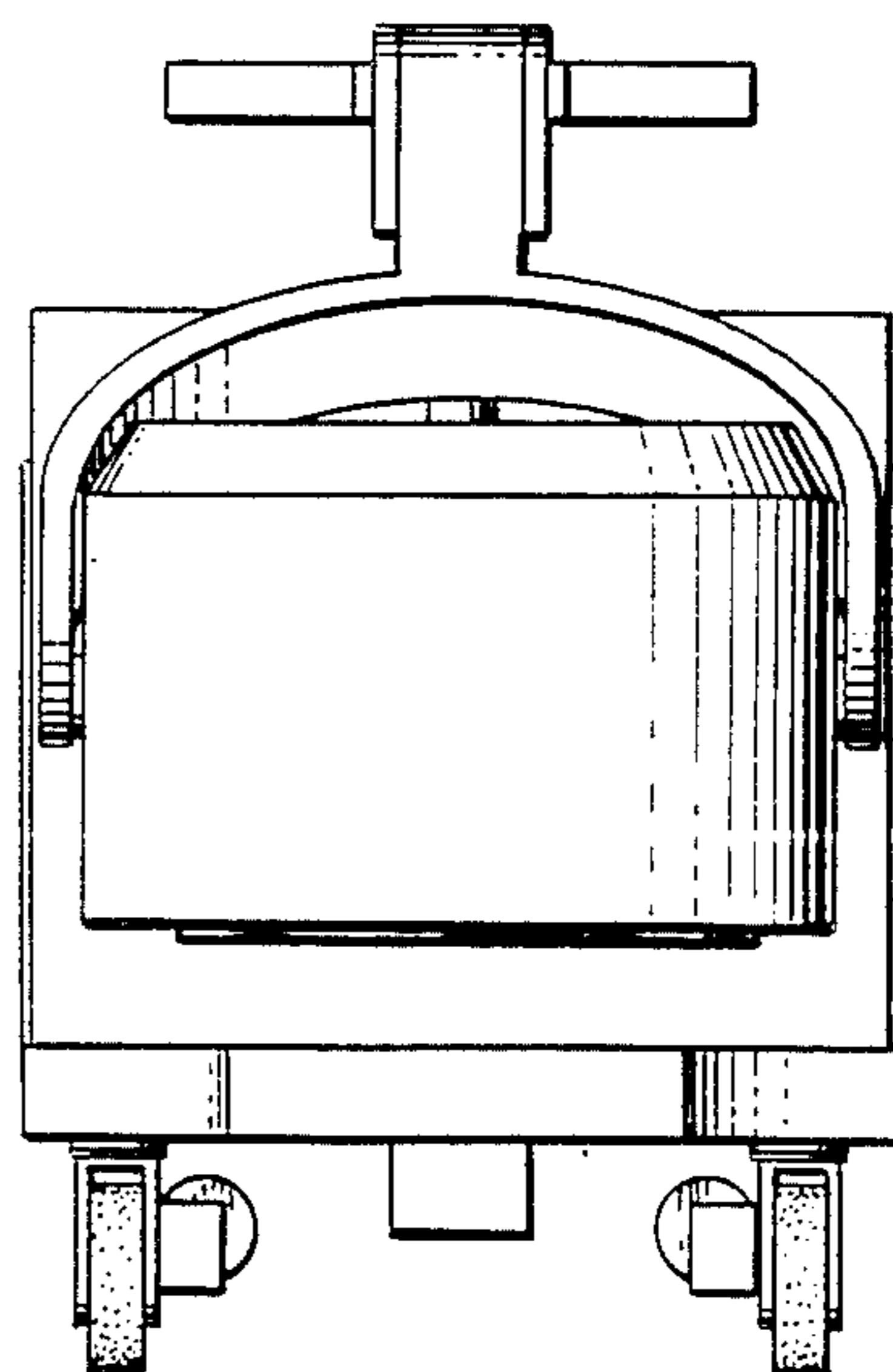


FIG. 5

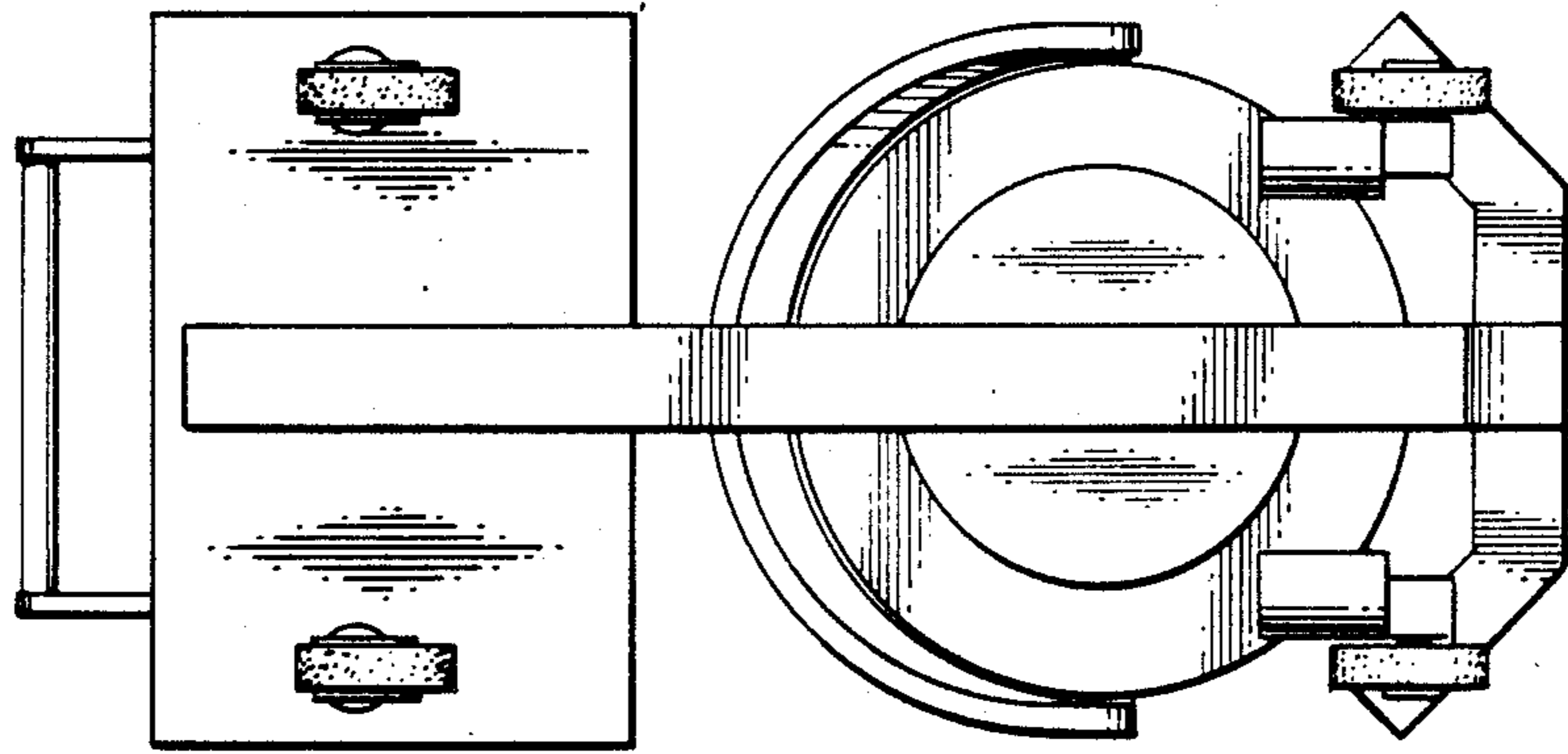


FIG. 6

