

[54] CHANNEL BODY FOR AN AIR SUPPLY REGISTER

[76] Inventor: Knut E. Bergdahl, Kvartergränd 4, S-852 52 Sundsvall, Sweden

[**] Term: 14 Years

[21] Appl. No.: 812,716

[22] Filed: Feb. 12, 1986

Related U.S. Application Data

[63] Continuation of Ser. No. 577,259, Feb. 6, 1984.

[52] U.S. Cl. D23/112

[58] Field of Search D23/112-116, D23/139-151, 163-164; 98/38, 40.12-40.19, 40.1-40.9, 40.21-40.25, 40.29, 121.1-121.2, 101-105, 106-110, 111-114; D121/107, 108

[56] **References Cited**

U.S. PATENT DOCUMENTS

- D. 199,099 9/1964 Averim D23/112
- D. 201,653 7/1965 Person D23/112
- D. 279,601 7/1985 Sexton D23/112

Primary Examiner—Wallace R. Burke

Assistant Examiner—Brian N. Vinson

[57] **CLAIM**

The ornamental design for a channel body for an air supply register, as shown and described.

DESCRIPTION

FIG. 1 is a bottom perspective view of the channel body for an air supply register, showing my new design; and
FIG. 2 is a top perspective view thereof.

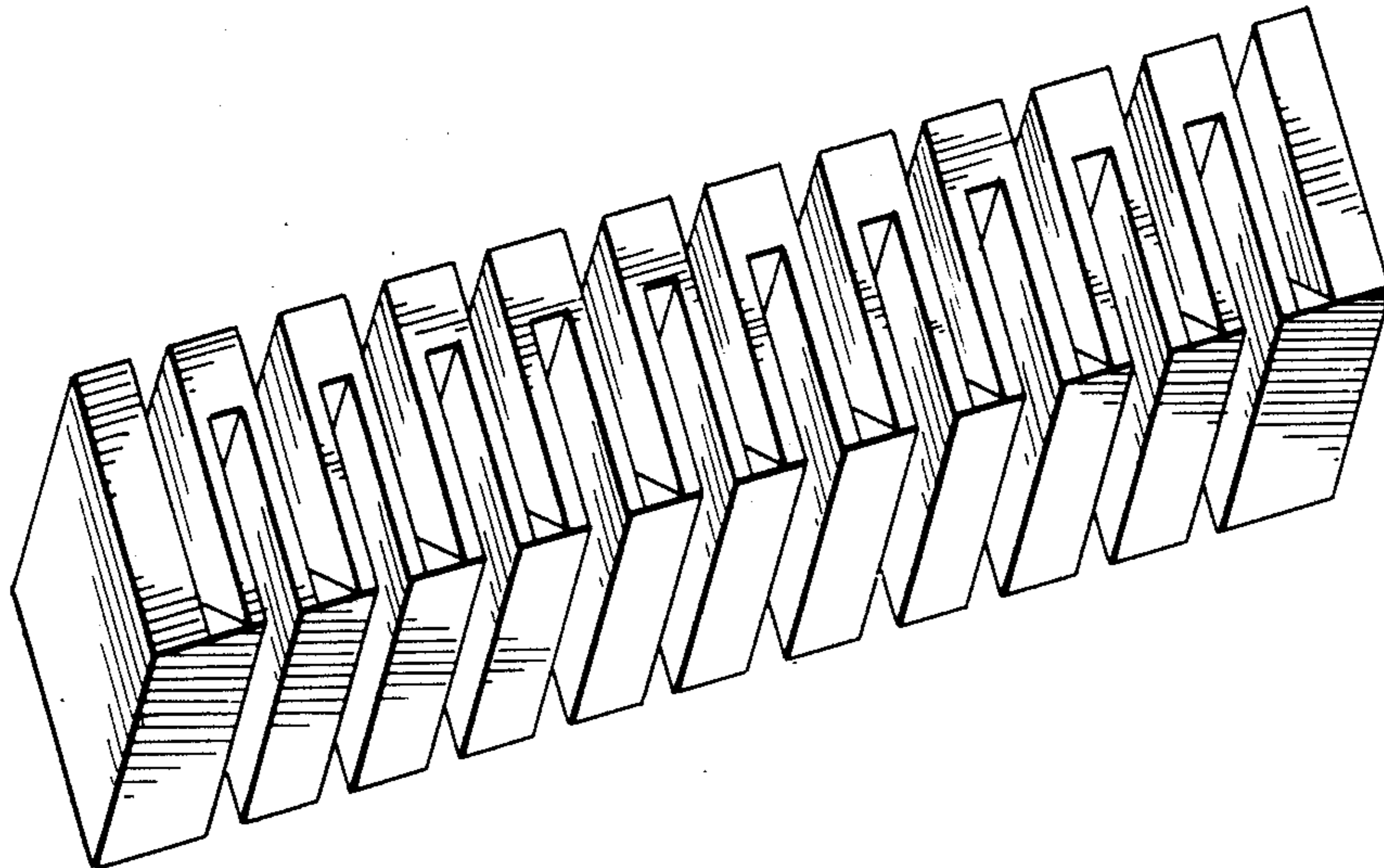


FIG. 1

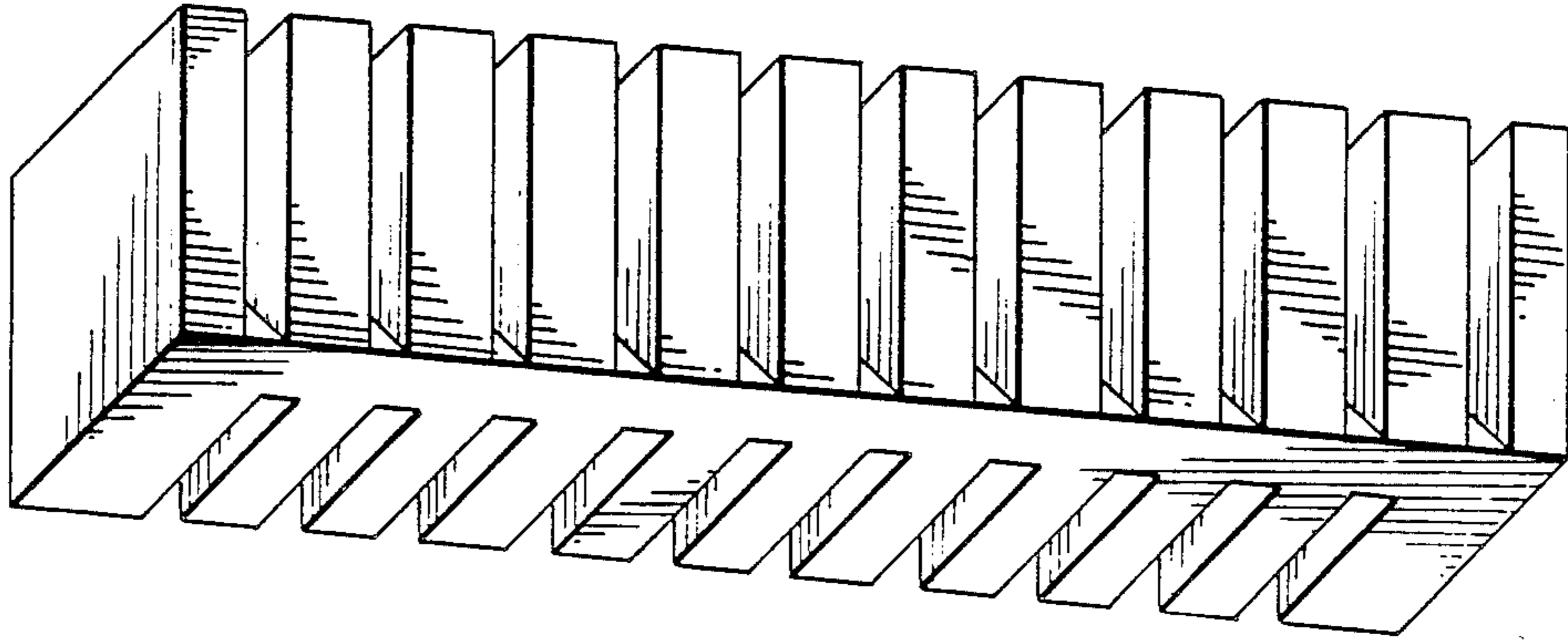


FIG. 2

