

[54] GAS FIRE

[75] Inventors: Roger Tucker, Kidderminster; Paul A. Gillam, Great Barr; Peter Wright, Sutt on Coldfield; Donald Whitehouse, Castle Bromwich; Michael C. Broadbent, West Heath; Charles Moran, Willenhall, all of England

[73] Assignee: Valor Heating Limited, London, England

[*] Notice: The portion of the term of this patent subsequent to Jul. 7, 2001 has been disclaimed.

[**] Term: 14 Years

[21] Appl. No.: 713,859

[22] Filed: Mar. 20, 1985

[30] Foreign Application Priority Data

Oct. 3, 1984 [GB] United Kingdom 1022430
Nov. 7, 1984 [GB] United Kingdom 1023152
[52] U.S. Cl. D23/97; D23/106; D23/107

[58] Field of Search D23/92, 93, 97, 106, D23/107, 108; 431/125; 126/92 R, 92 AC

[56] References Cited

U.S. PATENT DOCUMENTS

- D. 207,980 6/1967 Mango D23/107
- D. 213,959 4/1969 Klein D23/94
- D. 216,513 1/1970 Miles et al. D23/93
- D. 225,404 12/1972 Minick D23/94
- D. 228,348 9/1973 Derringer et al. D23/94

OTHER PUBLICATIONS

Montgomery Ward's Winter Sale Catalog-1972-p. 208-Fireplace #74GS21500R.

Primary Examiner—Catherine E. Kemper
Attorney, Agent, or Firm—Staas & Halsey

[57] CLAIM

The ornamental design for a gas fire, as shown.

DESCRIPTION

FIG. 1 is a front perspective view of a gas fire showing our new design;
FIG. 2 is a front elevational view thereof;
FIG. 3 is a rear elevational thereof;
FIG. 4 is a right side elevational view thereof;
FIG. 5 is a left side elevational view thereof; and
FIG. 6 is a top plan view thereof.

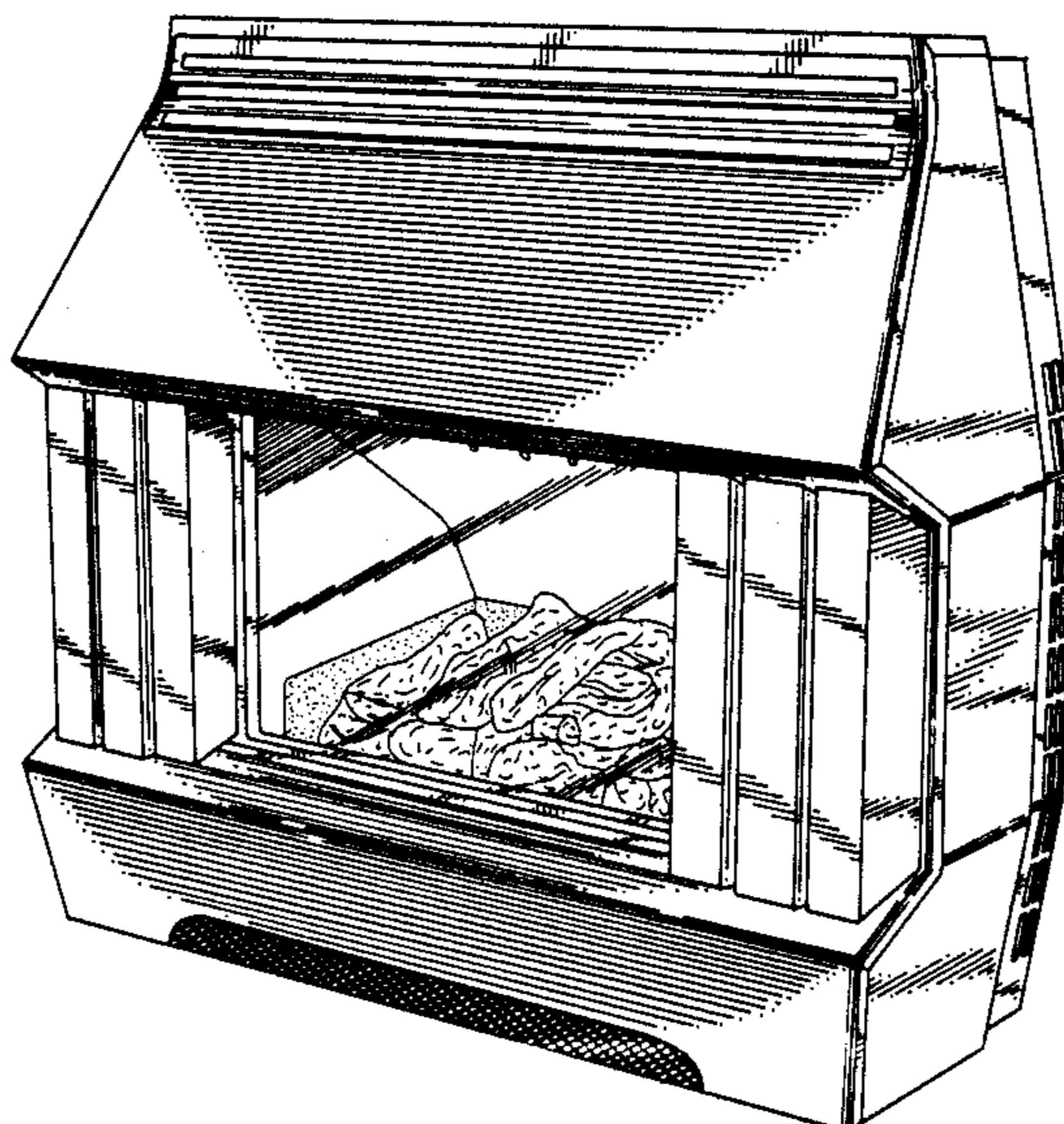


FIG. 1

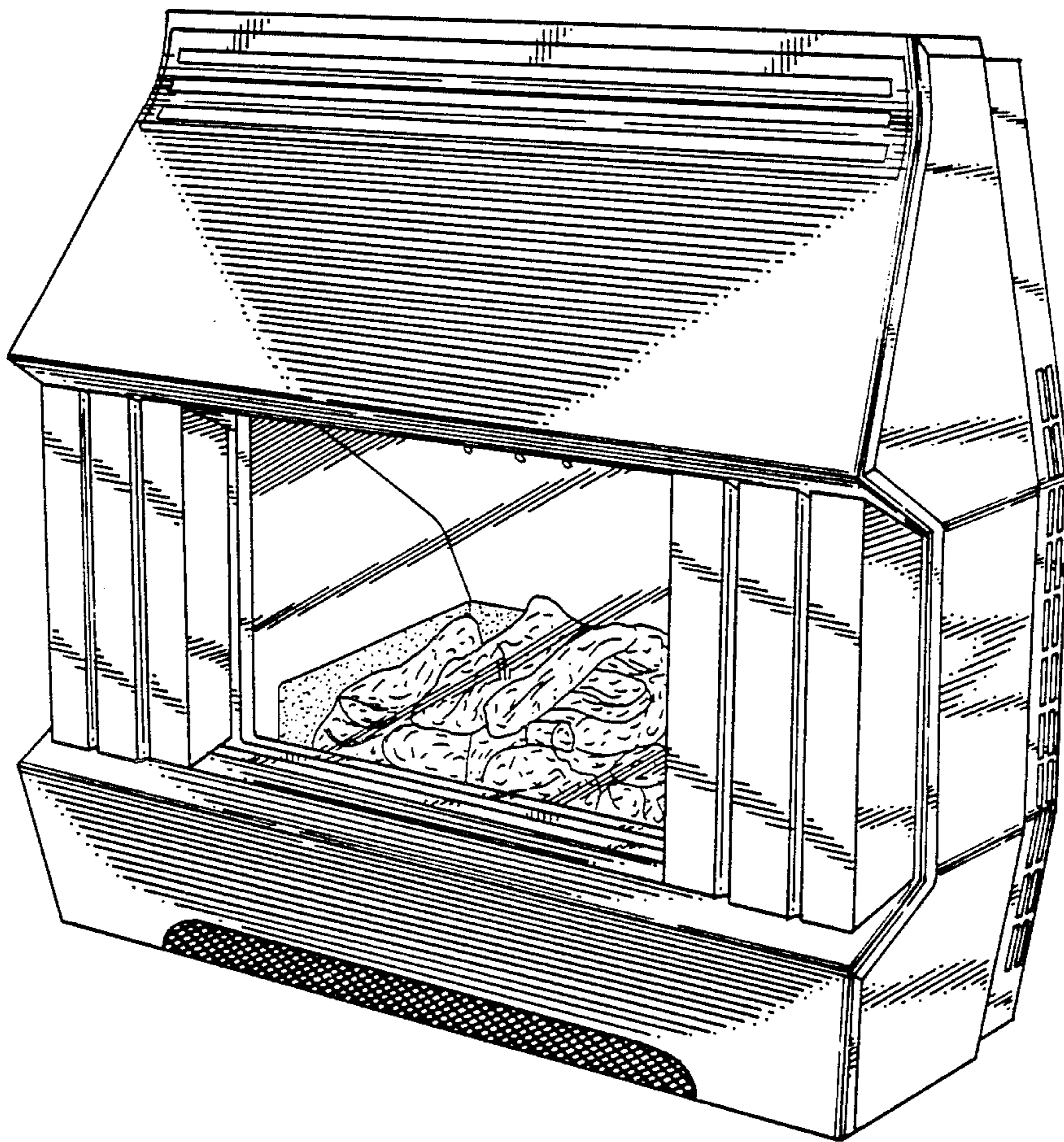


FIG. 2

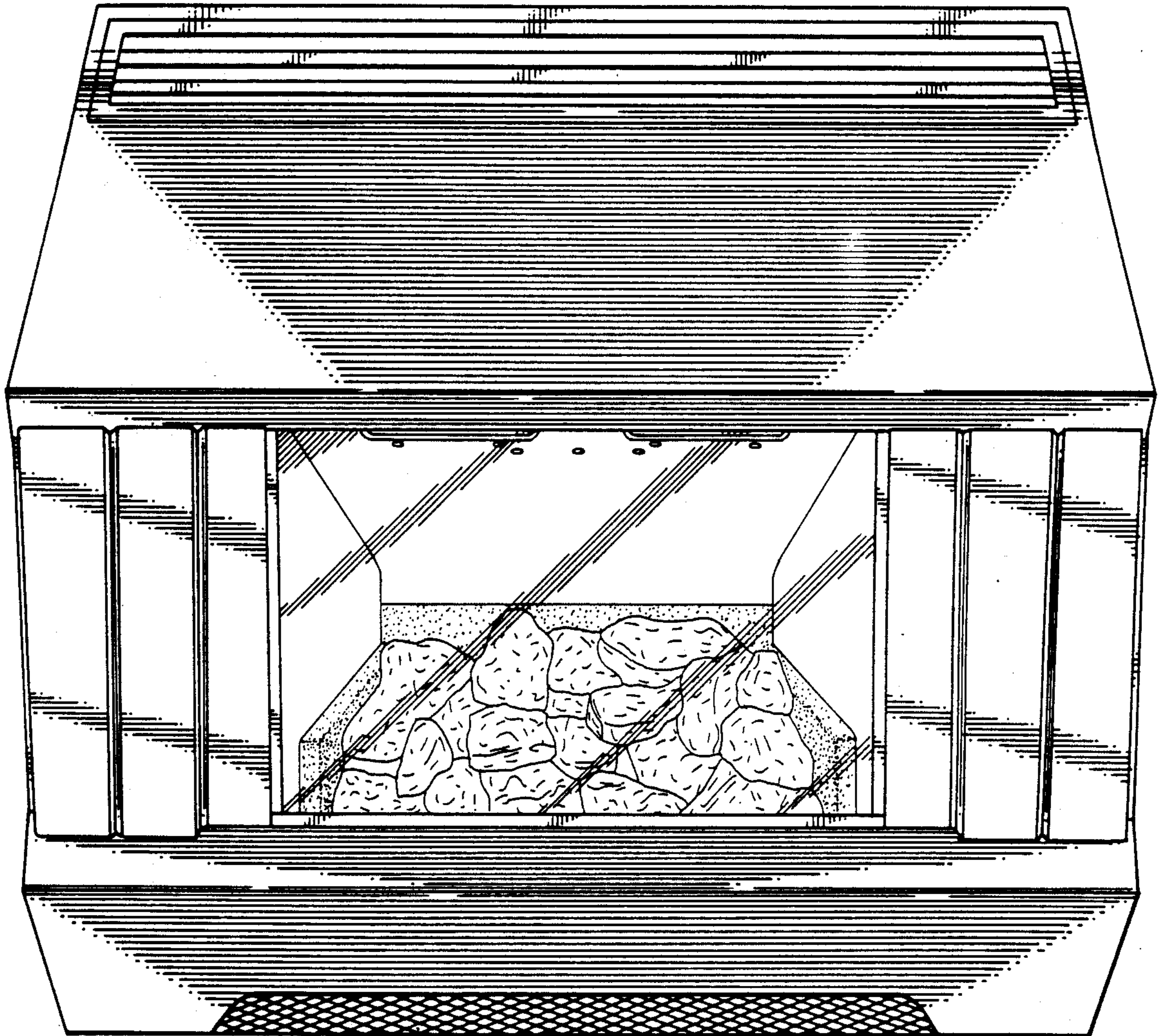


FIG. 3

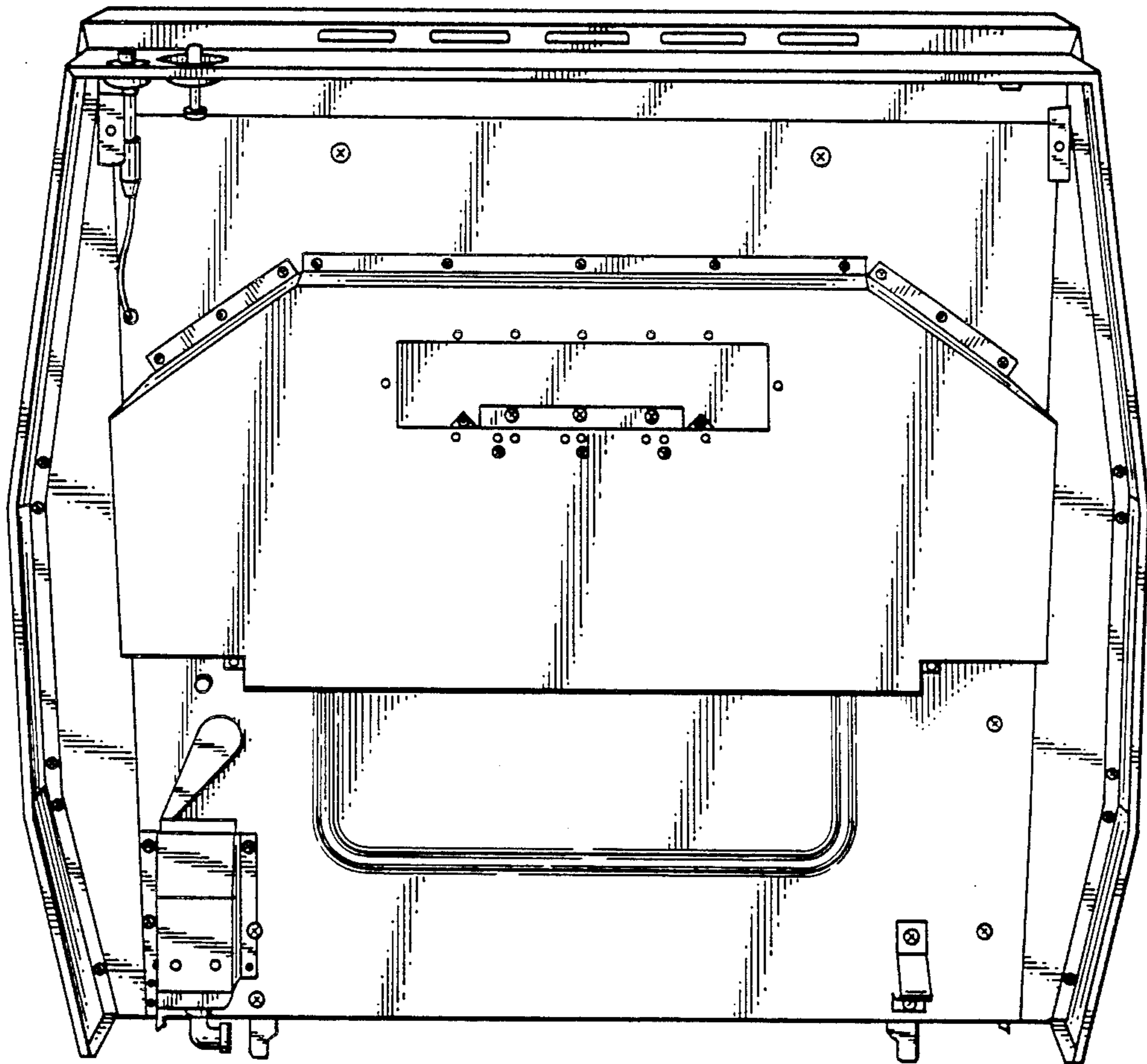


FIG. 4

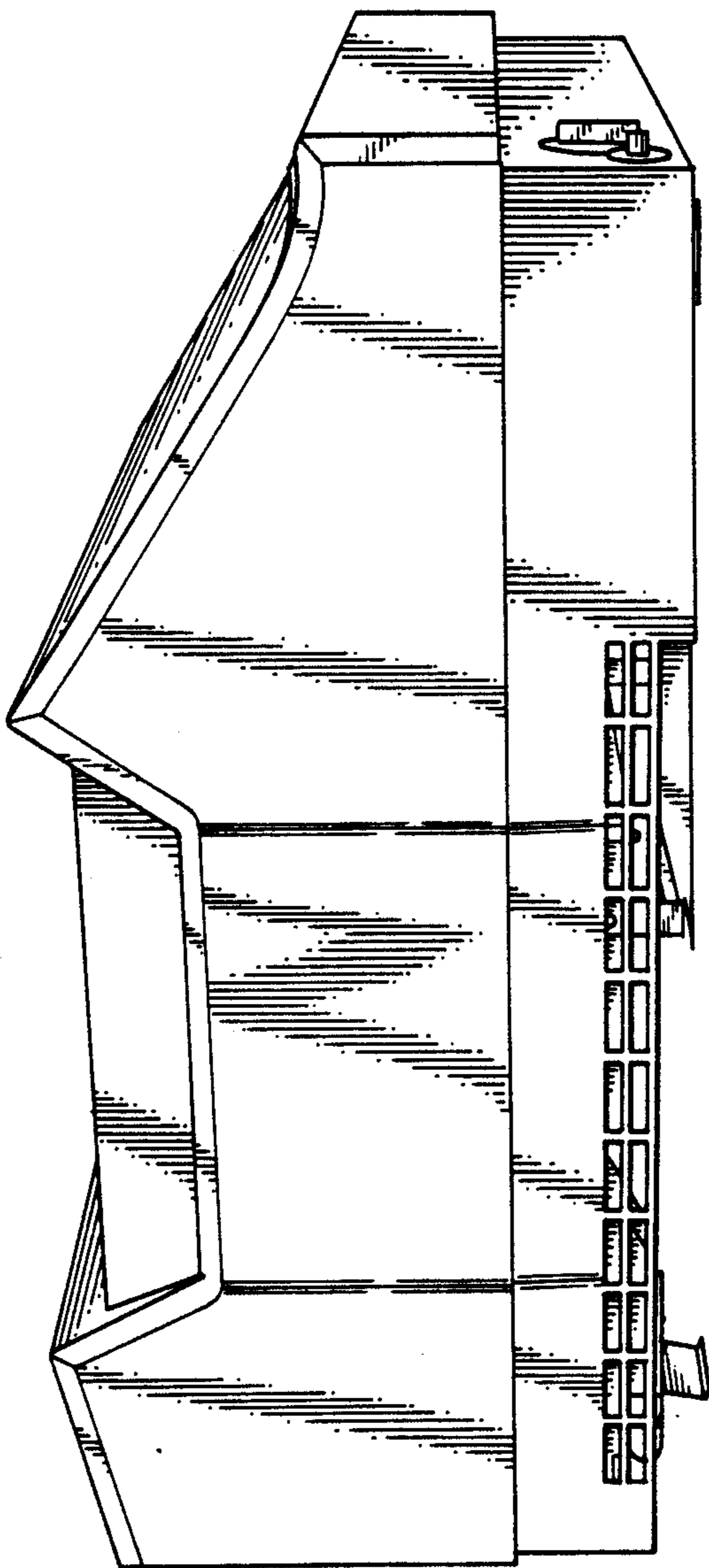


FIG. 5

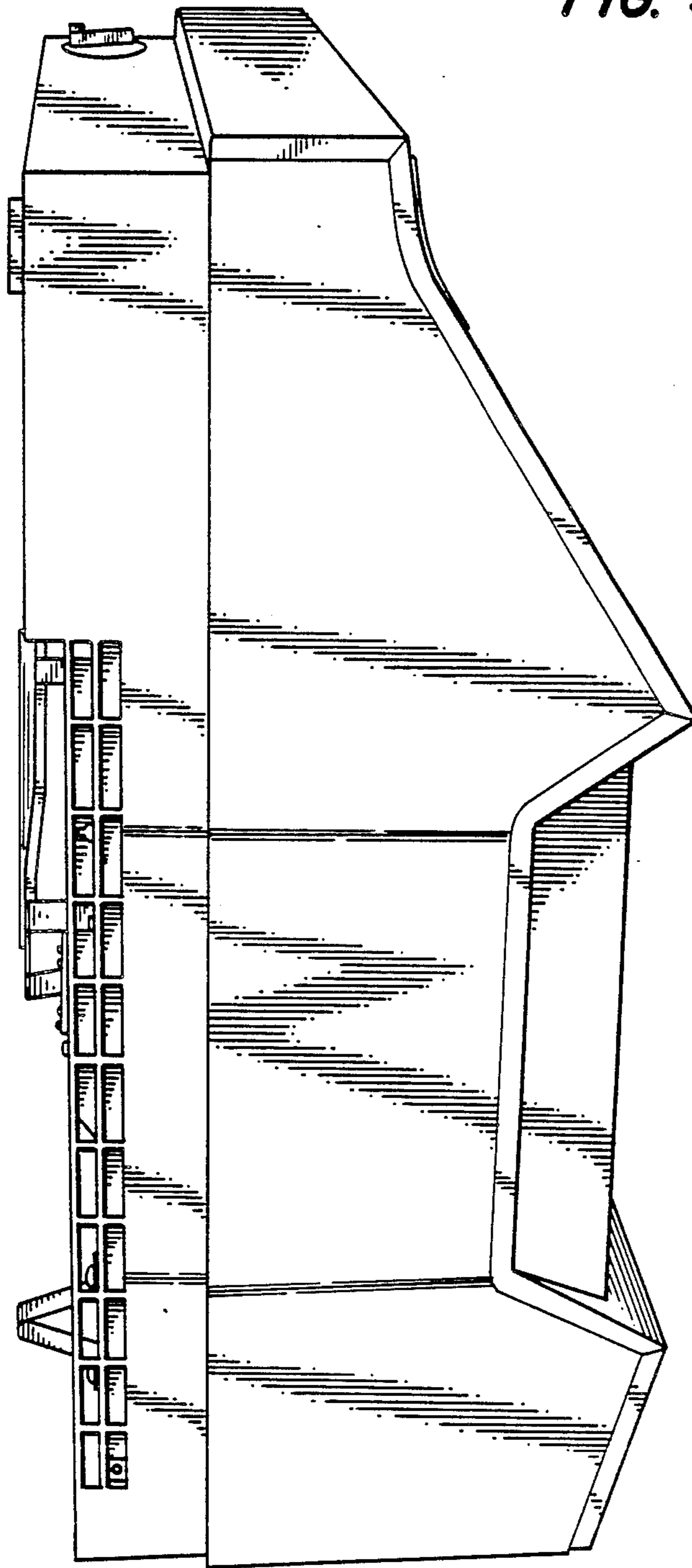


FIG. 6

