

[54] COMBINED HAND SHOWER, ADJUSTABLE HOLDER AND ARTICLE HOLDER

[75] Inventor: Wolfgang Fabian, Mannheim, Fed. Rep. of Germany

[73] Assignee: American Standard Inc., New York, N.Y.

[**] Term: 14 Years

[21] Appl. No.: 777,476

[22] Filed: Sep. 18, 1985

[30] Foreign Application Priority Data

Mar. 19, 1985 [DE] Fed. Rep. of Germany 20 MR 0250

[52] U.S. Cl. D23/35; D23/57; D6/532; 4/567; 4/615

[58] Field of Search D23/23-32, D23/35, 57; D6/532; 4/567, 568, 570, 615; 248/758, 309.1; 239/280.5, 281, 282, 283, 588

[56] References Cited

U.S. PATENT DOCUMENTS

D. 194,229 12/1962 Landell et al. D23/31

D. 203,795	2/1966	Harvey et al.	D23/31
D. 241,440	9/1976	Doman	D23/31
D. 263,989	4/1982	Fleischmann	D23/31
D. 267,582	1/1983	MacKag et al.	D23/35
D. 269,540	6/1983	Larsson	D23/35
D. 274,352	6/1984	Haug	D23/57
D. 274,457	6/1984	Haug	D23/57
3,837,013	9/1974	Davis et al.	248/75 X
4,174,822	11/1979	Larsson	248/75
4,271,543	6/1981	Martin	4/615

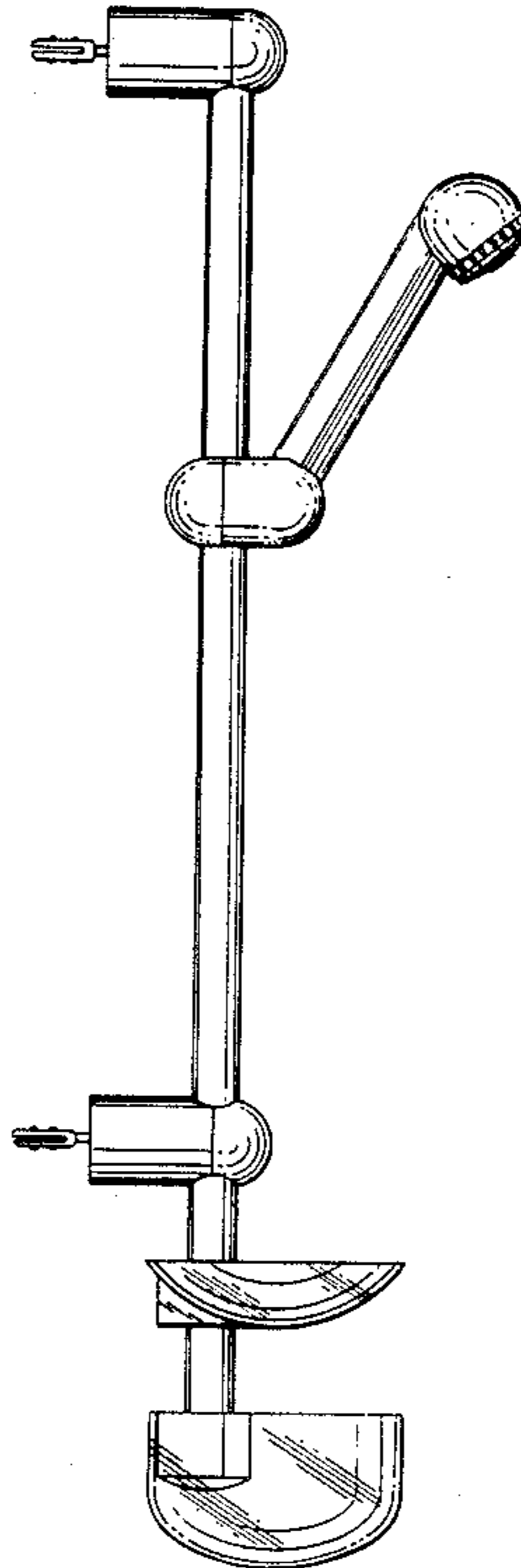
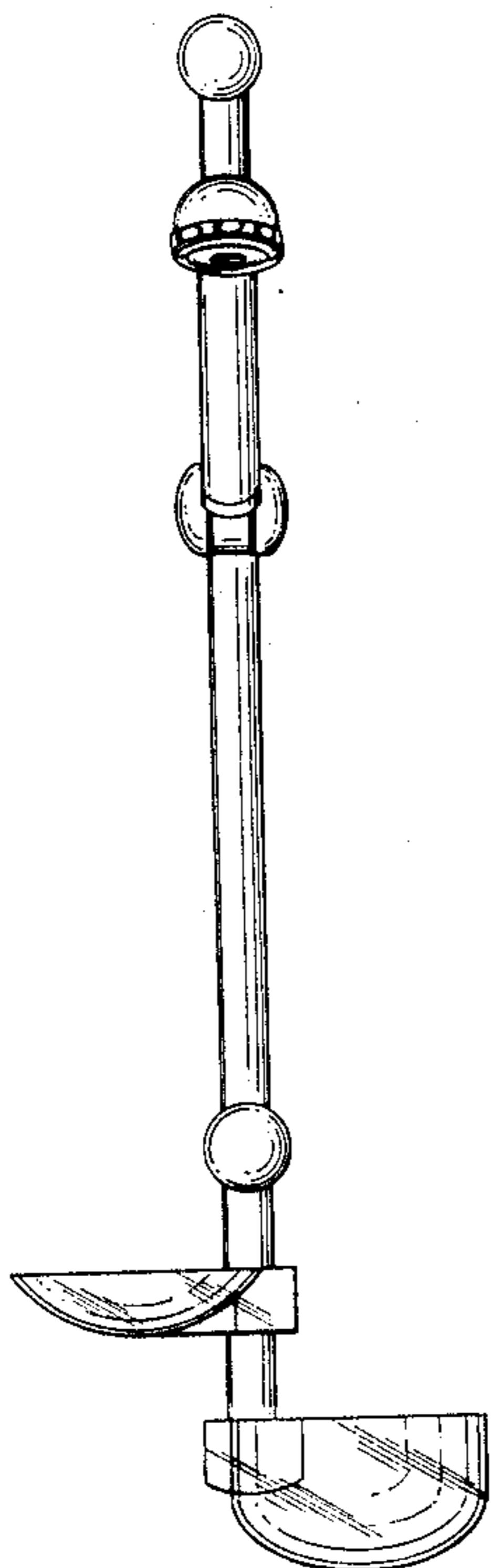
Primary Examiner—James R. Largen
Attorney, Agent, or Firm—James J. Salerno, Jr.; Robert G. Crooks; John P. Sinnott

[57] CLAIM

The ornamental design for a combined hand shower, adjustable holder and article holder, substantially as shown and described.

DESCRIPTION

FIG. 1 is a front elevational view of a combined hand shower, adjustable holder and article holder embodying my new design;
FIG. 2 is a right side elevational view thereof, the left side being a mirror image of the right side shown;
FIG. 3 is a top plan view thereof; and
FIG. 4 is a bottom plan view thereof.



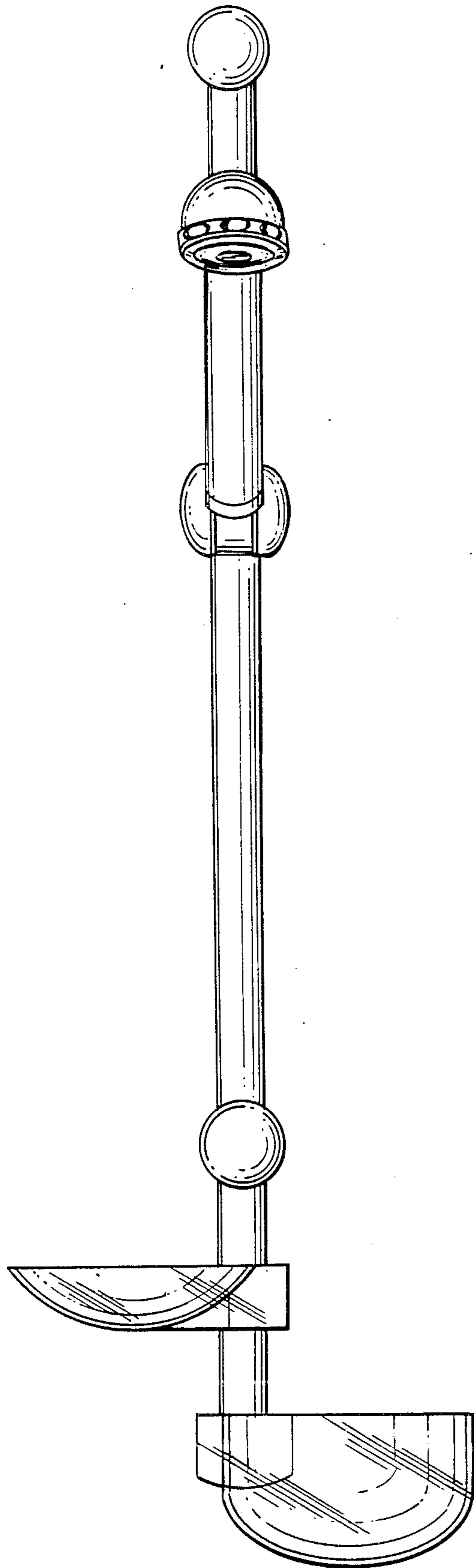


FIG. 1

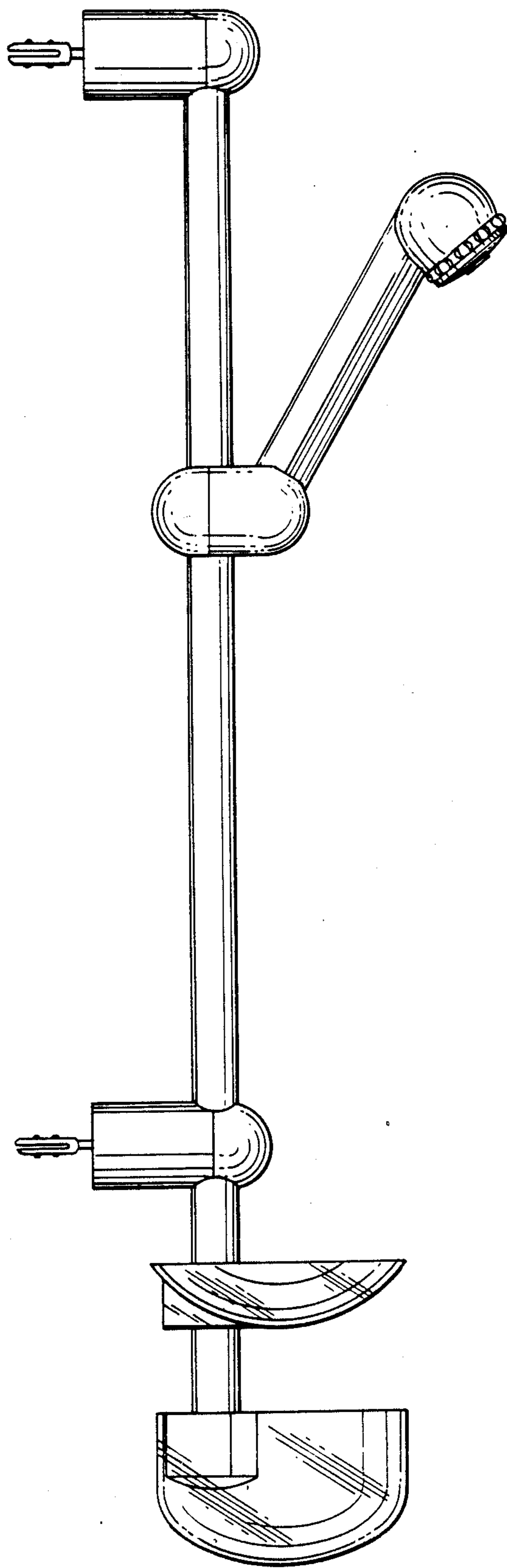


FIG. 2

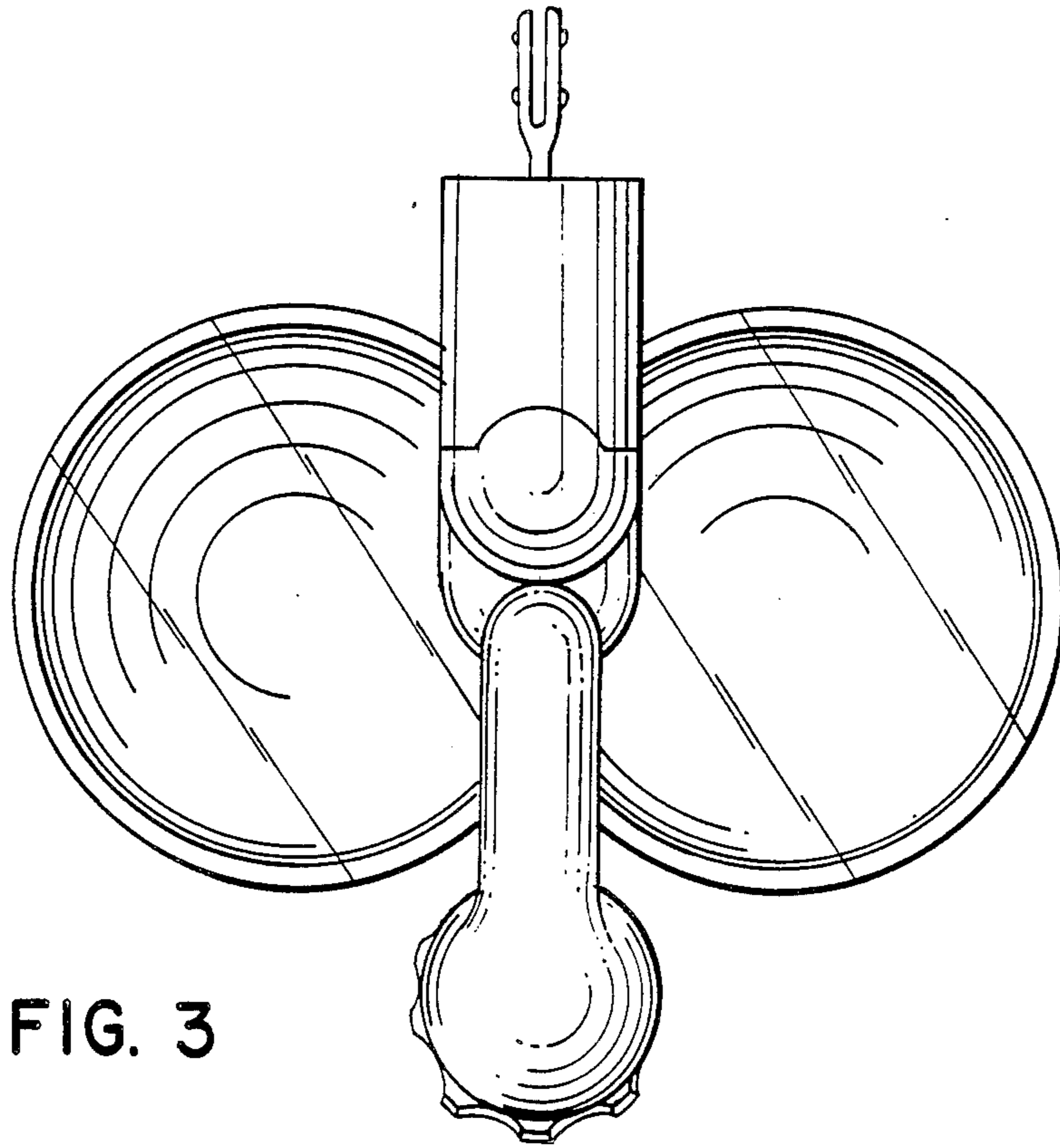


FIG. 3

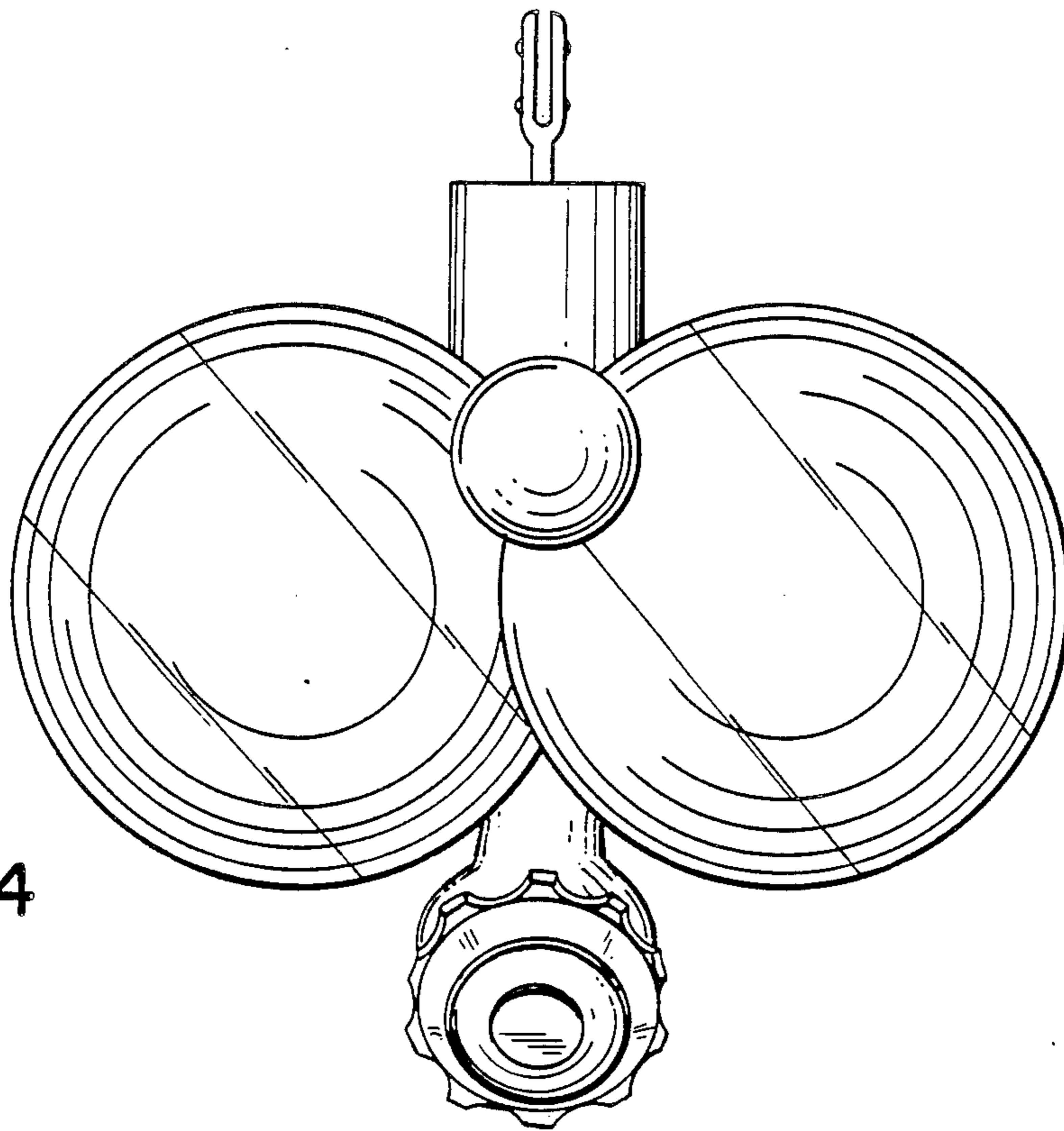


FIG. 4