

[54] SUBMERSIBLE UNIT FOR MIXING AND AERATION OF INDUSTRIAL EFFLUENT OR THE LIKE

[75] Inventor: Hjalmar Fries, Spanga, Sweden

[73] Assignee: ITT Industries, Inc., New York, N.Y.

[\*\*] Term: 14 Years

[21] Appl. No.: 648,903

[22] Filed: Sep. 7, 1984

[30] Foreign Application Priority Data

Mar. 7, 1984 [SE] Sweden ..... 840780

[52] U.S. Cl. .... D23/1

[58] Field of Search ..... D23/1-3; D15/147, 7, 122; 366/1, 64, 97-98, 244, 263-266, 270, 318; 261/87; 417/430

[56] References Cited

U.S. PATENT DOCUMENTS

D. 282,371 1/1986 Johansson ..... D23/1 X

3,133,728 5/1964 Janke ..... 366/64  
4,194,925 3/1980 Holbrook et al. .... 366/64 X  
4,464,259 8/1984 Cramer et al. .... 210/236 X

Primary Examiner—Wallace R. Burke  
Assistant Examiner—Brian N. Vinson  
Attorney, Agent, or Firm—Menotti J. Lombardi

[57] CLAIM

The ornamental design for a submersible unit for mixing and aeration of industrial effluent or the like, as shown.

DESCRIPTION

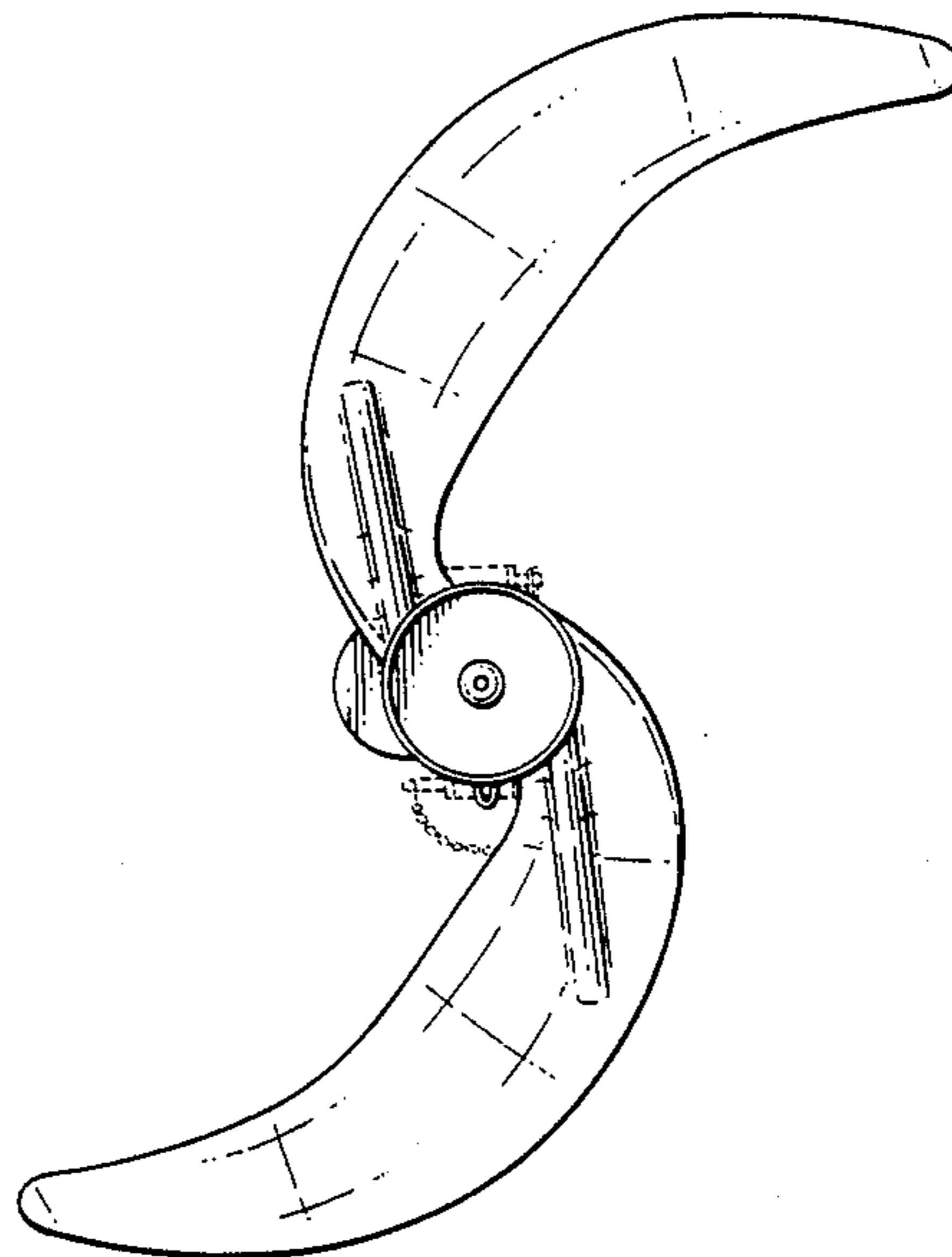
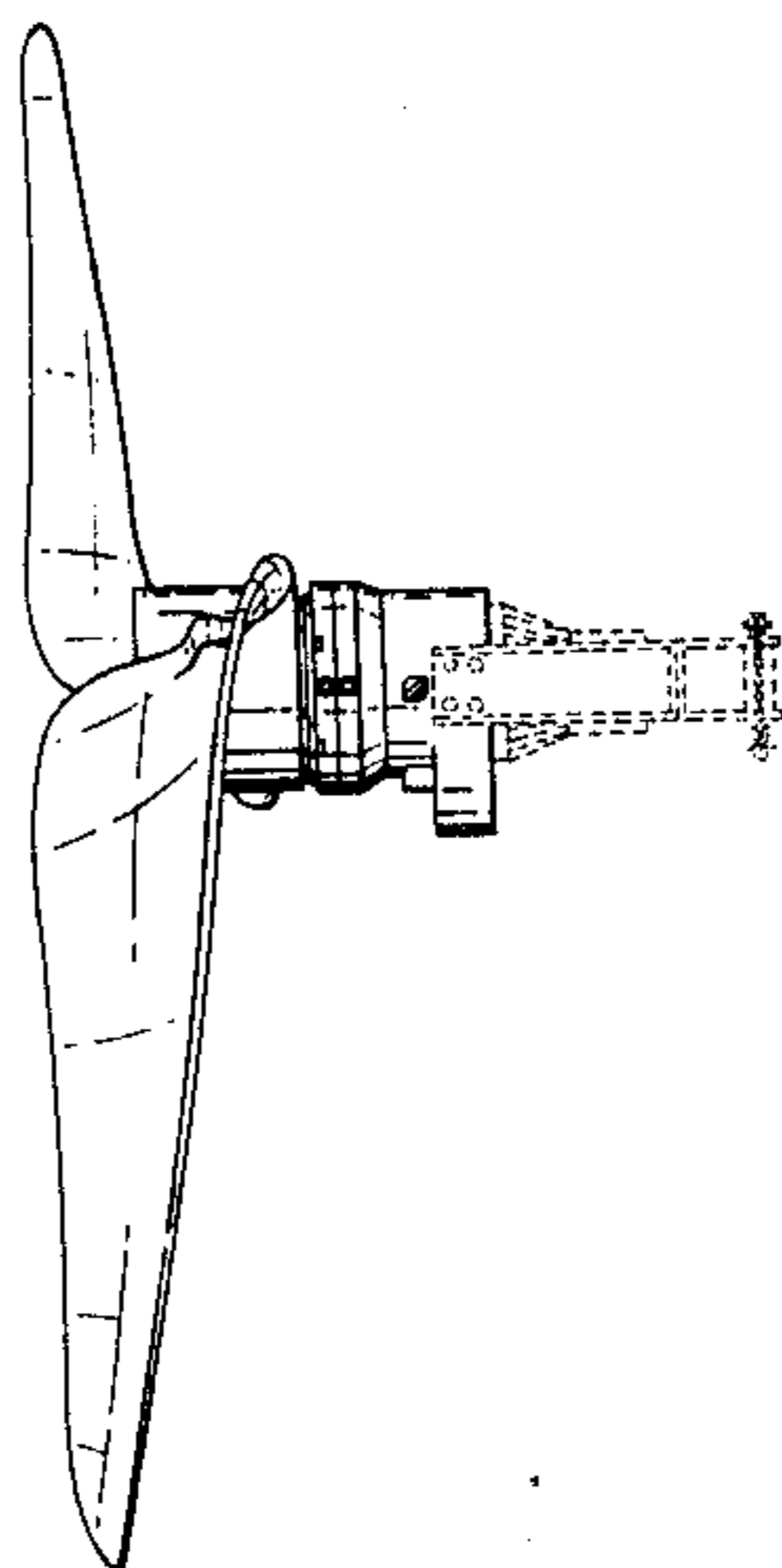
FIG. 1 is a rear elevational view of a submersible unit for mixing and aeration of industrial effluent or the like showing my new design;

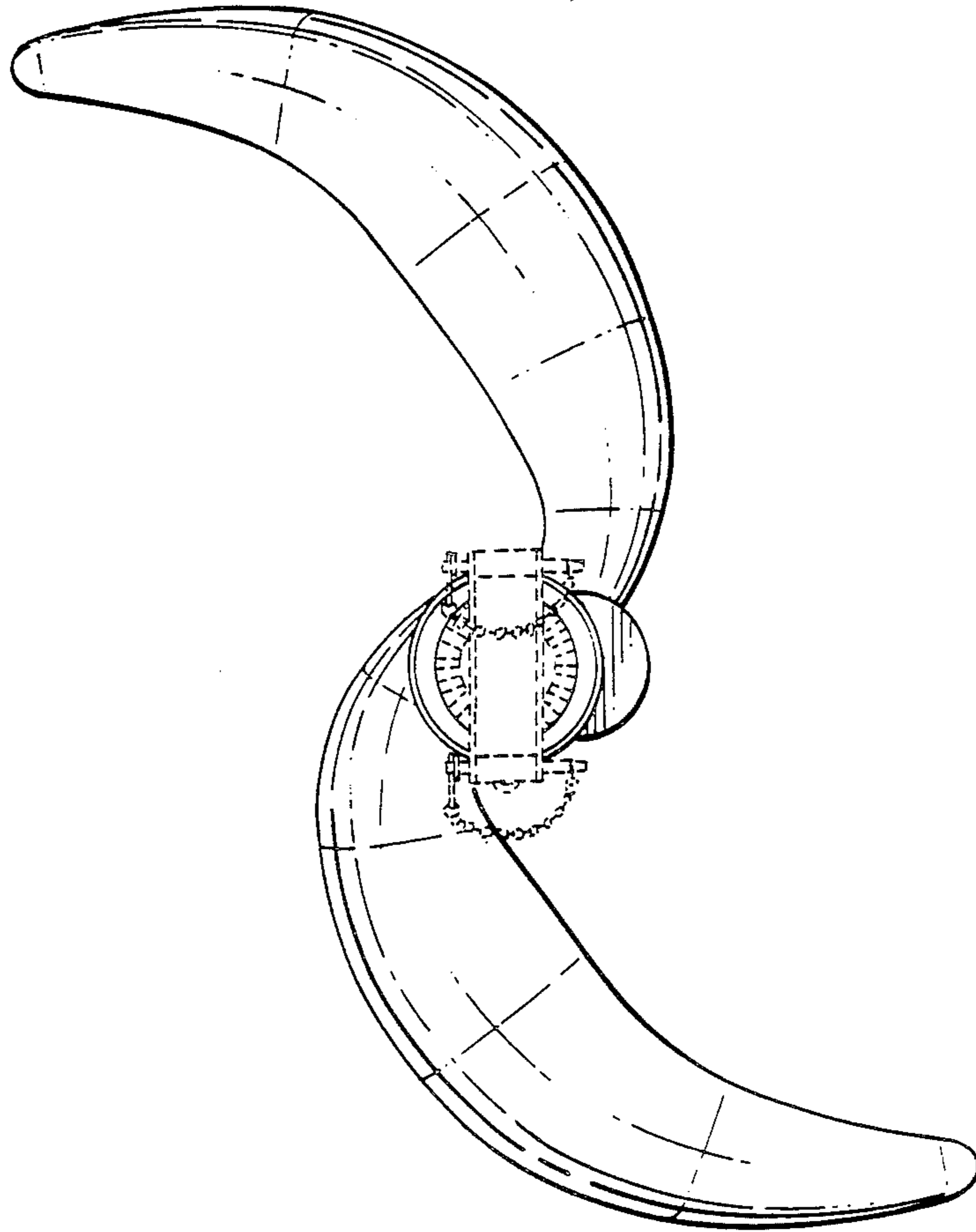
FIG. 2 is a right side elevational view thereof, the left side being substantially the same;

FIG. 3 is a top plan view thereof, the bottom being substantially the same; and

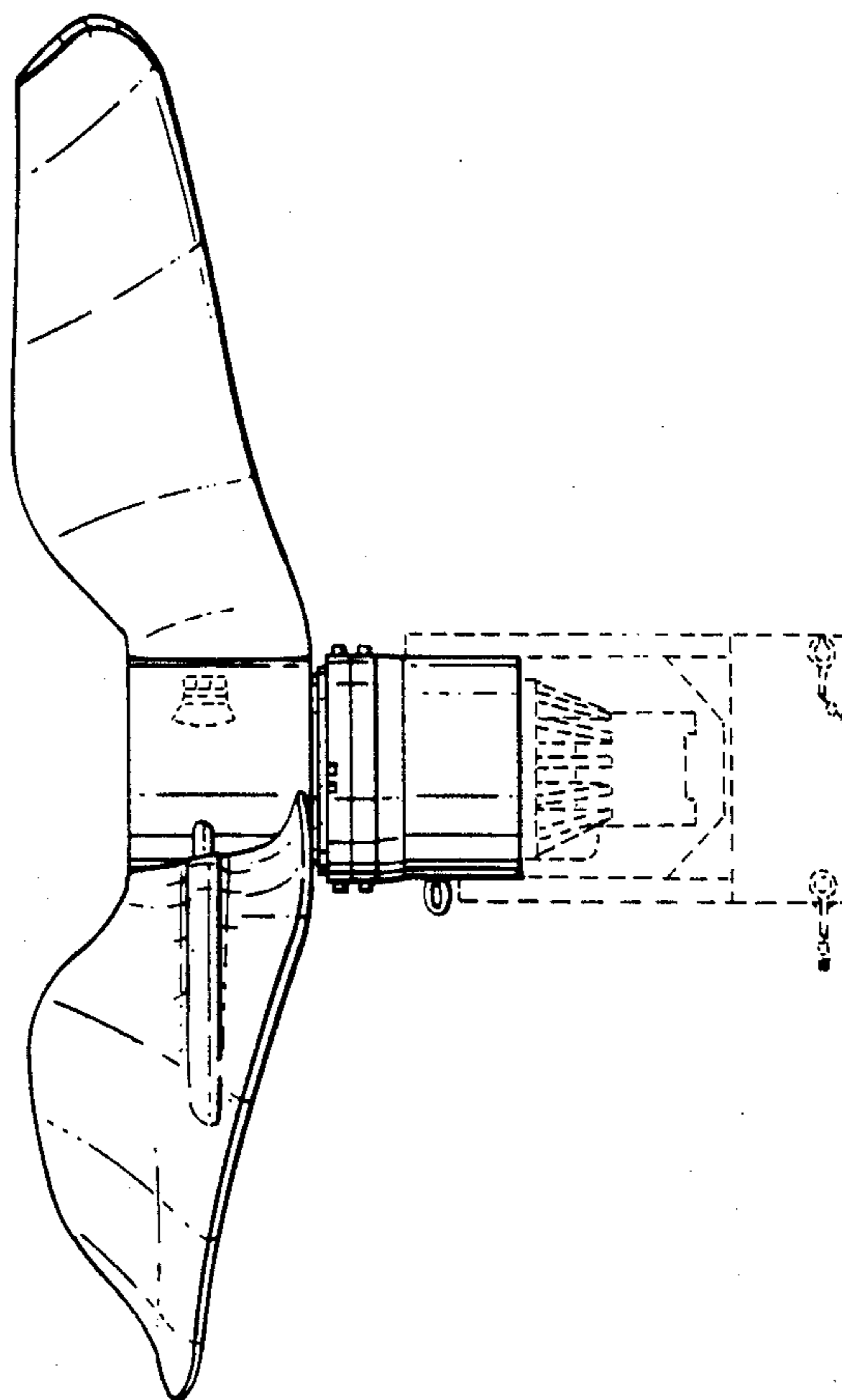
FIG. 4 is a front elevational view thereof.

The broken-line showing of portions of the rear of the unit is for illustrative purposes only and forms no part of the claimed design.





*Fig. 1.*



*Fig. 2.*

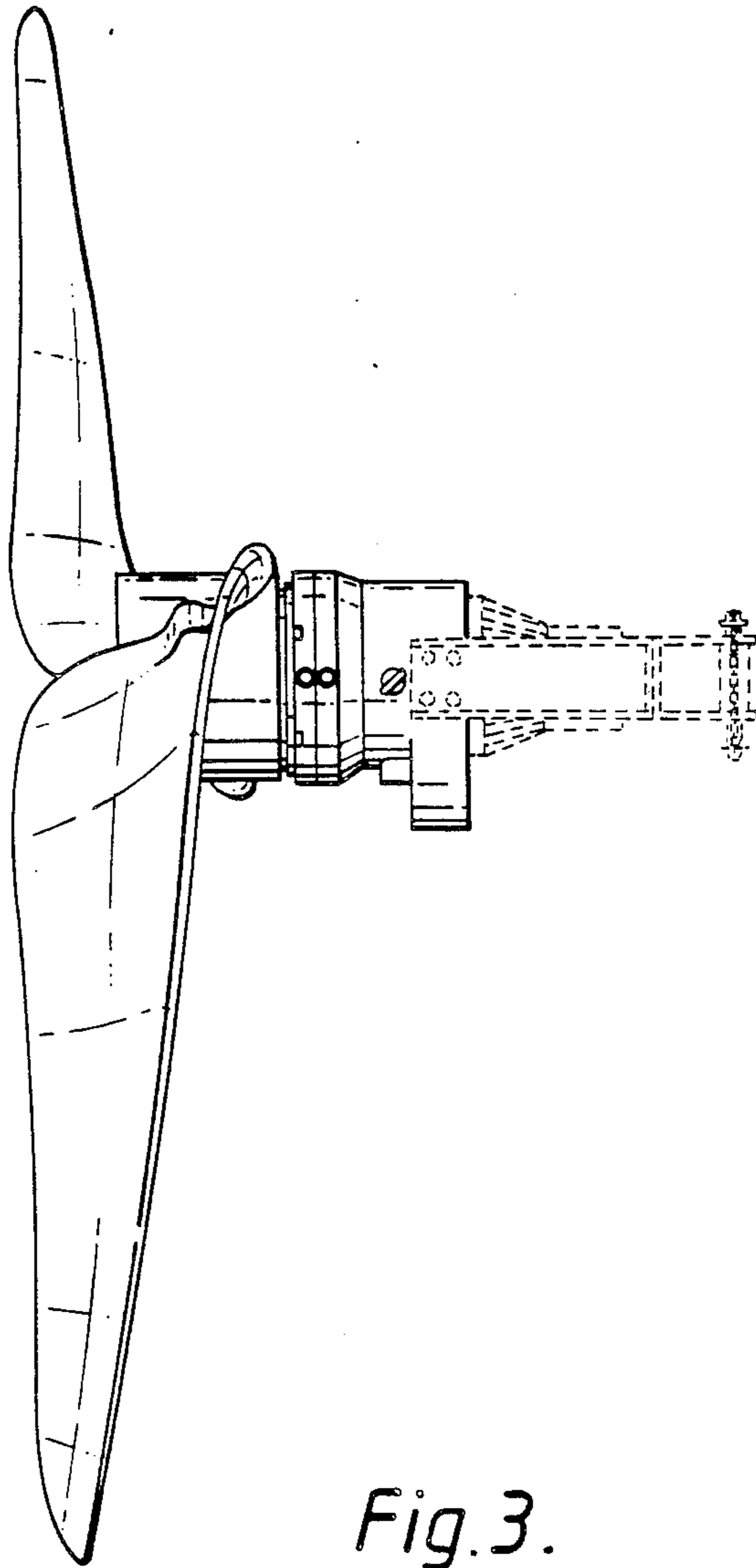


Fig. 3.

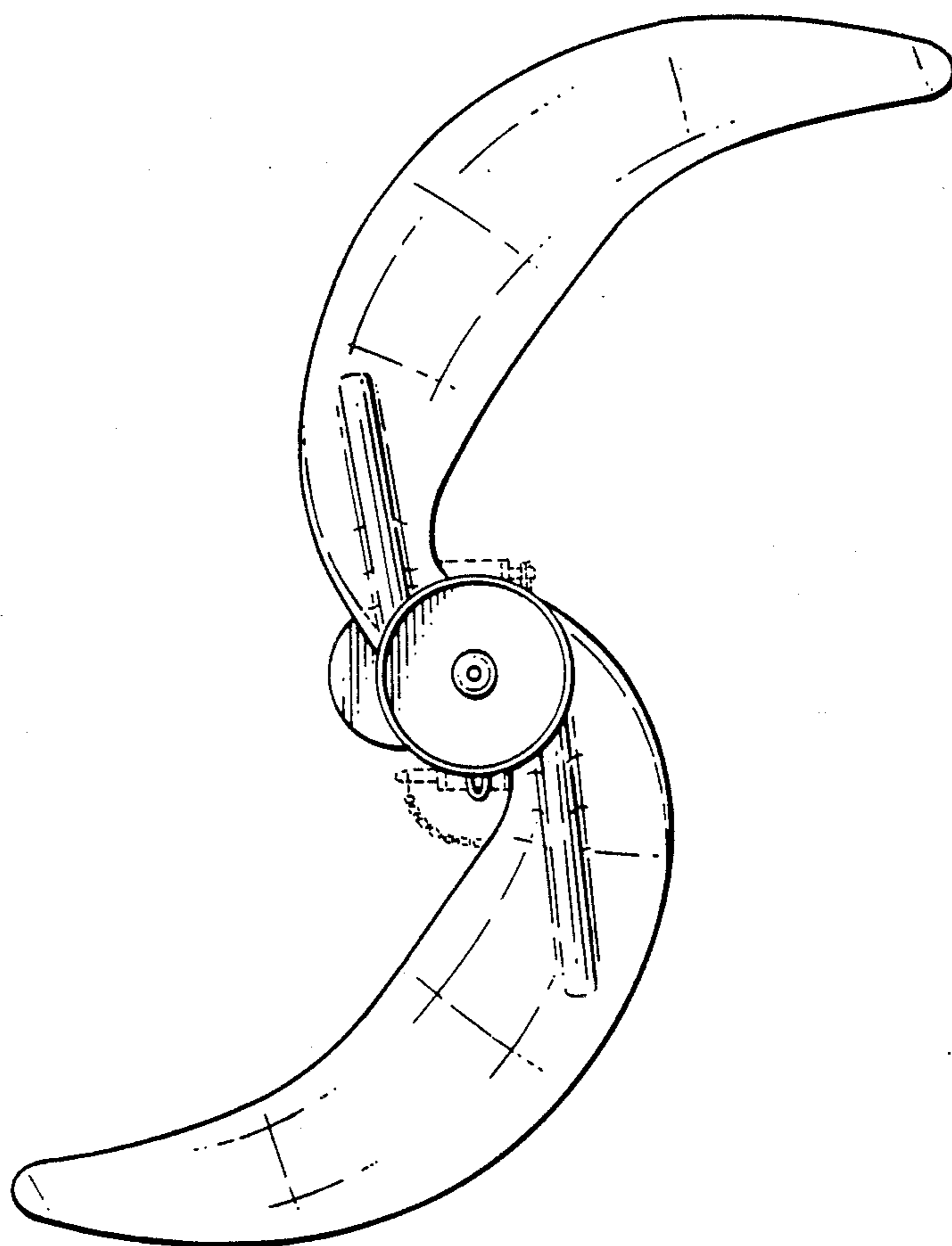


Fig. 4.