

[54] COMPOUND BOW WITH A CABLE TENSION ADJUSTMENT

[76] Inventor: Donald E. Smith, 1882 E. Larch, Simi Valley, Calif.

[\*\*] Term: 14 Years

[21] Appl. No.: 728,173

[22] Filed: Apr. 29, 1985

[52] U.S. Cl. .... D22/107

[58] Field of Search ..... D22/107; 124/23 R, 88, 124/86, DIG. 1

[56] References Cited

U.S. PATENT DOCUMENTS

4,252,100	2/1981	Rickard	124/88 X
4,457,287	7/1984	Babington	124/88 X
4,561,413	12/1985	Jennings	124/DIG. 1
4,649,890	3/1987	Powers	124/DIG. 1

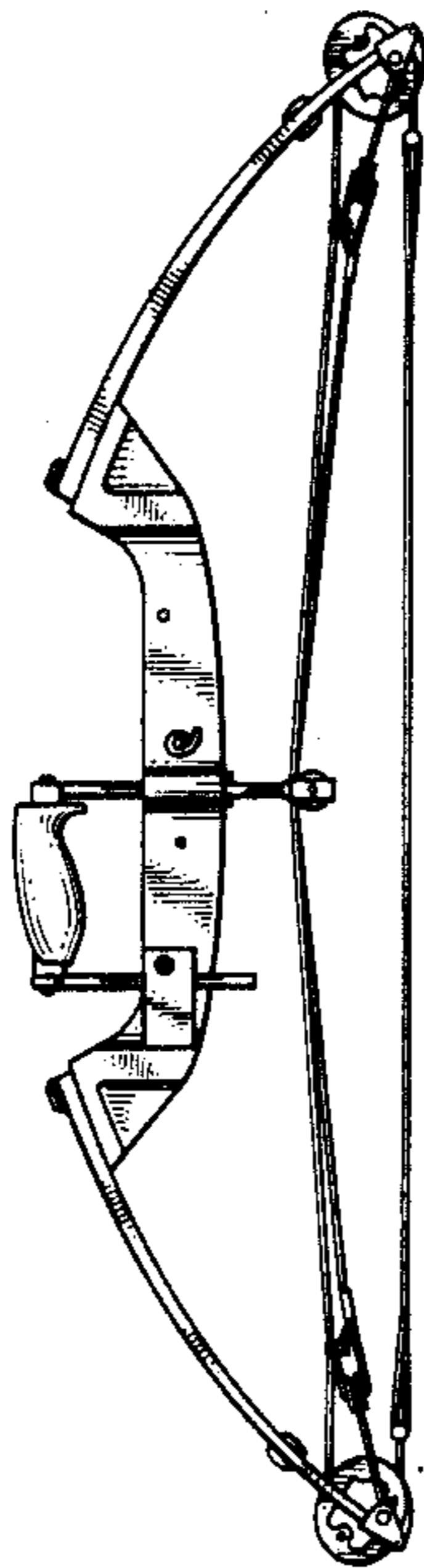
Primary Examiner—A. Hugo Word

[57] CLAIM

The ornamental design for a compound bow with a cable tension adjustment, substantially as shown and described.

DESCRIPTION

FIG. 1 is a front elevation of a compound bow with cable tension adjustment according to the invention.  
 FIG. 2 is a view of the left side thereof.  
 FIG. 3 is a view of the right side thereof.  
 FIG. 4 is a rear view thereof.  
 FIG. 5 is a top view thereof.  
 FIG. 6 is a bottom view thereof.  
 FIG. 7 is a view of the right side of an alternate embodiment for use by a left handed person in which the view is a mirror image of the view of FIG. 2. The left side image being likewise a mirror image of the view of FIG. 3 and the rear view being substantially identical with that of FIG. 4.  
 FIG. 8 is a front view of the alternate embodiment of FIG. 7.



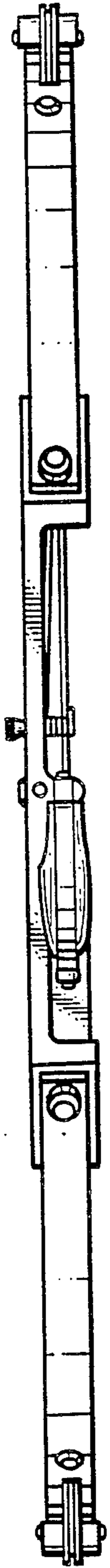


Fig. 1

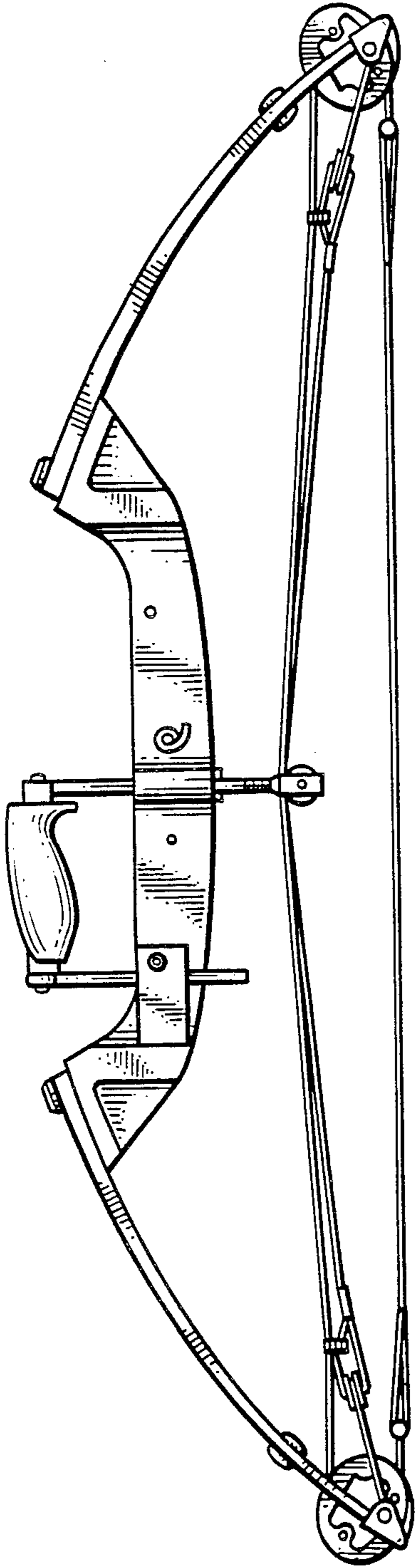


Fig. 2

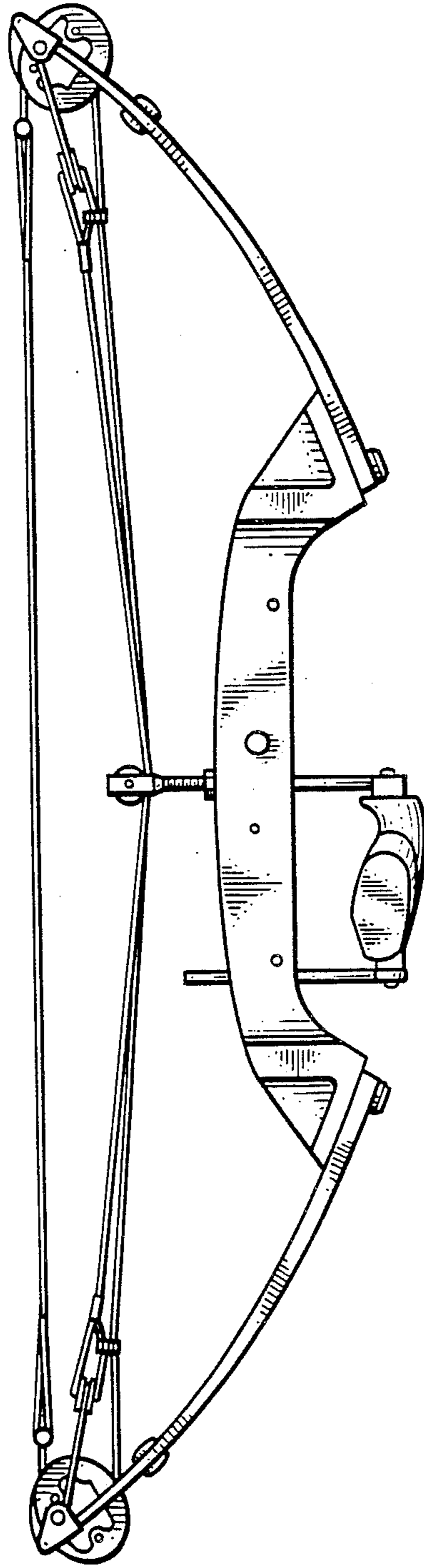


Fig. 3

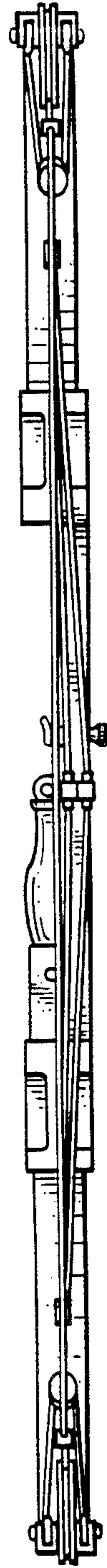


Fig. 4

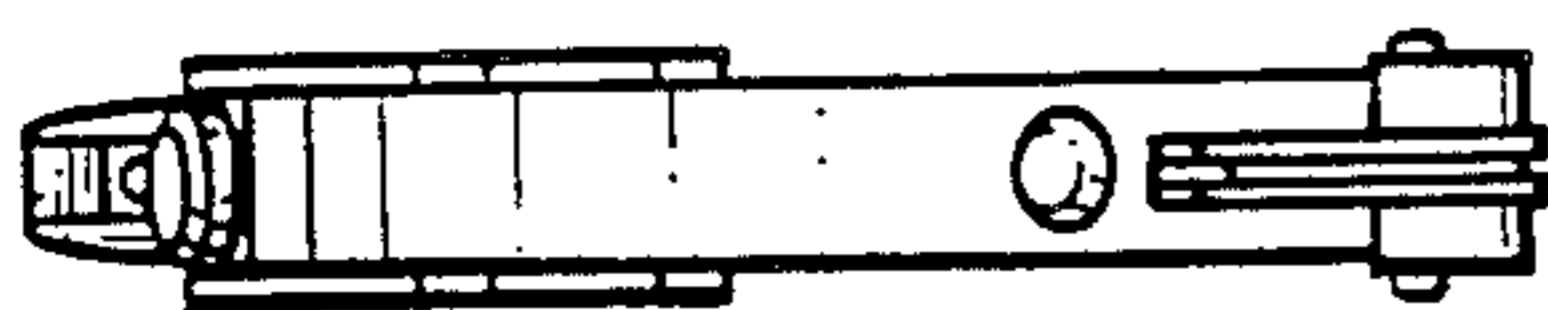


Fig. 5

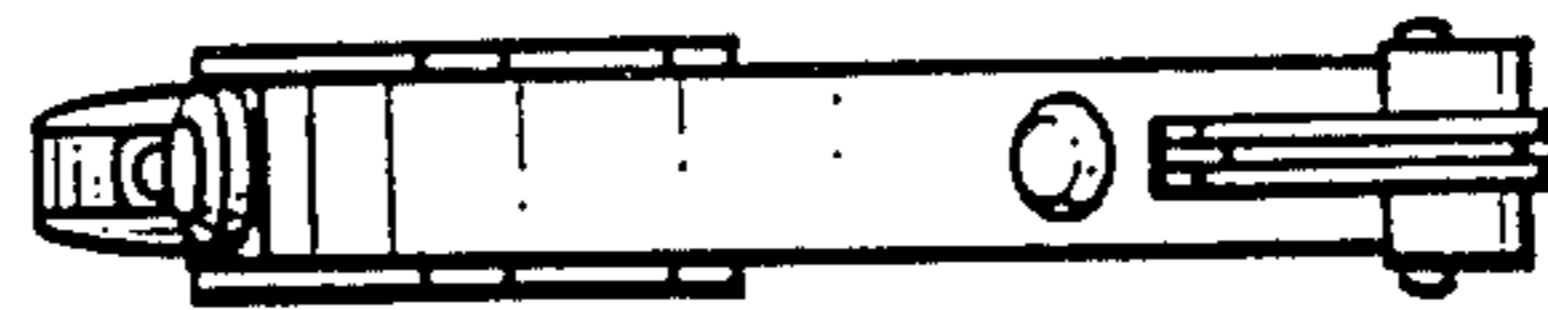
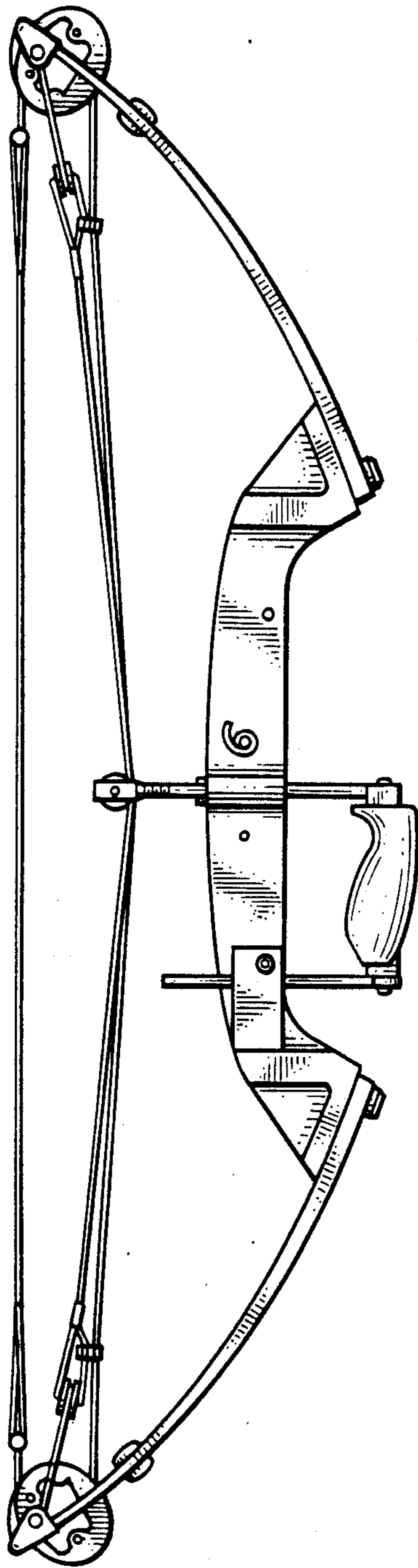


Fig. 6



*Fig. 7.*



*Fig. 8.*