

[54] IDENTIFICATION TAG

[75] Inventor: Susan Smith, San Francisco County, Calif.

[73] Assignee: Tagums, Inc., Wilmette, Ill.

[**] Term: 14 Years

[21] Appl. No.: 672,826

[22] Filed: Nov. 19, 1984

[52] U.S. Cl. D20/24

[58] Field of Search D20/24, 23; D21/159; 40/2 R, 21 R

[56] References Cited

U.S. PATENT DOCUMENTS

D. 52,359	8/1918	Swetland	D21/159	X
D. 186,497	11/1959	Arrix	D21/159	X
D. 268,193	3/1983	Nakao et al.	D21/159	
D. 271,224	11/1983	Nakao et al.	D21/159	X
3,384,984	5/1968	Field	40/21 R	

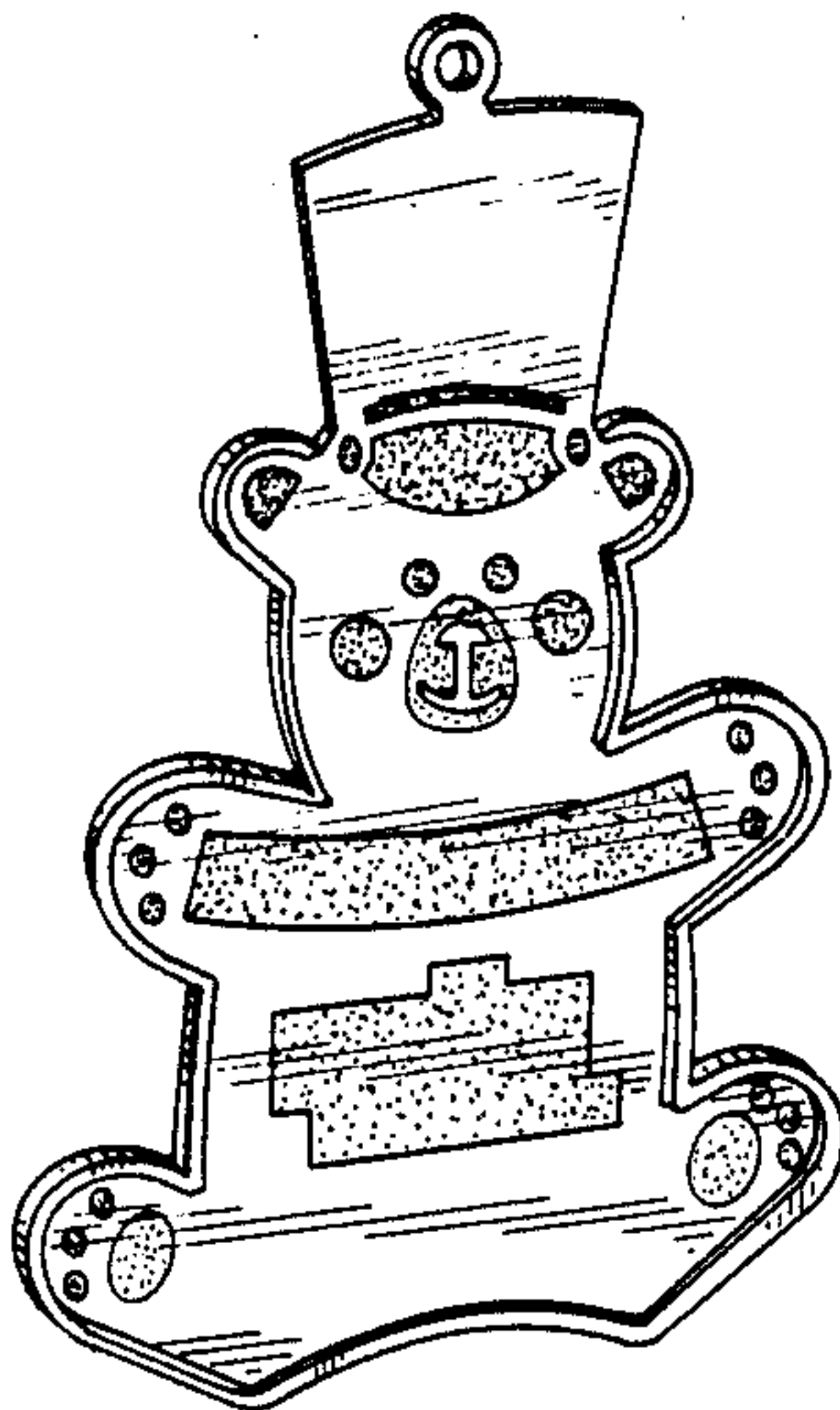
Primary Examiner—Bernard Ansher
Assistant Examiner—Linda Titolo
Attorney, Agent, or Firm—Jenner & Block

[57] CLAIM

The ornamental design for an identification tag, as shown and described.

DESCRIPTION

FIG. 1 is a front perspective view of an identification tag, showing my new design;
FIG. 2 is a front elevational view thereof;
FIG. 3 is a rear elevational view thereof;
FIG. 4 is a right side elevational view thereof, the left side view being a mirror image thereof;
FIG. 5 is a top plan view thereof;
FIG. 6 is a bottom plan view thereof;
FIG. 7 is a cross-sectional view thereof, taken on line 7—7 of FIG. 2; and
FIG. 8 is a cross-sectional view thereof, taken on line 8—8 of FIG. 2.



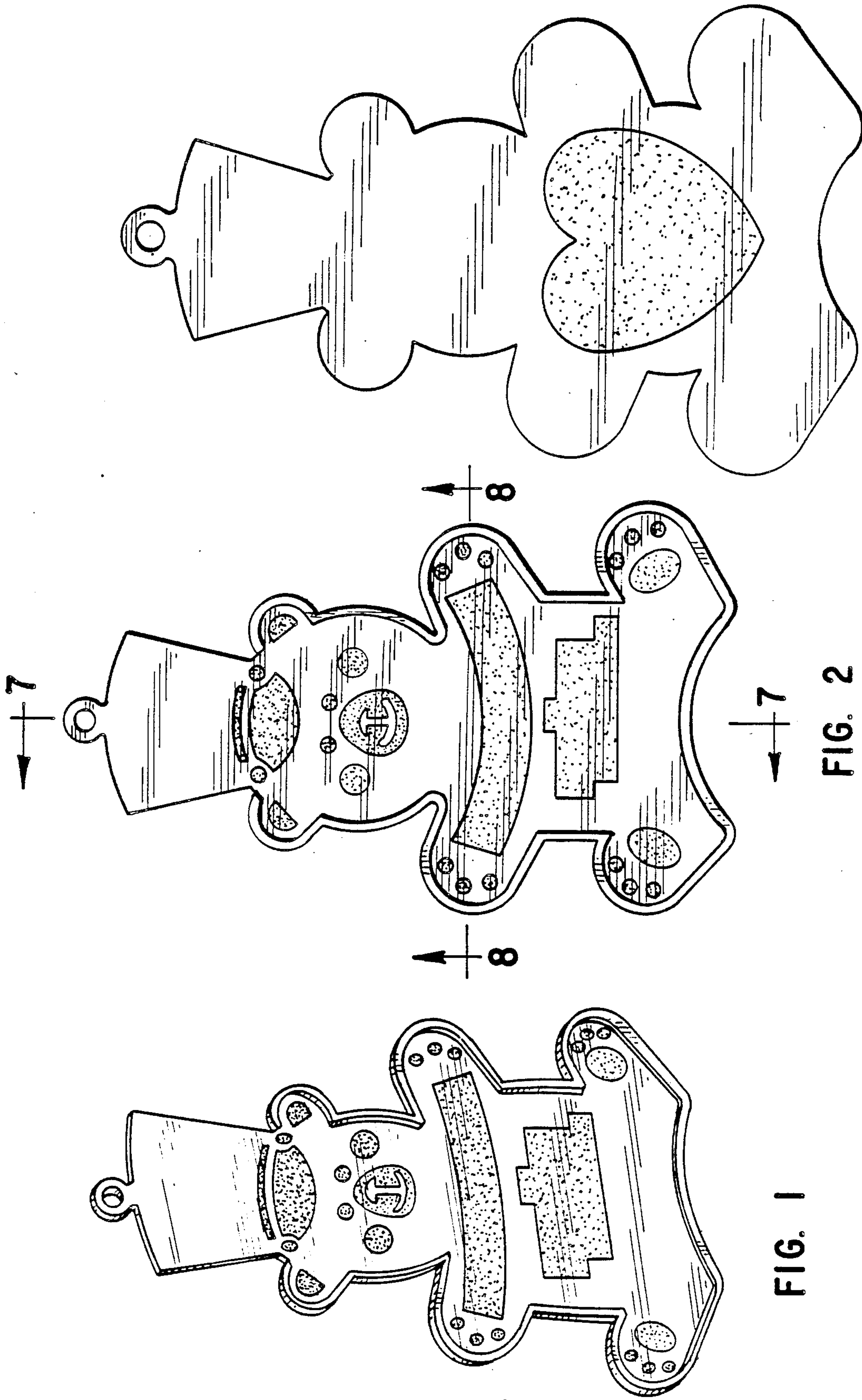


FIG. 1

FIG. 2

FIG. 3

FIG. 4



FIG. 5



FIG. 6



FIG. 7



FIG. 8

