

[54] TUBULAR EYEGLASS FRAME

[76] Inventor: Eric Lipson, 213 S. Bonsal St., Philadelphia, Pa. 19103

[**] Term: 14 Years

[21] Appl. No.: 688,463

[22] Filed: Jan. 3, 1985

[52] U.S. Cl. D16/102; D16/111

[58] Field of Search D16/101, 102-123, D16/125, 126, 127; 351/41, 43, 46, 47-49, 51, 52, 58, 63, 66, 83-89, 103-109, 111; 446/27

[56] References Cited

U.S. PATENT DOCUMENTS

D. 51,955	4/1918	Desha	D16/104
D. 67,790	7/1925	Chiasson	D16/115
D. 114,260	4/1939	Brunetti	D16/102
D. 155,732	10/1949	Rosenson	D16/104
1,380,957	6/1921	Haviland	D16/108

FOREIGN PATENT DOCUMENTS

611540 9/1926 France 351/83

OTHER PUBLICATIONS

The Washington Post; Sunday Mar. 11, 1973; Section K; p. 16, Frame No. 6 in right column.

Hong Kong Enterprise, Sep. 1983, p. 126, "Heart-Shaped" Frames.

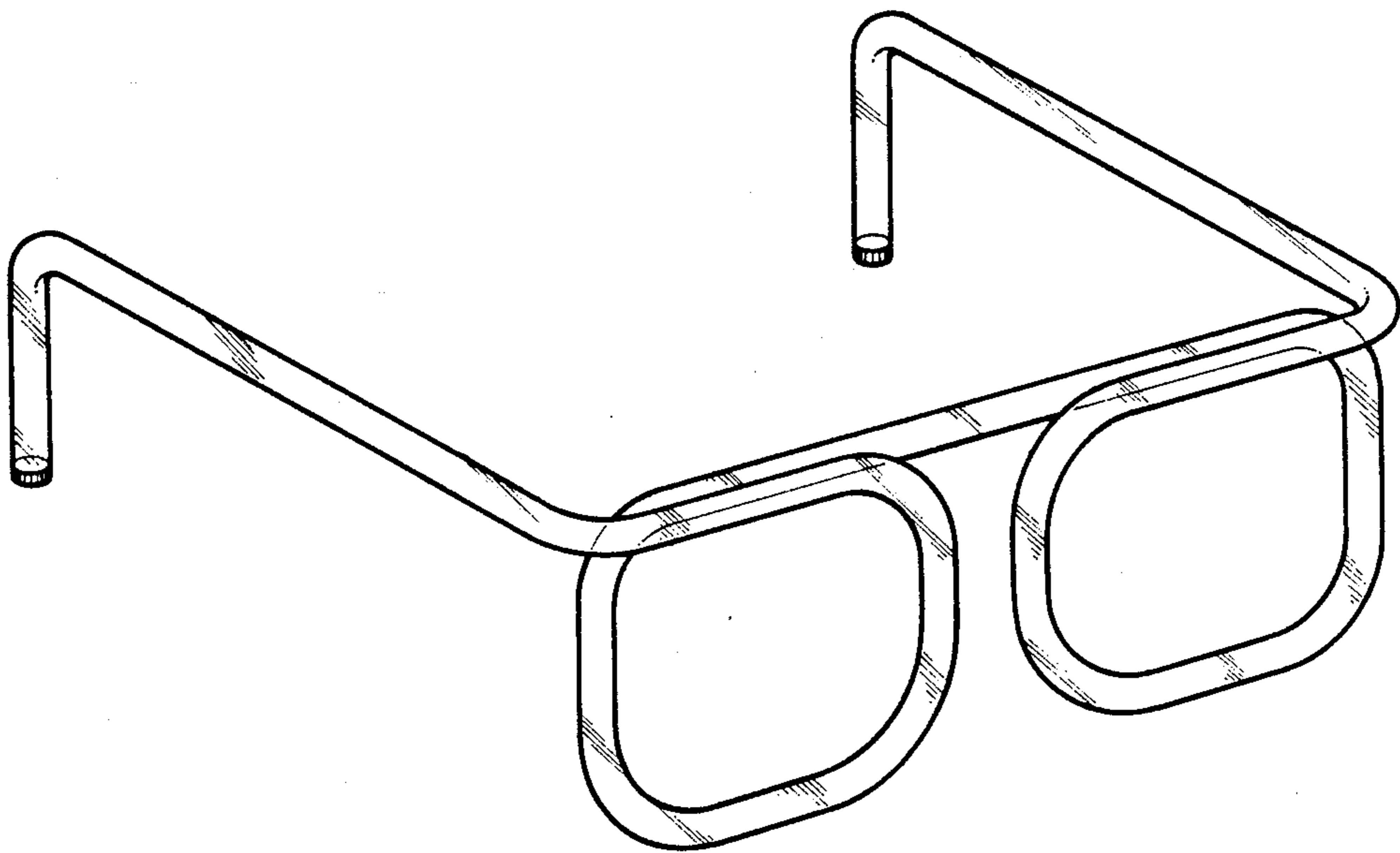
Primary Examiner—Susan J. Lucas
Assistant Examiner—C. E. Heflin
Attorney, Agent, or Firm—Krass & Young

[57] CLAIM

The ornamental design for a tubular eyeglass frame, as shown and described.

DESCRIPTION

FIG. 1 is a top plan view of the tubular eyeglass frame showing a first embodiment of my new design; FIG. 2 is a bottom plan view thereof; FIG. 3 is a side elevational view thereof, the opposite side being identical; FIG. 4 is a front elevational view thereof, the rear view being substantially similar; FIG. 5 is a perspective view of the tubular eyeglass frame showing a second embodiment of my new design; FIG. 6 is a perspective view of the tubular eyeglass frame showing a third embodiment of my new design; FIG. 7 is a perspective view of the tubular eyeglass frame showing a fourth embodiment of my new design; FIG. 8 is a top plan view of the embodiment shown in FIG. 6; and FIG. 9 is a side elevational view of the embodiment shown in FIG. 6, the opposite side being identical.



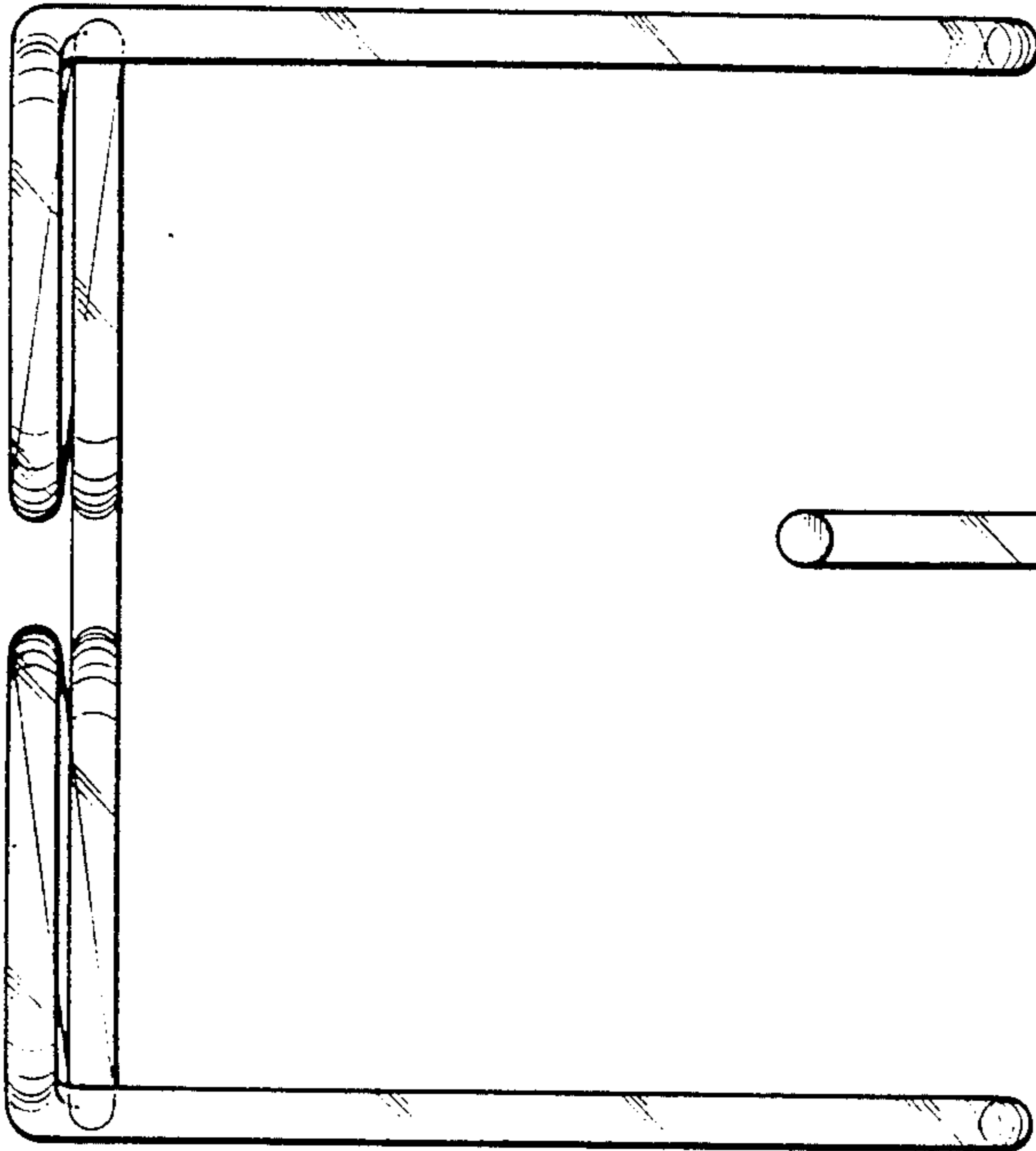


Fig-1

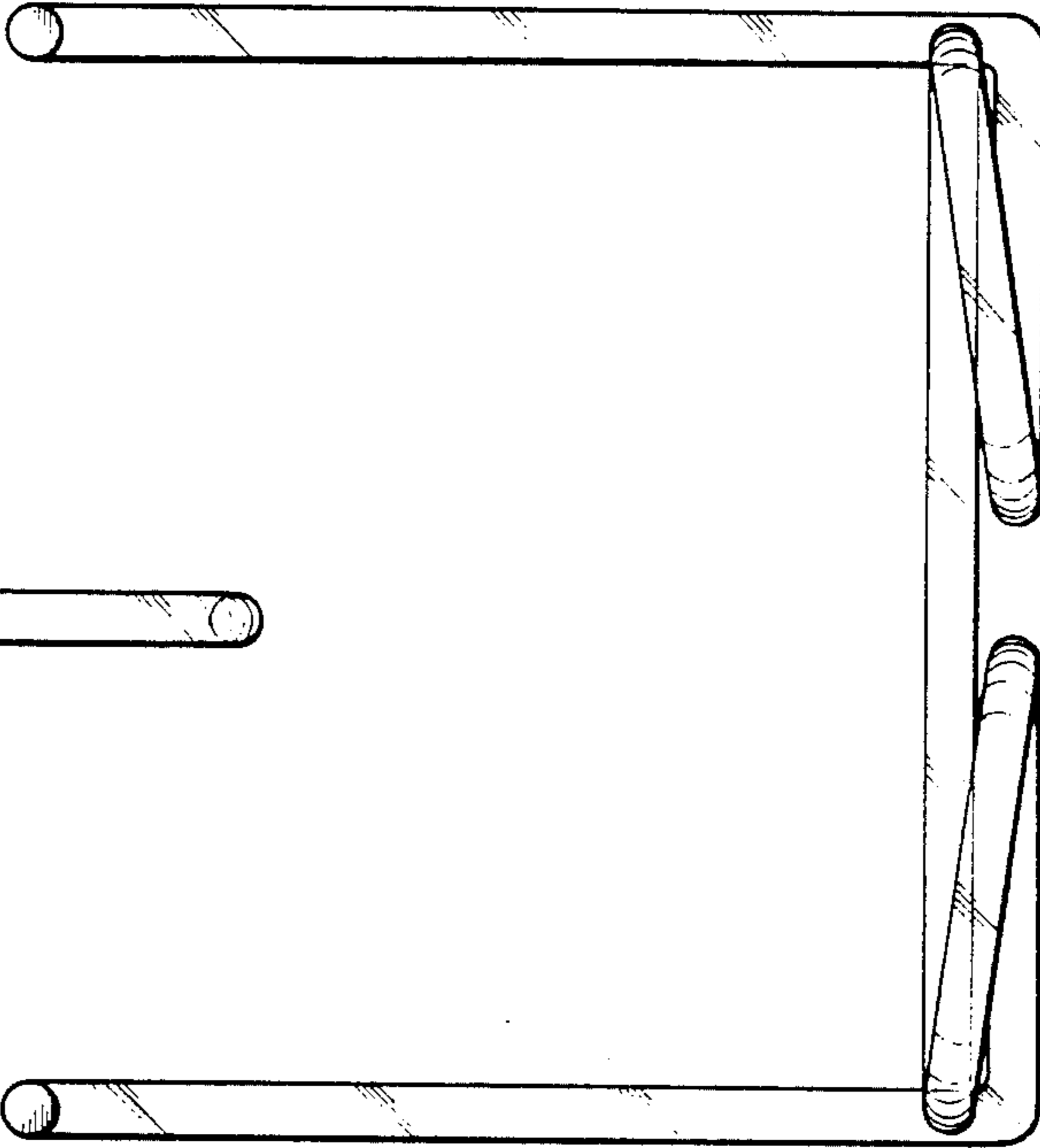


Fig-2

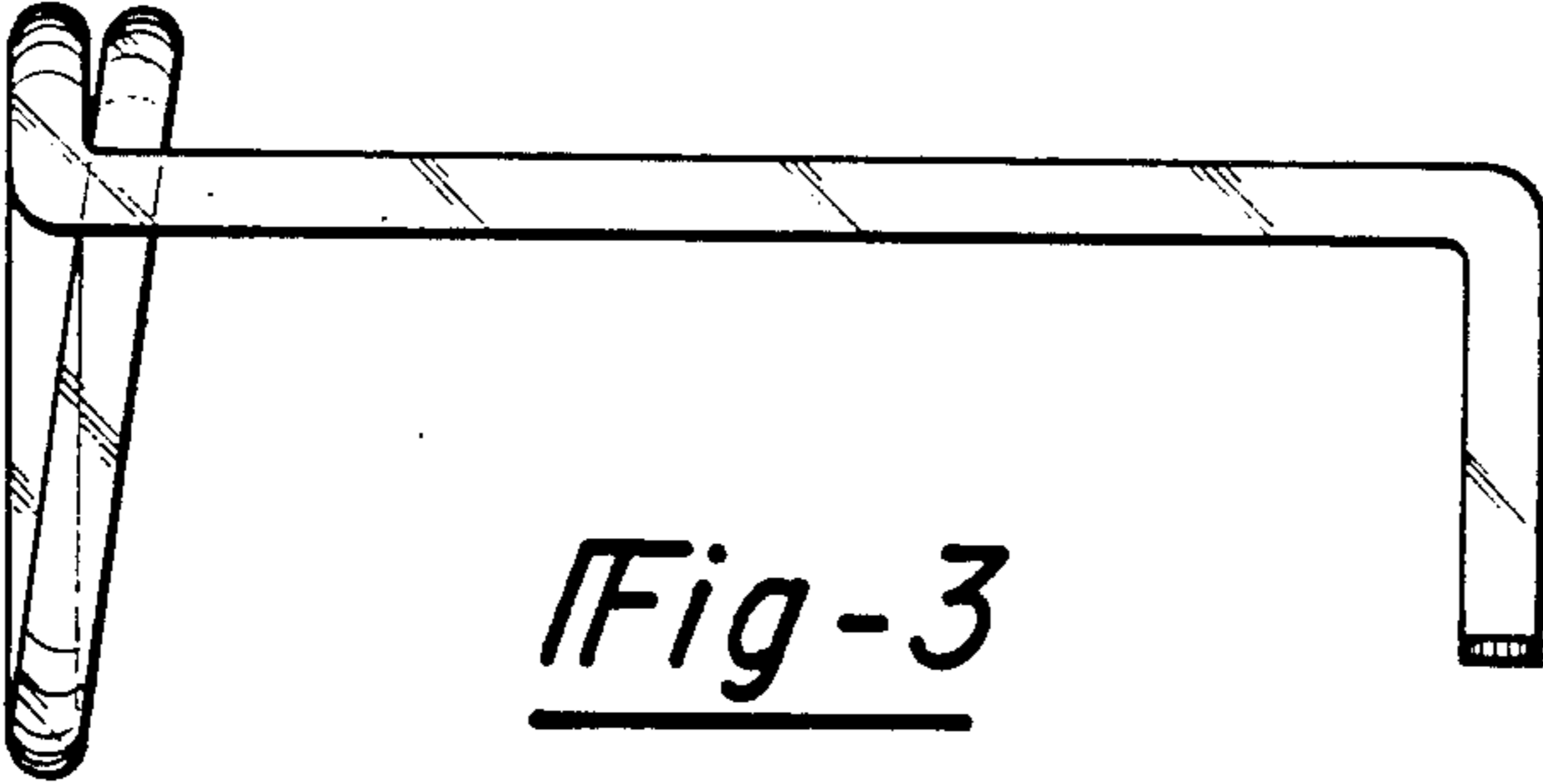


Fig-3

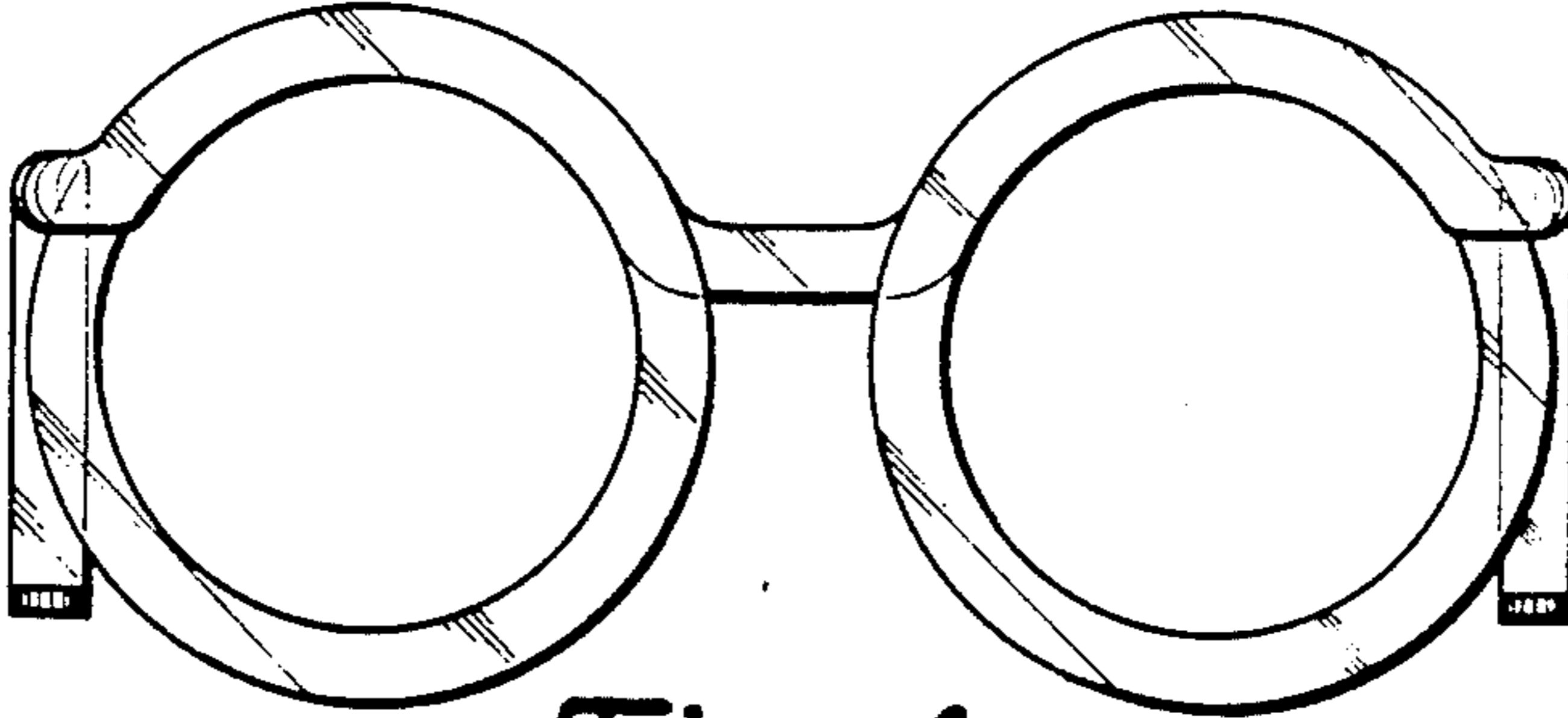


Fig-4

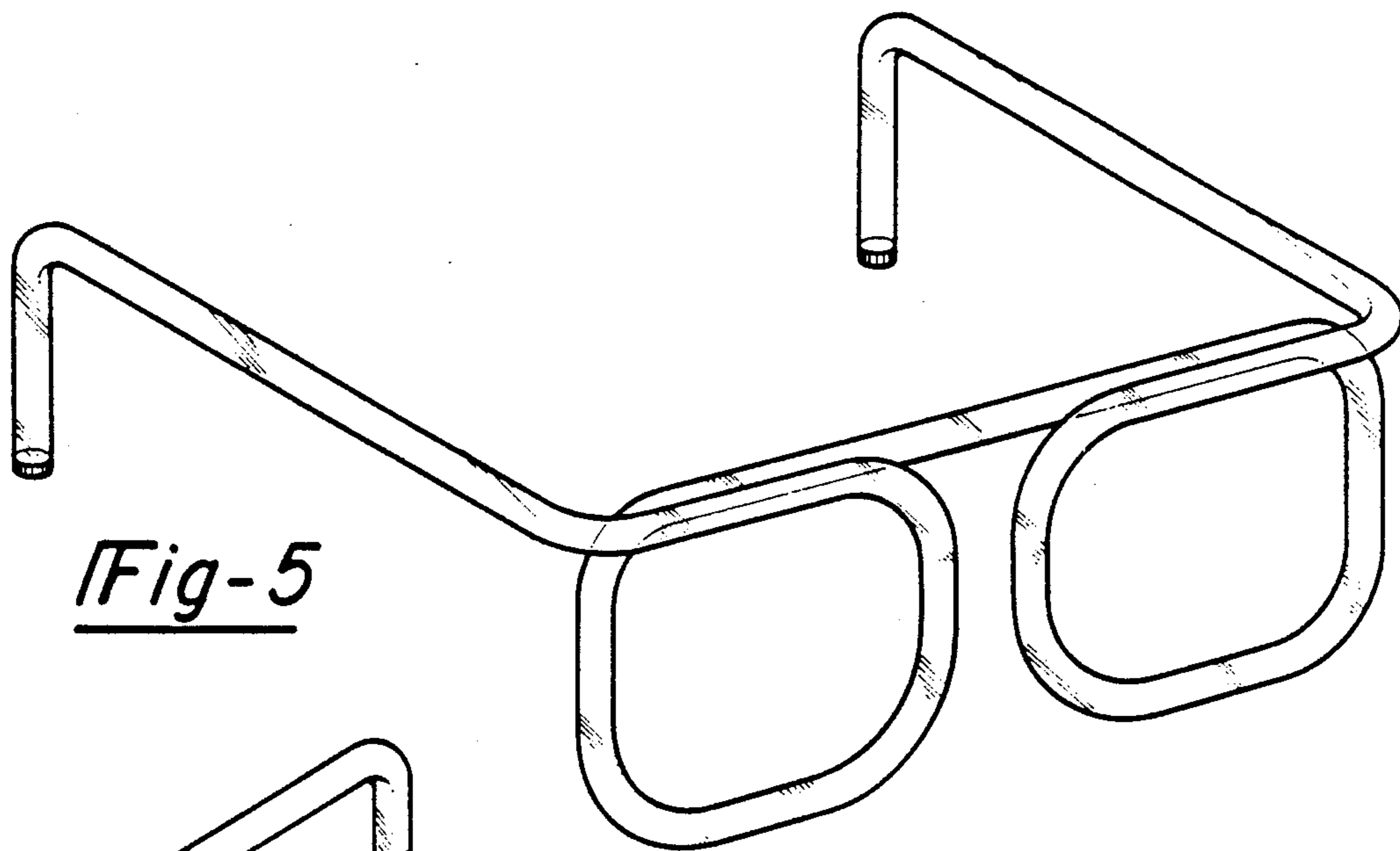


Fig-5

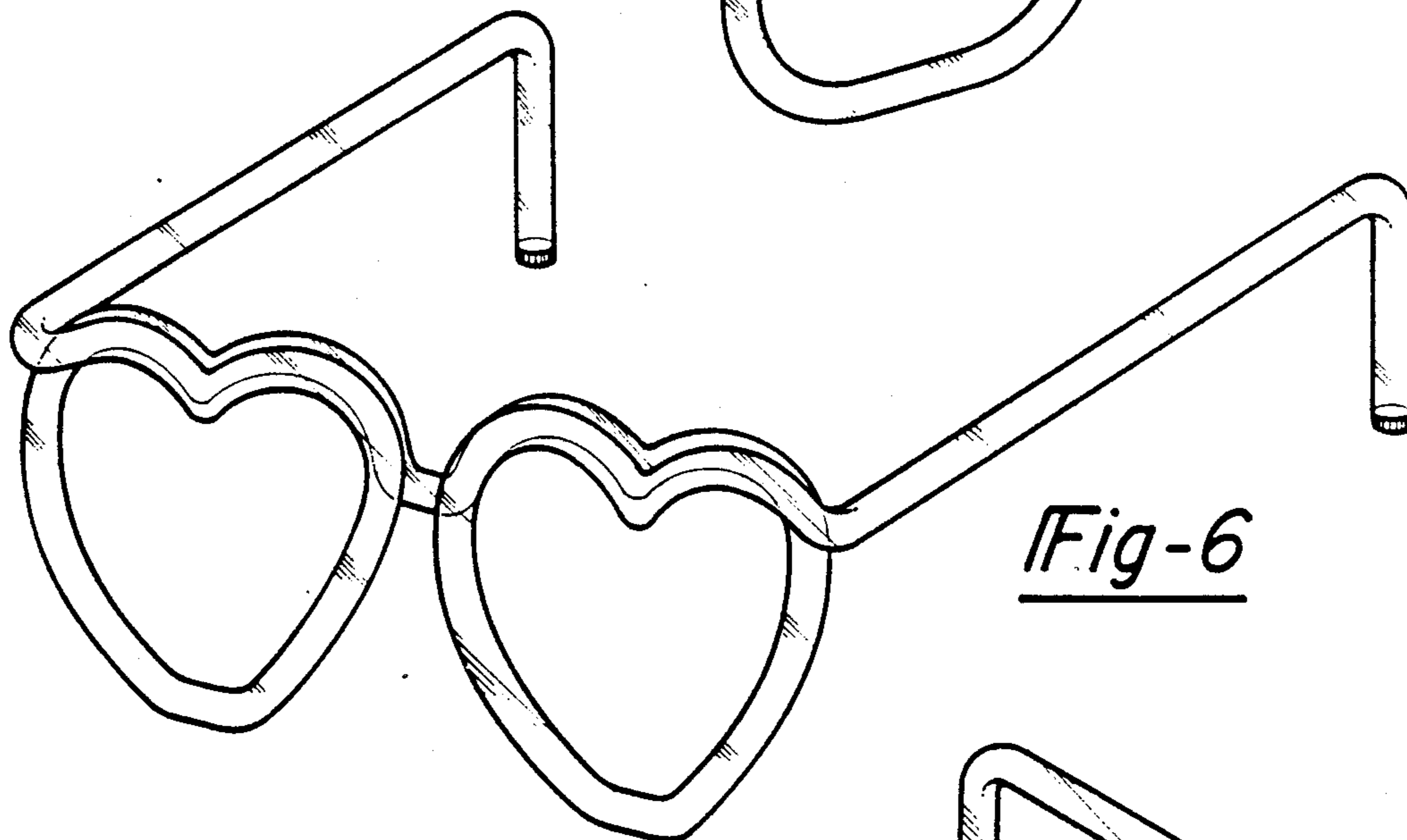


Fig-6

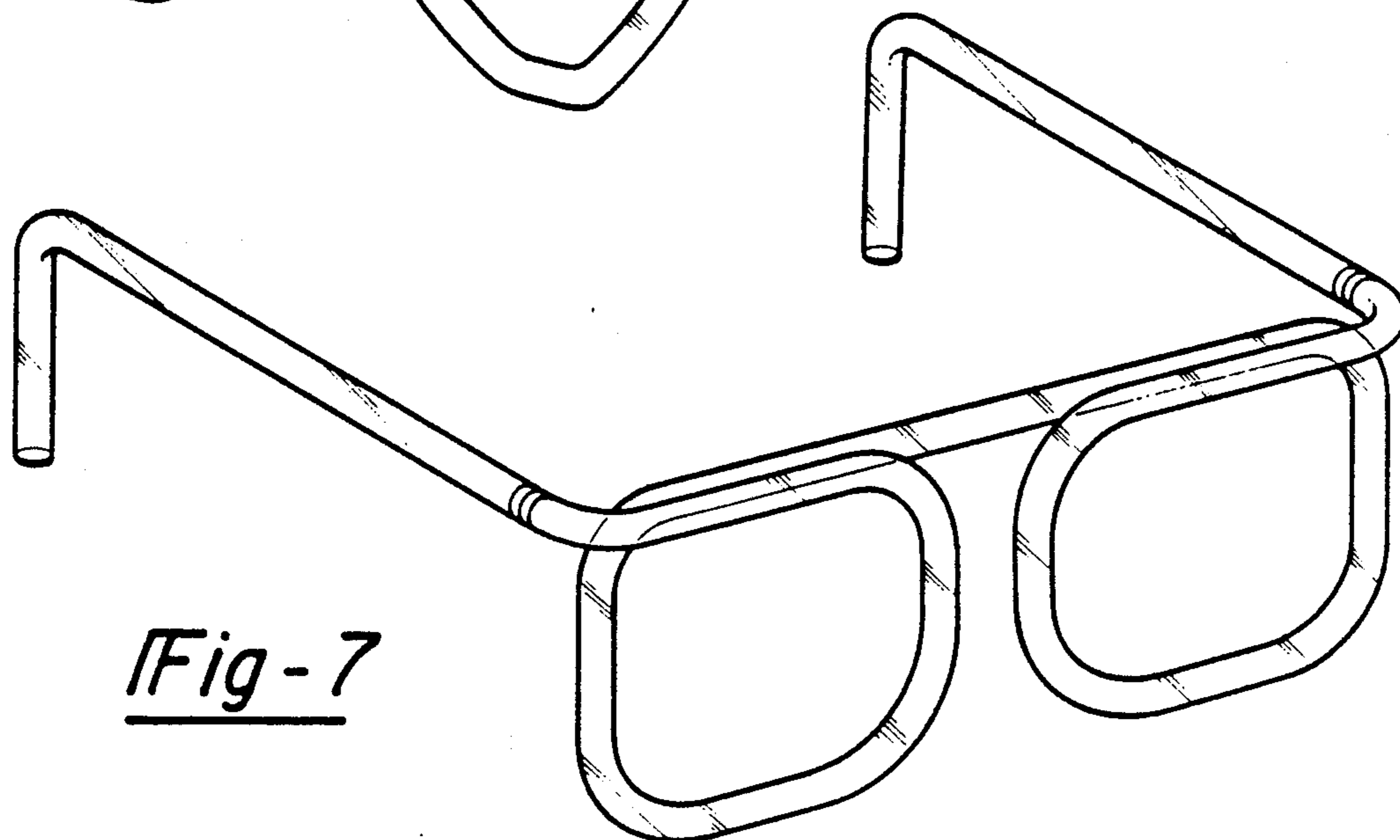


Fig-7

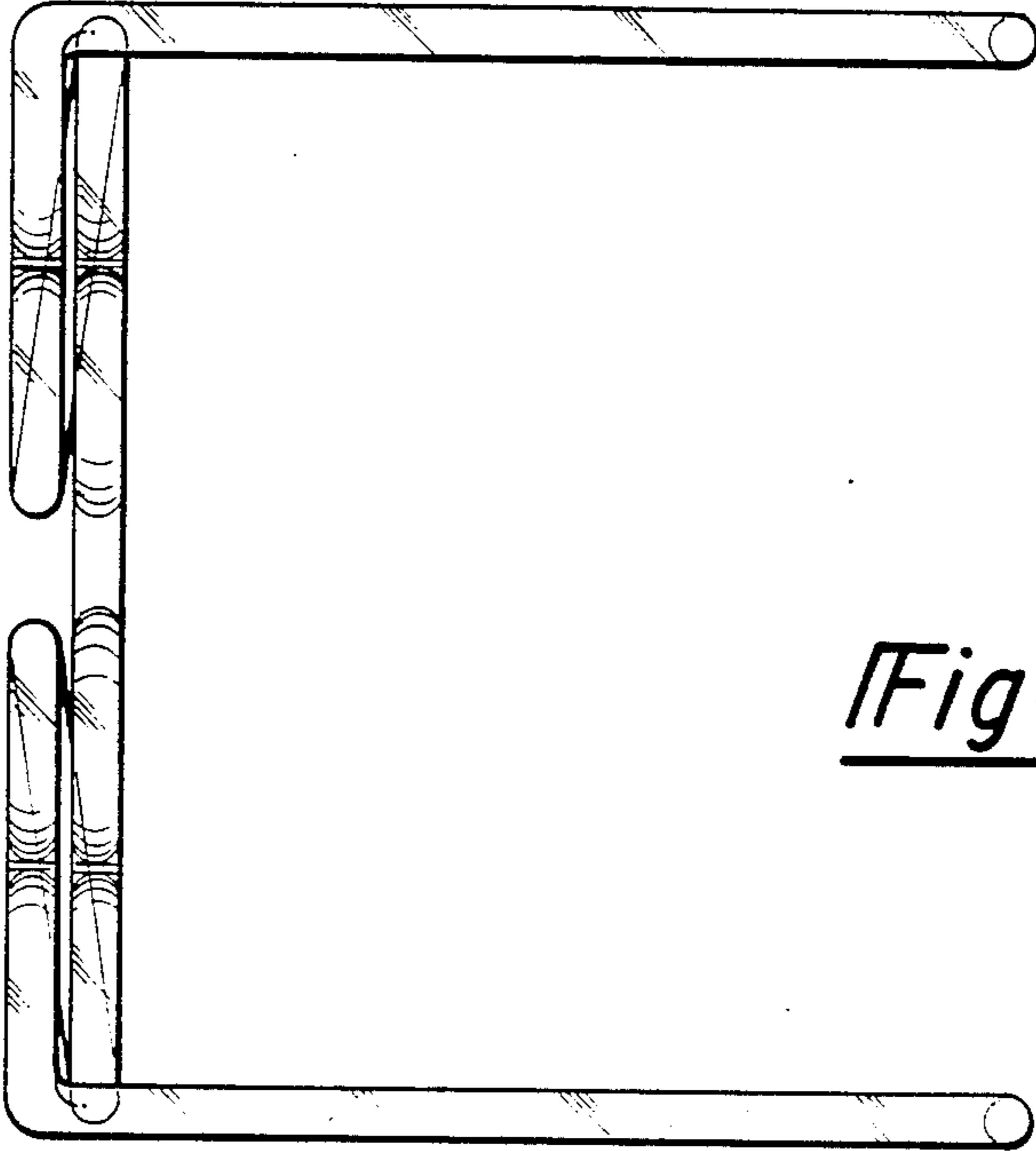


Fig-8

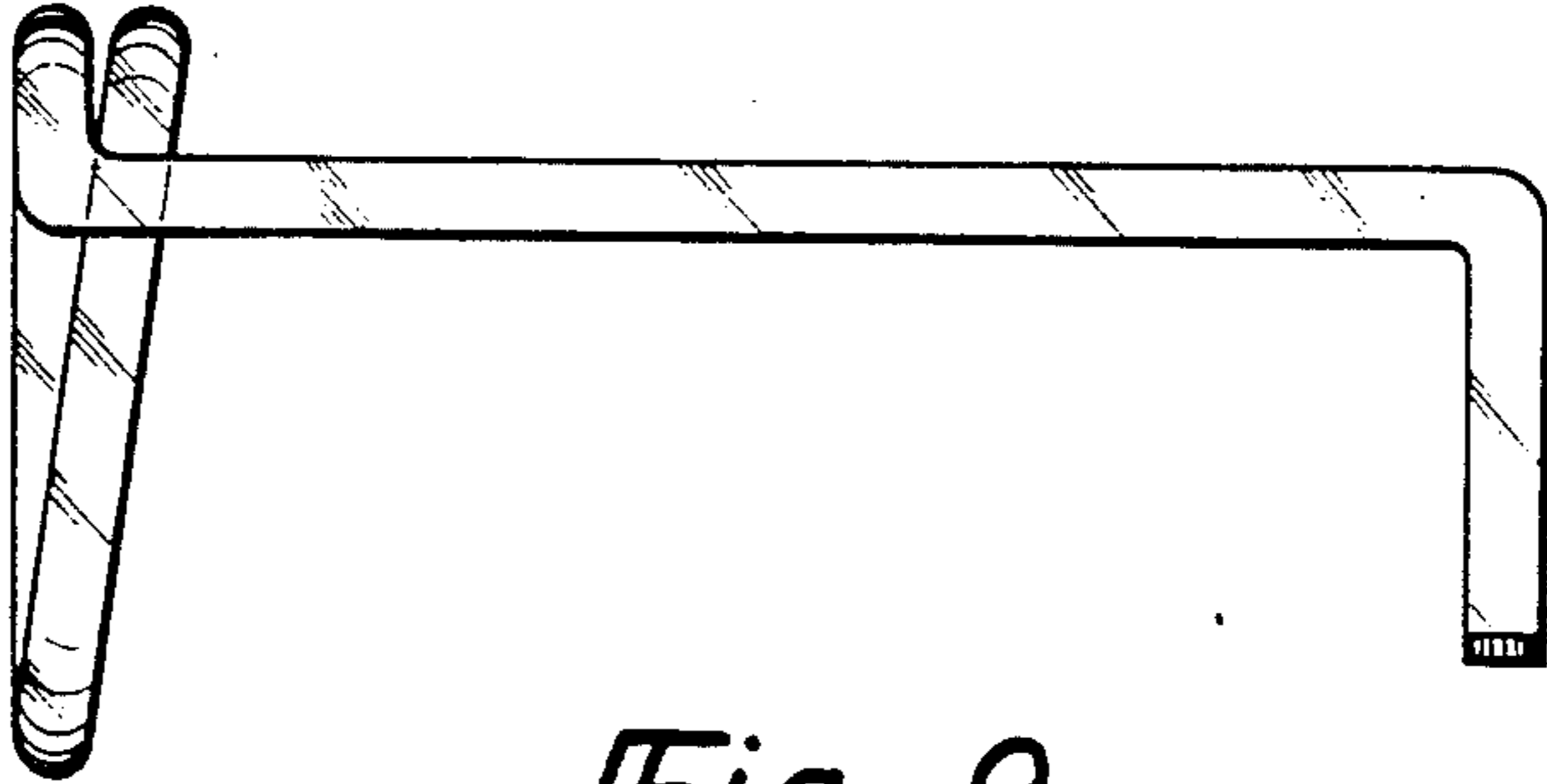


Fig-9