

[54] COPYING MACHINE

4,165,168 8/1979 Baumann ..... 355/3 R  
4,627,715 12/1986 Kikuno ..... 355/14 R

[75] Inventors: Donald W. Carr, Binghamton;  
Andrew T. Serbinski, Brooklyn, both  
of N.Y.

[73] Assignee: Savin Corporation, Stamford, Conn.

[\*\*] Term: 14 Years

[21] Appl. No.: 748,041

[22] Filed: Jun. 24, 1985

[52] U.S. Cl. .... D16/30

[58] Field of Search ..... D16/27-32;  
355/3 R, 3 DD, 3 SH, 8, 11, 14 SH, 14 R

[56] References Cited

U.S. PATENT DOCUMENTS

D. 218,576 9/1970 Van Acker ..... D16/30  
D. 240,554 7/1976 Cross ..... D16/30  
D. 280,629 9/1985 Goto ..... D16/30

OTHER PUBLICATIONS

*The Office-7/85-p. 76-Copier at bottom-right.*  
*Ricoh-Flyer for FT6200-6/83-Cover-Copier at center.*  
*Office Products Dealer-5/83-p. 109, Copier at top-right.*

Primary Examiner—Nelson C. Holtje  
Attorney, Agent, or Firm—Shenier & O'Connor

[57] CLAIM

The ornamental design for a copying machine, substantially as shown and described.

DESCRIPTION

FIG. 1 is a top and right front perspective view of a copying machine showing our new design; FIG. 2 is a left side elevational view thereof; FIG. 3 is a rear elevational view thereof; FIG. 4 is a top plan view thereof.

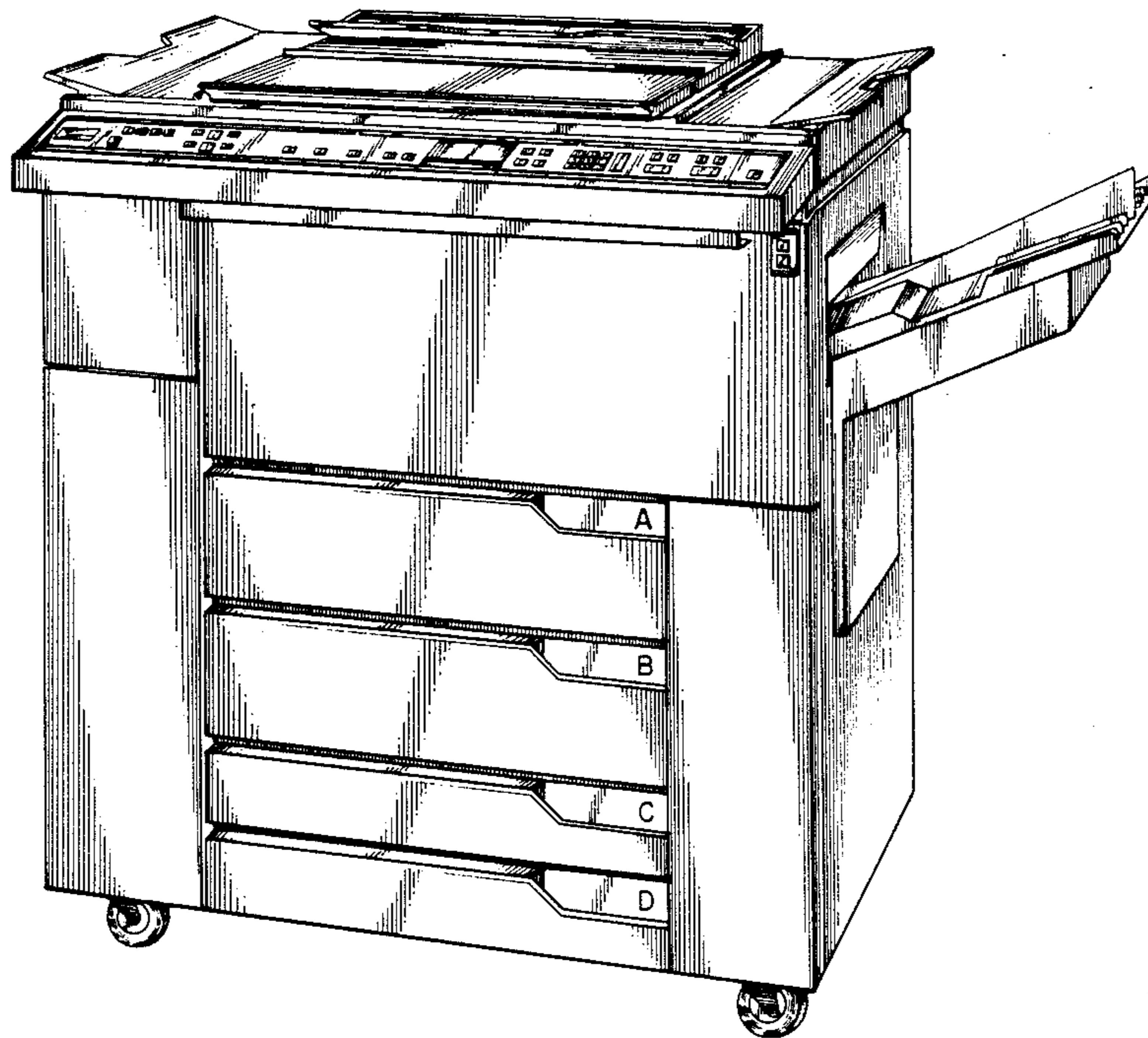


FIG. 1

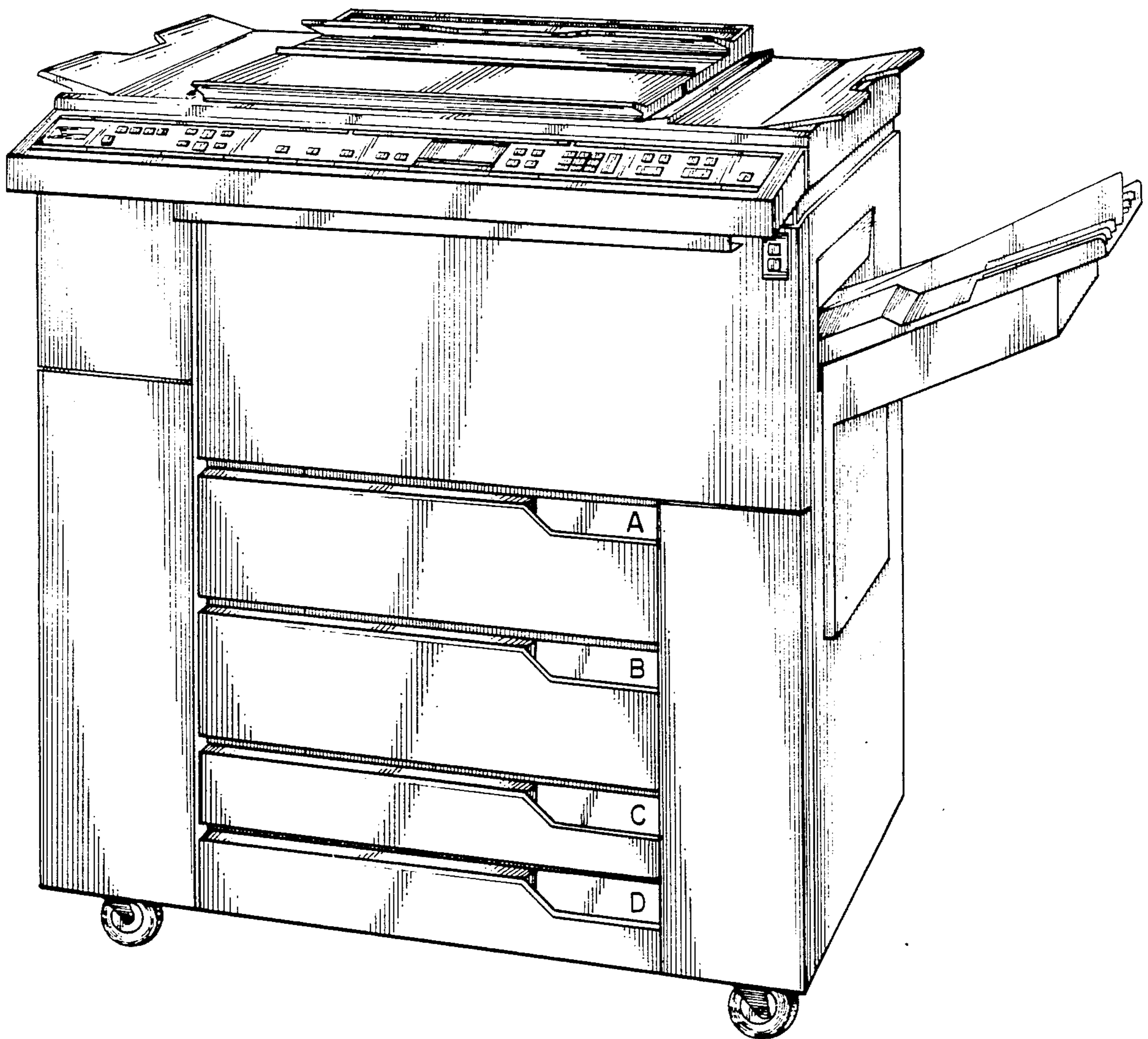


FIG. 2

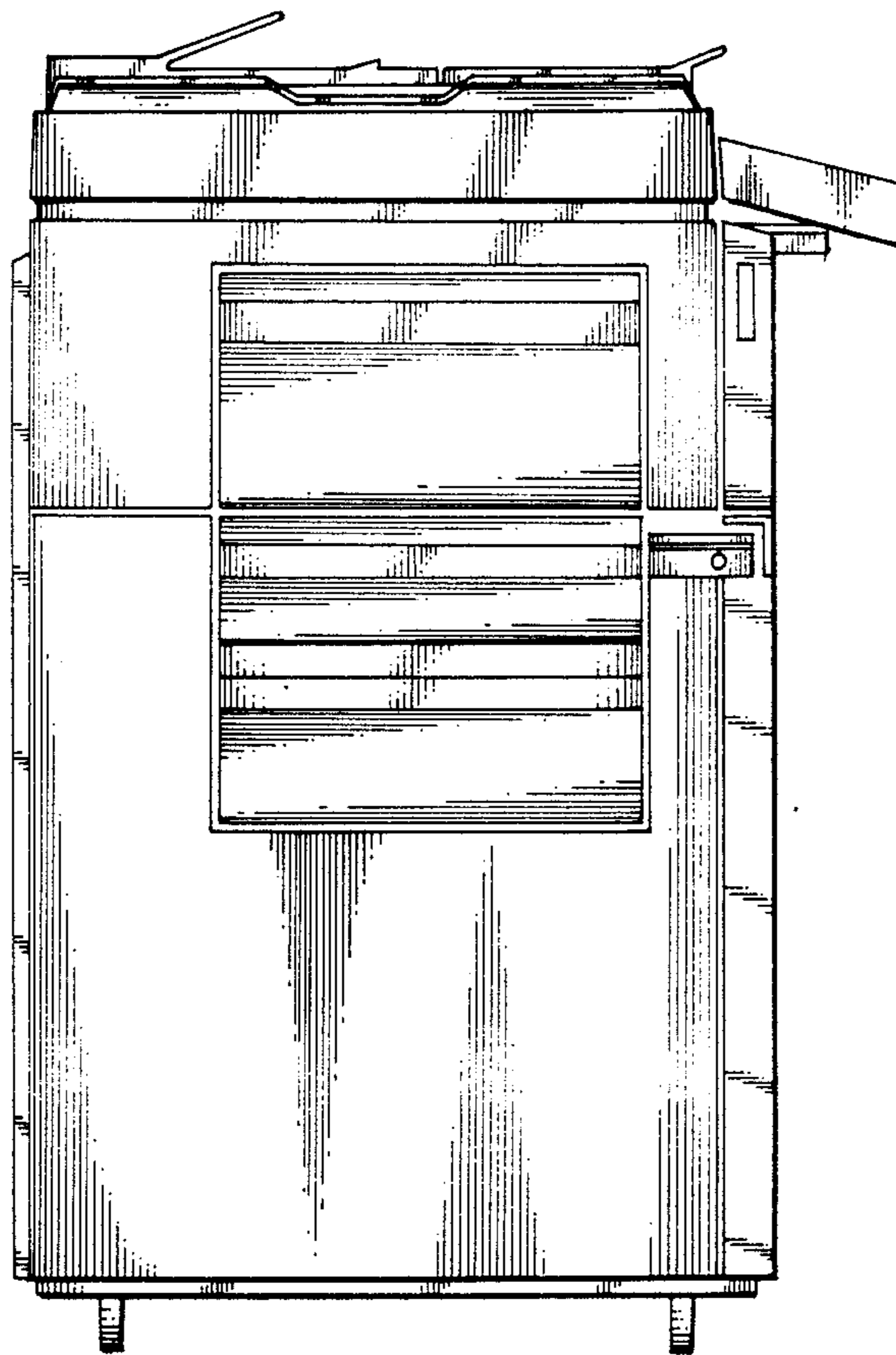


FIG. 3

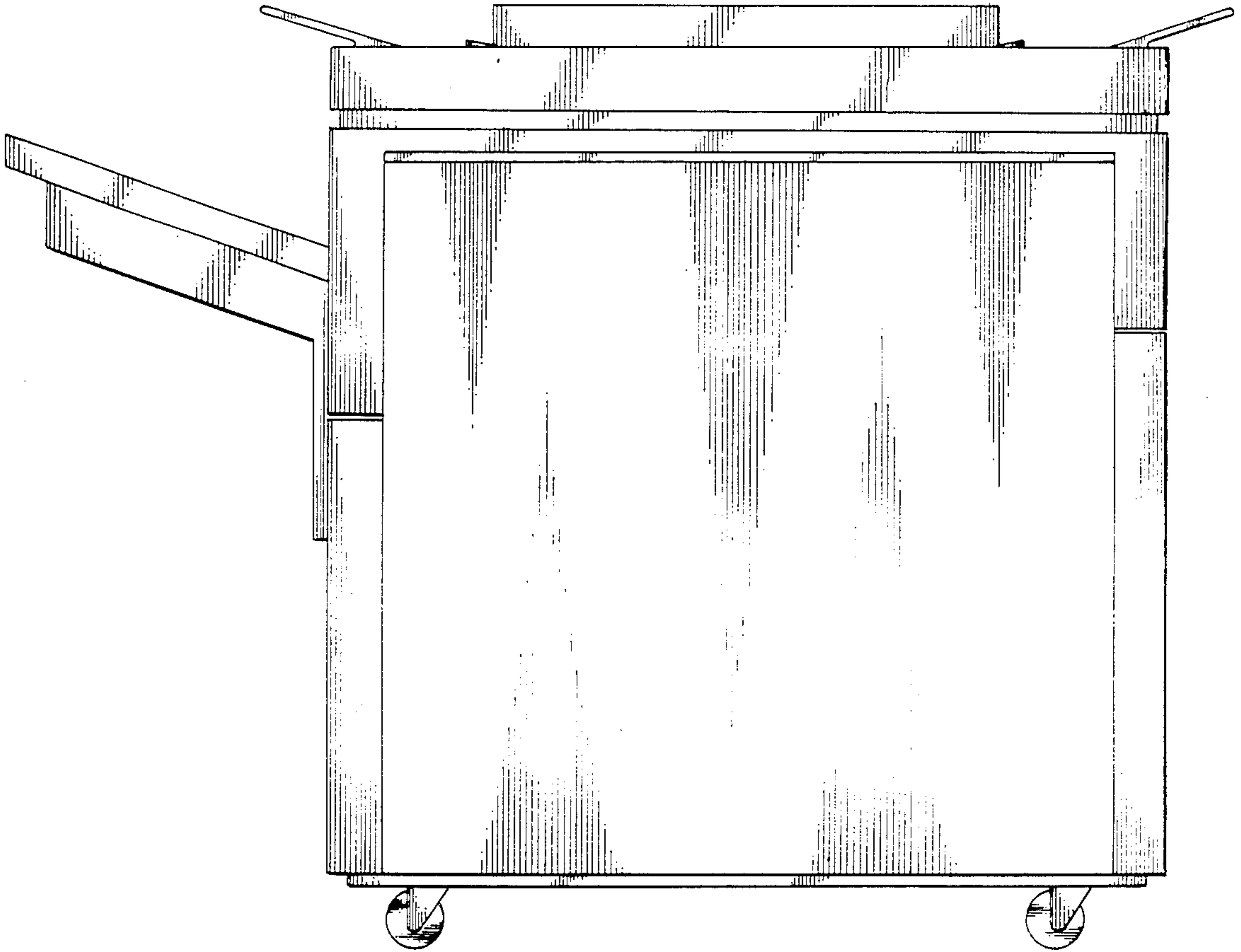


FIG. 4

