

[54] INDUSTRIAL ROBOT

[75] Inventors: Akifumi Inoue; Koshiro Takeda, both of Hamamatsu, Japan

[73] Assignee: Nippon Gakki Seizo Kabushiki Kaisha, Japan

[\*\*] Term: 14 Years

[21] Appl. No.: 731,796

[22] Filed: May 8, 1985

[30] Foreign Application Priority Data

Nov. 16, 1984 [JP] Japan ..... 59-47217

[52] U.S. Cl. .... D15/199; D15/122

[58] Field of Search ..... D15/122, 199; 414/729-742

[56] References Cited

U.S. PATENT DOCUMENTS

3,703,968 11/1972 Uhrich et al. .... 414/738

4,215,972 8/1980 Yamasaki ..... 414/742

4,274,802	6/1981	Inaba et al. ....	D15/199
4,345,864	8/1982	Smith, Jr. et al. ....	414/753
4,364,706	12/1982	Kranzlmüller ....	414/733
4,432,691	2/1984	Sterner ....	414/740

Primary Examiner—B. J. Bullock  
Attorney, Agent, or Firm—Ostrolenk, Faber, Gerb & Soffen

[57] CLAIM

The ornamental design for an industrial robot, as shown.

DESCRIPTION

FIG. 1 is a top, left side perspective view of an industrial robot showing our new design; FIG. 2 is a top, left side perspective view with the arm in an alternate position; FIG. 3 is a front view thereof; FIG. 4 is a right-side view thereof; FIG. 5 is a back view thereof; and FIG. 6 is a top plan view thereof, the bottom being unornamented.

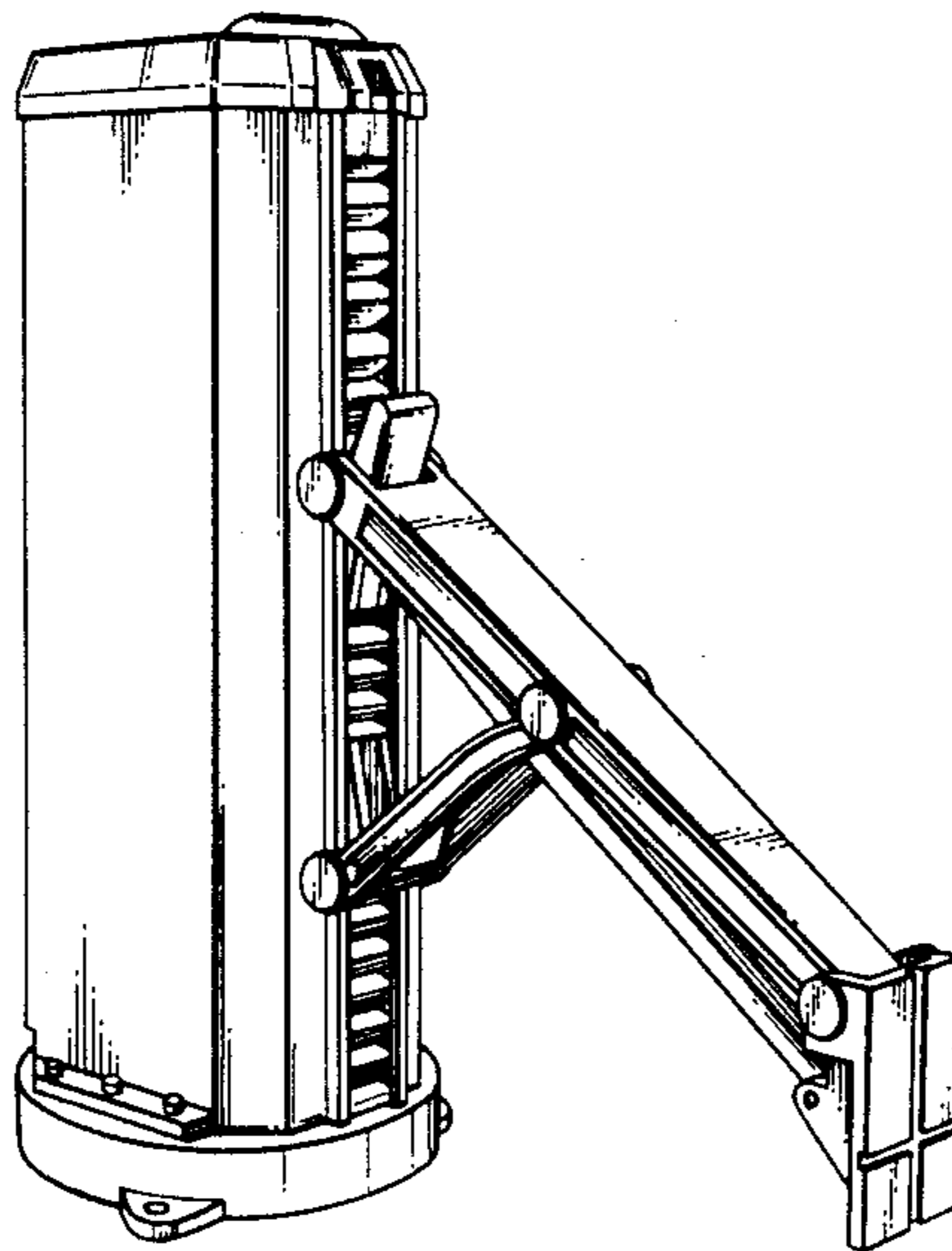


FIG. 1

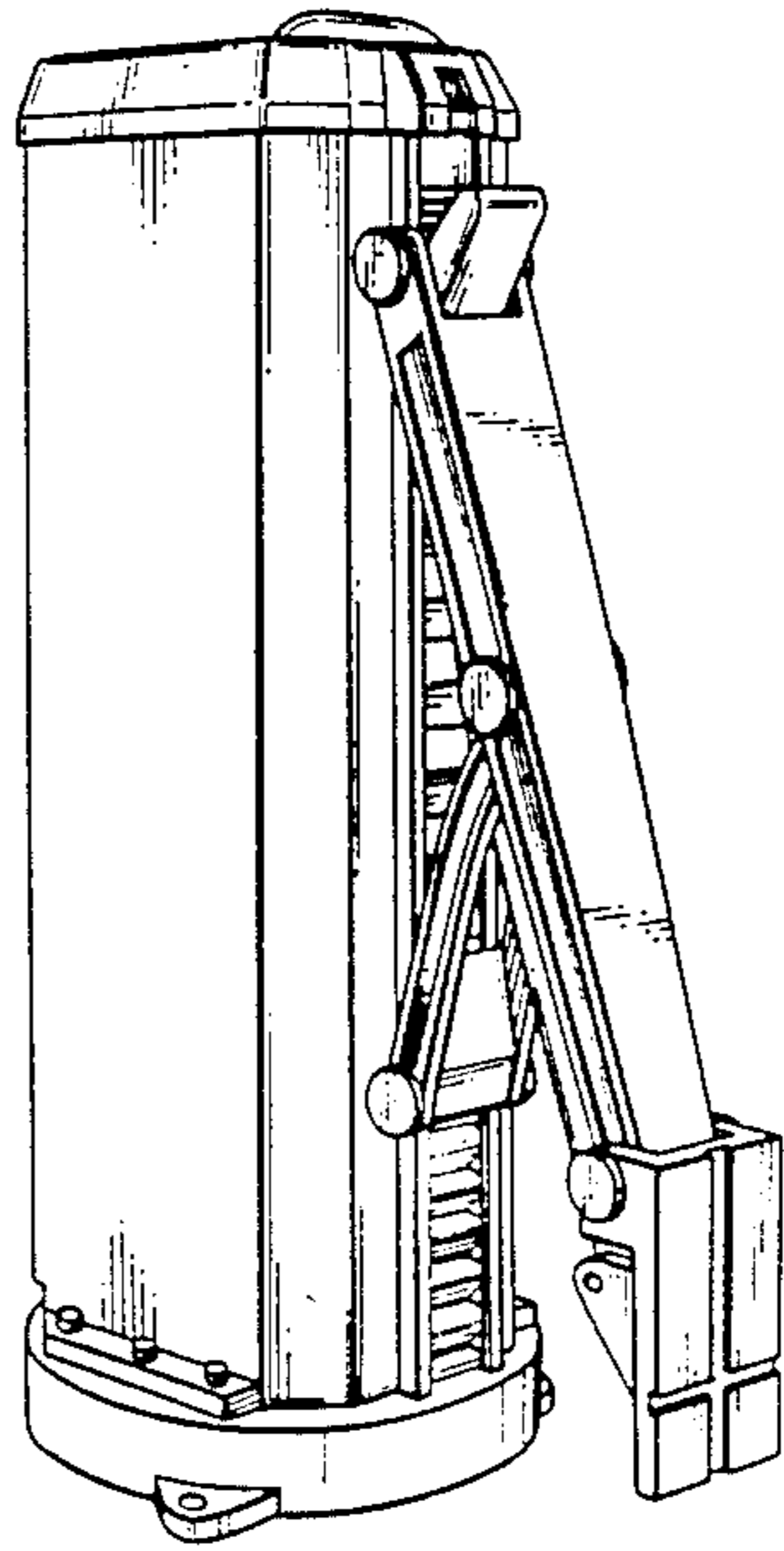


FIG. 2

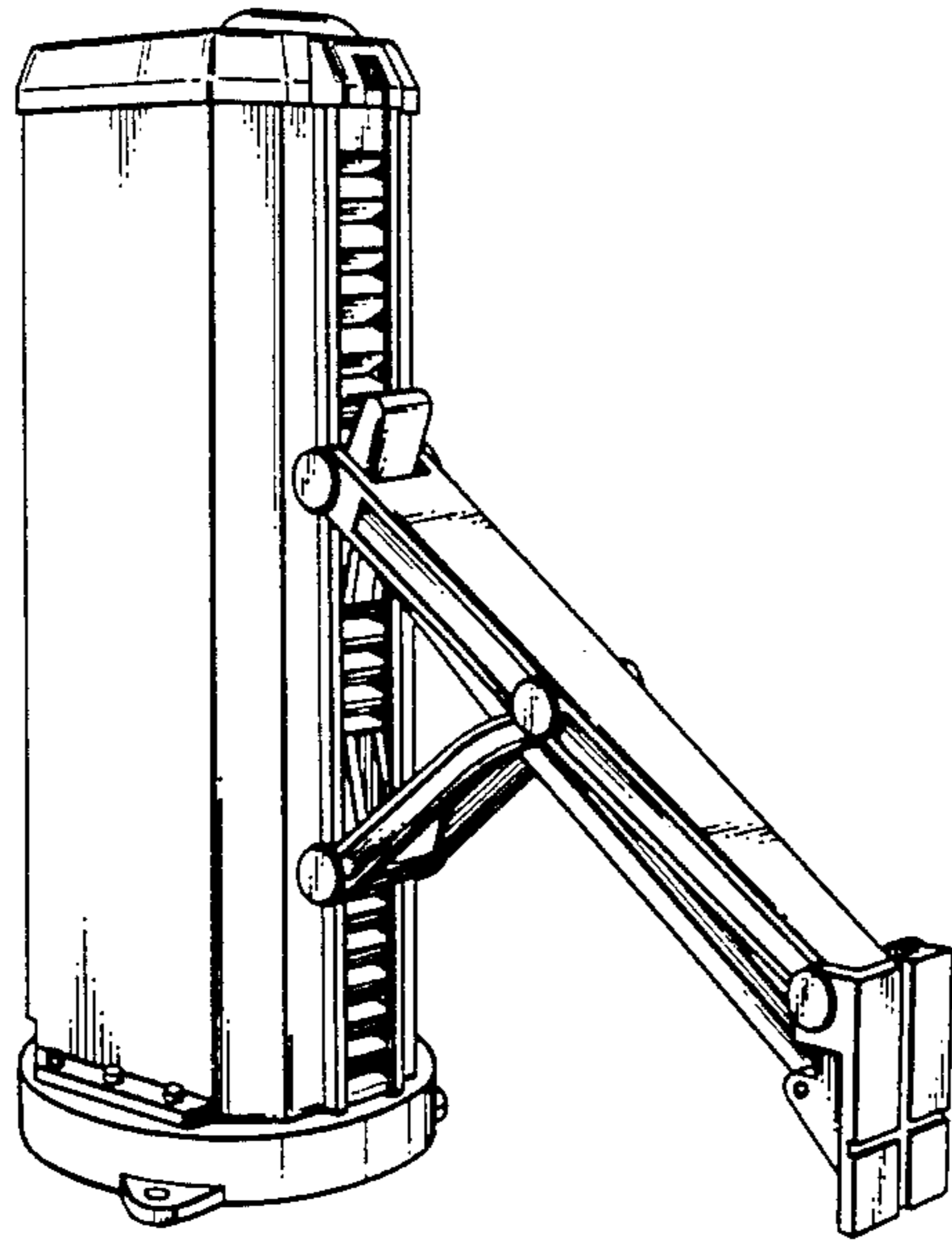


FIG.3

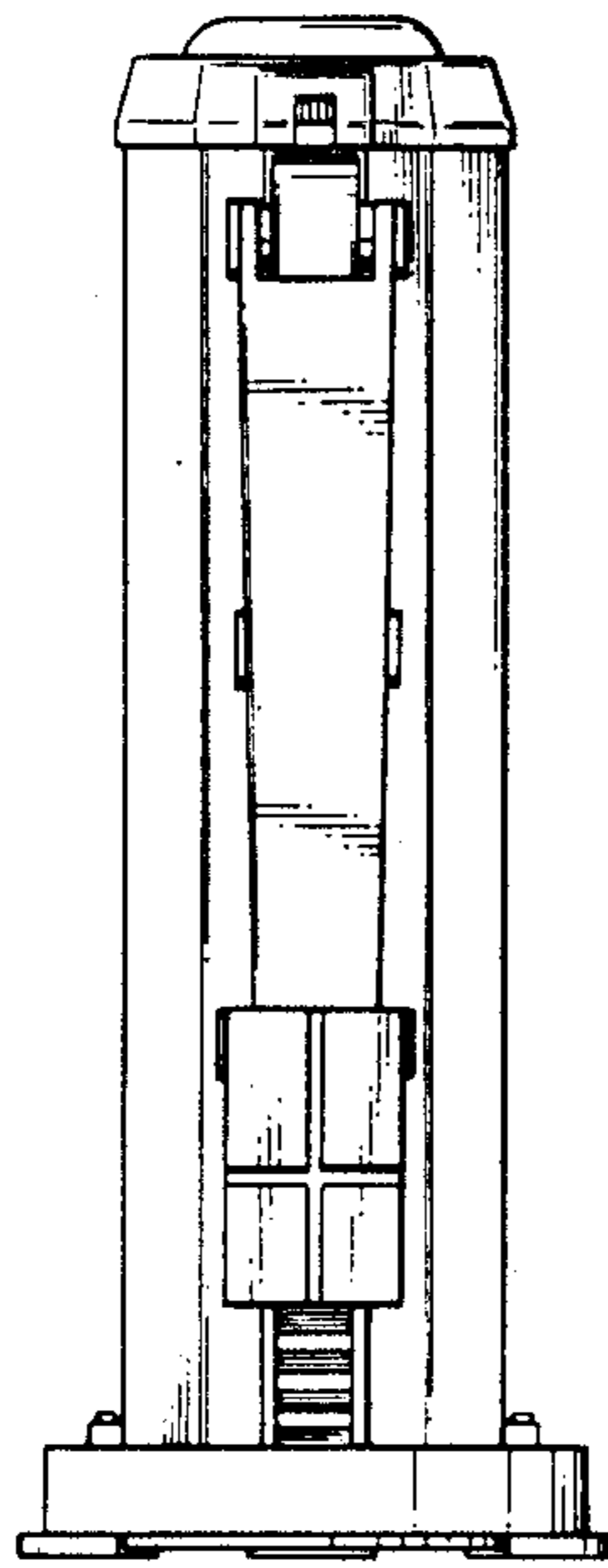


FIG.4

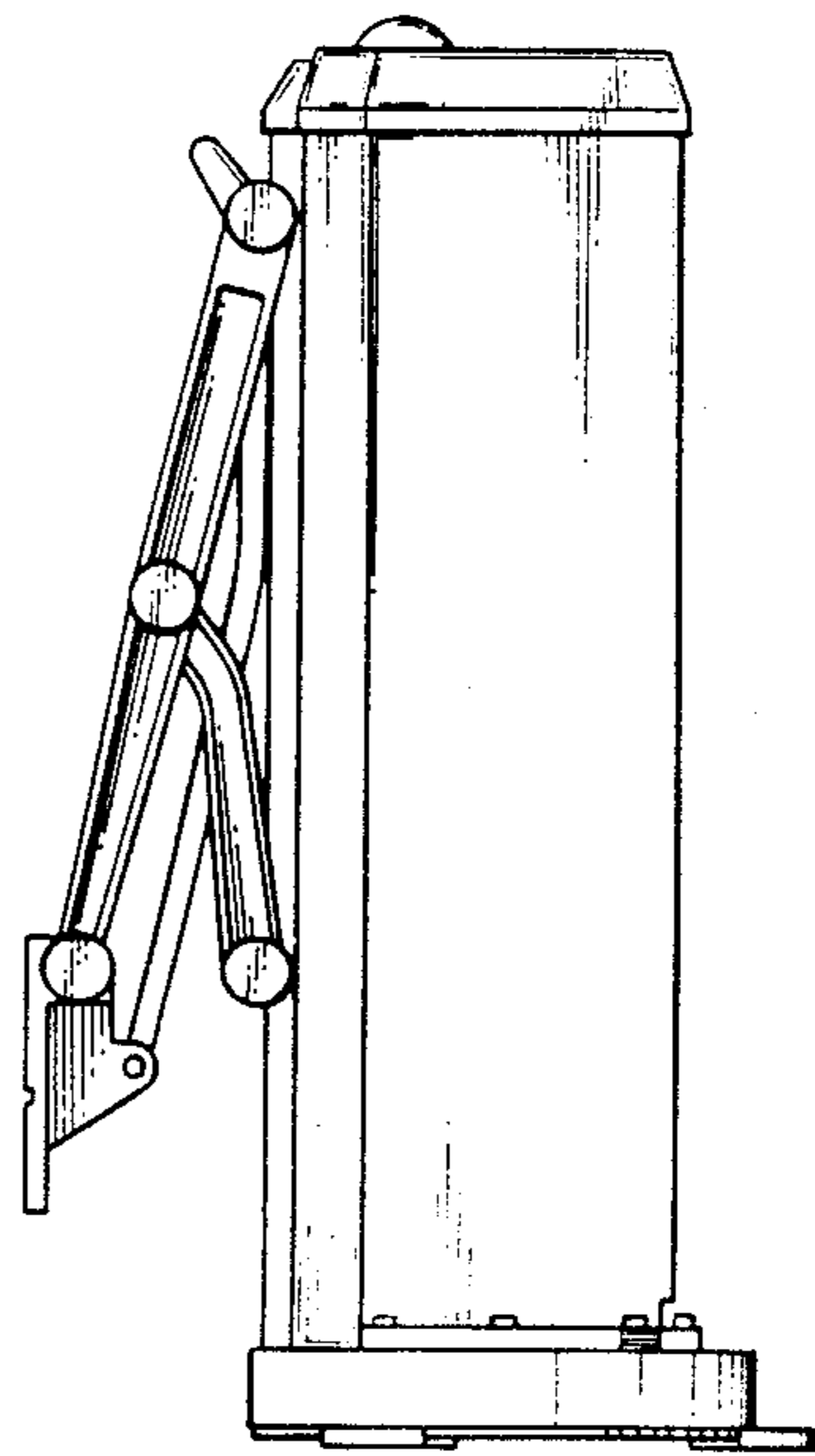


FIG.5

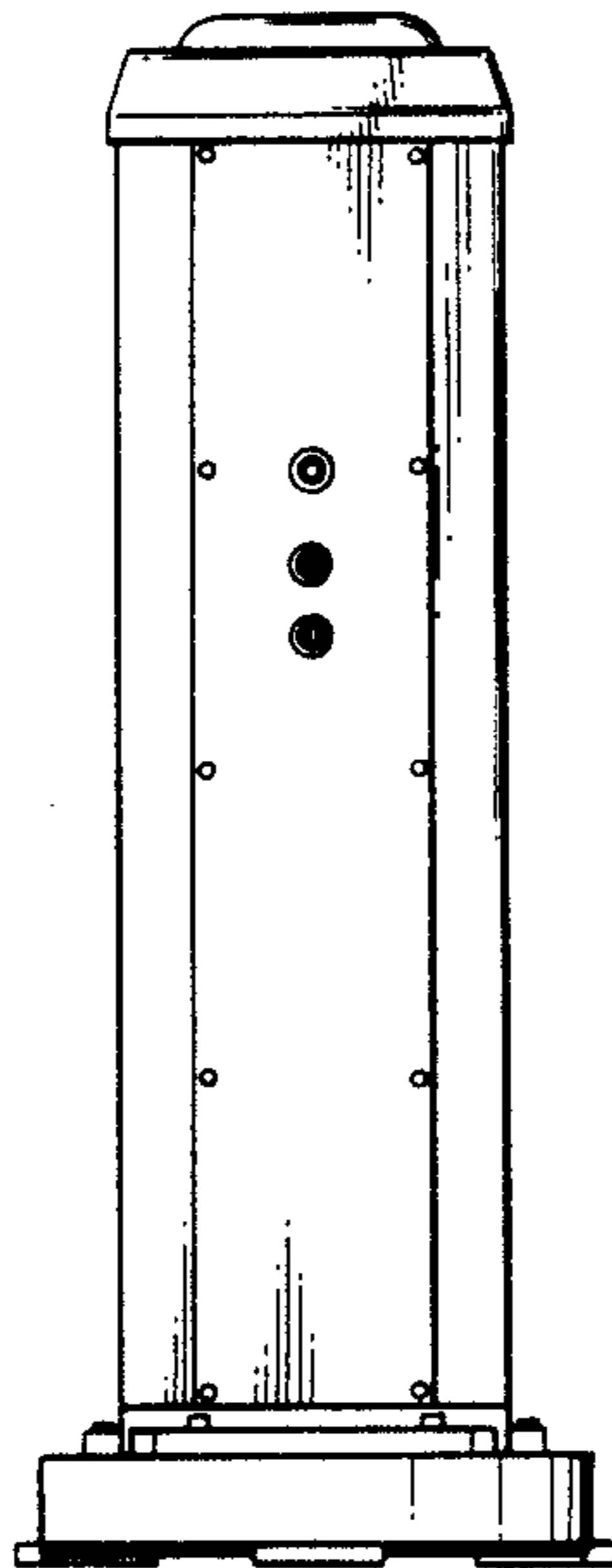


FIG.6

