

[54] CUTTING INSERT

[75] Inventors: Lars T. Pettersson, Gävle; Jörgen V. Wiman, Sandviken, both of Sweden

[73] Assignee: Santrade Limited, Switzerland

[**] Term: 14 Years

[21] Appl. No.: 724,573

[22] Filed: Apr. 18, 1985

[30] Foreign Application Priority Data

Oct. 18, 1984 [SE] Sweden 84-2783

[52] U.S. Cl. D15/139

[58] Field of Search D15/128, 135-136, D15/138-139; 407/114, 115, 116

[56] References Cited

U.S. PATENT DOCUMENTS

D. 280,514	9/1985	Porat et al.	D15/139
3,751,782	8/1973	Fruish	407/114
3,875,663	4/1975	Gustafson et al.	407/114
4,340,324	7/1982	McCreery	407/114
4,507,024	3/1985	Stashko	407/114

FOREIGN PATENT DOCUMENTS

2035859 6/1980 United Kingdom 407/114

OTHER PUBLICATIONS

Valenite, "Total Capability Tooling Manual", 5/1984, p. 78, CNGA, bottom left.

Primary Examiner—B. J. Bullock

Assistant Examiner—Ruth Takemoto

Attorney, Agent, or Firm—Burns, Doane, Swecker & Mathis

CLAIM

[57] The ornamental design for a cutting insert, as shown and described.

DESCRIPTION

FIG. 1 is a top perspective view of a cutting insert showing our new design; FIG. 2 is a bottom plan view thereof; FIG. 3 is a side elevational view thereof, the opposite side being identical; and FIG. 4 is another side elevational view thereof, the opposite side being identical.

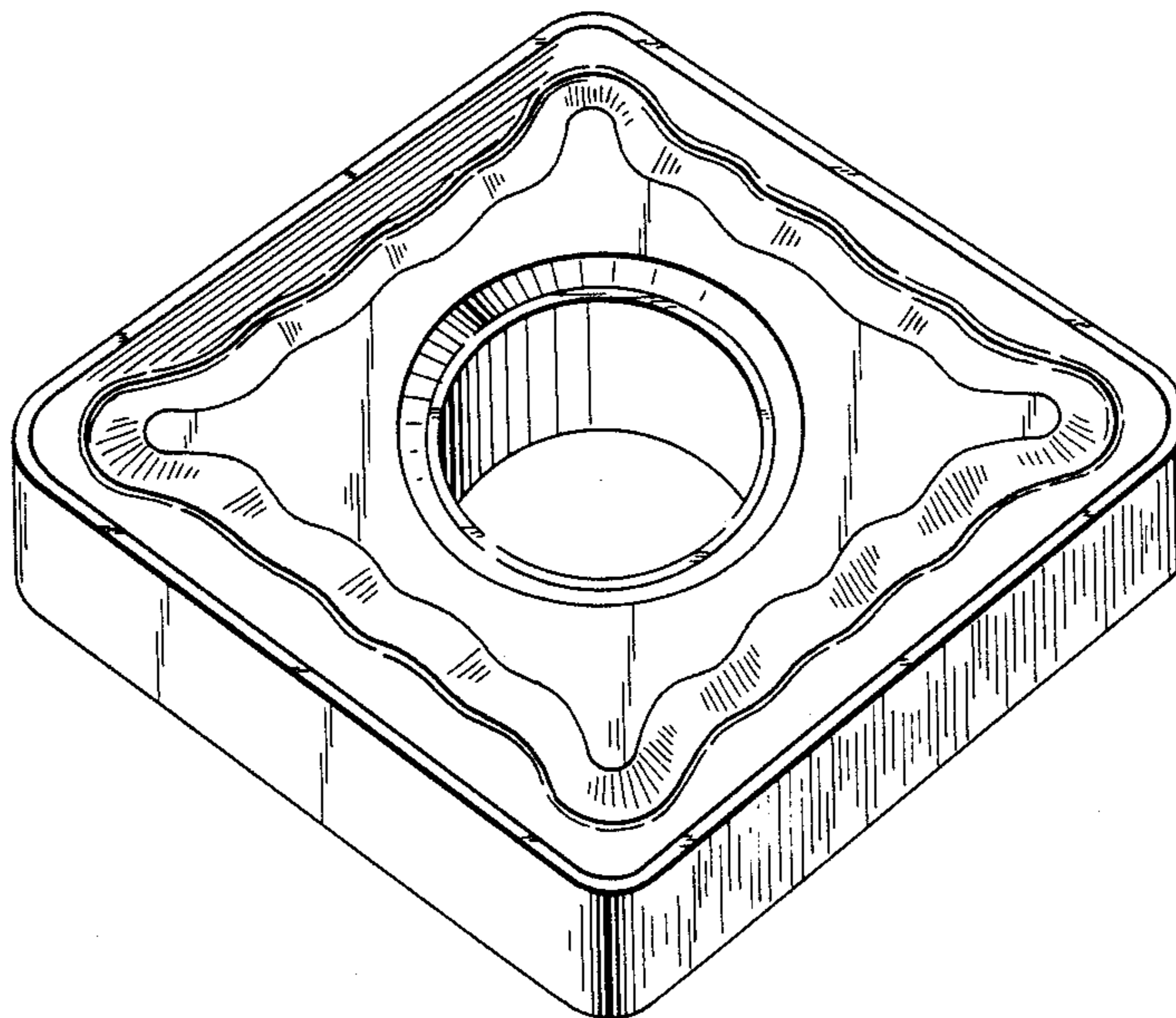


Fig. 1

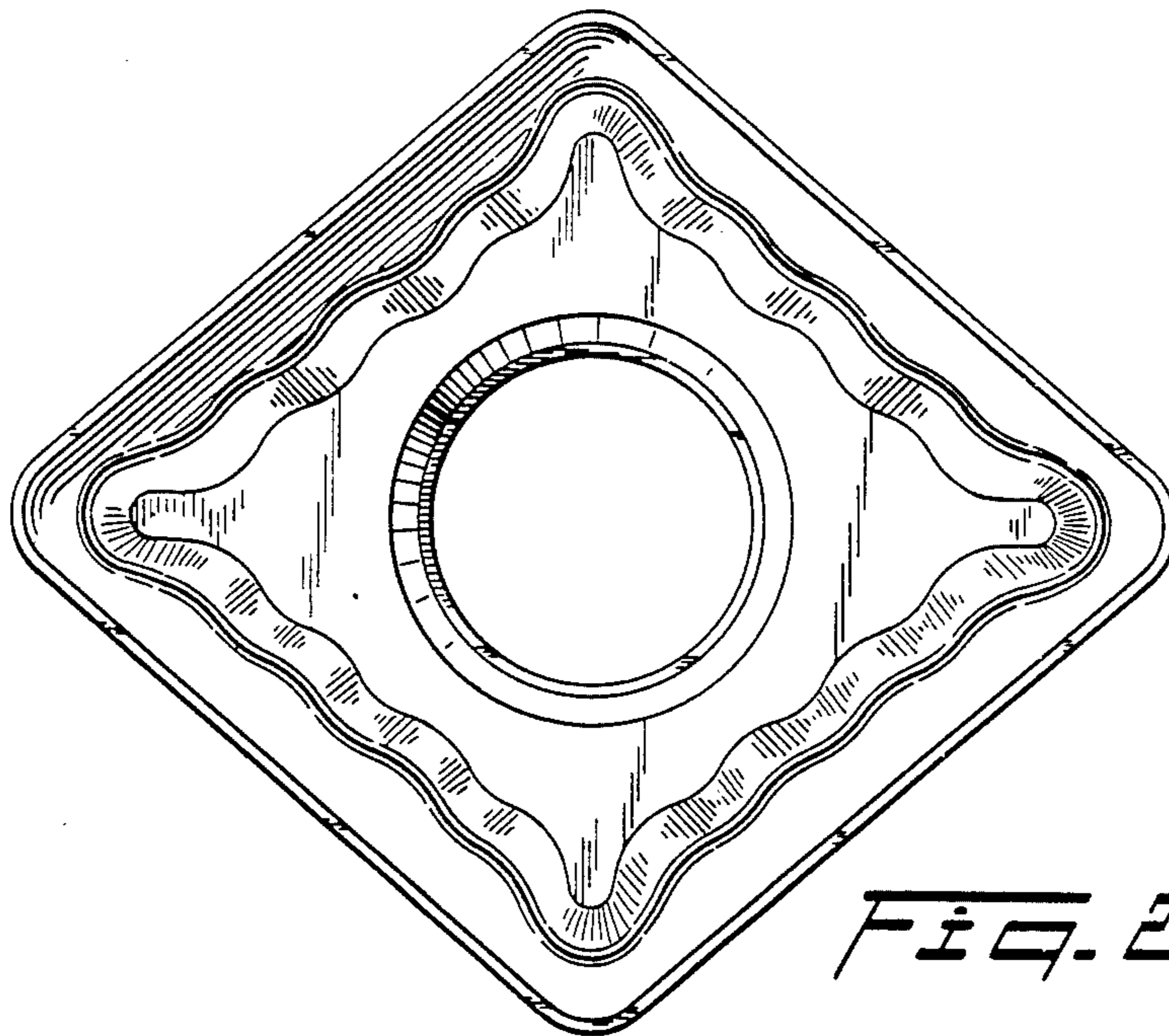
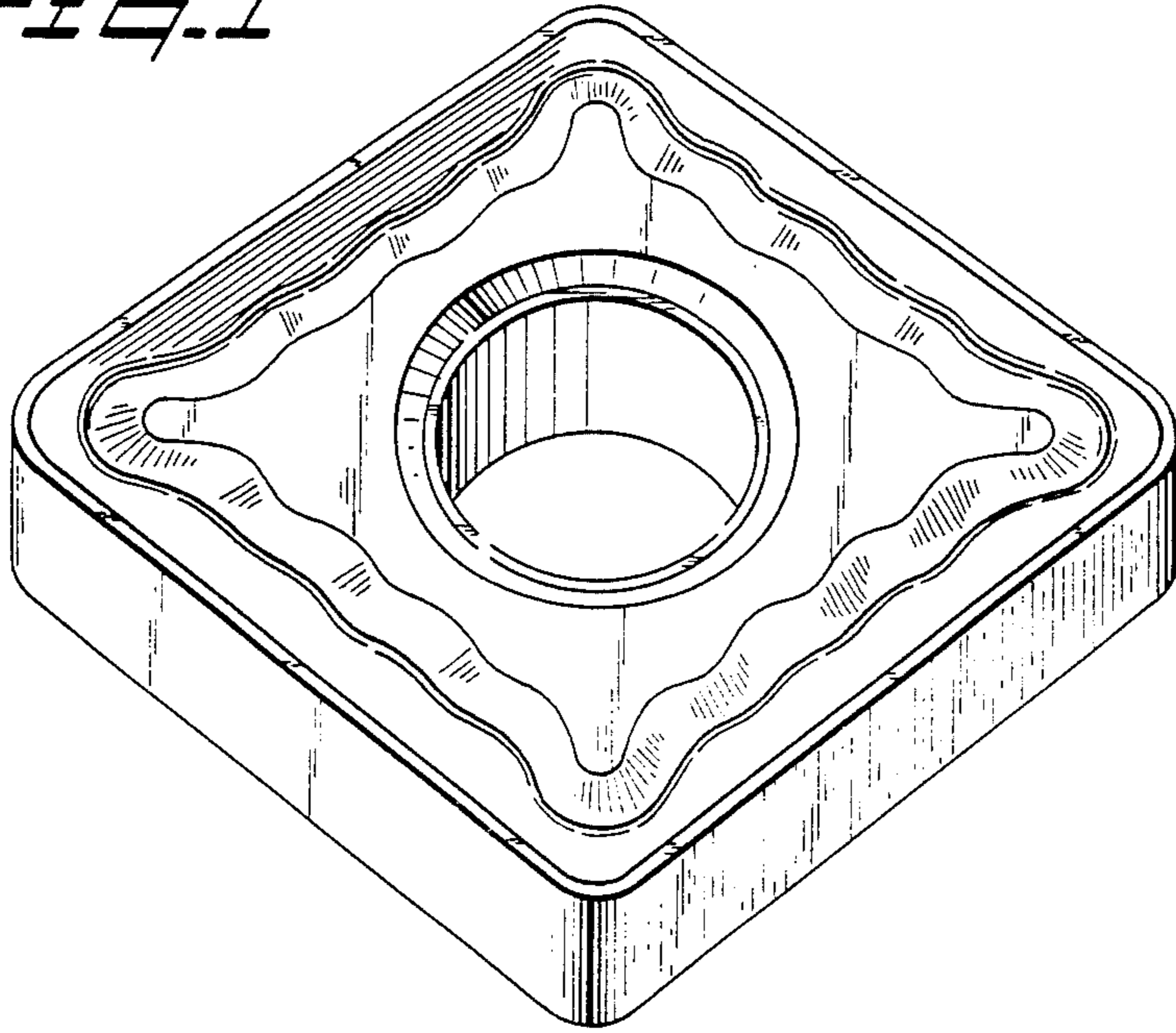


Fig. 2

Fig. 3

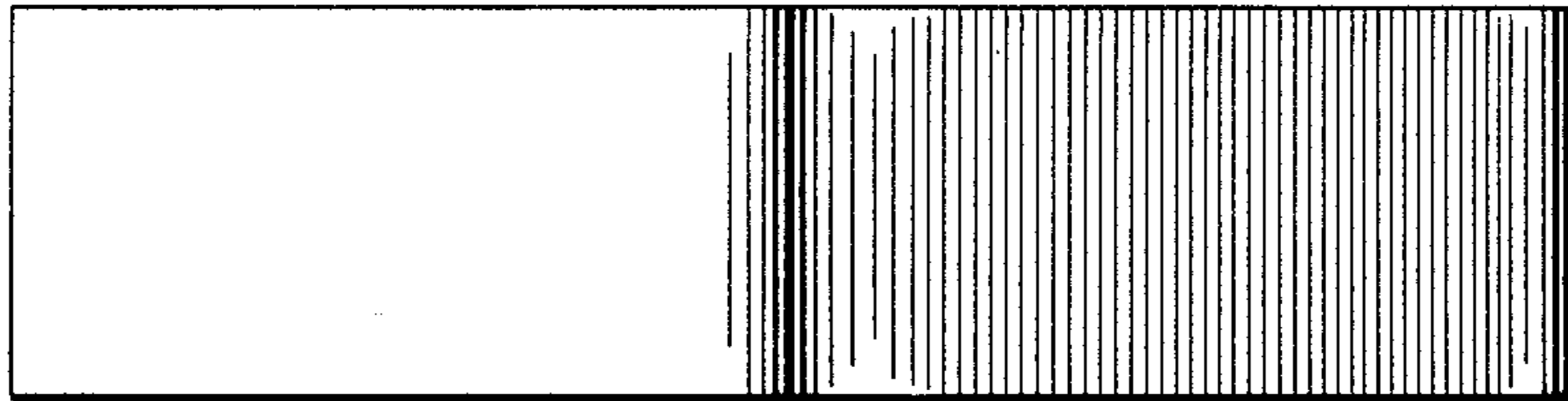


Fig. 4

