

[54] DICTATING MACHINE

D. 272,443 1/1984 Wong et al. D14/68 X
D. 278,429 4/1985 Doodson et al. D14/6 X

[75] Inventors: John W. Hoover, Huntington;
Richard G. Rutkowski, Milford;
Rocco Luppino, South Norwalk, all
of Conn.

OTHER PUBLICATIONS

Hong Kong Enterprise, 8/83, p. 17, top right of page.

[73] Assignee: Dictaphone Corporation, Rye, N.Y.

Primary Examiner—Bernard Ansher
Assistant Examiner—Theodore M. Shooman
Attorney, Agent, or Firm—Robert H. Whisker; Melvin J.
Scolnick; David E. Pitchenik

[**] Term: 14 Years

[57] CLAIM

[21] Appl. No.: 677,418

The ornamental design for a dictating machine, as
shown and described.

[22] Filed: Dec. 3, 1984

[52] U.S. Cl. D14/3; D14/2;
D14/4

DESCRIPTION

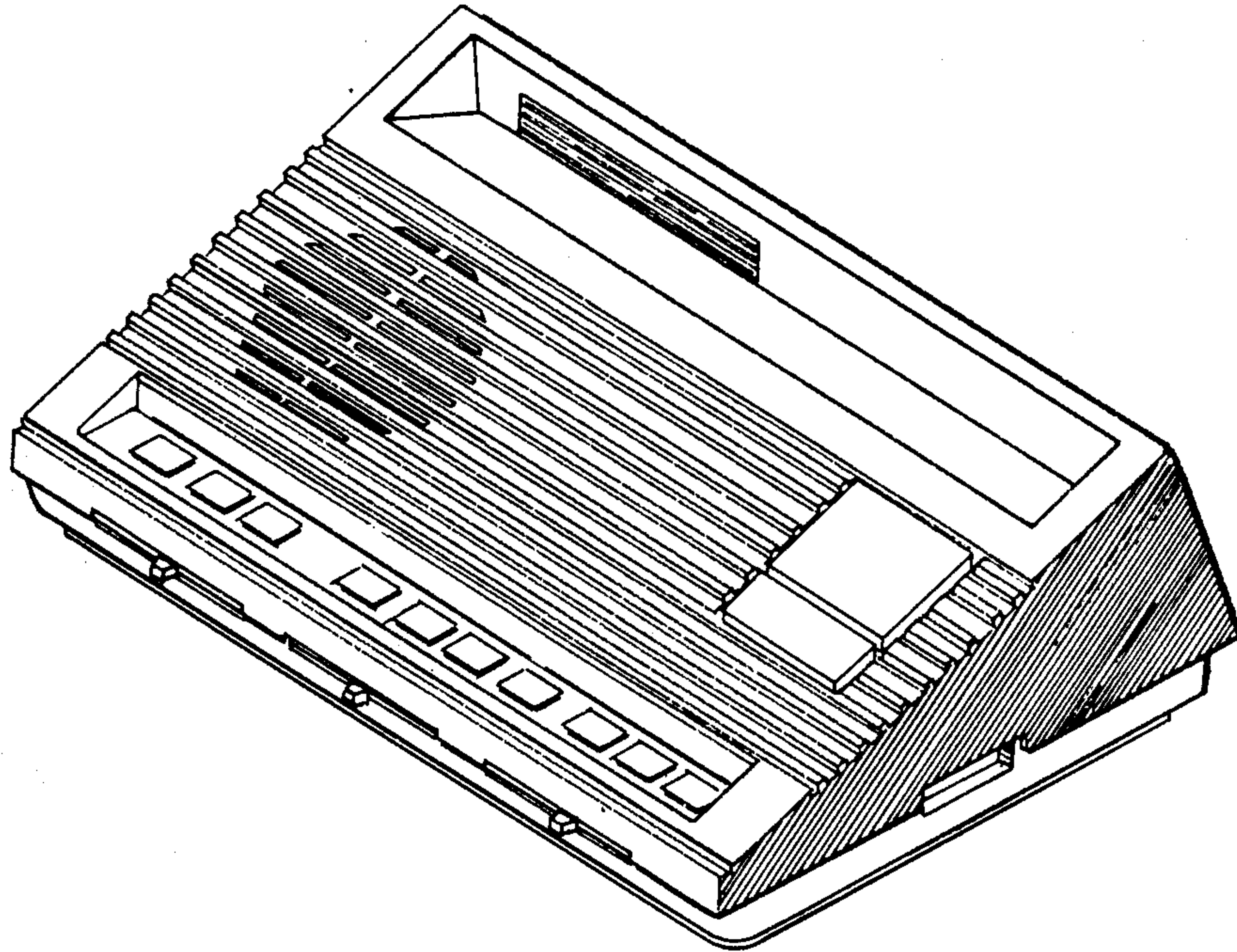
[58] Field of Search D14/1, 2, 3, 5, 6, 68,
D14/99; 360/99

FIG. 1 is a top, front, and right side perspective view of
a dictating machine showing our new design;
FIG. 2 is a front elevational view thereof;
FIG. 3 is a rear elevational view thereof;
FIG. 4 is a left side elevational view thereof;
FIG. 5 is a right side elevational view thereof;
FIG. 6 is a top plan view thereof; and
FIG. 7 is a bottom plan view thereof.

[56] References Cited

U.S. PATENT DOCUMENTS

D. 265,193 6/1982 Fung D14/5
D. 266,503 10/1982 Pulos et al. D14/6
D. 272,341 1/1984 Martinez D14/6 X



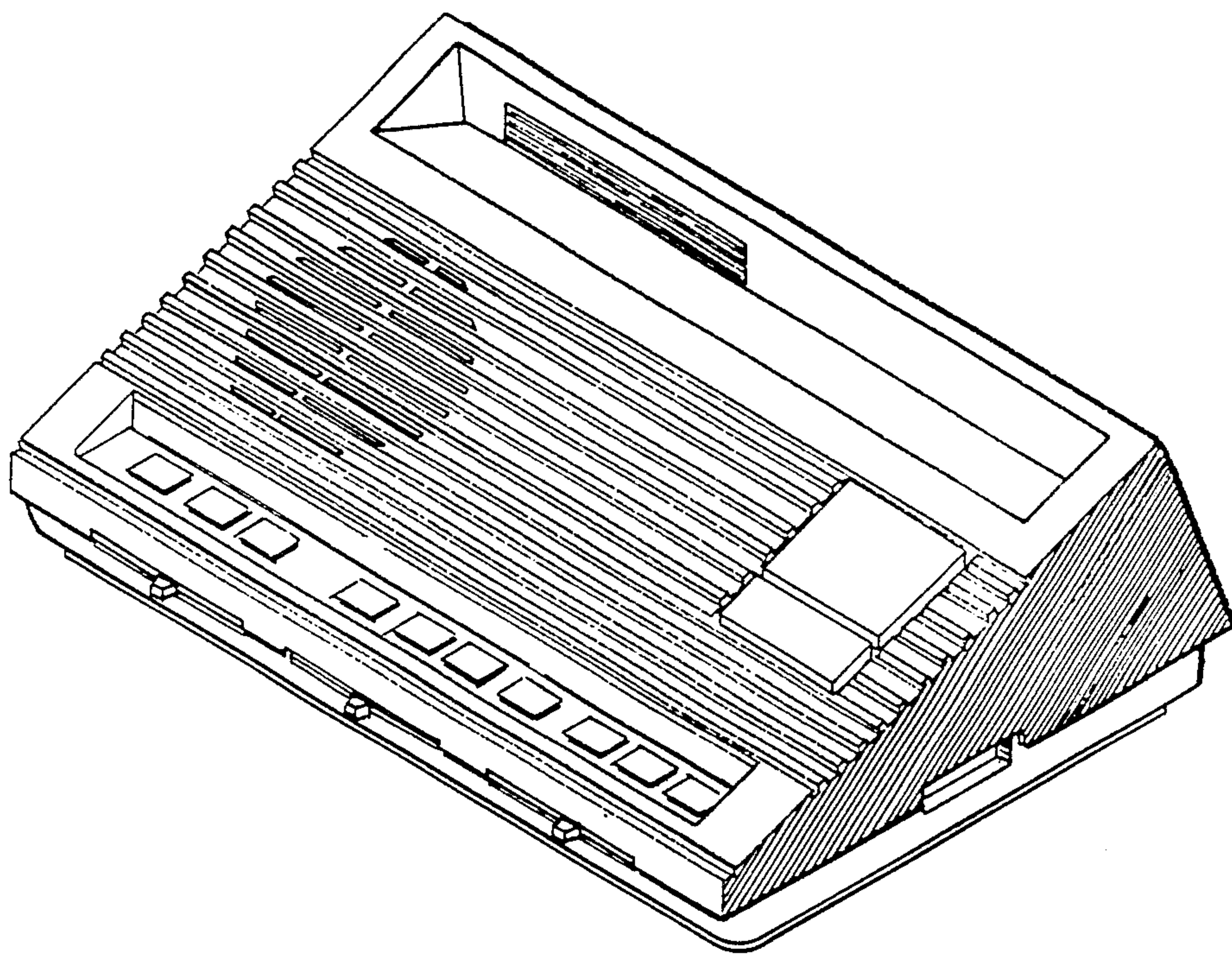


FIG. 1

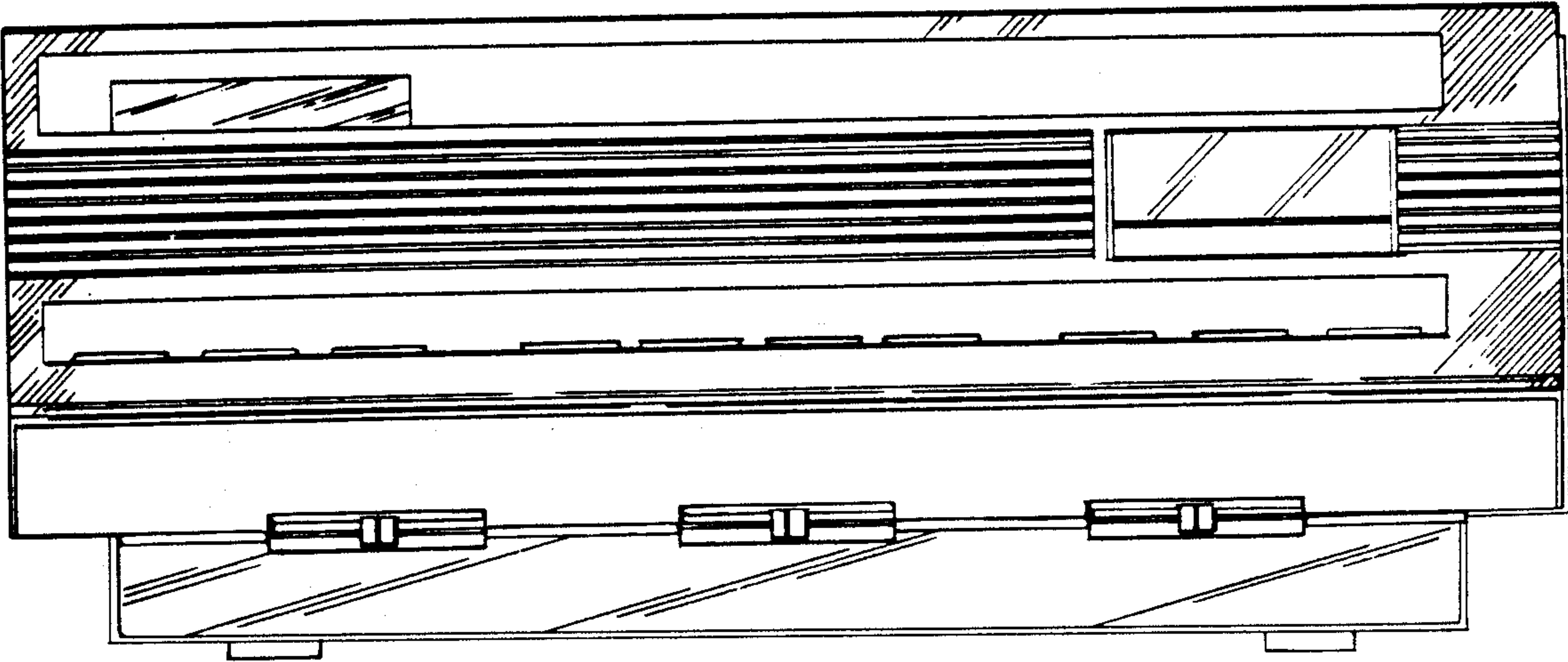


FIG. 2

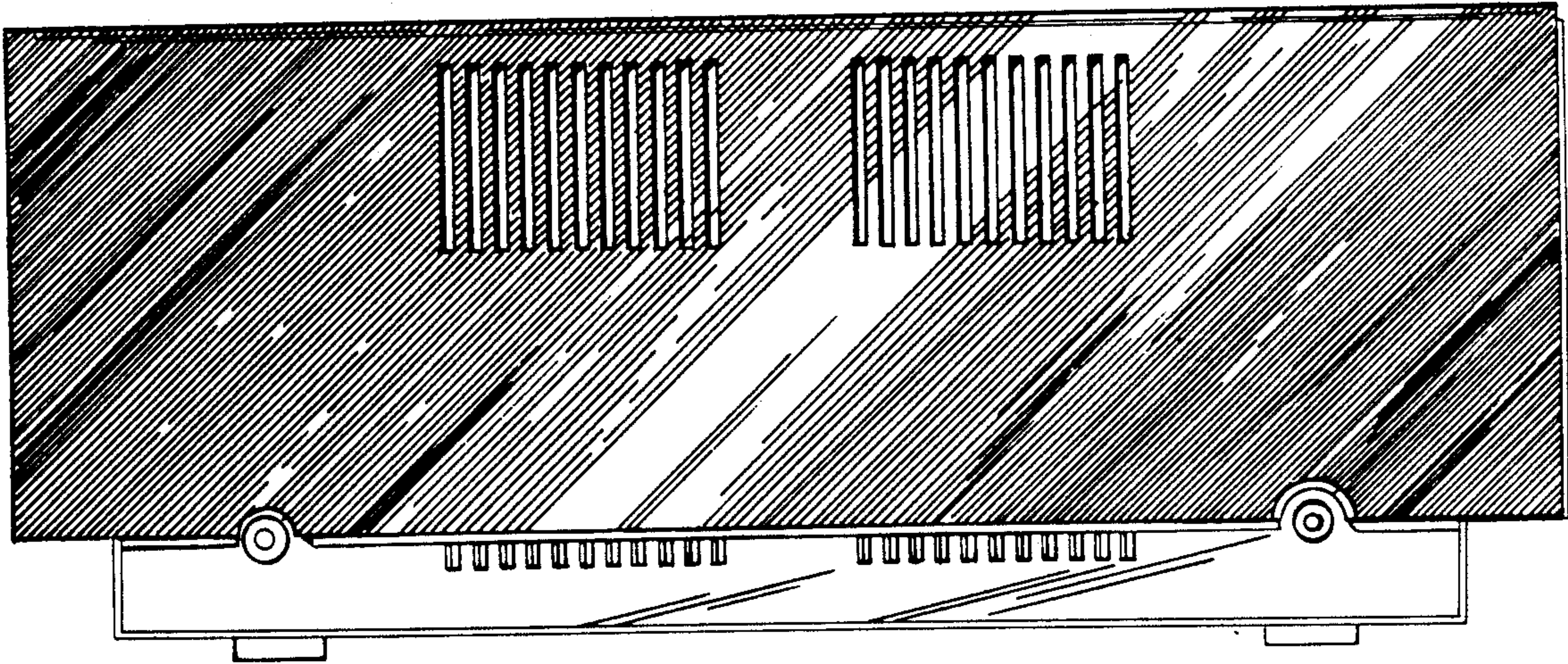


FIG. 3

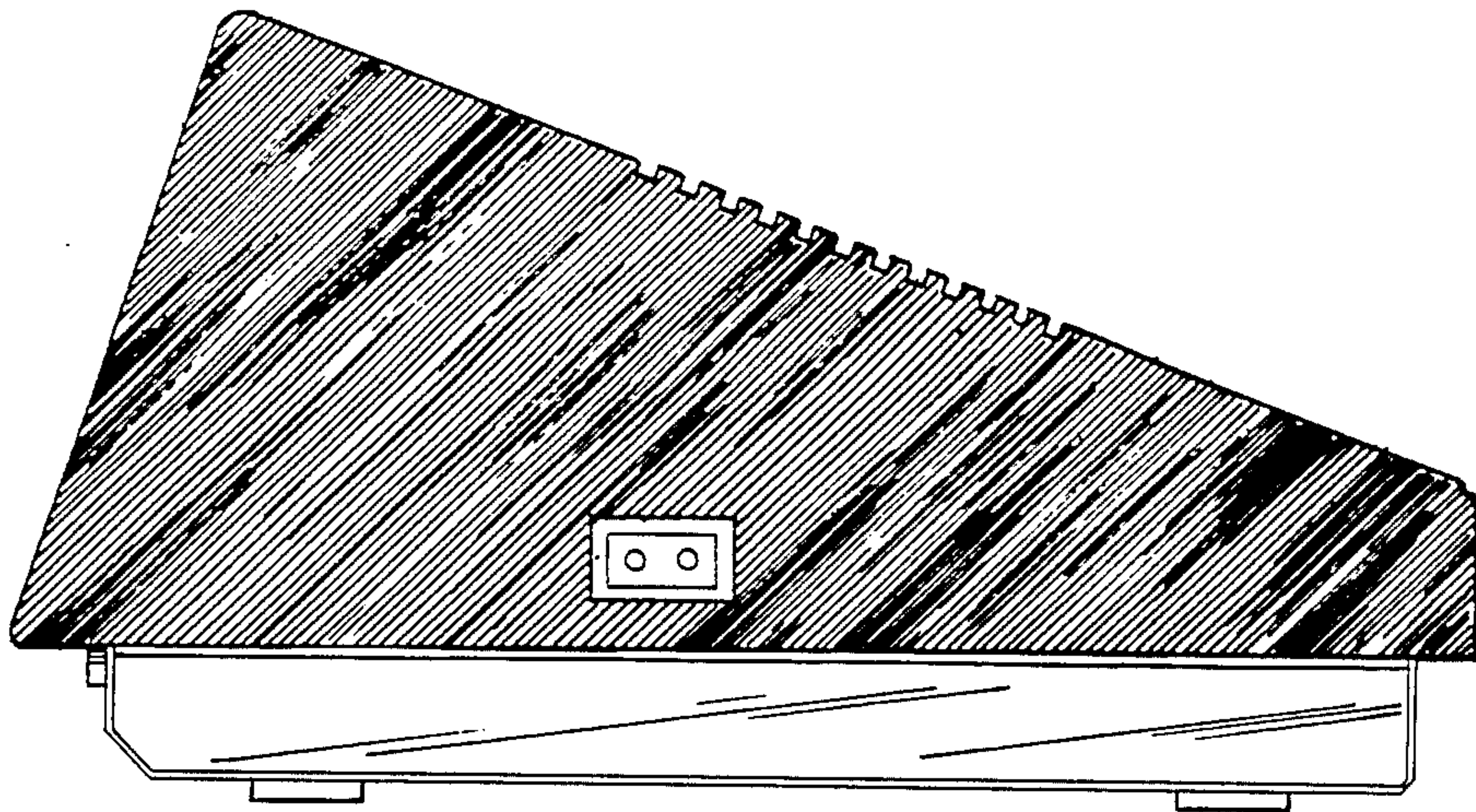


FIG. 4

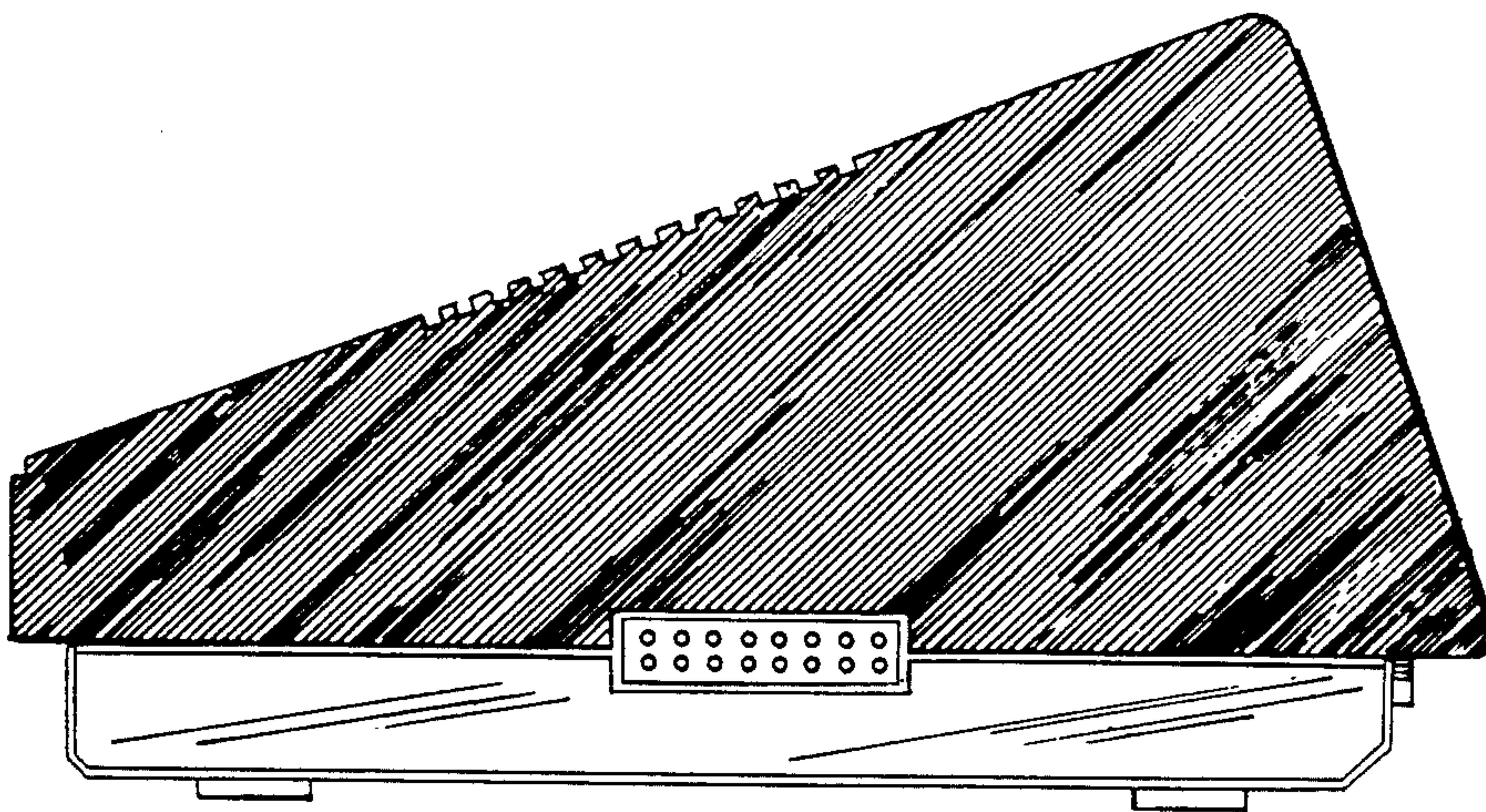


FIG. 5

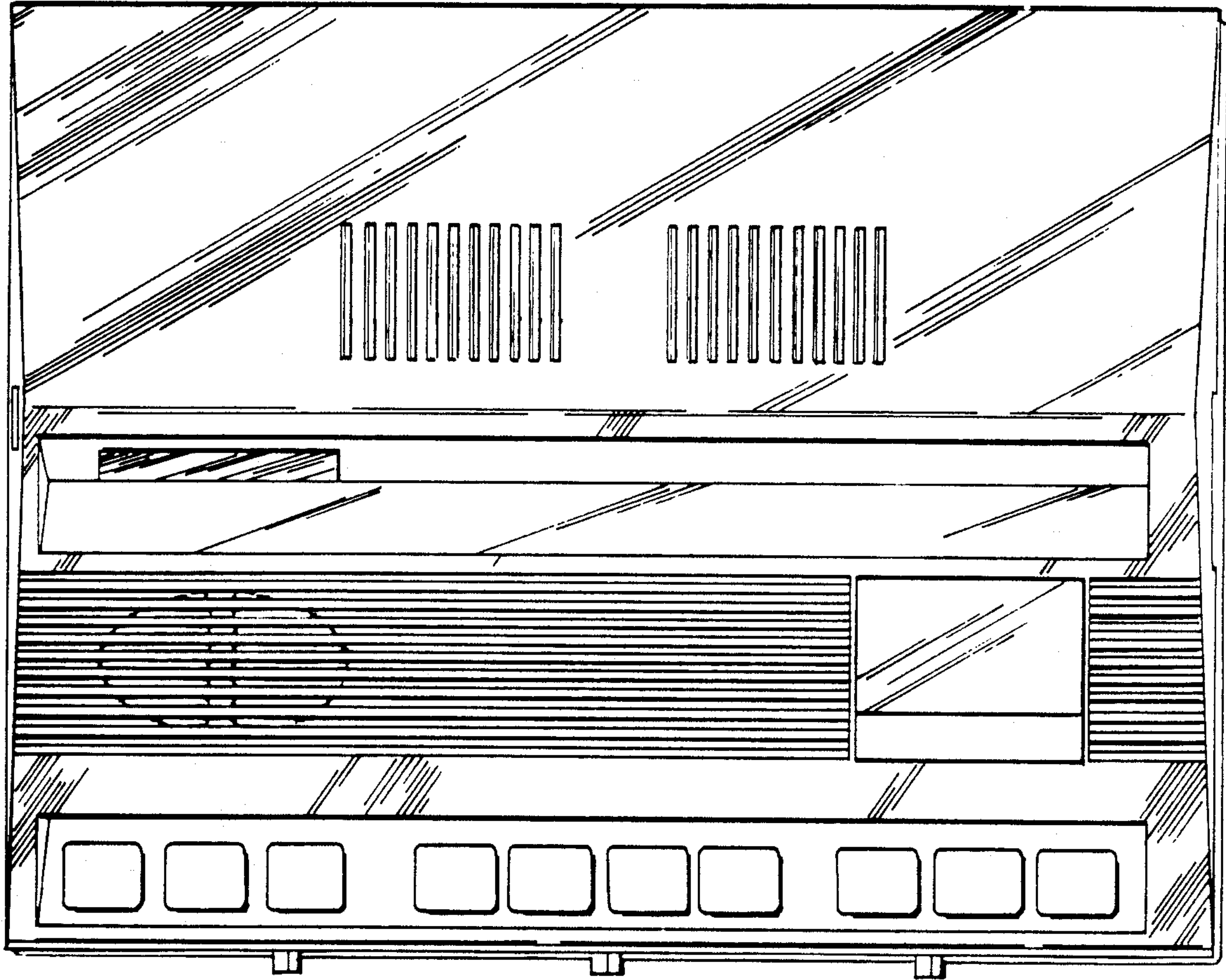


FIG. 6

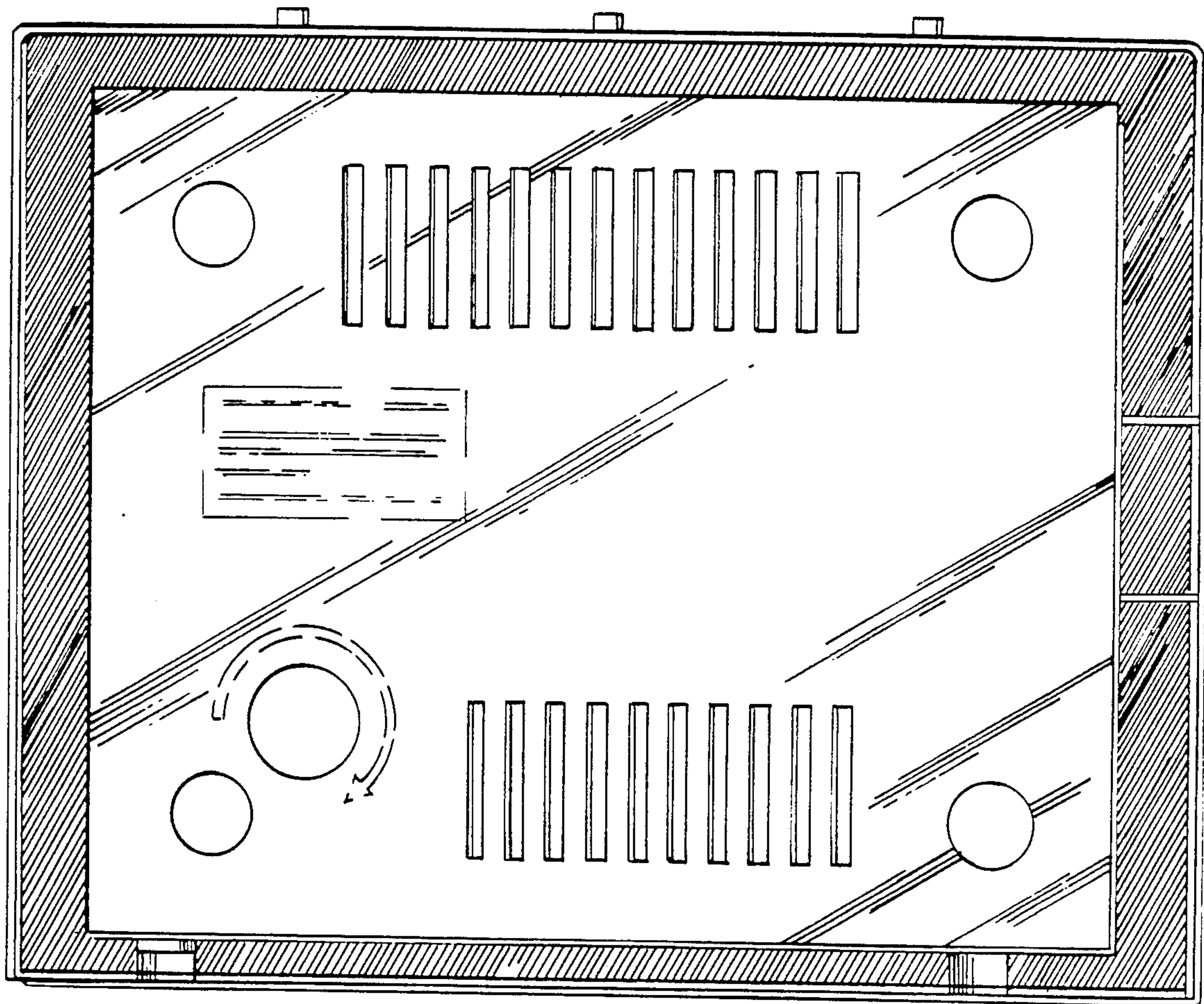


FIG. 7