

[54] BICYCLE

[76] Inventor: **Yoshio Koyama**, 5-25-9 Kawabe-cho, Ohme-shi, Tokyo, Japan

[**] Term: **14 Years**

[21] Appl. No.: **743,645**

[22] Filed: **Jun. 11, 1985**

[52] U.S. Cl. **D12/111**

[58] Field of Search **D12/111; 280/281 R, 280/281 W**

[56] **References Cited**

U.S. PATENT DOCUMENTS

3,802,721 4/1974 Hubbard **D12/111**

FOREIGN PATENT DOCUMENTS

347264 12/1904 France **280/281 W**

Primary Examiner—James M. Gandy
Attorney, Agent, or Firm—Fred Philpitt

[57] **CLAIM**

The ornamental design for a bicycle, as shown and described.

DESCRIPTION

FIG. 1 is a top plan view of my bicycle;
FIG. 2 is a side elevation view of my bicycle;
FIG. 3 is a bottom plan view of my bicycle;
FIG. 4 is a rear elevation view of my bicycle;
FIG. 5 is another side elevation view of my bicycle;
FIG. 6 is a front elevation view of my bicycle;
FIG. 7 is a perspective view of my bicycle.

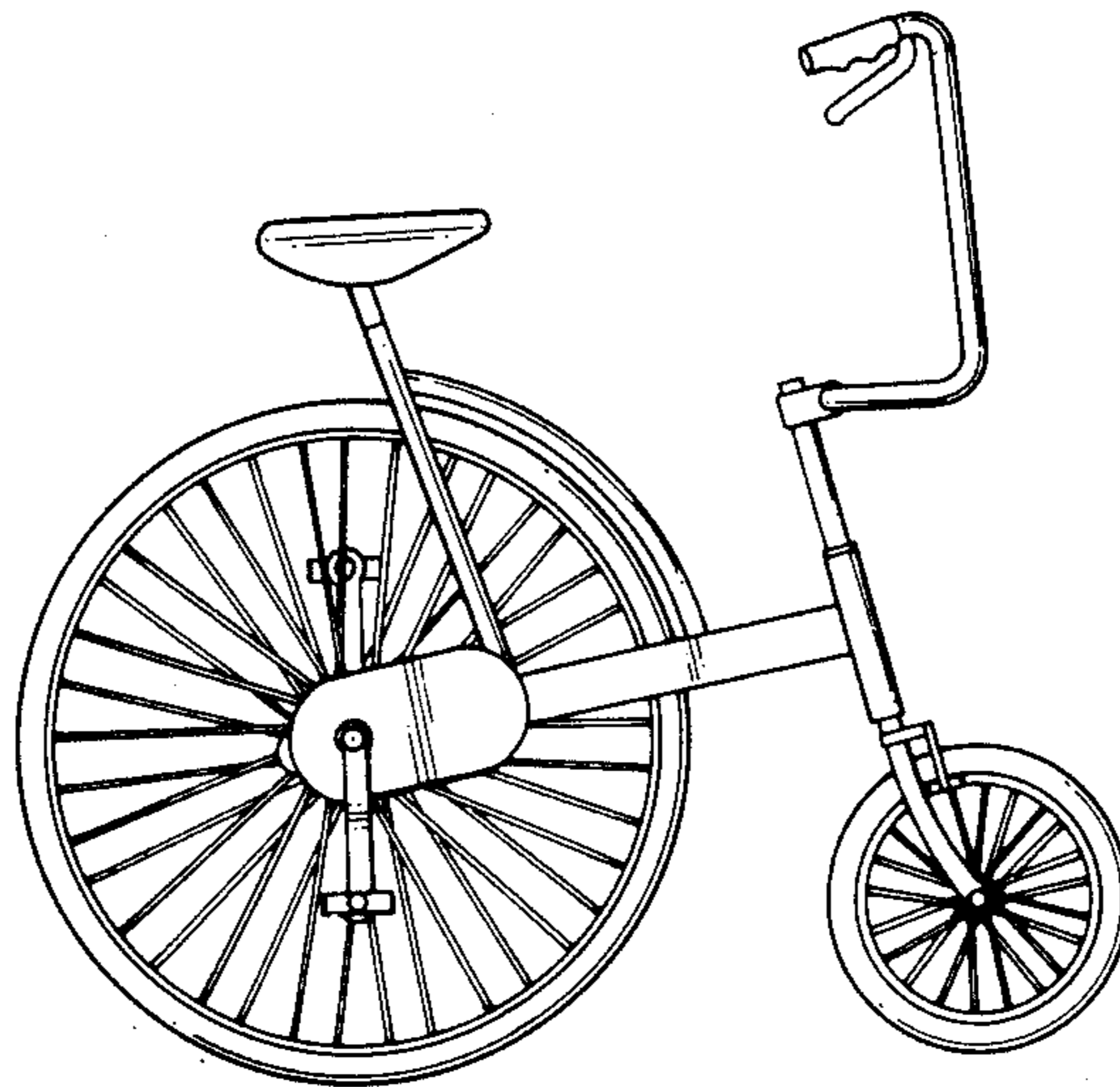


FIG. 1

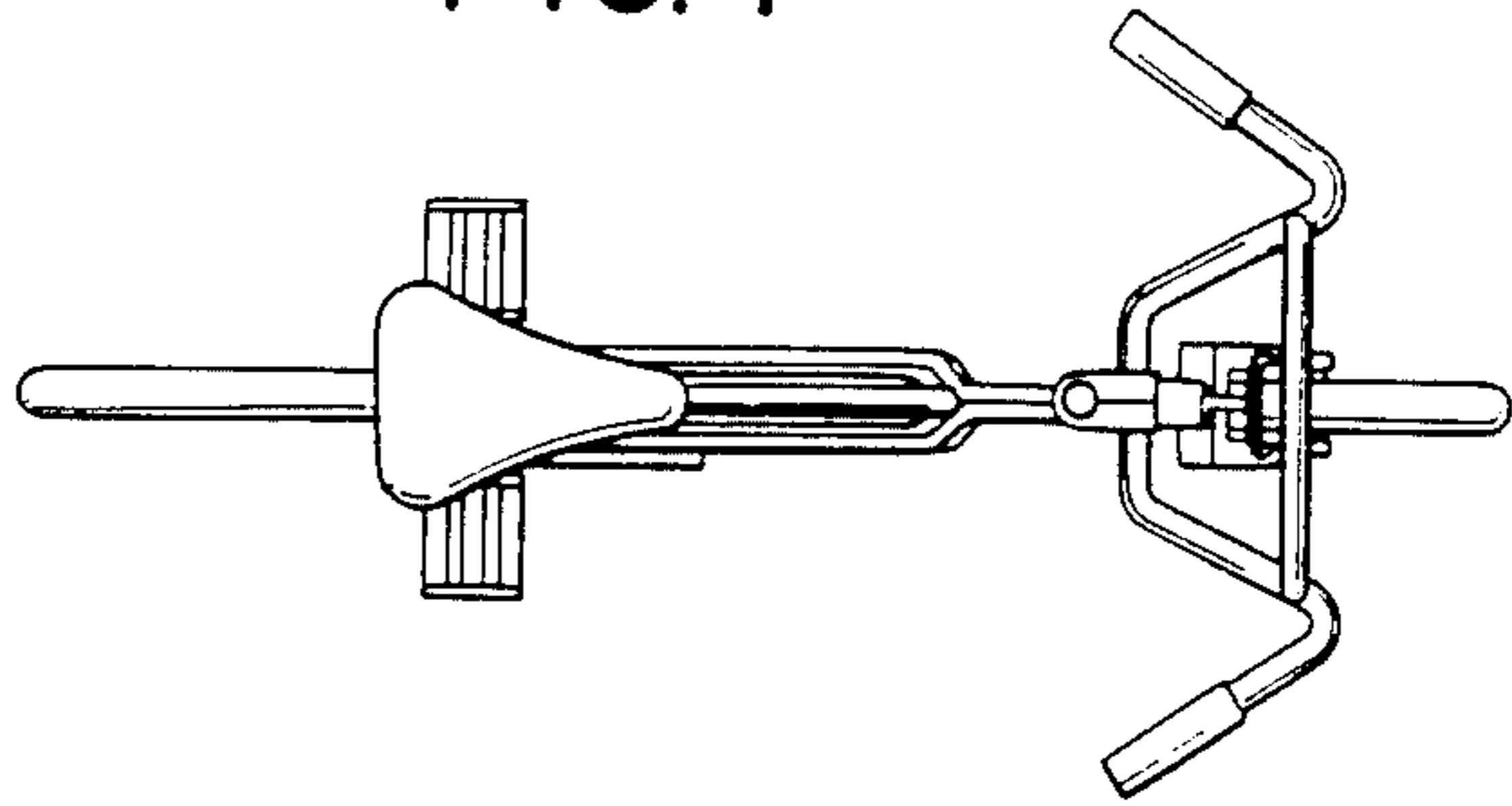


FIG. 4

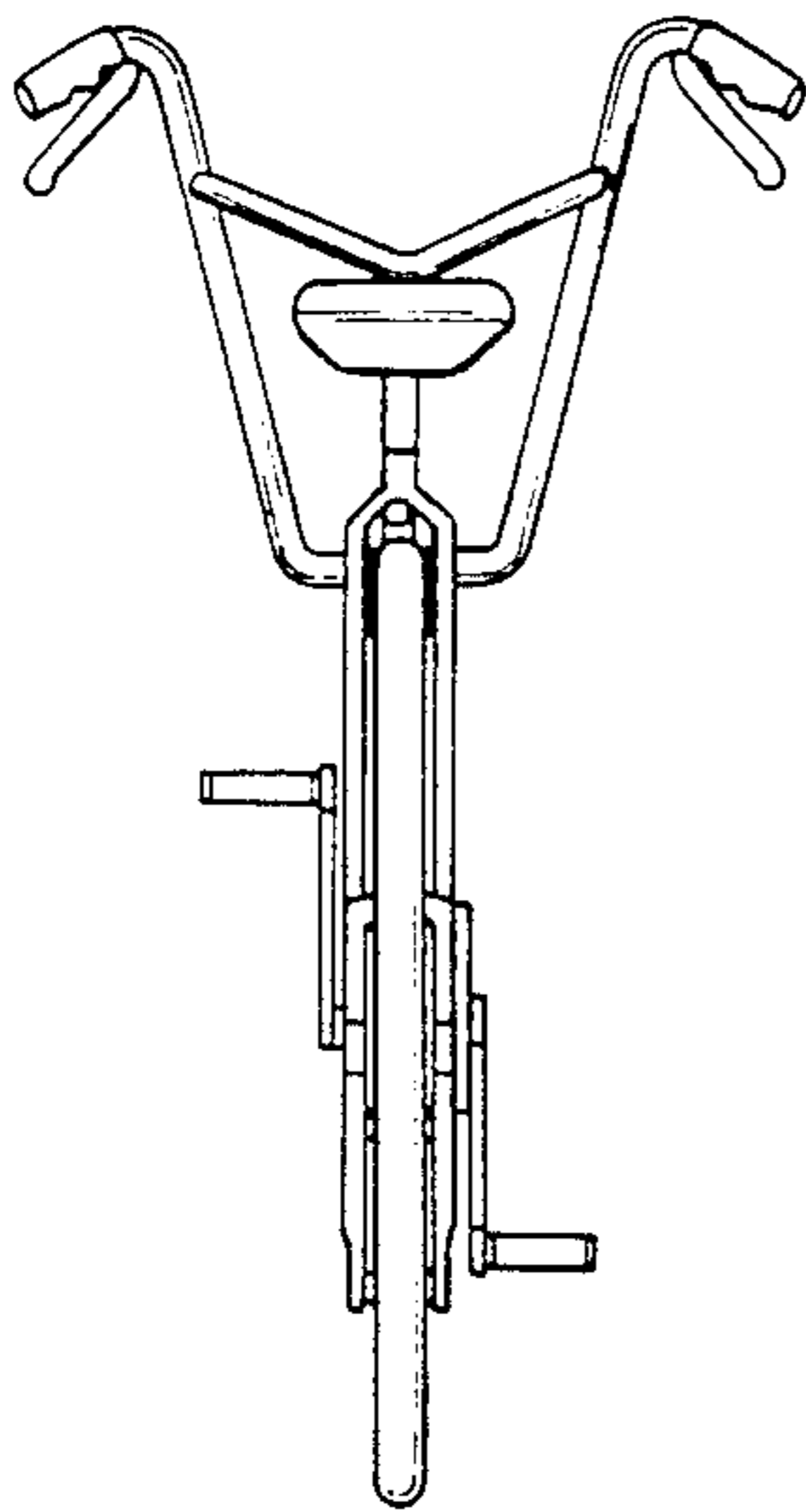


FIG. 2

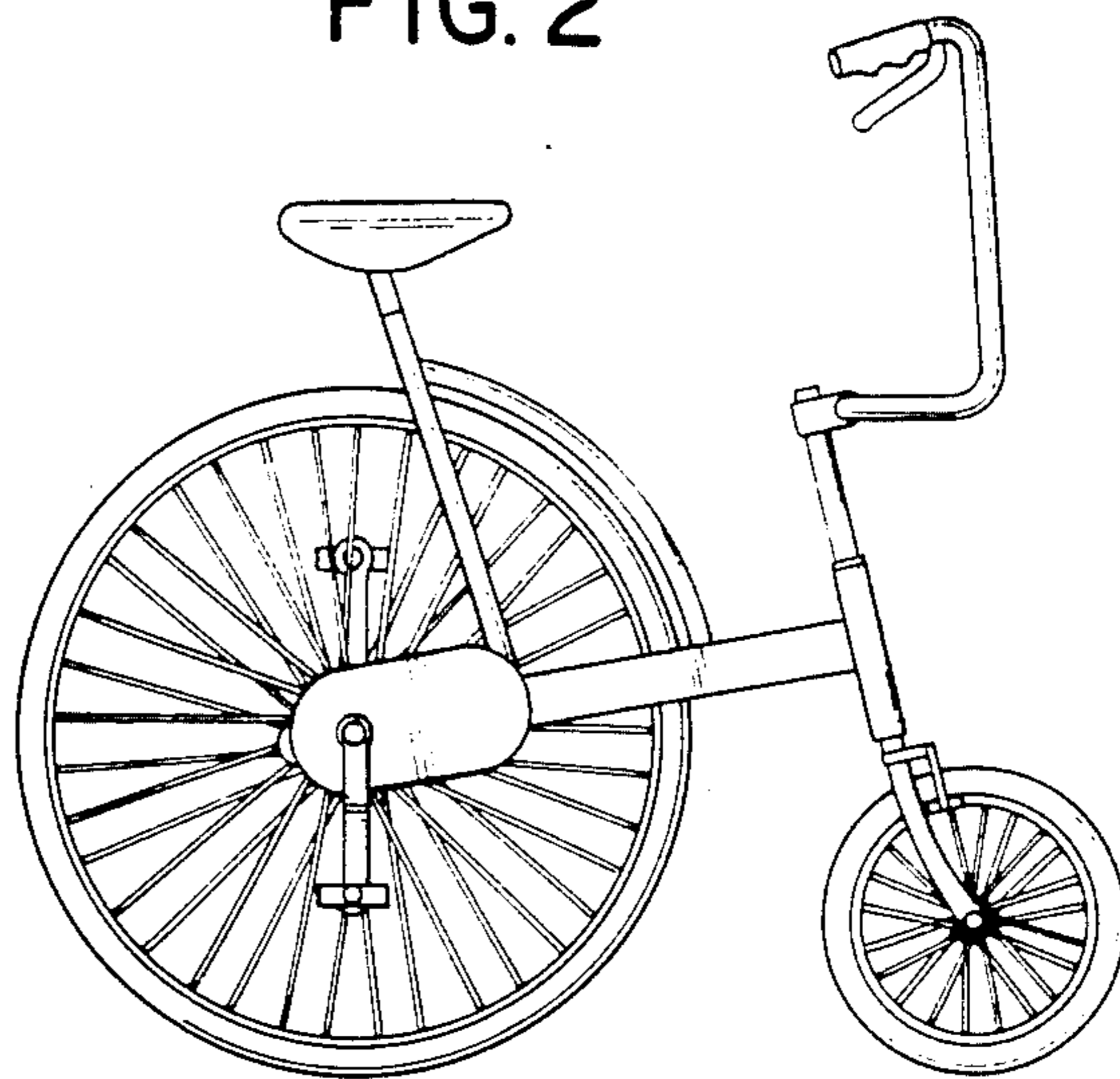


FIG. 3

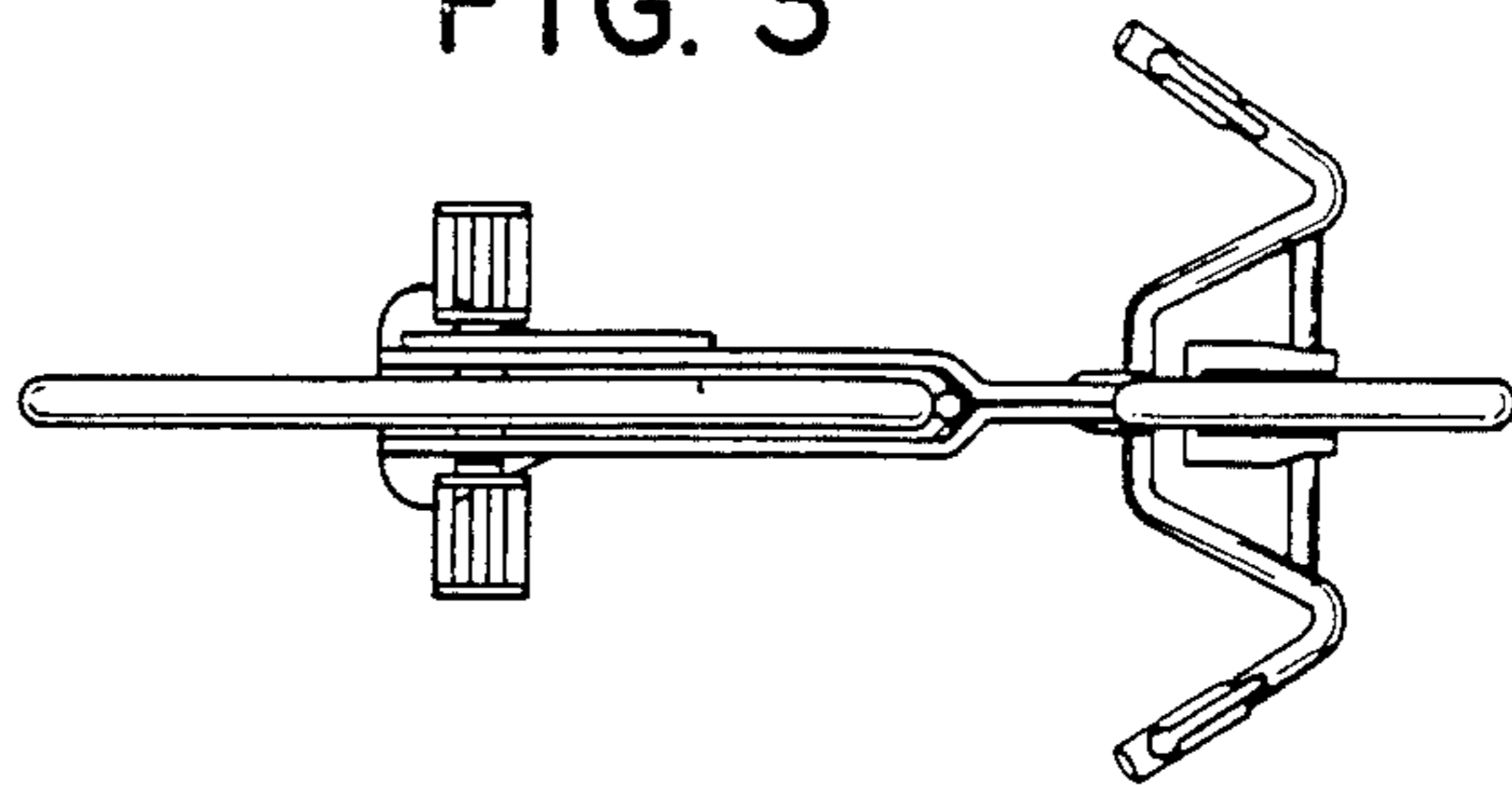


FIG. 6

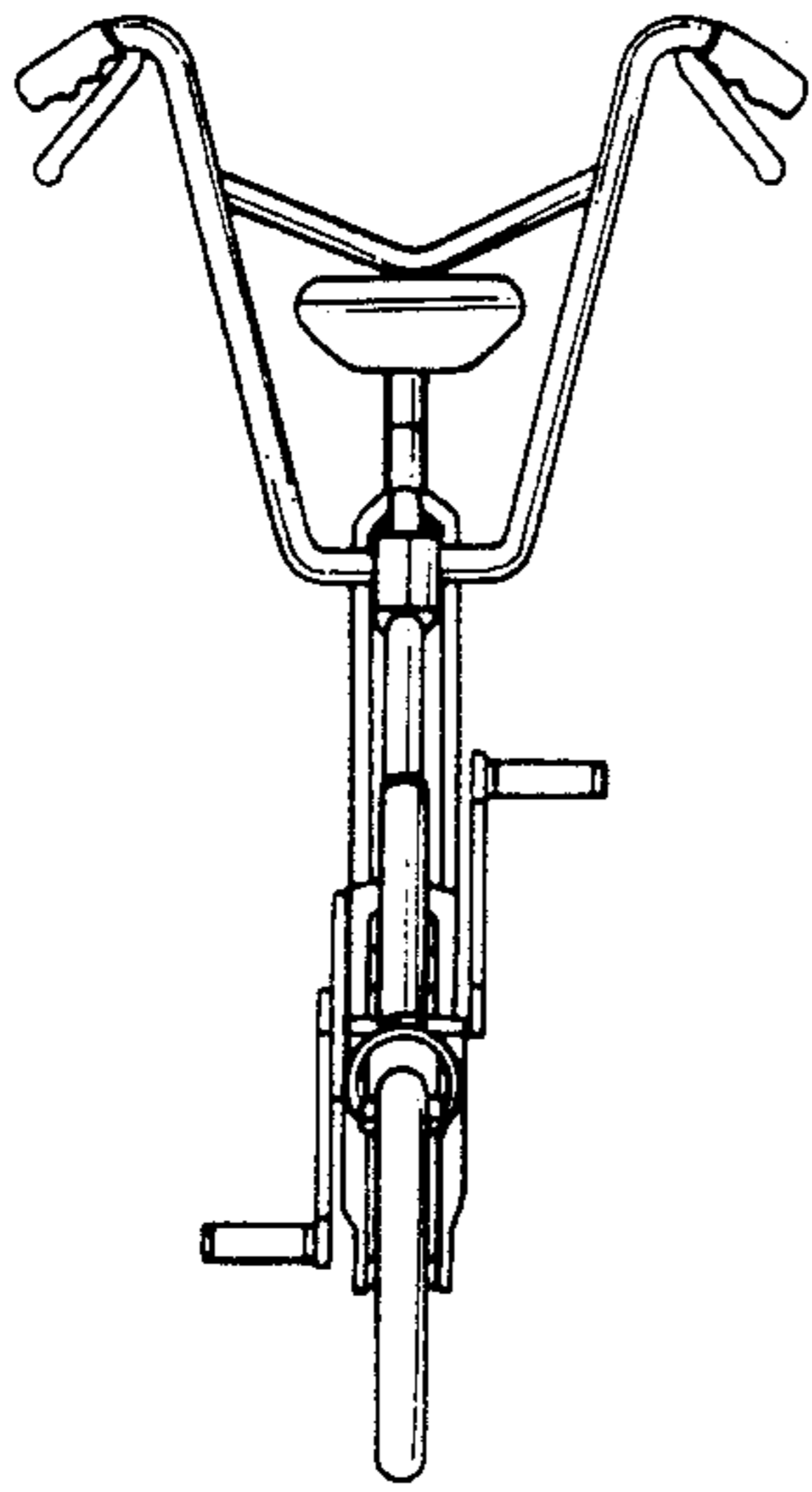


FIG. 5

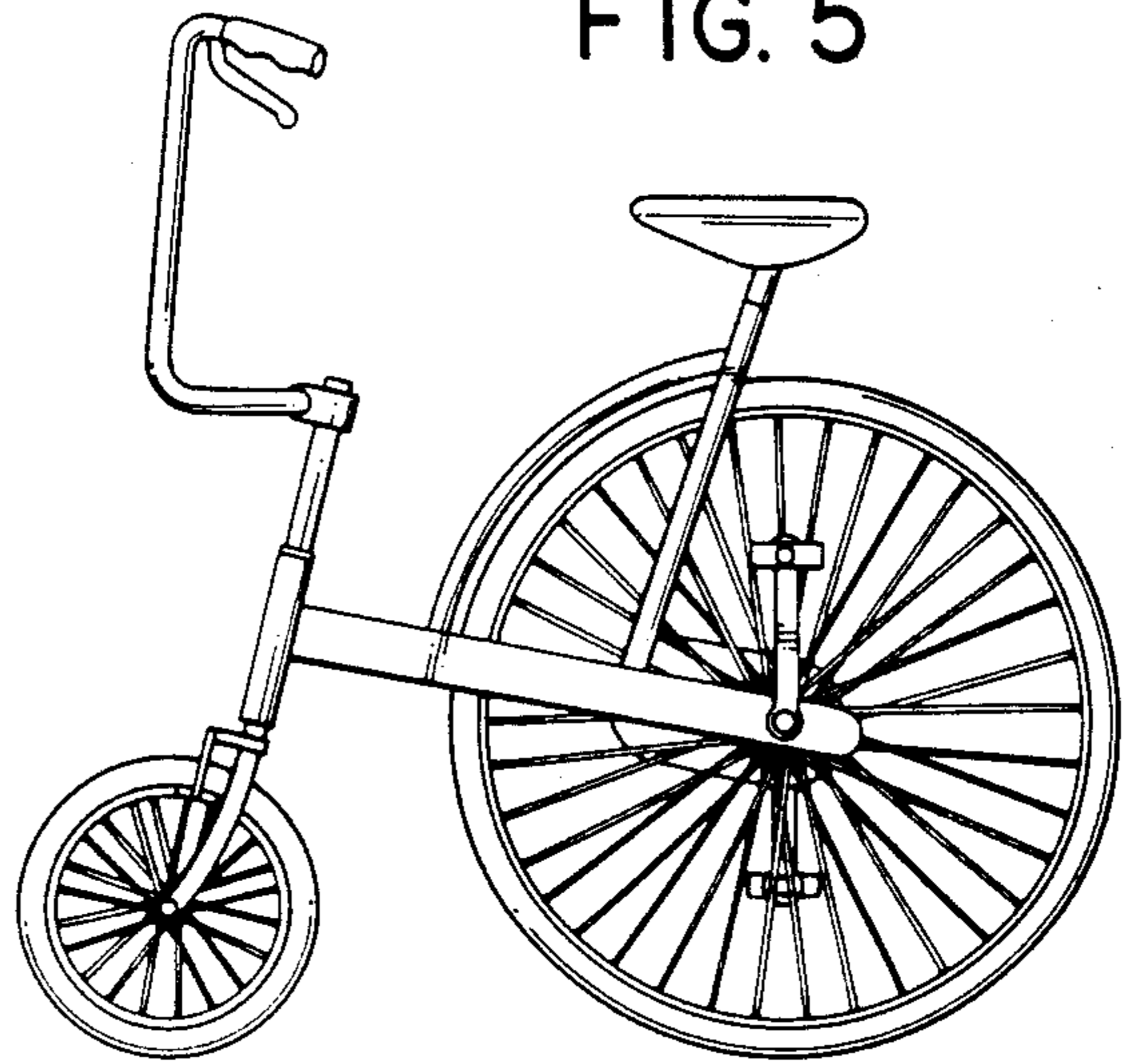


FIG. 7

