

[54] CAB-OVER-ENGINE TRUCK CAB

D. 225,624 12/1972 Hobbensiefken ..... D12/97

[75] Inventors: Wayne K. Simons; Roy L. Meryman; Larry W. Orr; Donald A. Richardson, all of Kings County, Wash.

Primary Examiner—James M. Gandy  
Attorney, Agent, or Firm—Seed and Berry

[73] Assignee: Paccar Inc., Bellevue, Wash.

[57] CLAIM

The ornamental design for a cab-over-engine truck cab, as shown and described.

[\*\*] Term: 14 Years

DESCRIPTION

[21] Appl. No.: 680,141

FIG. 1 is an isometric view of the cab-over-engine truck cab showing our new design.

[22] Filed: Dec. 10, 1984

FIG. 2 is a front elevational view thereof.

[52] U.S. Cl. .... D12/96

FIG. 3 is a left side elevational view thereof.

[58] Field of Search ..... D12/96, 97; 296/190; 180/89.12, 89.14, 89.16, 89.17, 89.18, 89.19

FIG. 4 is a right side elevational view thereof.

FIG. 5 is a rear elevational view thereof.

[56] References Cited

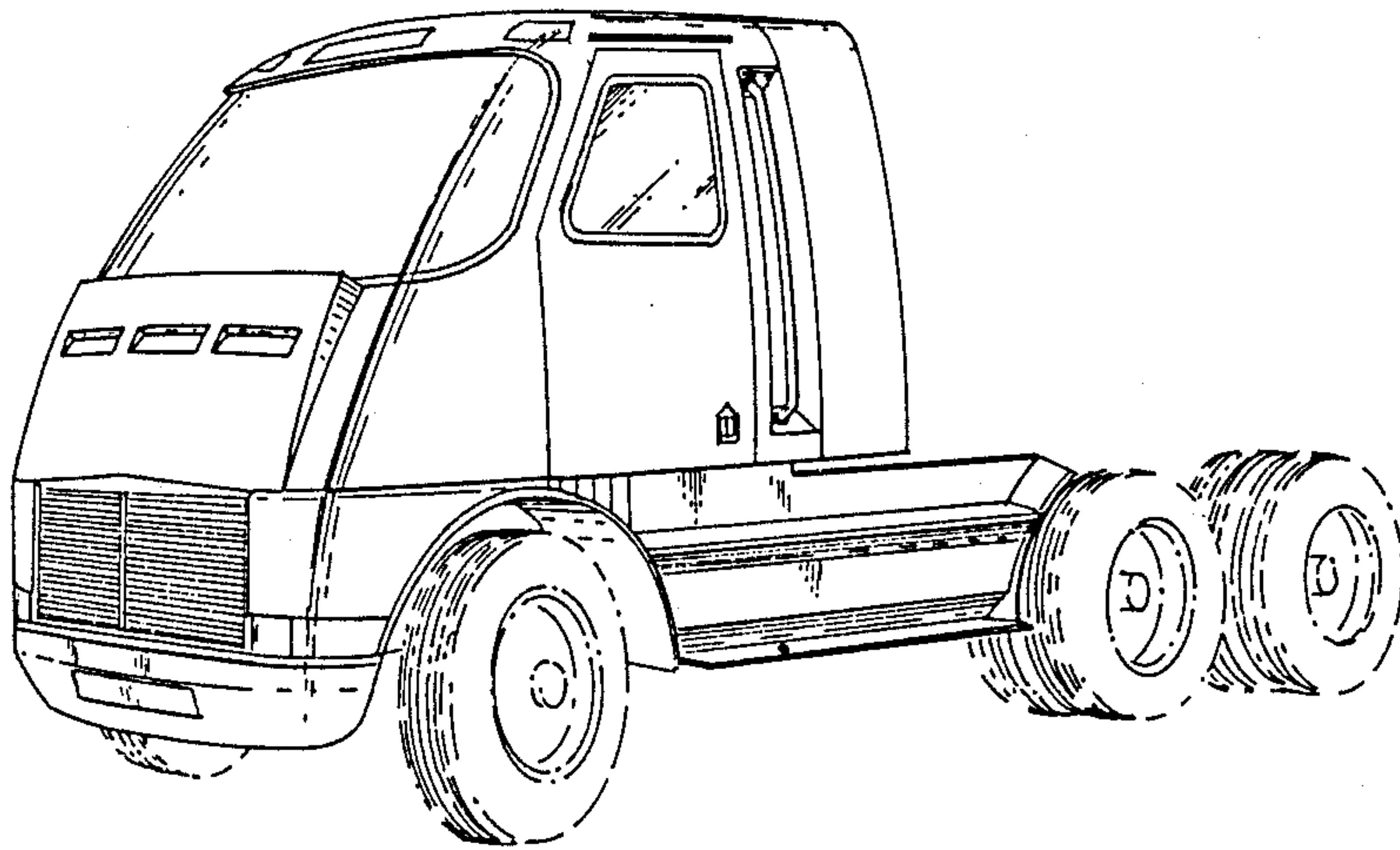
U.S. PATENT DOCUMENTS

FIG. 6 is a top plan view thereof.

FIG. 7 is a bottom plan view thereof.

D. 163,279 5/1951 Harris ..... D12/96

The broken lines in the drawing are for illustrative purposes only and form no part of the claimed design.



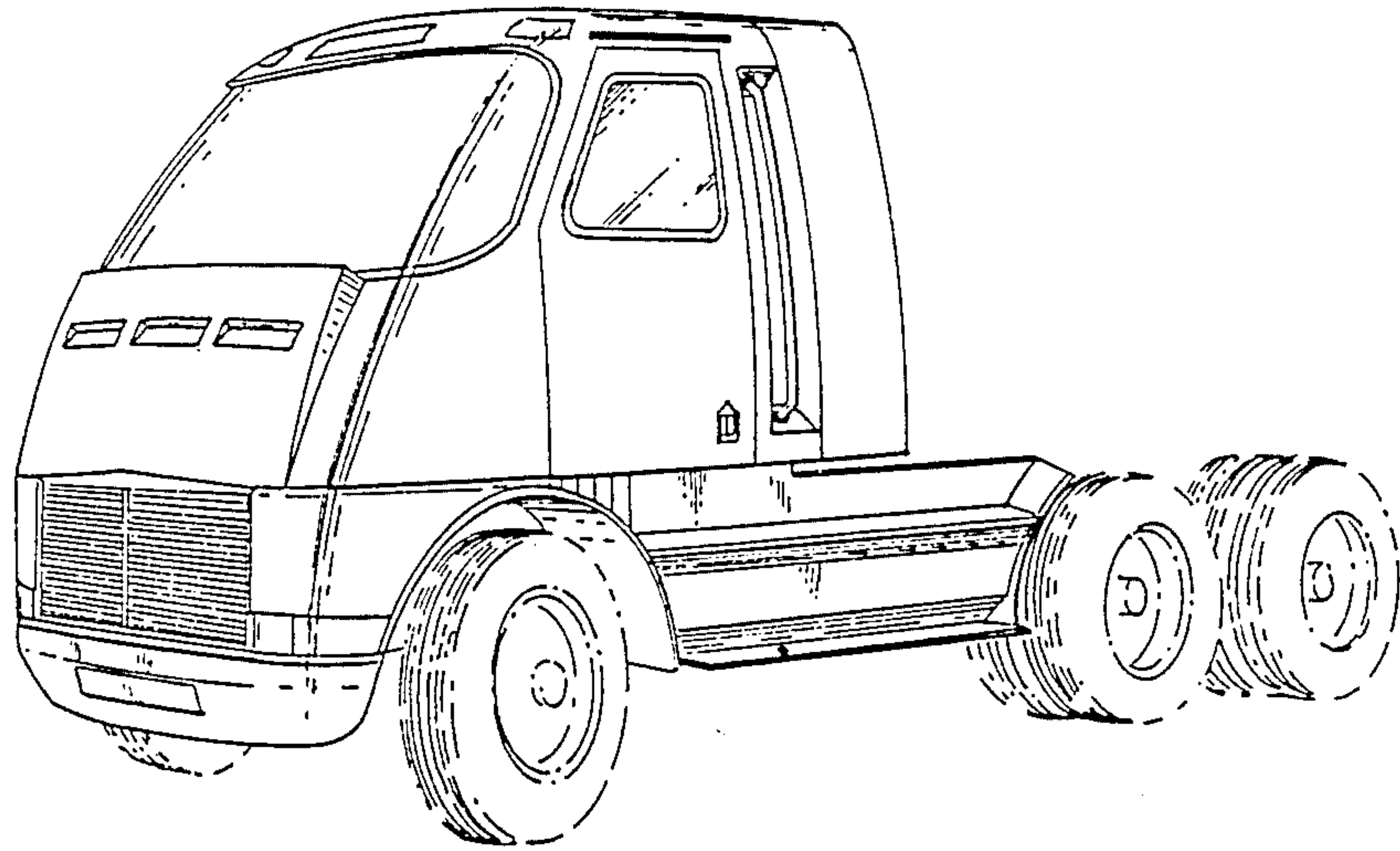


FIG. 1

FIG. 2

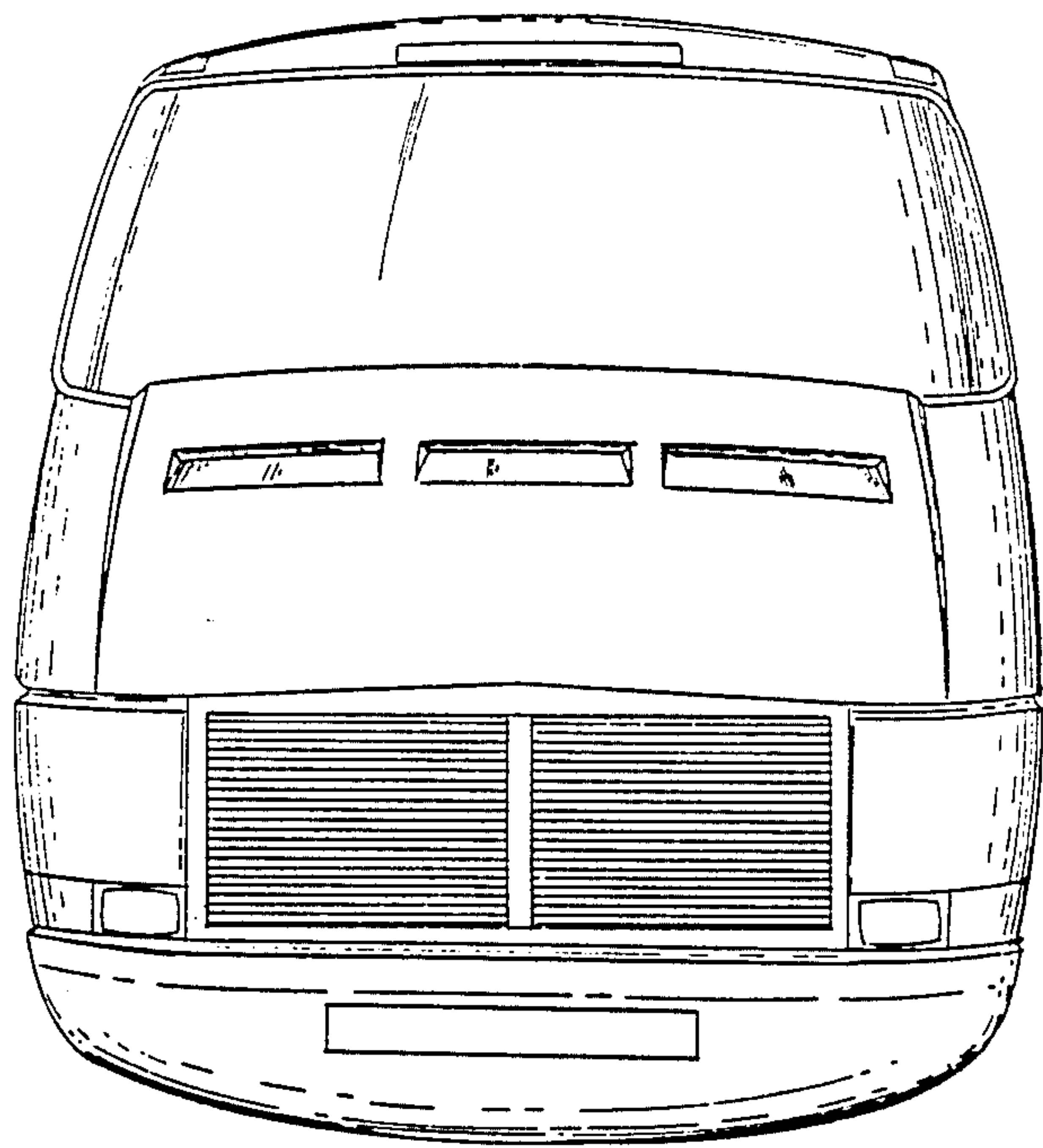


FIG. 3

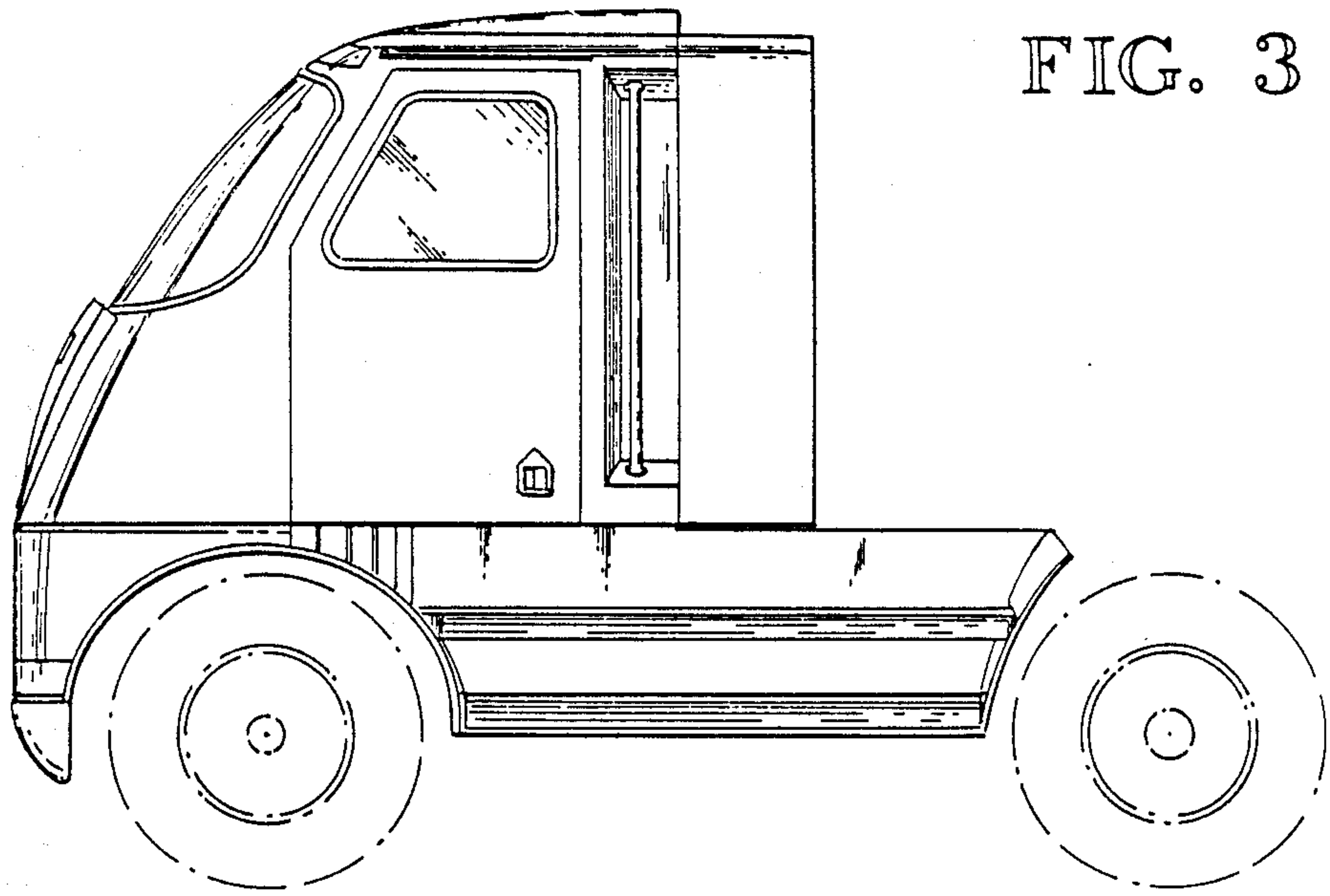
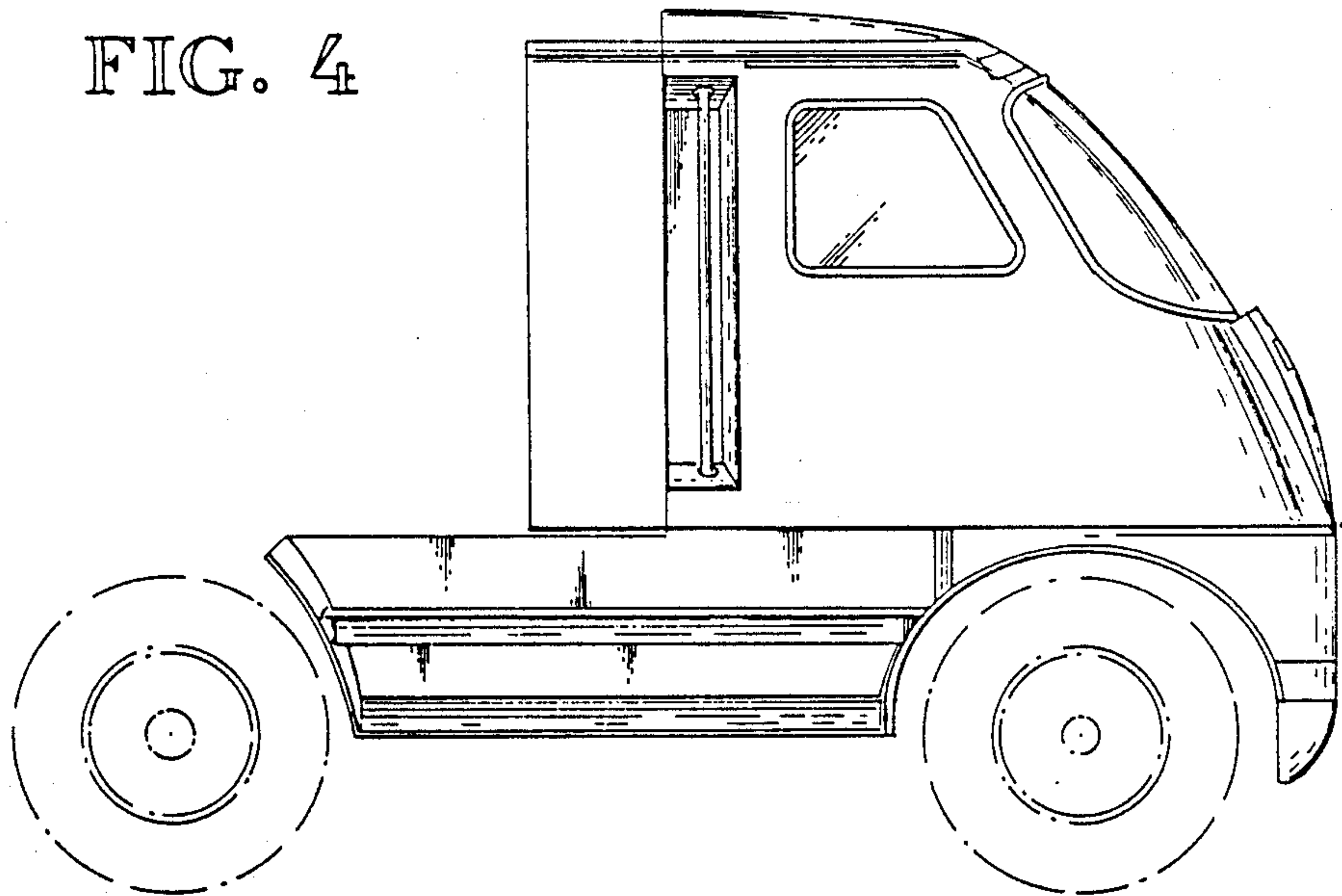


FIG. 4



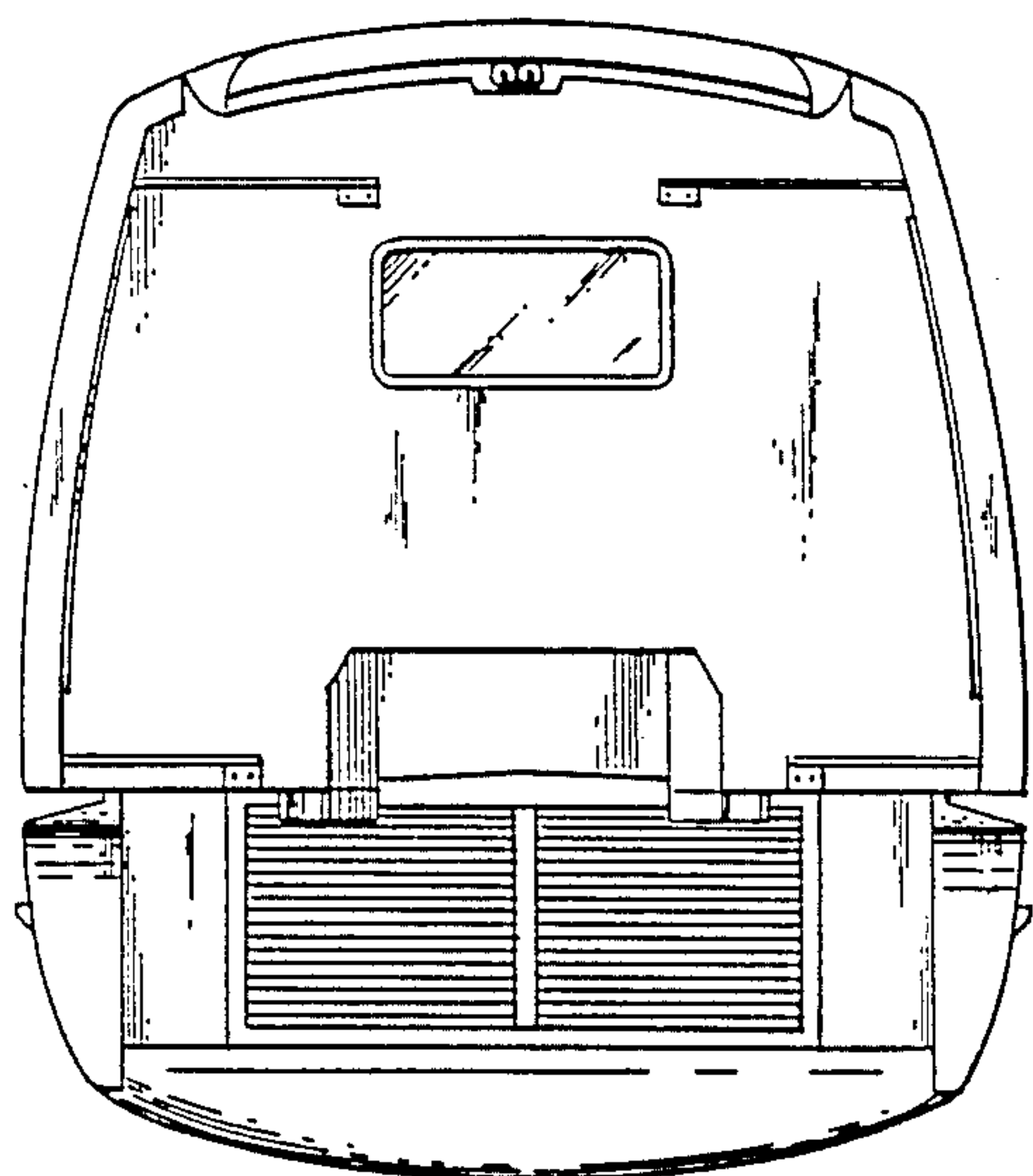


FIG. 5

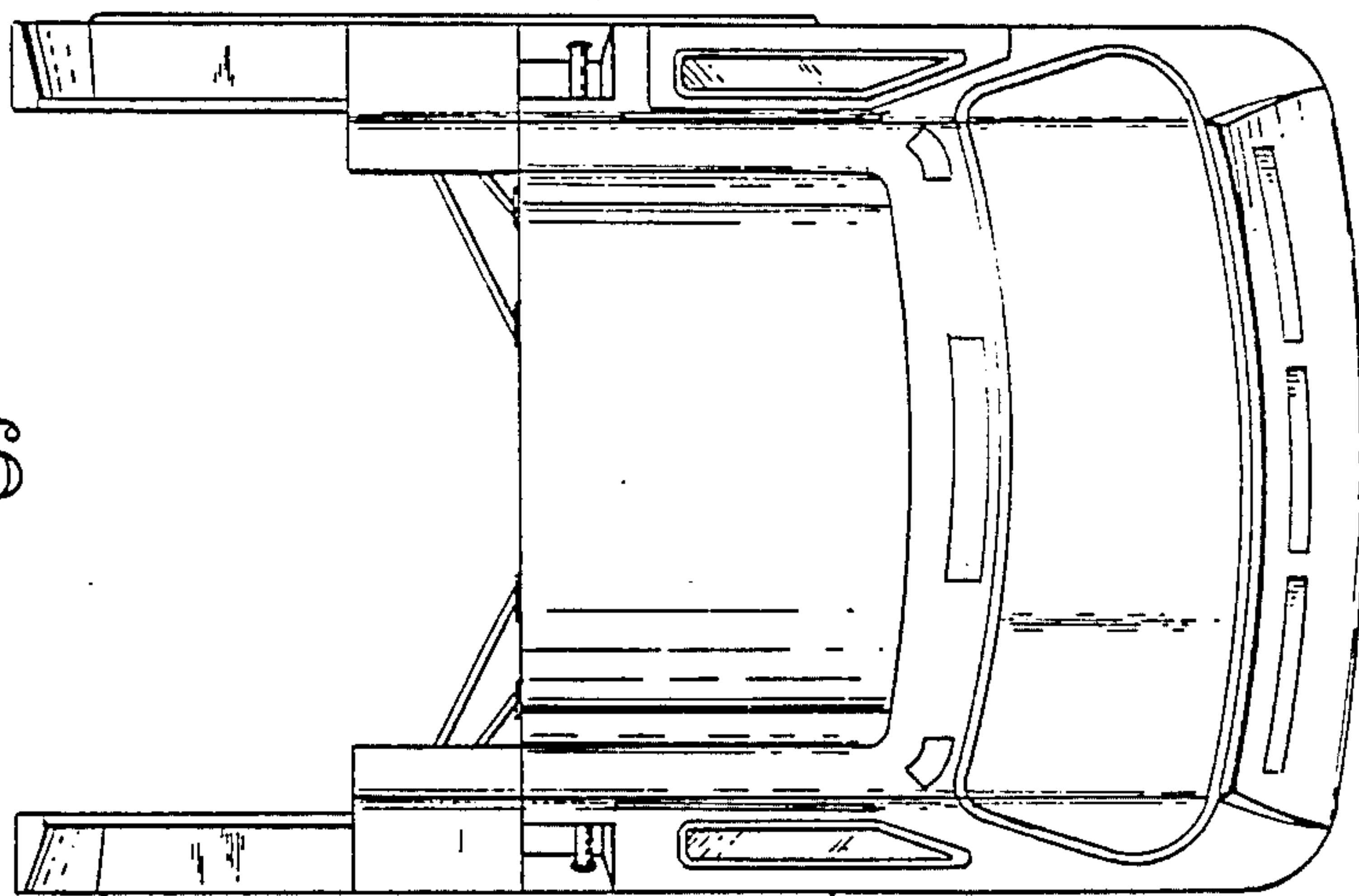


FIG. 6

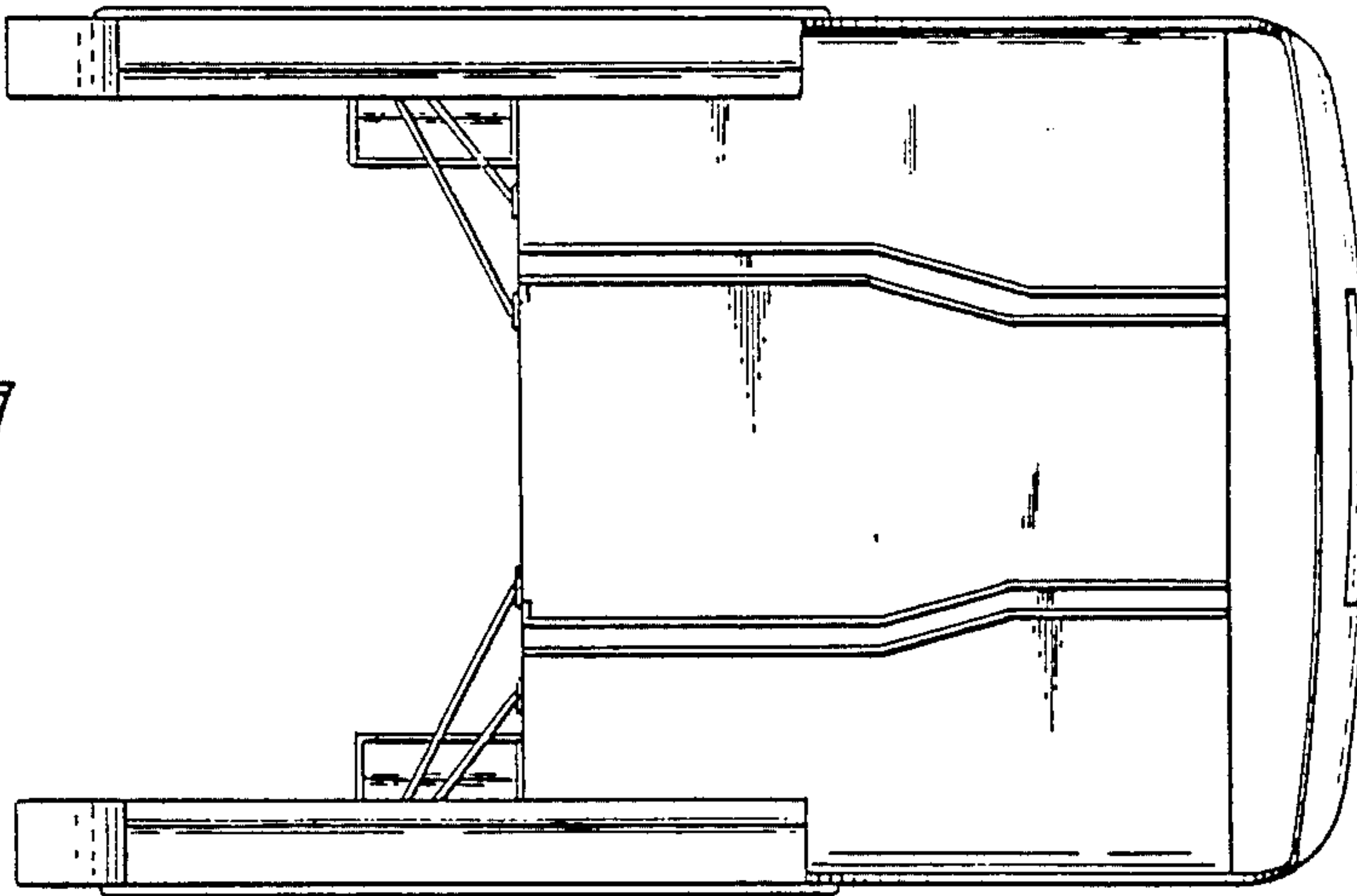


FIG. 7