

[54] PRINTED CIRCUIT BOARD STAND-OFF

[75] Inventor: Royce W. Hill, Flippin, Ark.

[73] Assignee: Micro Plastics, Inc., Flippin, Ark.

[**] Term: 14 Years

[21] Appl. No.: 710,418

[22] Filed: Mar. 11, 1985

[52] U.S. Cl. D8/354; 174/138 D

[58] Field of Search D8/349, 354; D13/24,
D13/99; 179/138 D; 24/305

[56] References Cited

U.S. PATENT DOCUMENTS

| | | | | |
|------------|---------|---------------|-------|-----------|
| D. 278,143 | 3/1985 | Hill | | D13/99 |
| 2,442,754 | 6/1948 | Beam | | 174/138 D |
| 2,936,015 | 5/1960 | Rapata | | 174/138 D |
| 3,029,486 | 4/1962 | Raymond | | 174/138 D |
| 3,195,266 | 7/1965 | Omanian | | 174/138 D |
| 3,764,729 | 10/1973 | Kowalewski | | 174/138 D |
| 4,200,000 | 4/1980 | McGeorge | | 174/138 D |
| 4,502,193 | 3/1985 | Harmon et al. | | 174/138 D |
| 4,627,760 | 12/1986 | Yagi et al. | | 174/138 D |

FOREIGN PATENT DOCUMENTS

| | | | | |
|---------|--------|----------------------|-------|-----------|
| 2024211 | 1/1972 | Fed. Rep. of Germany | | 24/305 |
| 2457228 | 6/1976 | Fed. Rep. of Germany | ... | 174/138 D |
| 1465708 | 1/1967 | France | | 24/305 |
| 1271400 | 4/1972 | United Kingdom | | 174/138 D |

OTHER PUBLICATIONS

Richco Plastic Co. Catalog, at p. 21: Circuit Board Support Part CBS-3N.

Illinois Tool Works, ITW Fastex Folder ©1983 "Plastic Rivet" ®, Copy Group 290.

Primary Examiner—Wallace R. Burke

Assistant Examiner—Horace B. Fay

Attorney, Agent, or Firm—Stephen D. Carver

[57] CLAIM

The ornamental design for a printed circuit board stand-off, as shown and described.

DESCRIPTION

FIG. 1 is an isometric view of a printed circuit board stand-off showing my new design;

FIGS. 2 and 3 are respectively front and rear elevational views thereof;

FIGS. 4 and 5 are respectively top and bottom plan views thereof;

FIGS. 6 and 7 are respectively an elevational view of one side thereof, and of the side opposite to it;

FIG. 8 is a sectional view thereof taken along line 9—9 of FIG. 8;

FIG. 9 is a sectional view thereof taken along line 9—9 of FIG. 3;

FIG. 10 is a sectional view thereof taken along line 10—10 of FIG. 1; and

FIG. 11 is a sectional view thereof taken along line 10—10 of FIG. 1.

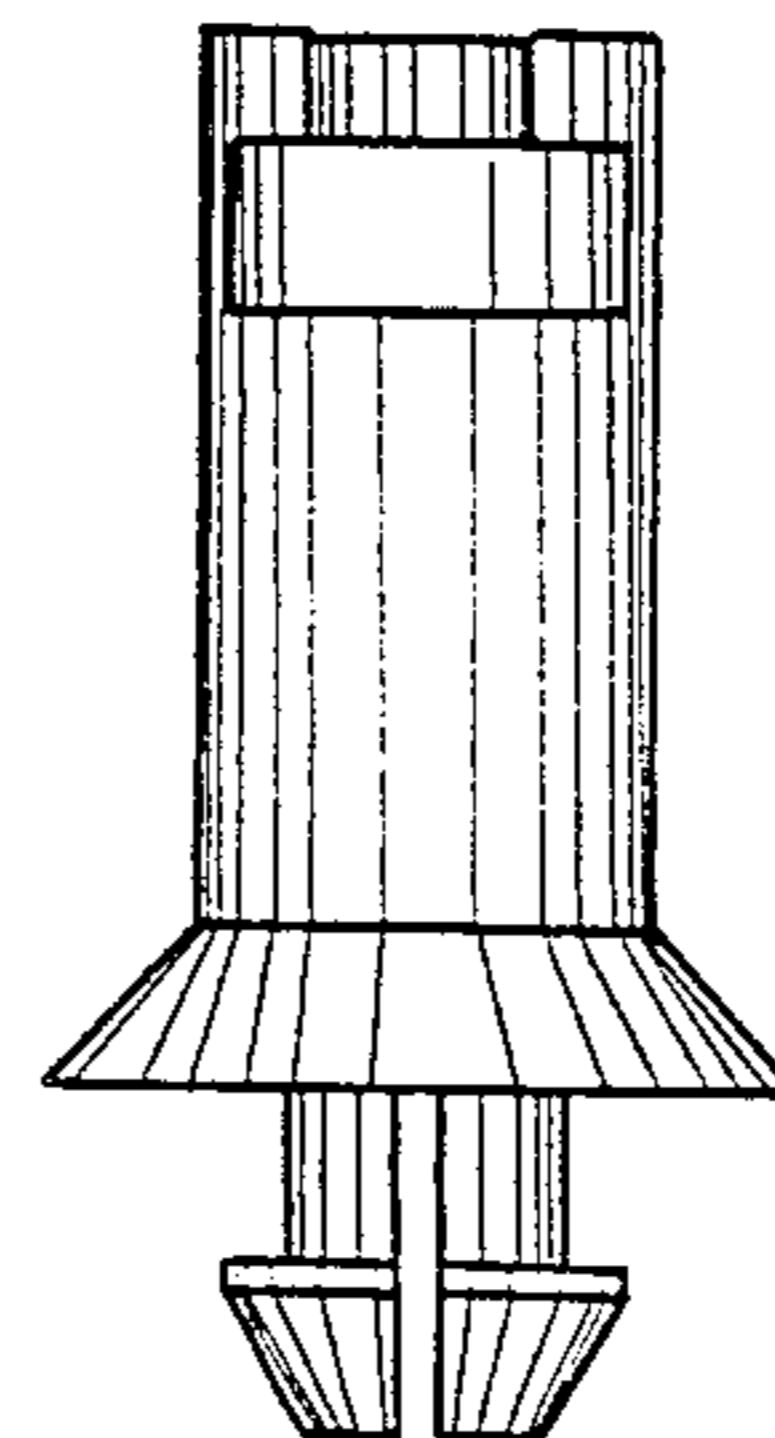
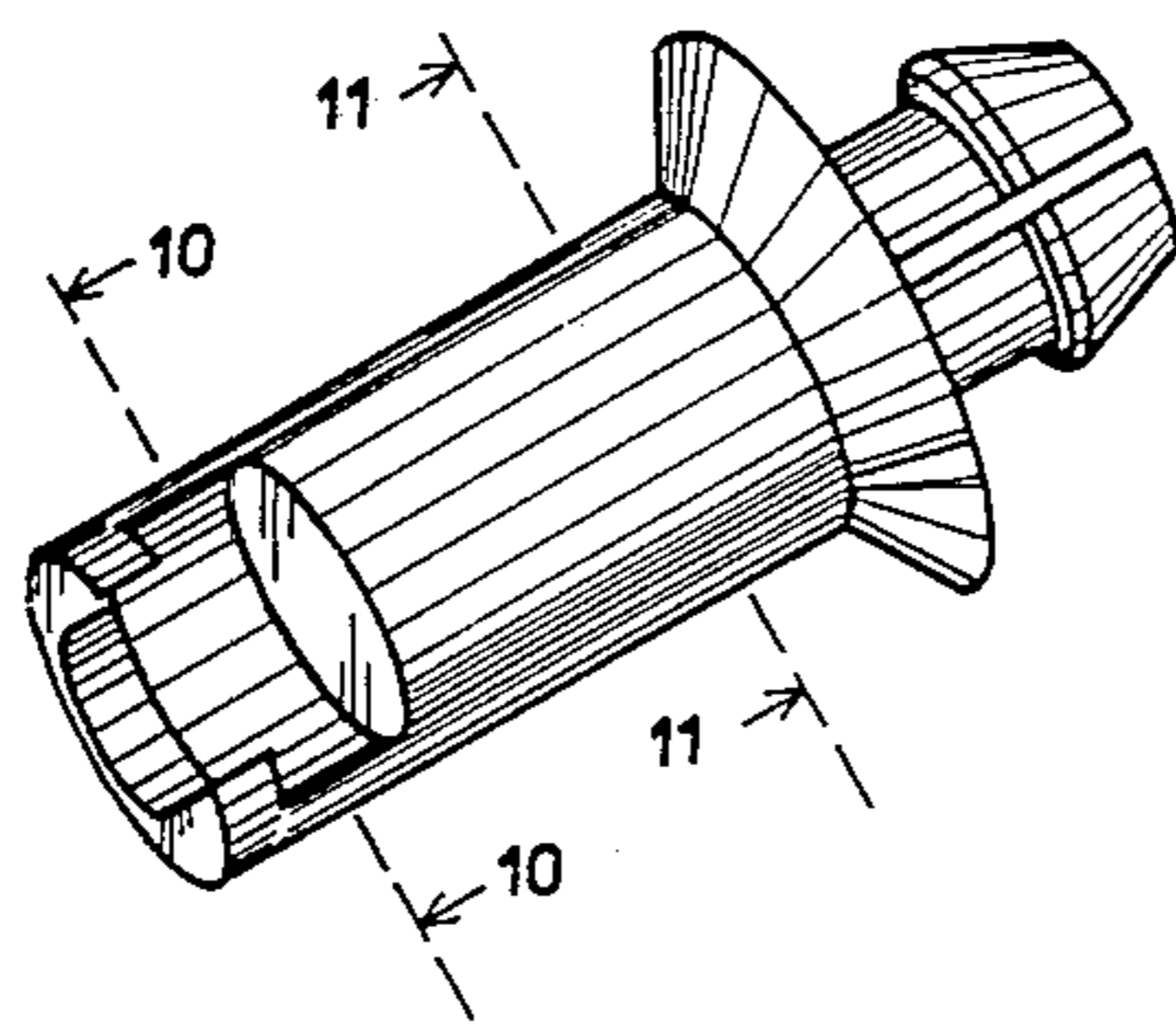


FIG. 1

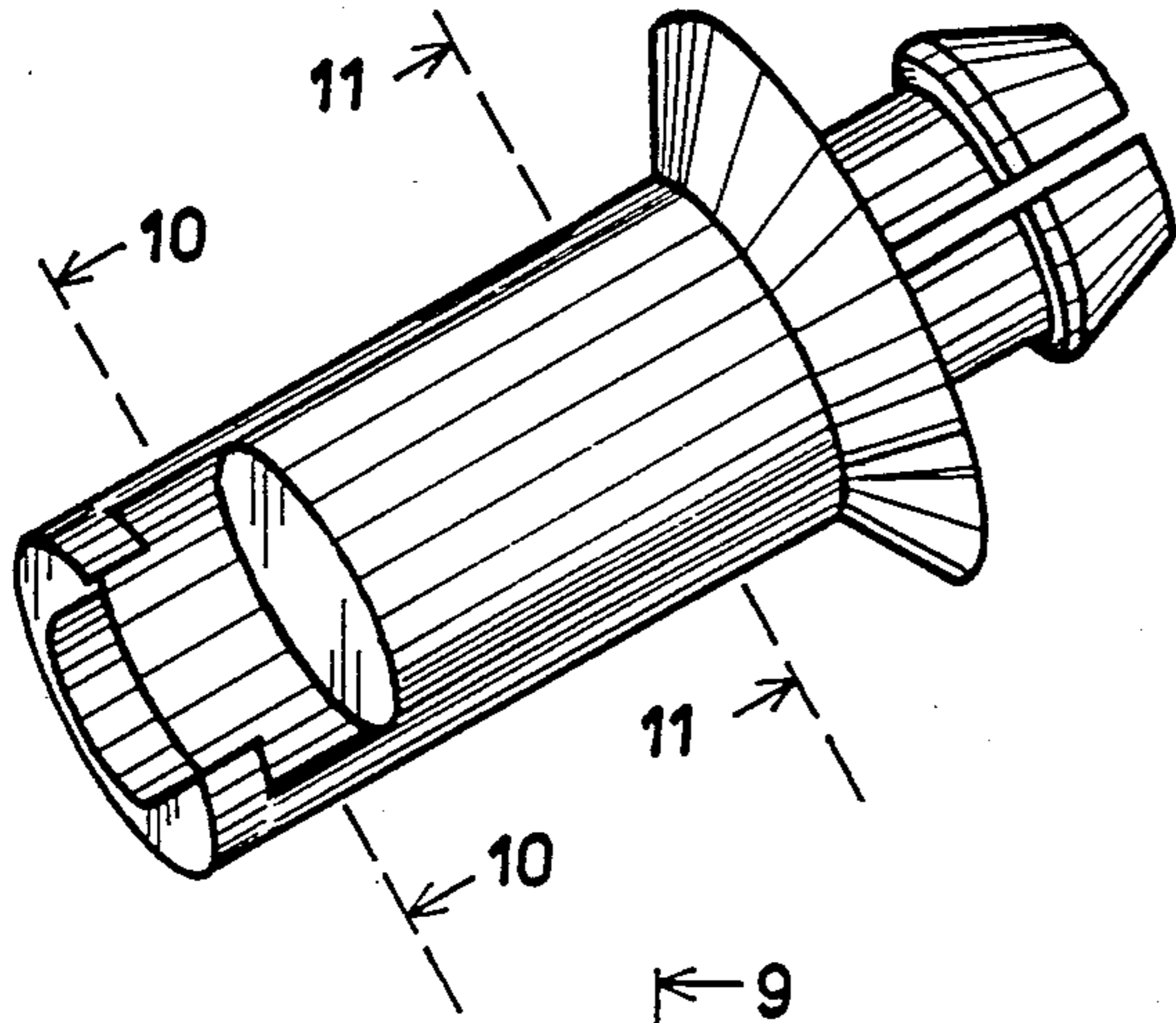


FIG. 3

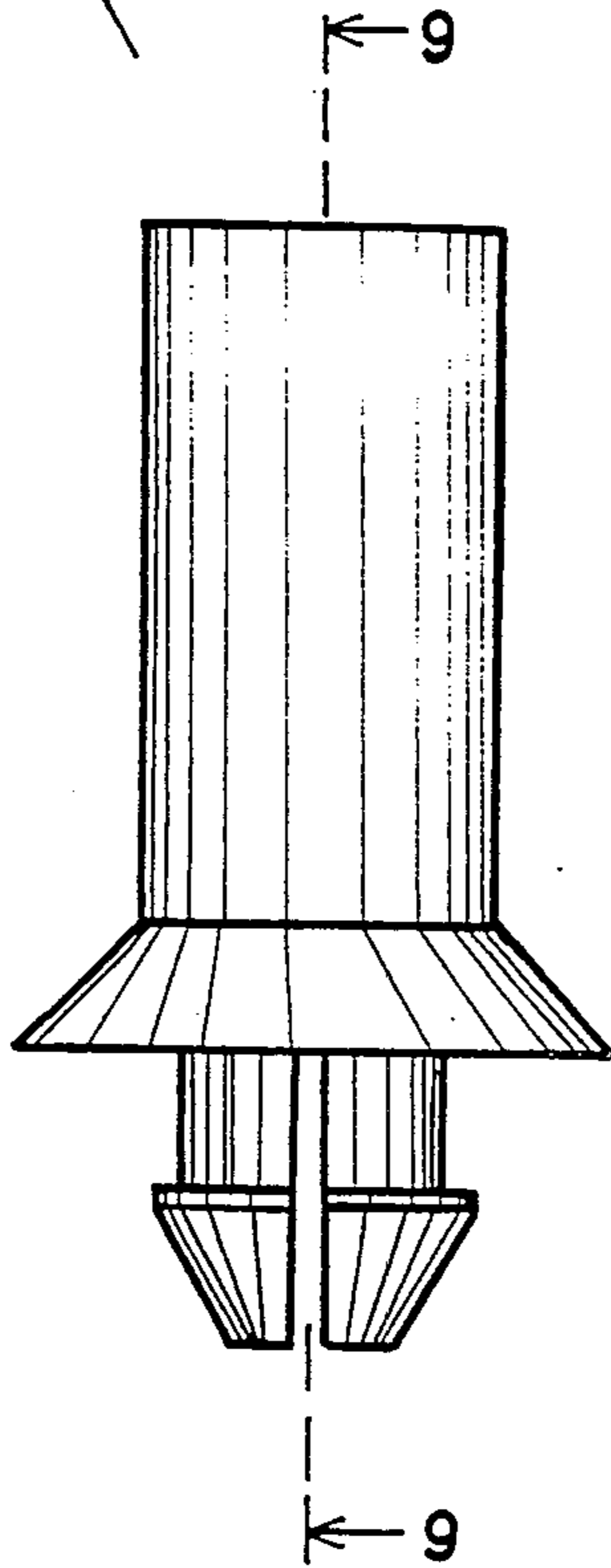


FIG. 2

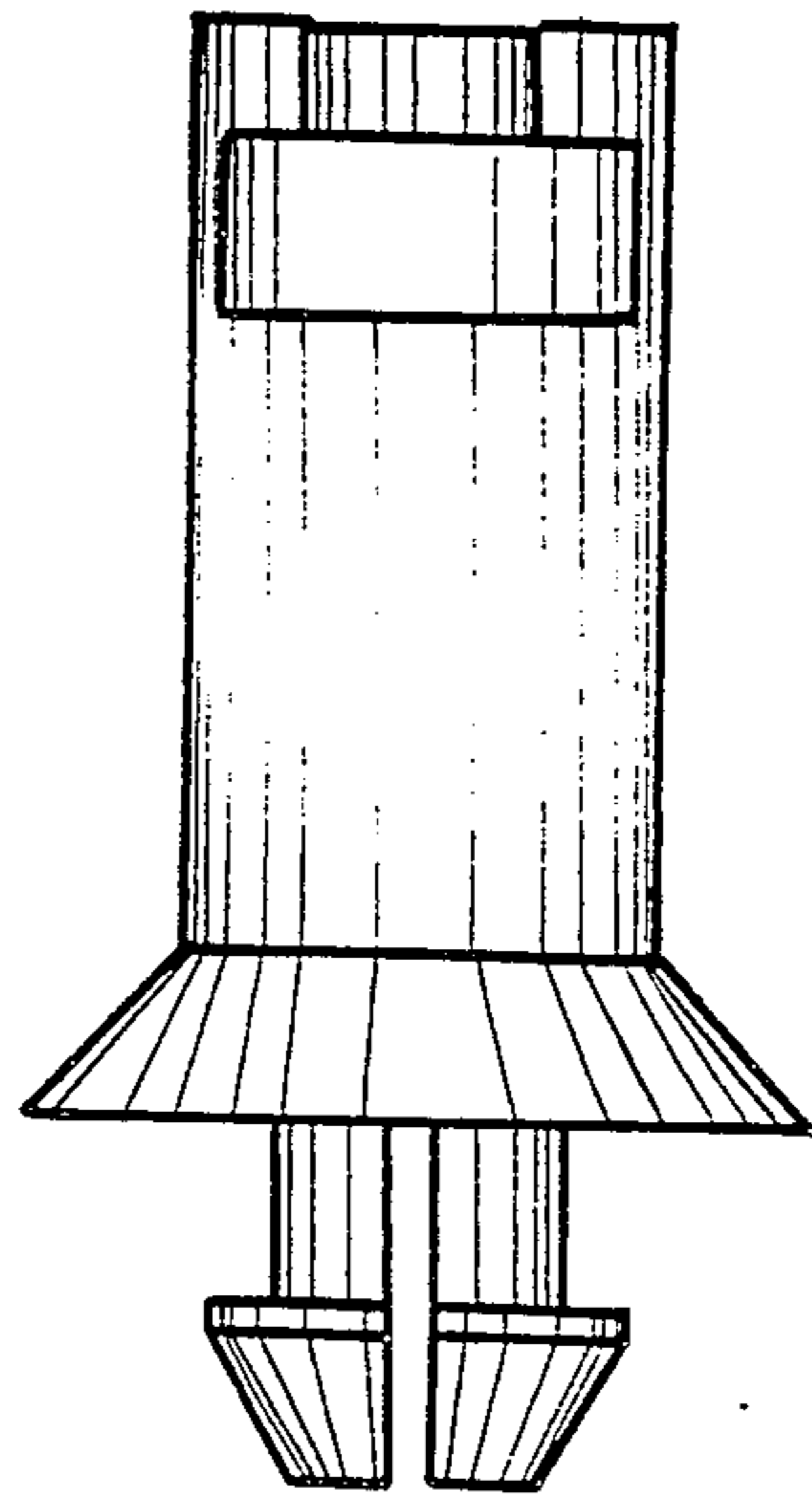


FIG. 4

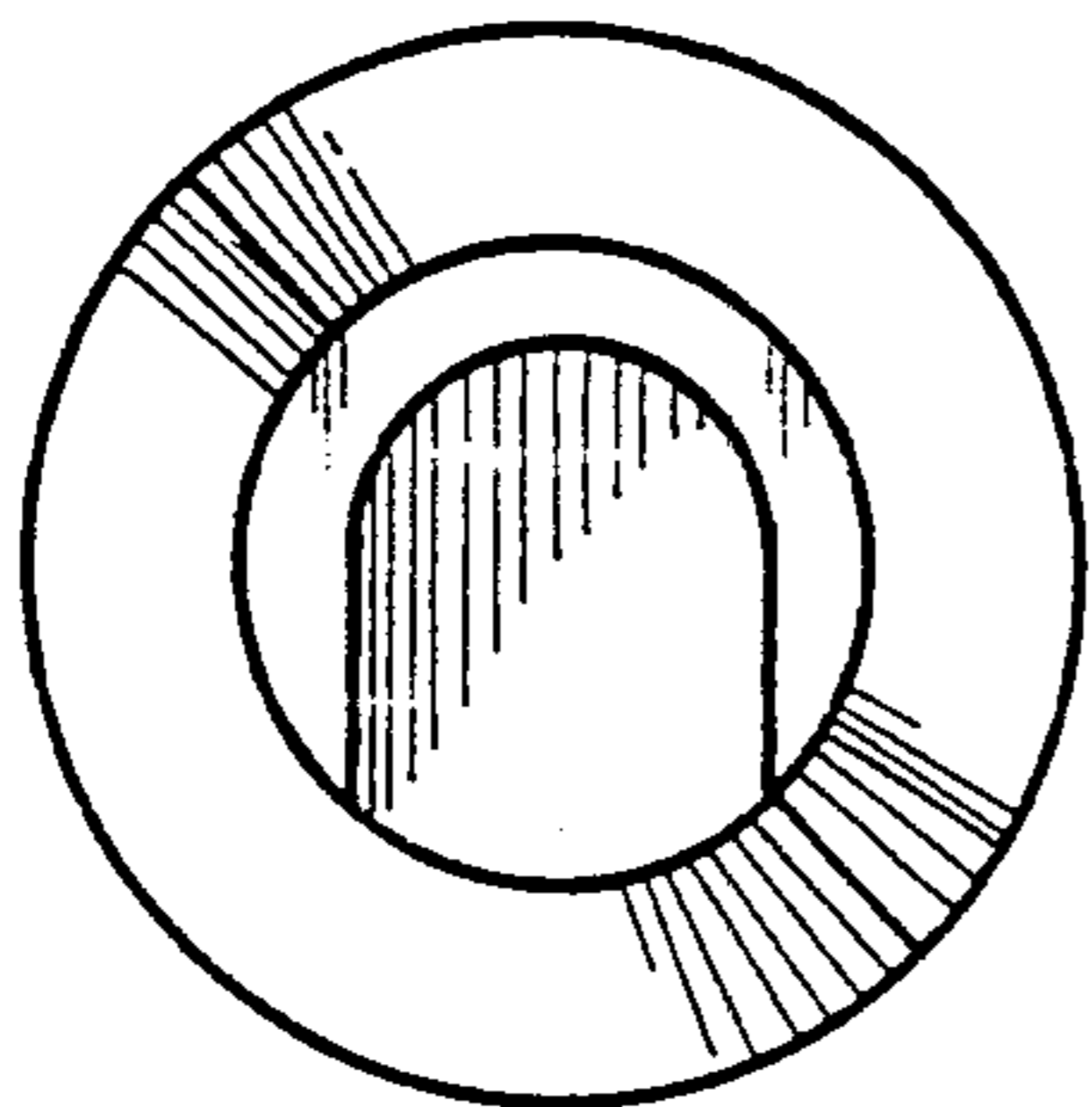


FIG. 5

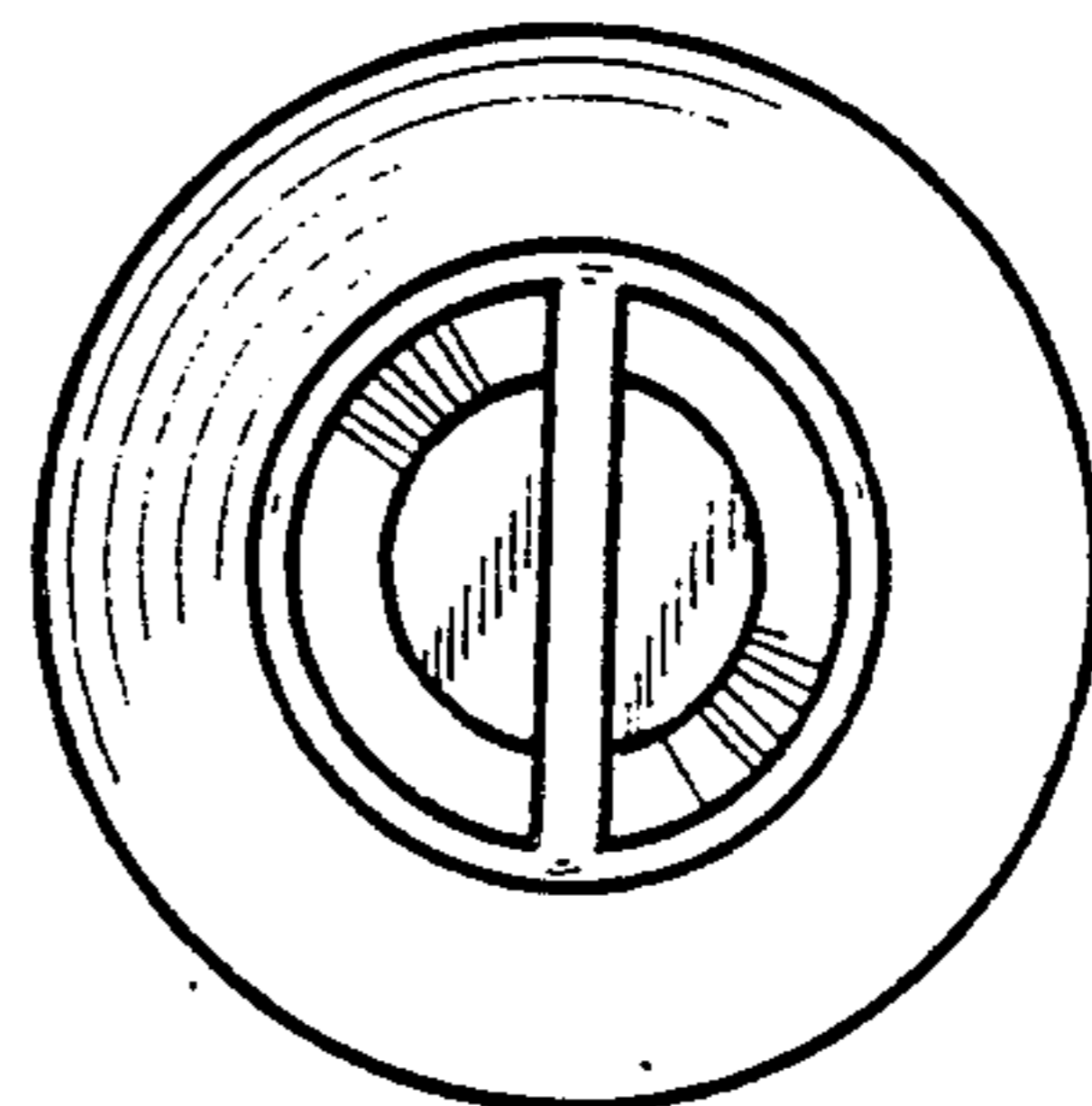


FIG. 6

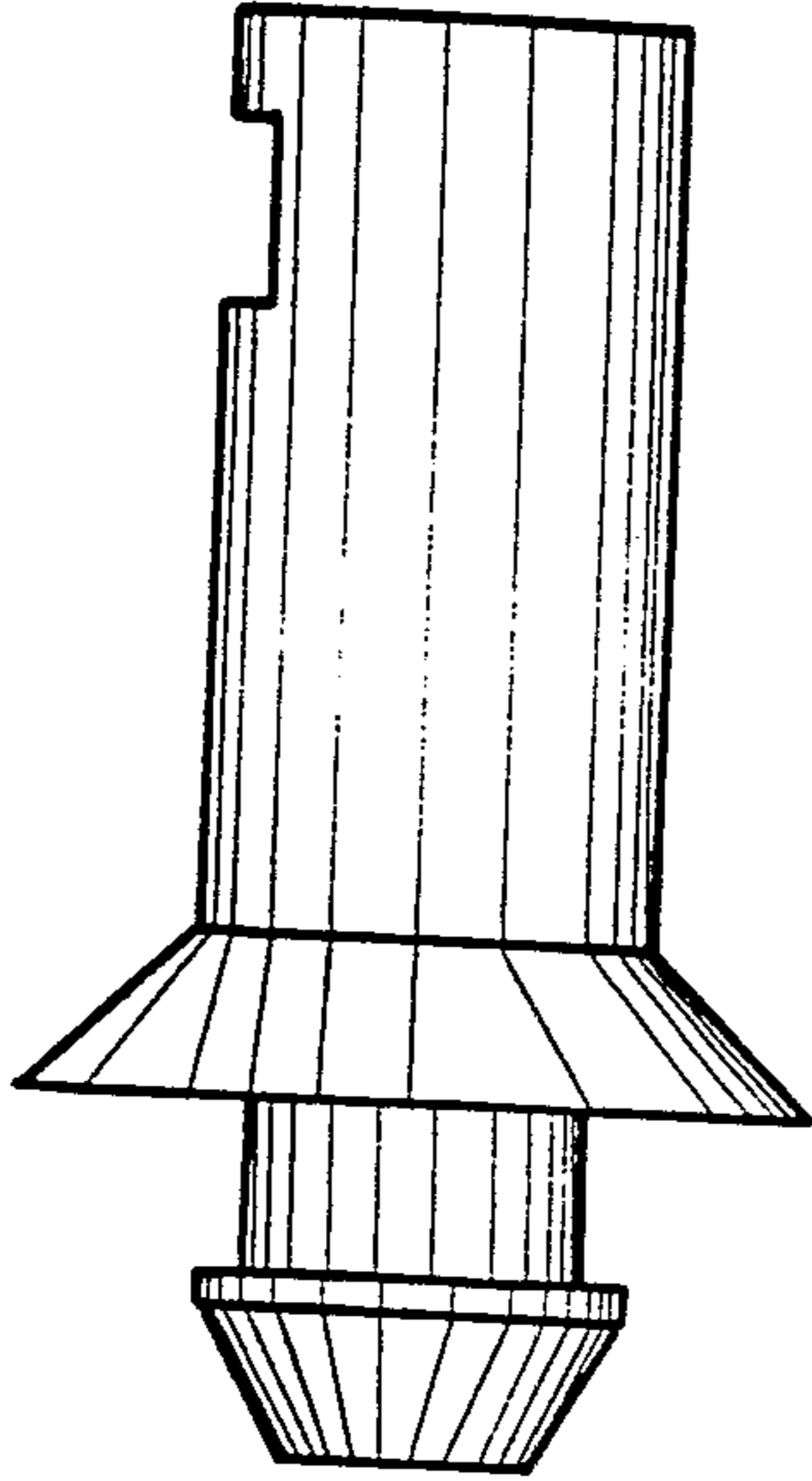


FIG. 7

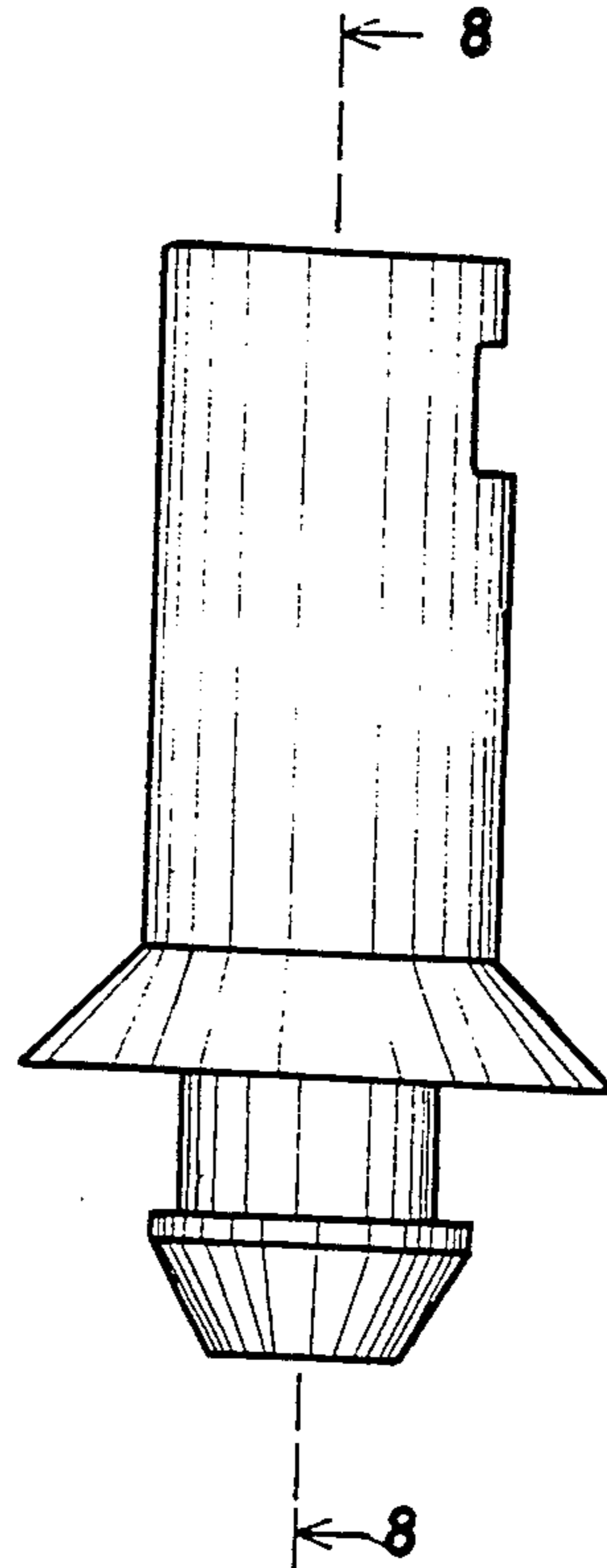


FIG. 8

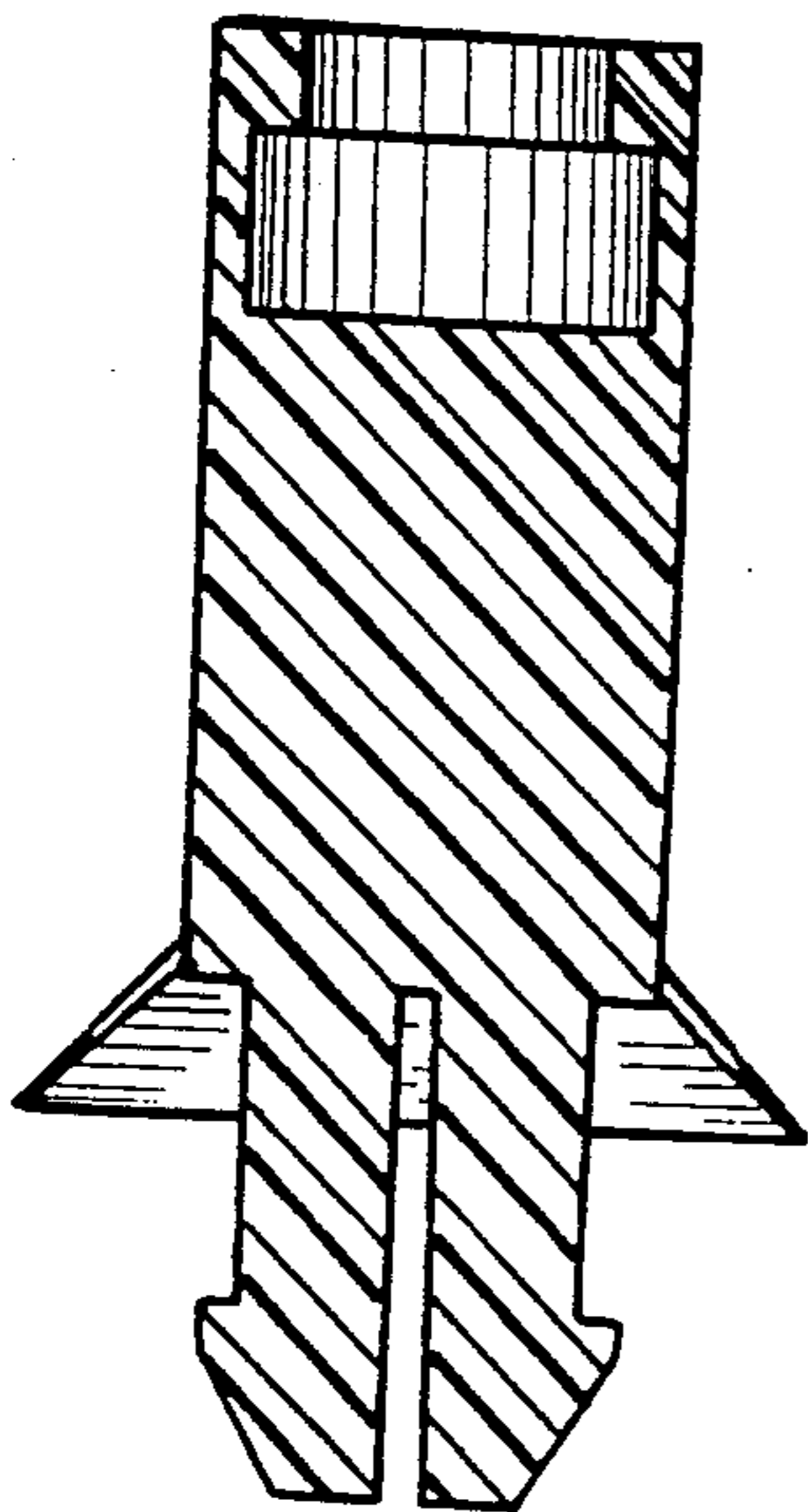


FIG. 9

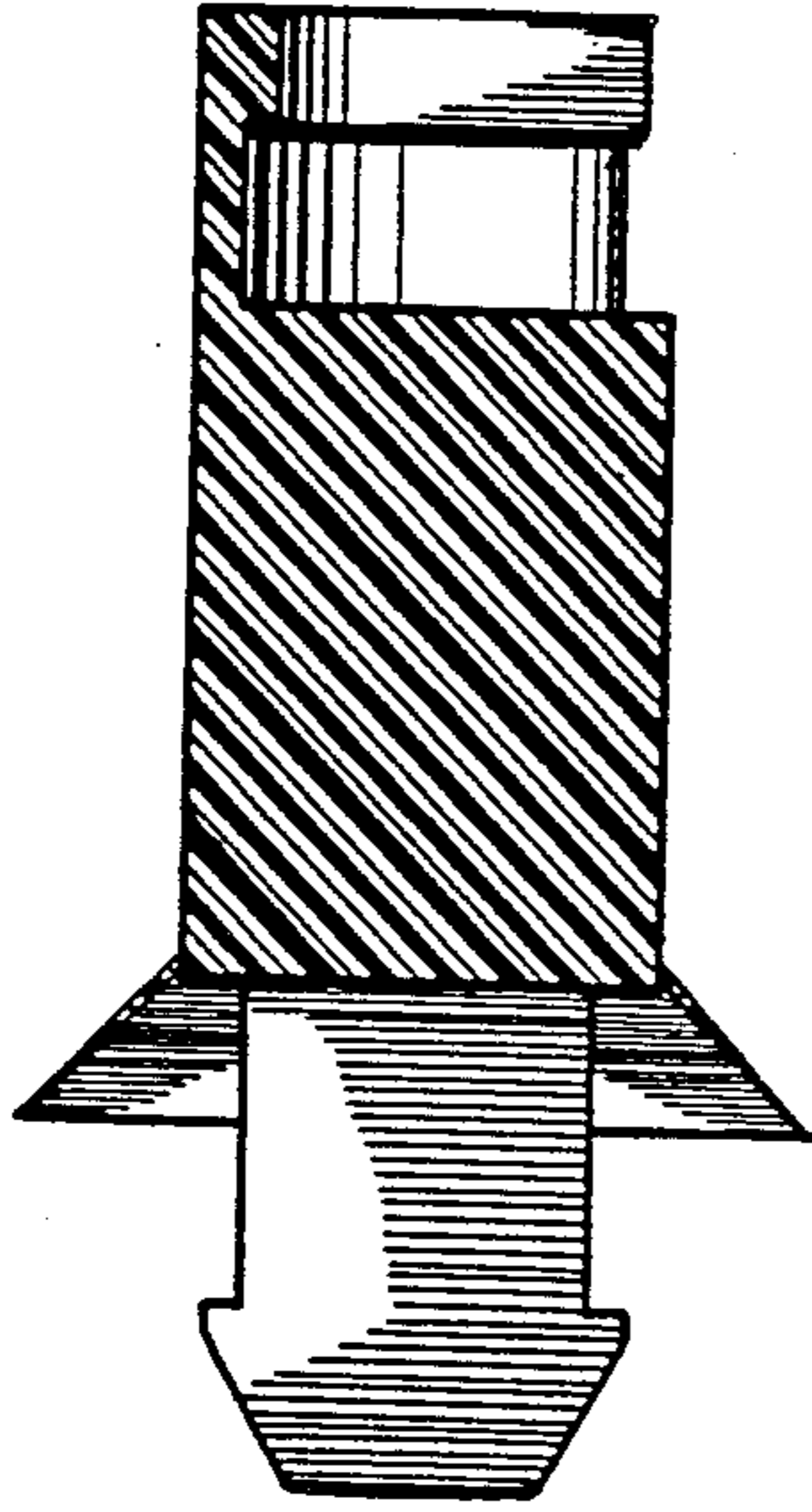


FIG. 10

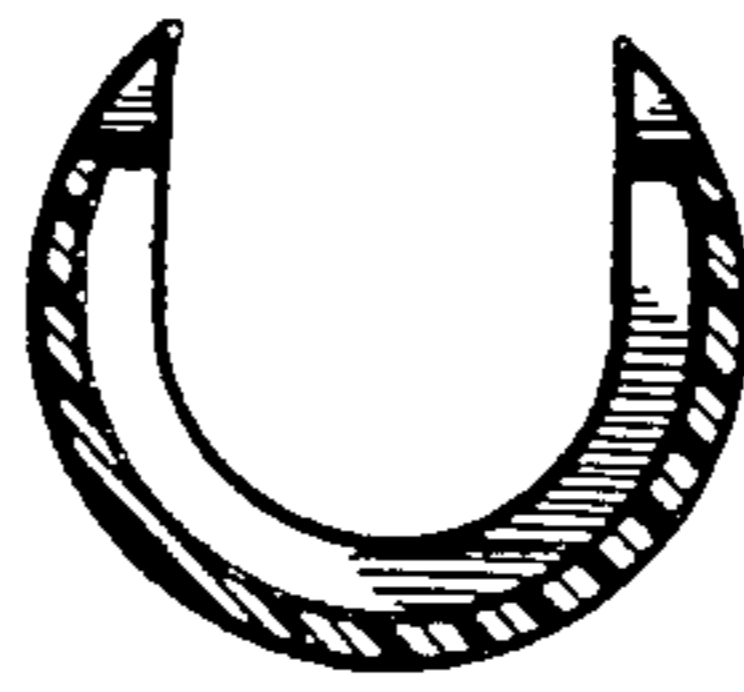


FIG. 11

