

[54] DOUBLE BOILER COOKING UTENSIL

[75] Inventors: Robert Wallace, Bryanston; Dragan Miskowic, Florida, both of South Africa

[73] Assignee: Danro Engineering (Proprietary) Limited, Maraisburg, South Africa

[**] Term: 14 Years

[21] Appl. No.: 575,067

[22] Filed: Jan. 30, 1984

[30] Foreign Application Priority Data

Aug. 4, 1983 [ZA] South Africa 83/0666

[52] U.S. Cl. D7/360

[58] Field of Search D7/360, 354, 356, 393, D7/399; 219/429, 430, 432; 220/426, 428

[56] References Cited

U.S. PATENT DOCUMENTS

- D. 160,070 9/1950 Carr D7/360
- D. 189,983 3/1961 Krause D7/393
- D. 207,591 5/1967 Aubecq D7/360
- 1,087,595 2/1914 Kuhn 219/432
- 1,994,268 3/1935 Bartels D7/360 X
- 3,508,485 4/1970 Munsey 219/432 X

- 3,539,075 11/1970 Bautista 220/428 X
- 4,010,736 3/1977 Sacomani et al. 220/426 X
- 4,038,914 8/1977 Crespo et al. D7/399 X
- 4,331,127 5/1982 Grosso 220/428 X

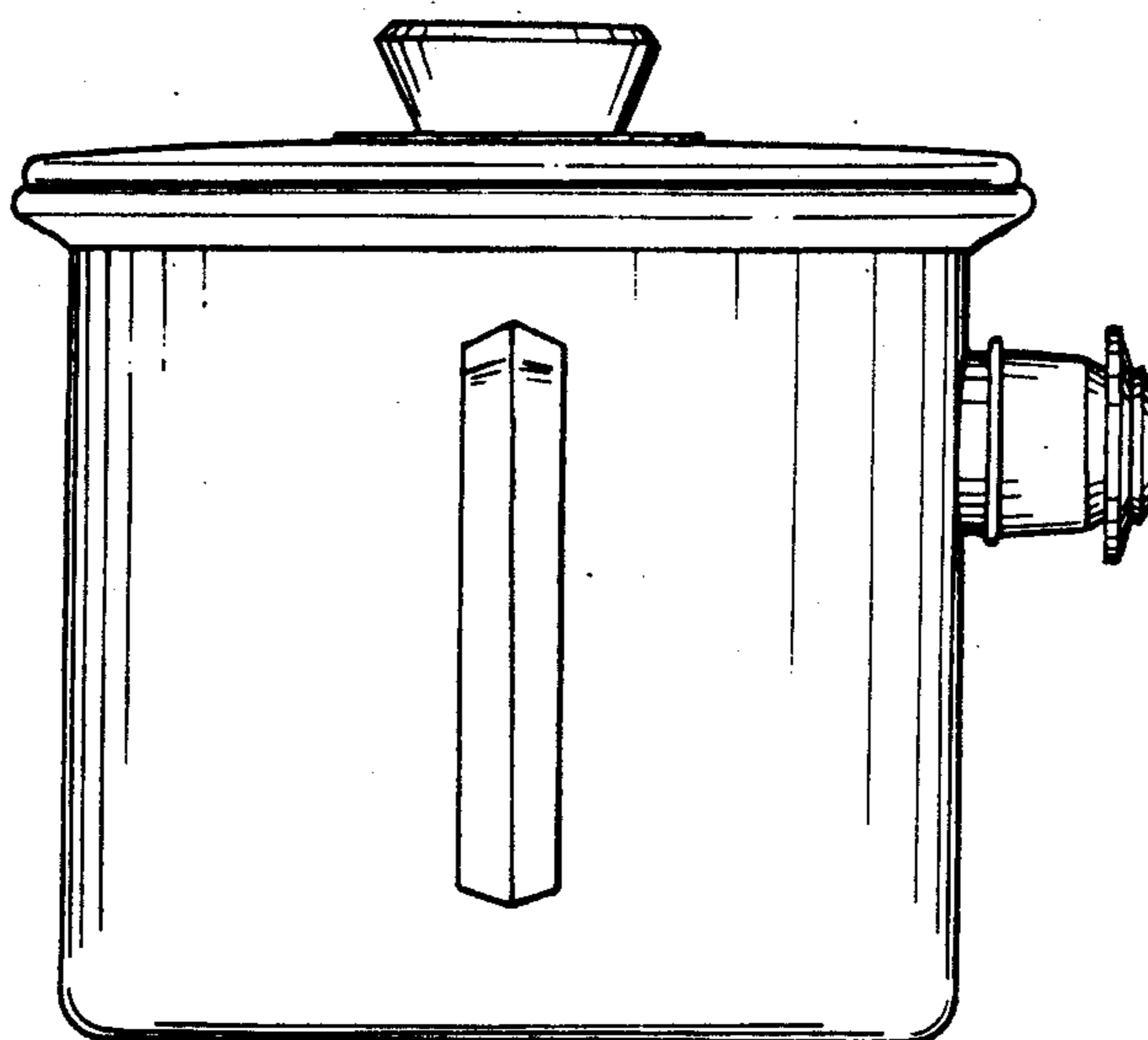
Primary Examiner—Bernard Ansher
Assistant Examiner—Linda Titolo
Attorney, Agent, or Firm—Weingarten, Schurgin, Gagnebin & Hayes

[57] CLAIM

The ornamental design for a double boiler cooking utensil, as shown and described.

DESCRIPTION

FIG. 1 is a left side elevational view of a double boiler cooking utensil, showing our new design; FIG. 2 is a front elevational view thereof; FIG. 3 is a top plan view thereof; FIG. 4 is a top plan view thereof, with the cover member removed for clarity of illustration; FIG. 5 is a rear elevational view thereof, with the cover member in a closed position; FIG. 6 is a bottom plan view thereof; FIG. 7 is a top plan view of the cover member of FIG. 1, shown separately for clarity of illustration; FIG. 8 is a side elevational view thereof, the opposite side being a mirror image thereof; and FIG. 9 is a bottom plan view thereof.



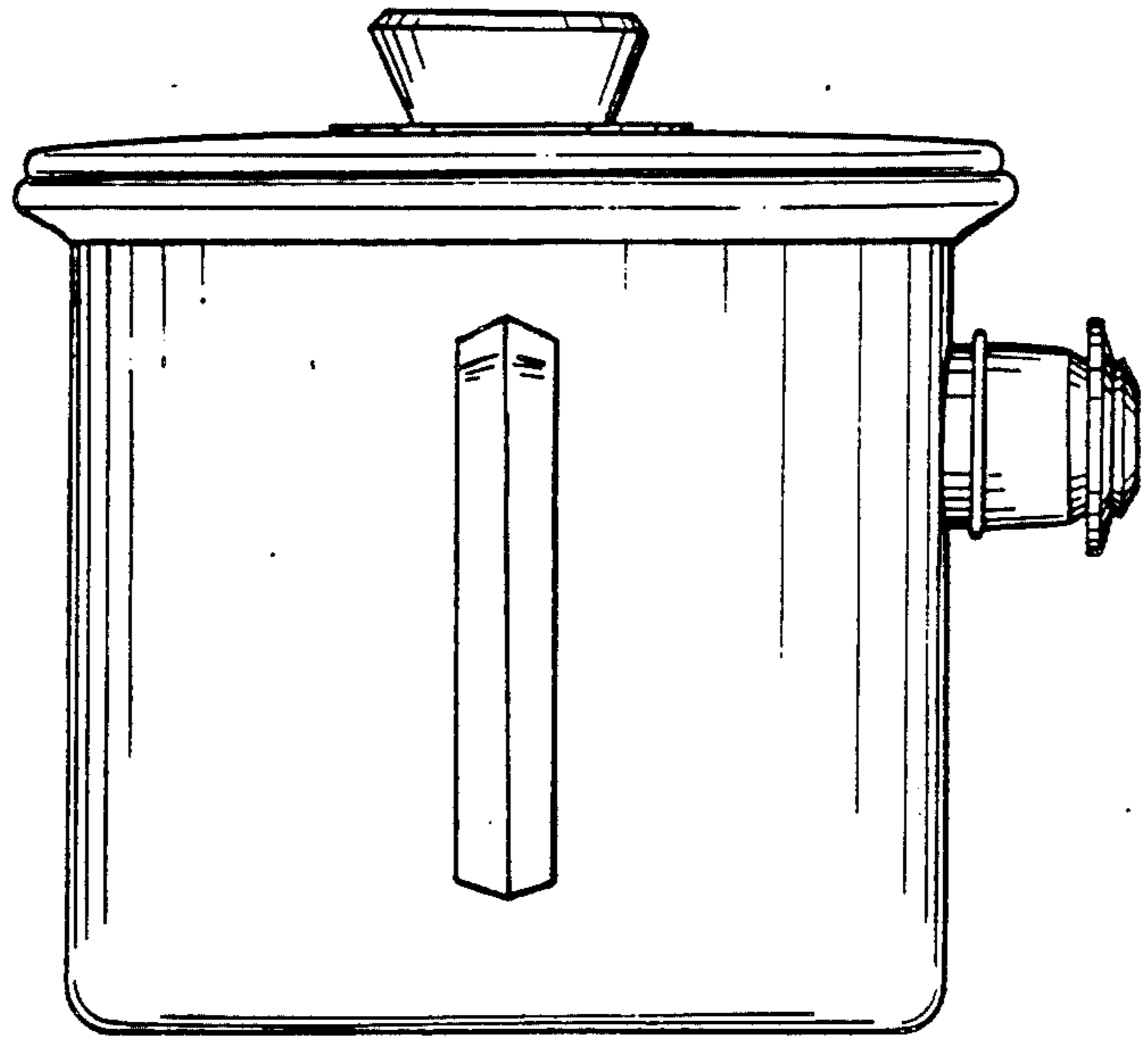


FIG 1

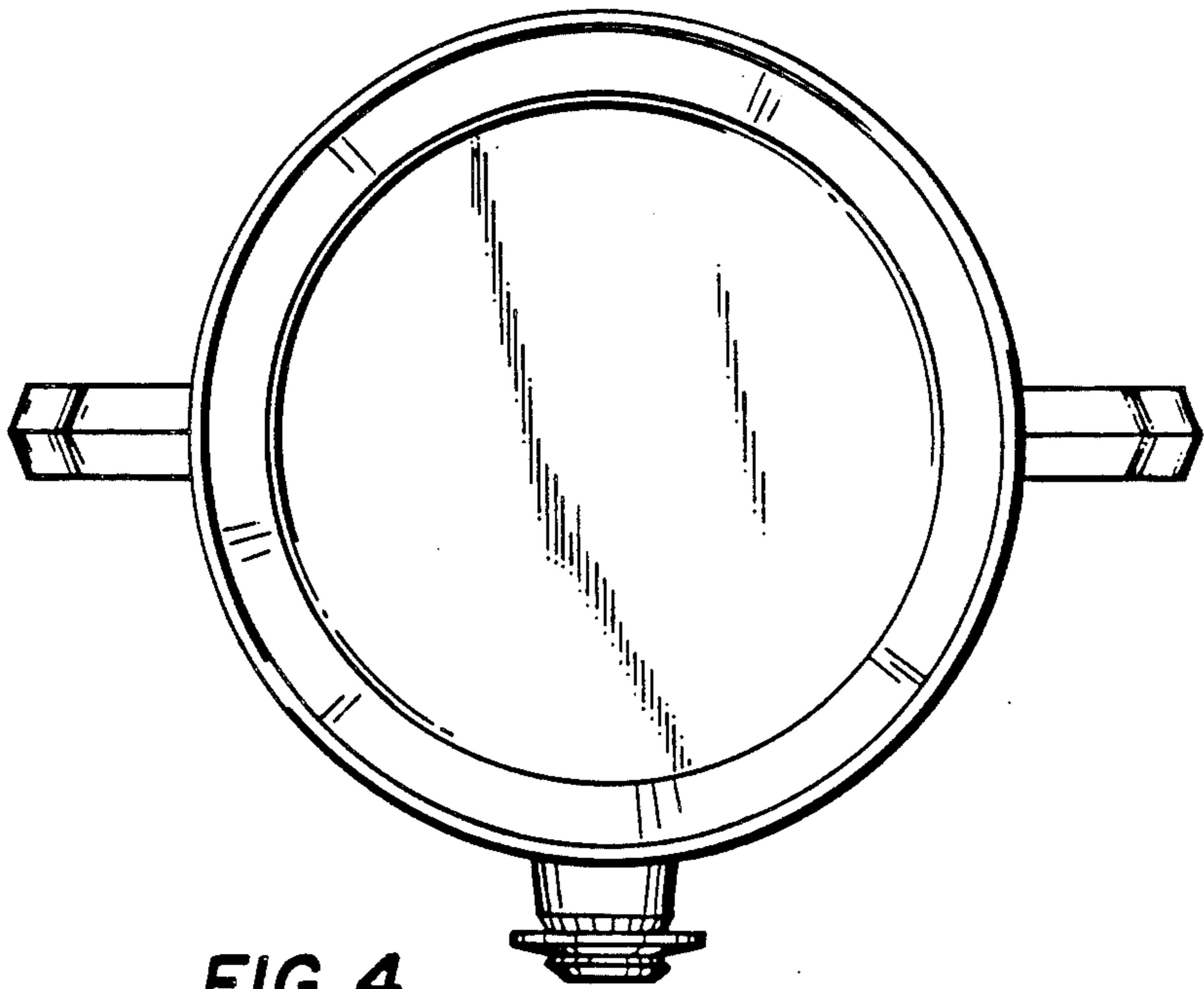


FIG 4

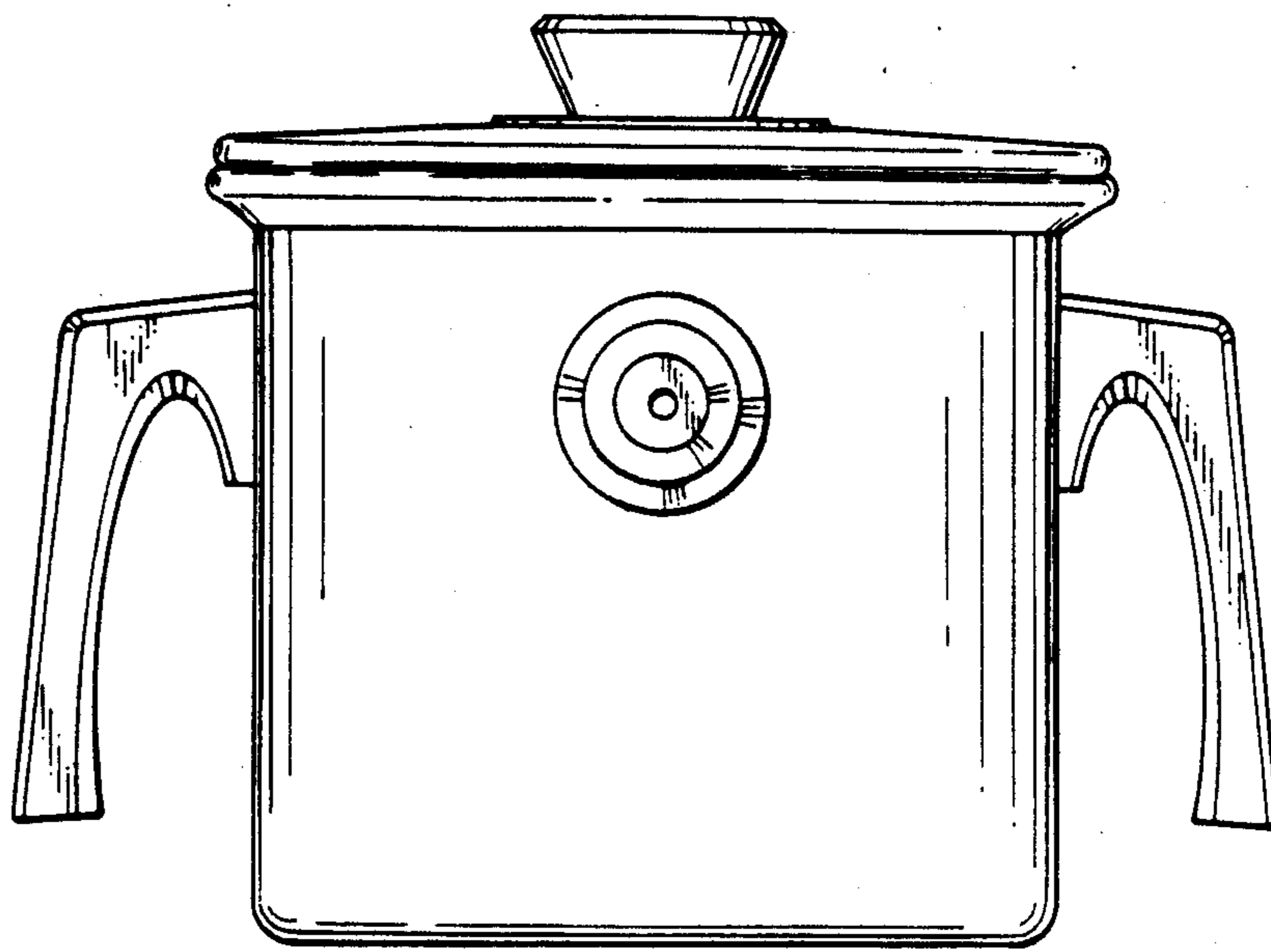


FIG 2

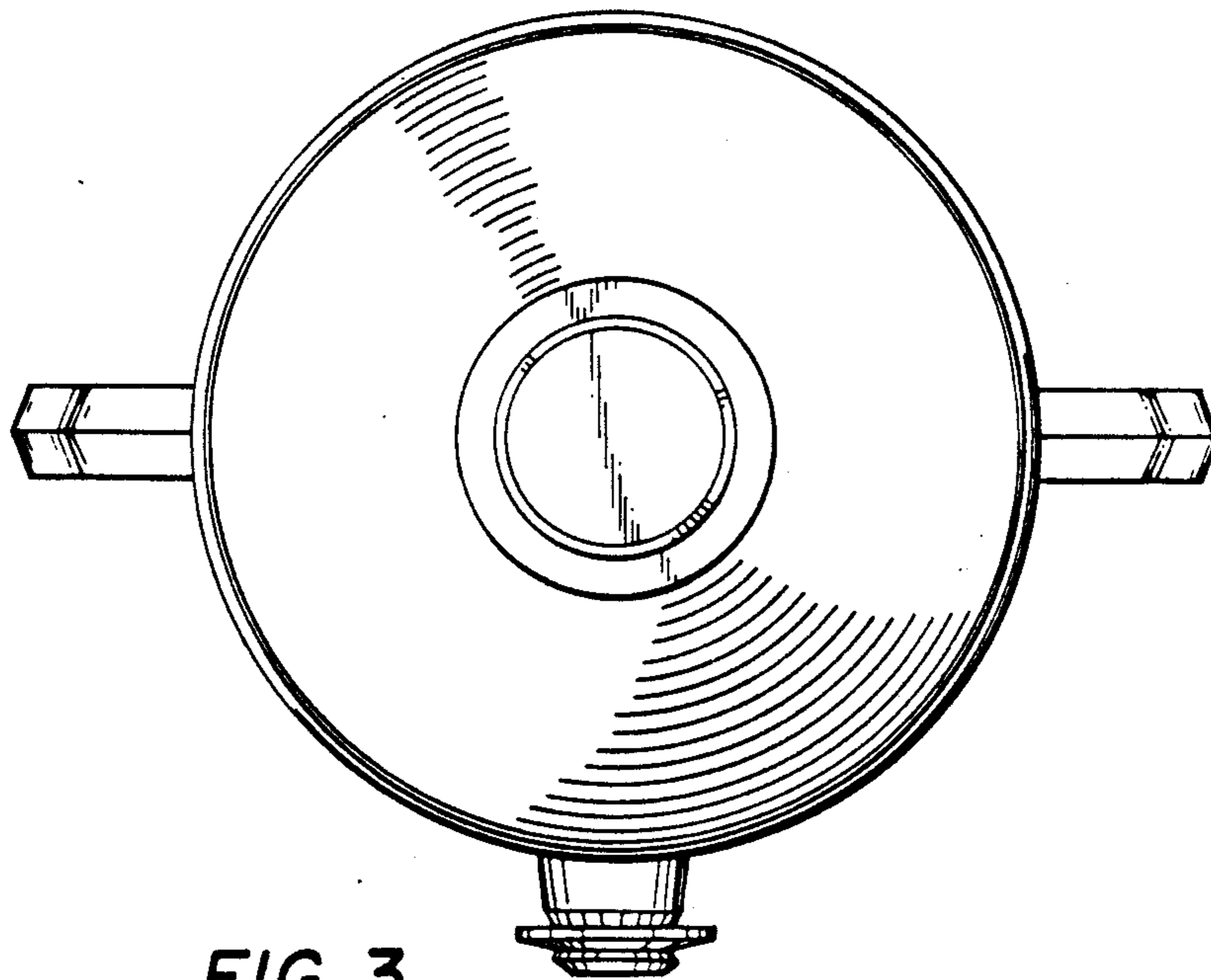


FIG 3

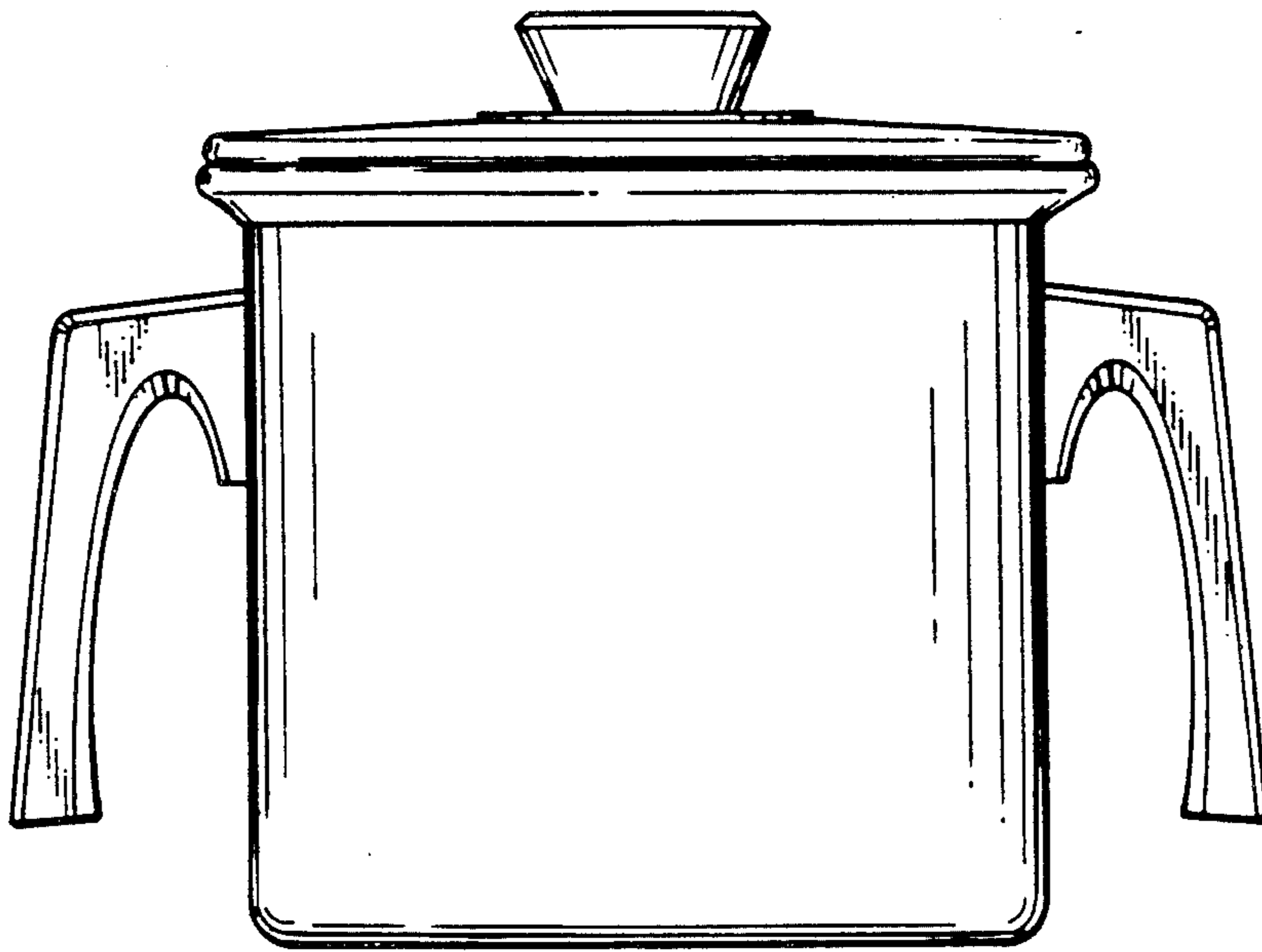


FIG 5

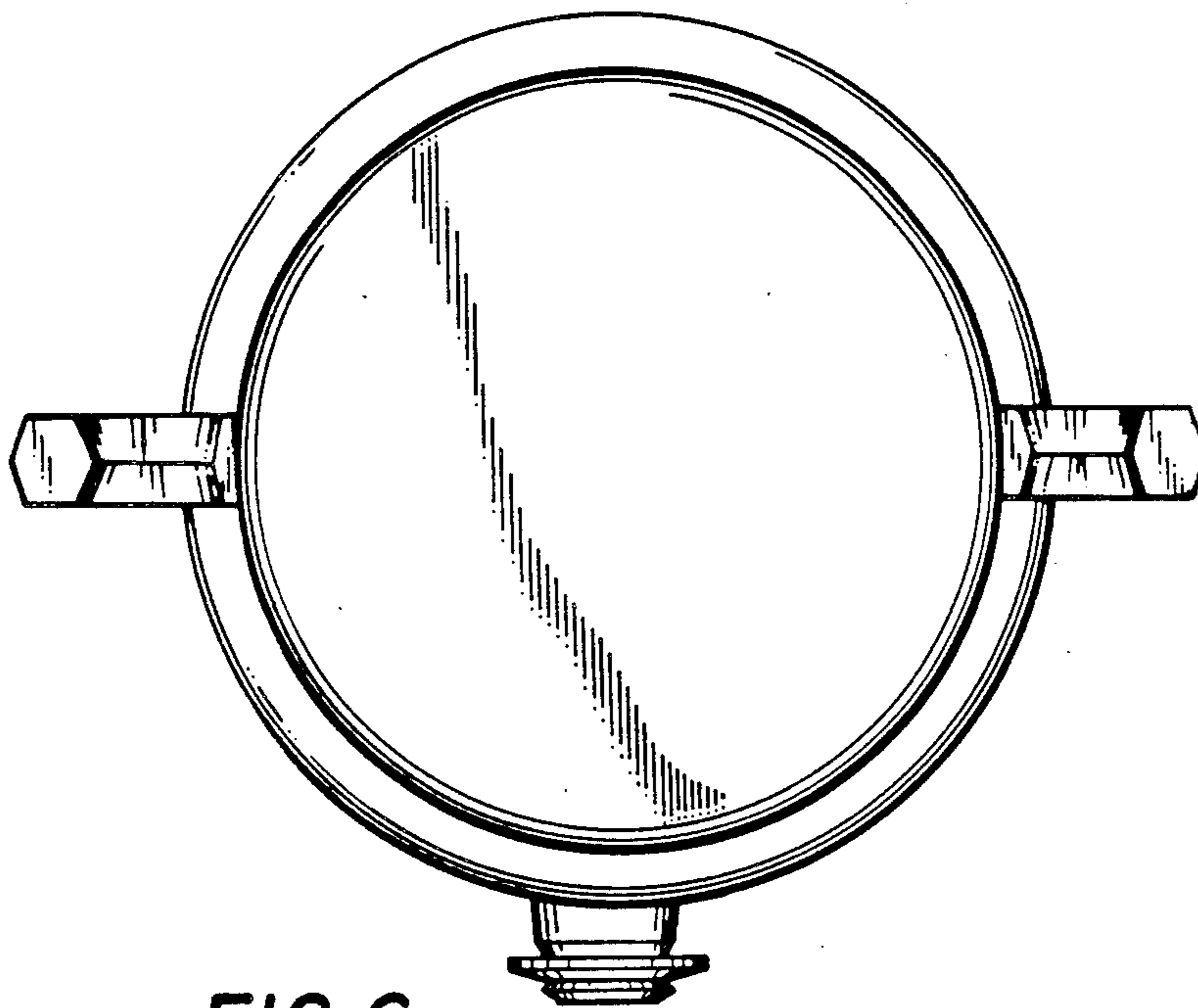


FIG 6

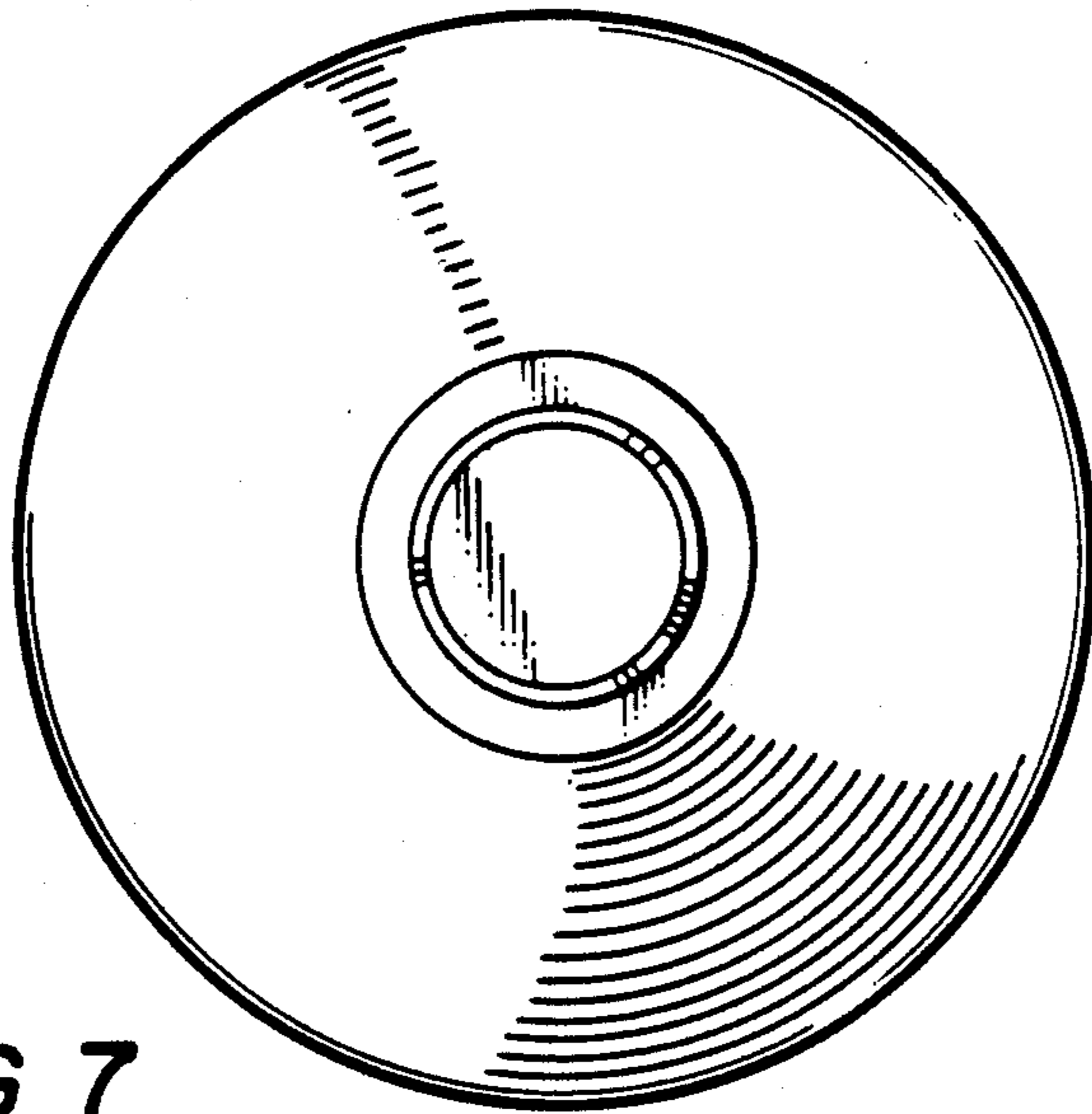


FIG 7



FIG 8

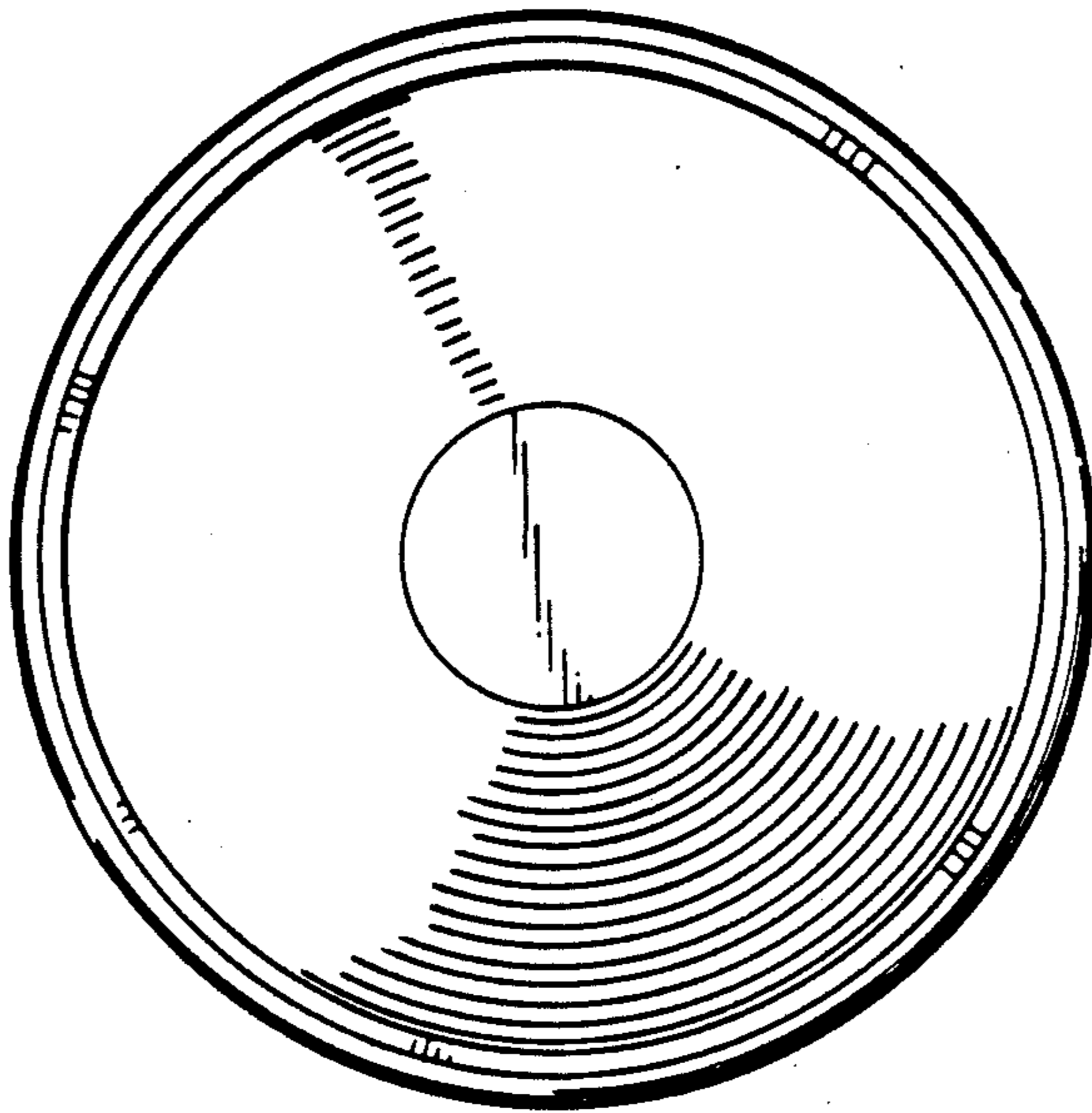


FIG 9