

[54] PORTABLE COOLER FOR ALLERGENIC EXTRACTS

[75] Inventors: John F. Baker, 45 Deerhaven Pl., Pleasant Hill, Calif. 94523; Barry Dep, Castro Valley, Calif.

[73] Assignee: John F. Baker, Concord, Calif.

[**] Term: 14 Years

[21] Appl. No.: 732,350

[22] Filed: May 8, 1985

[52] U.S. Cl. D7/77

[58] Field of Search D7/76, 77; D9/420, 423, D9/424, 426, 432; D3/30.1; 220/412, 902; 62/457, 371, 529

[56] References Cited

U.S. PATENT DOCUMENTS

D. 244,822 6/1977 Havelly et al. D7/77
4,061,228 12/1977 Johnson 206/564 X

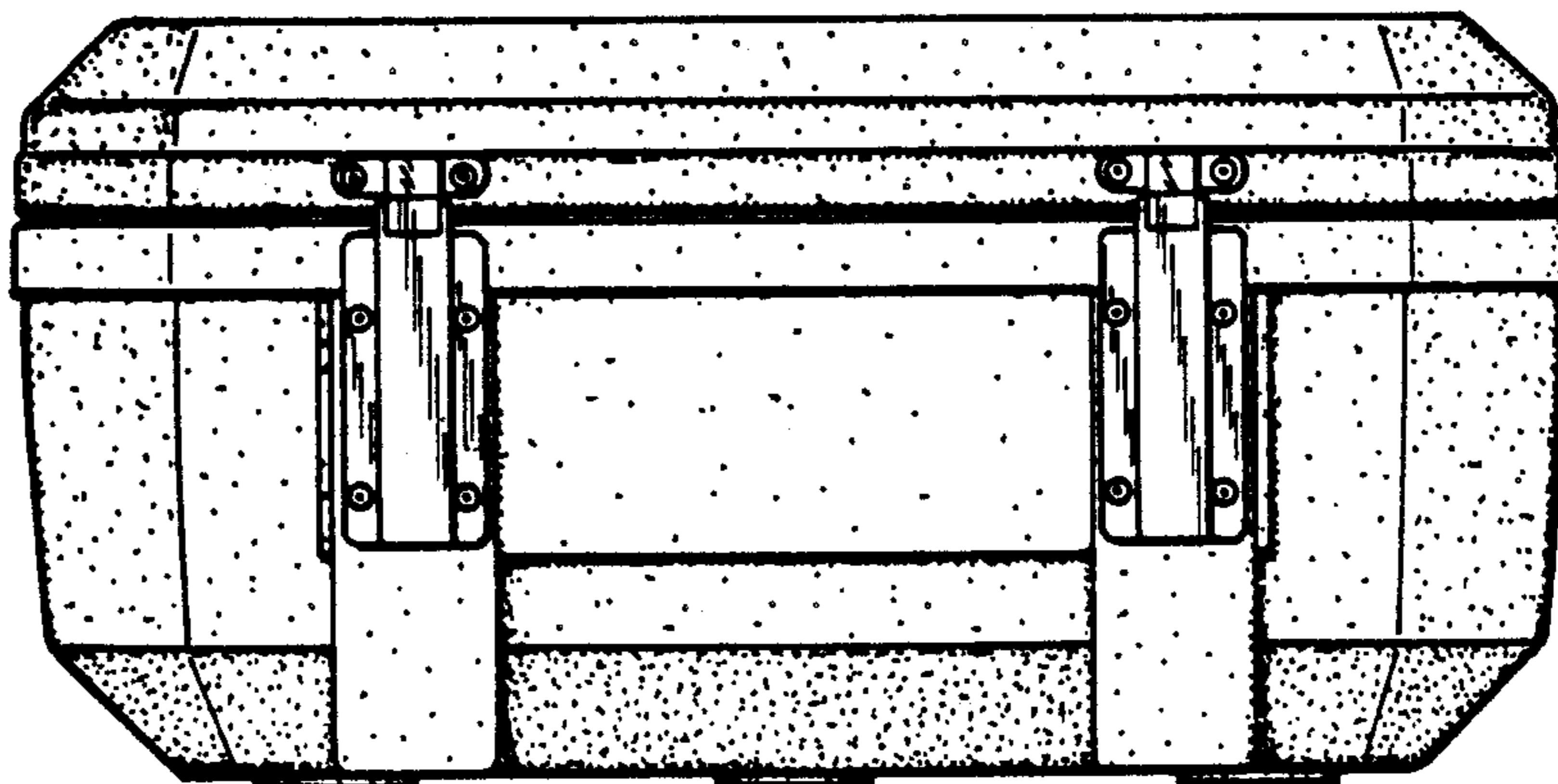
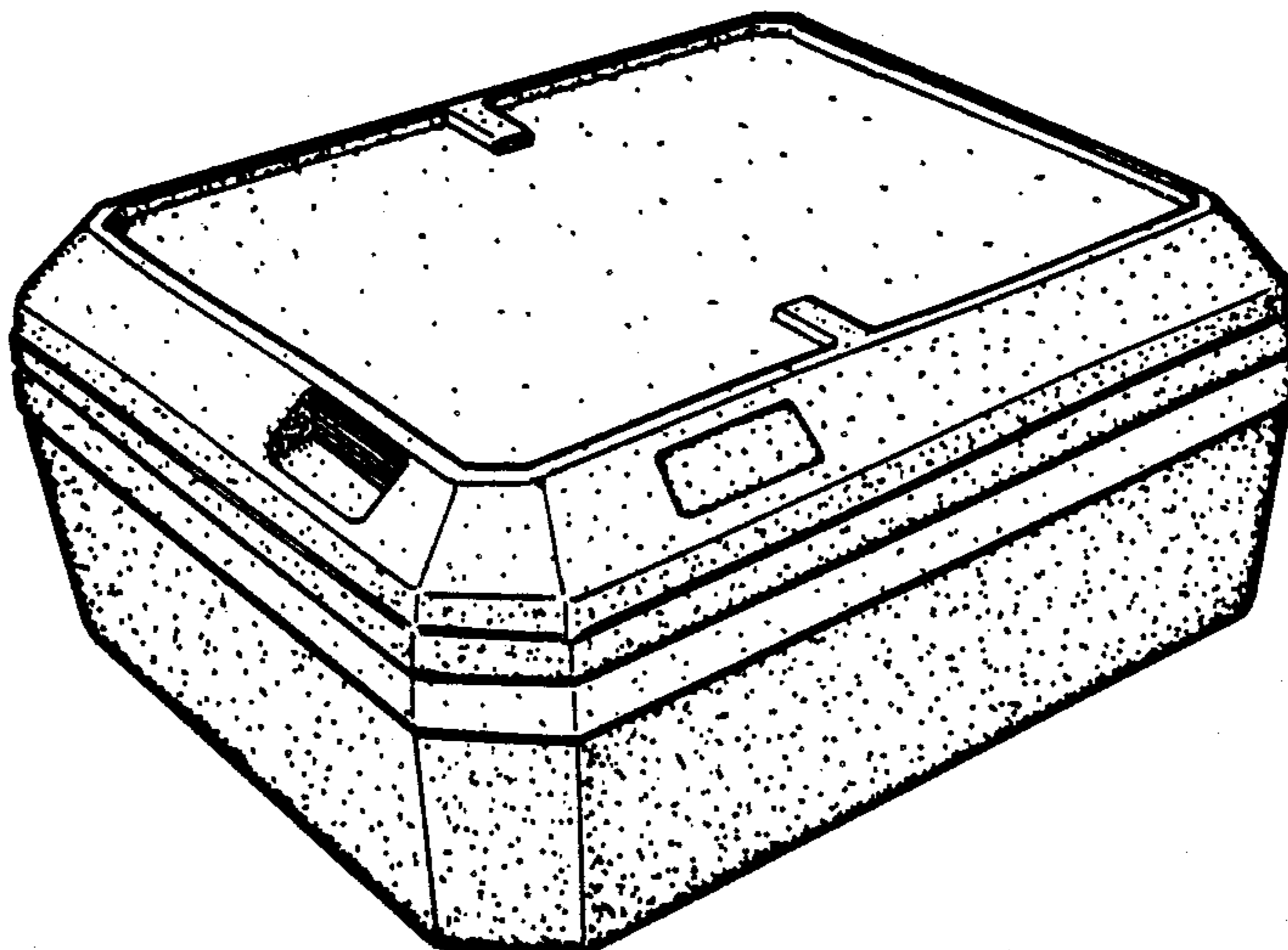
Primary Examiner—Bernard Ansher
Assistant Examiner—Terry Pfeffer
Attorney, Agent, or Firm—Donald L. Beeson

[57] CLAIM

The ornamental design for a portable cooler for allergenic extracts, as shown.

DESCRIPTION

FIG. 1 is a perspective view of a portable cooler for allergenic extracts showing our new design; FIG. 2 is a right side elevational view thereof; FIG. 3 is a rear elevational view thereof; FIG. 4 is a left side elevational view thereof; FIG. 5 is a top plan view thereof; FIG. 6 is a front elevational view thereof; and FIG. 7 is a bottom plan view thereof.



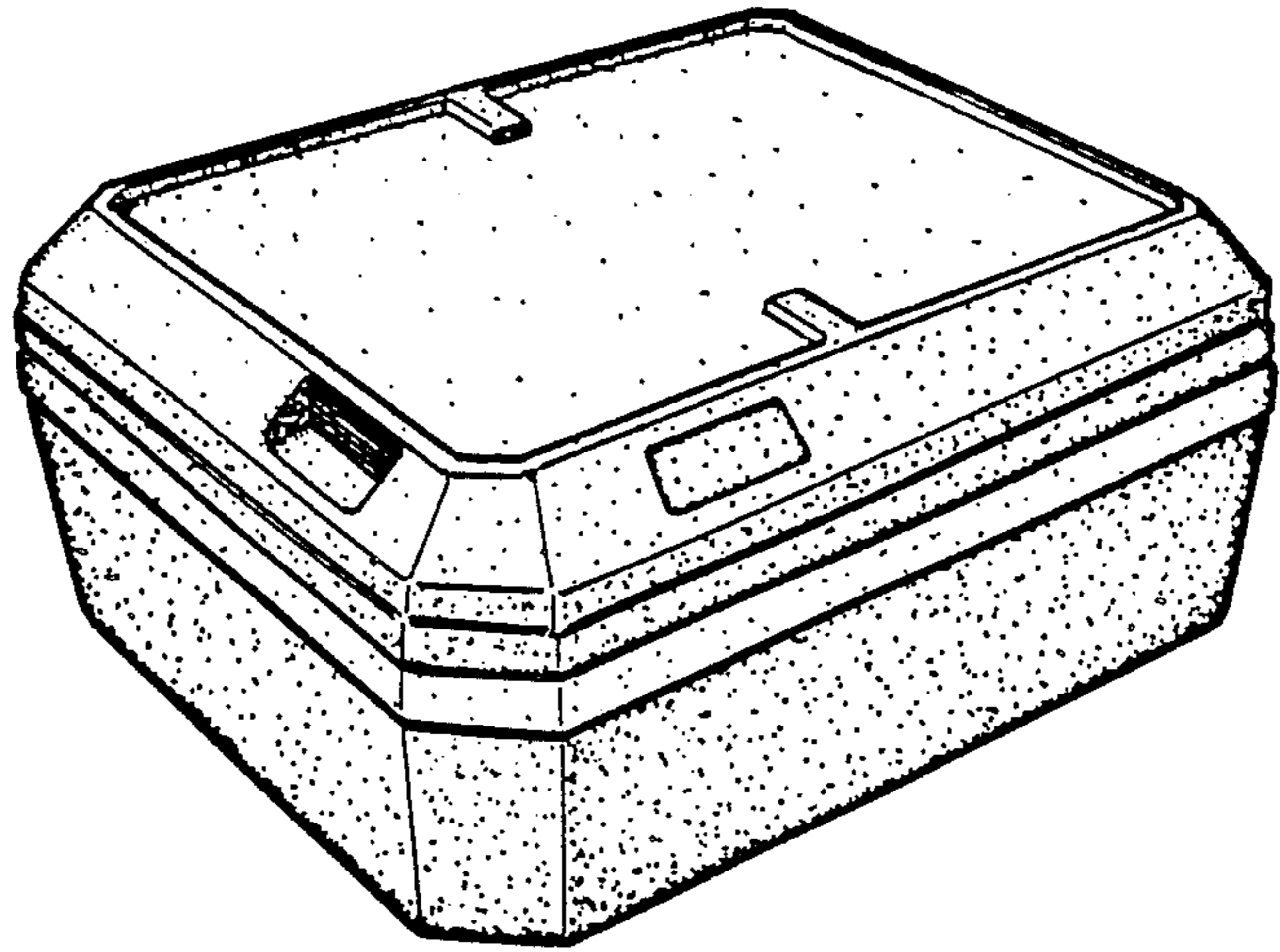


FIG. 1.

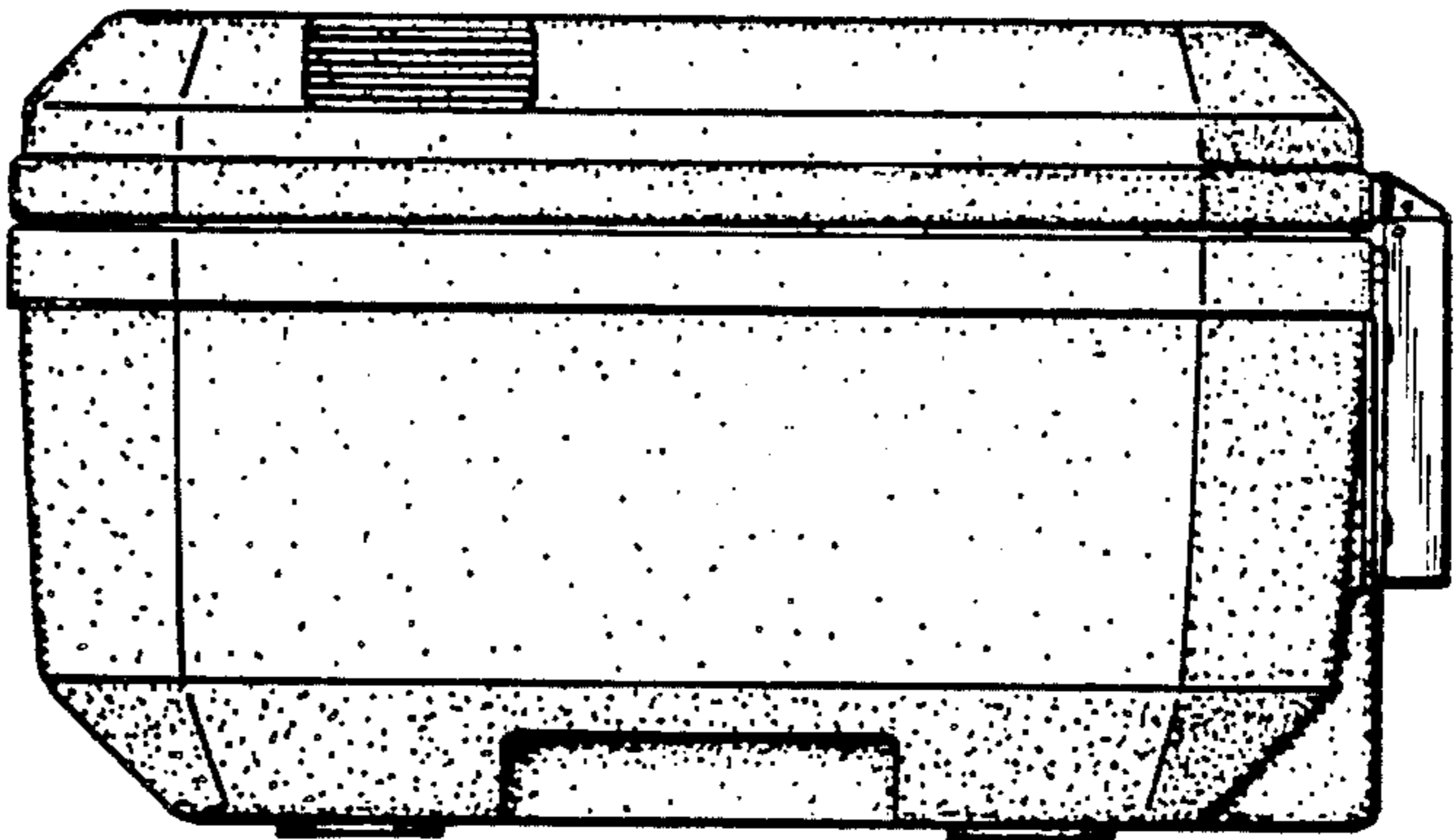


FIG. 2.

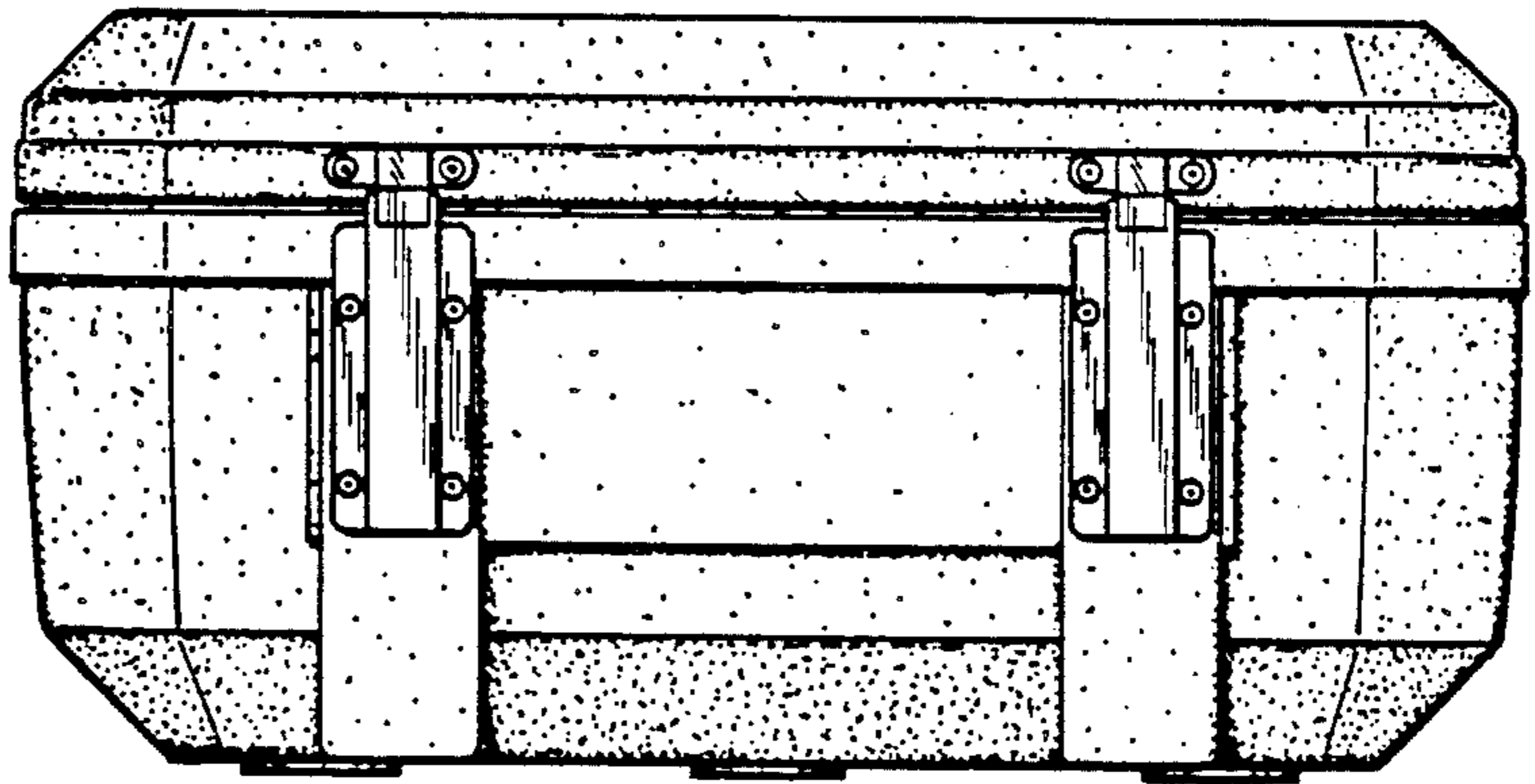


FIG. 3.

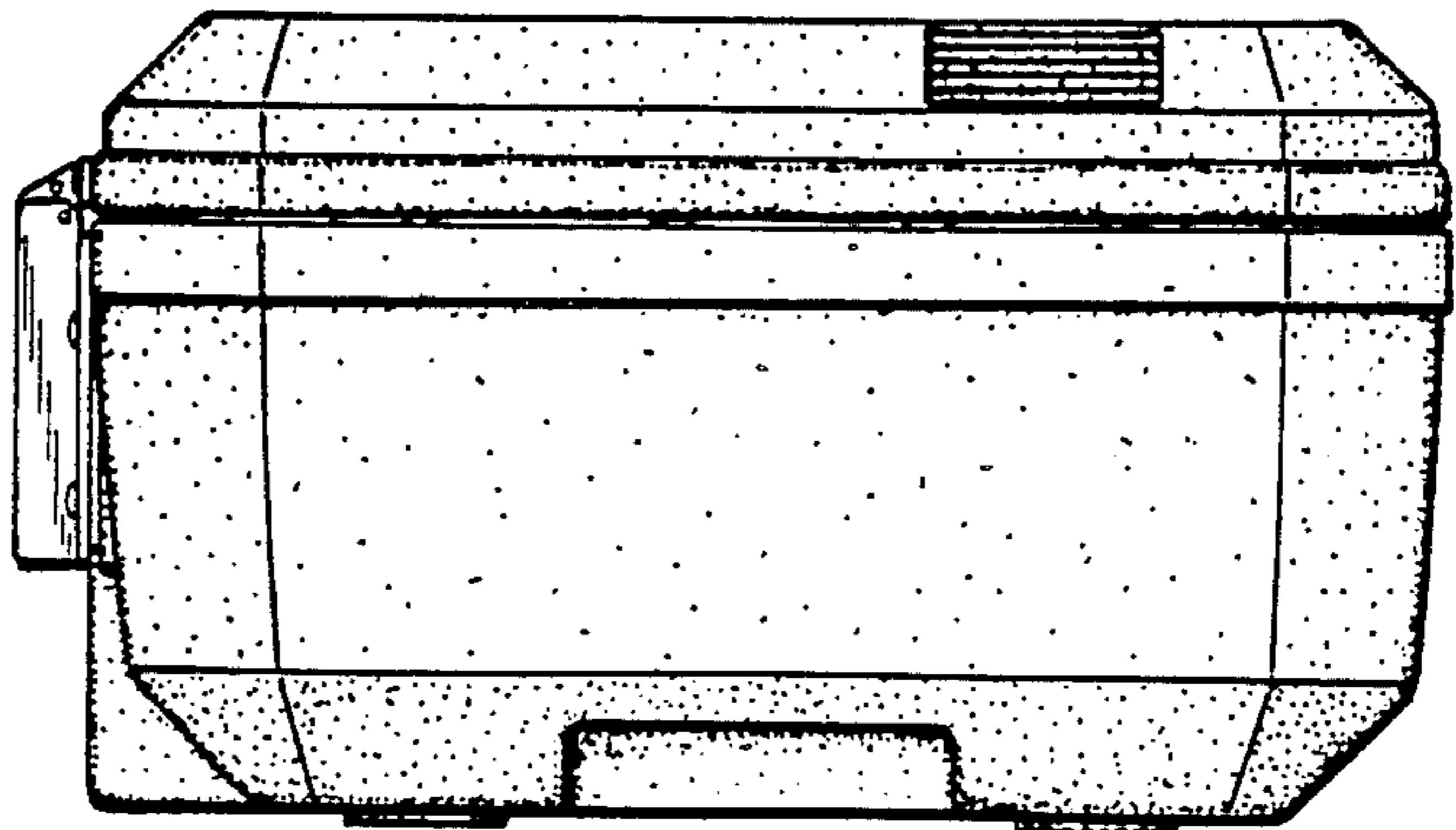


FIG. 4.

FIG. 5.

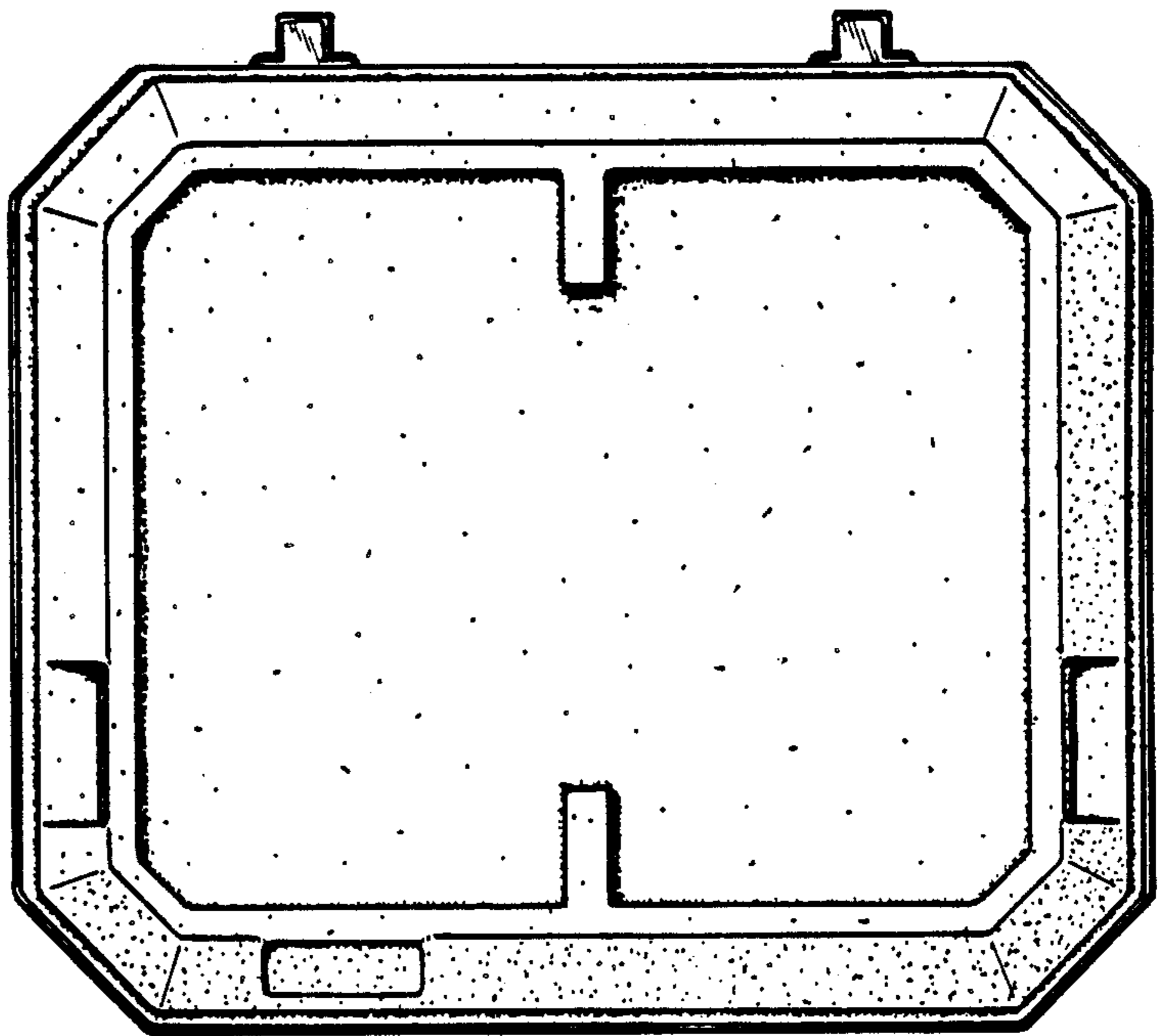


FIG. 6.

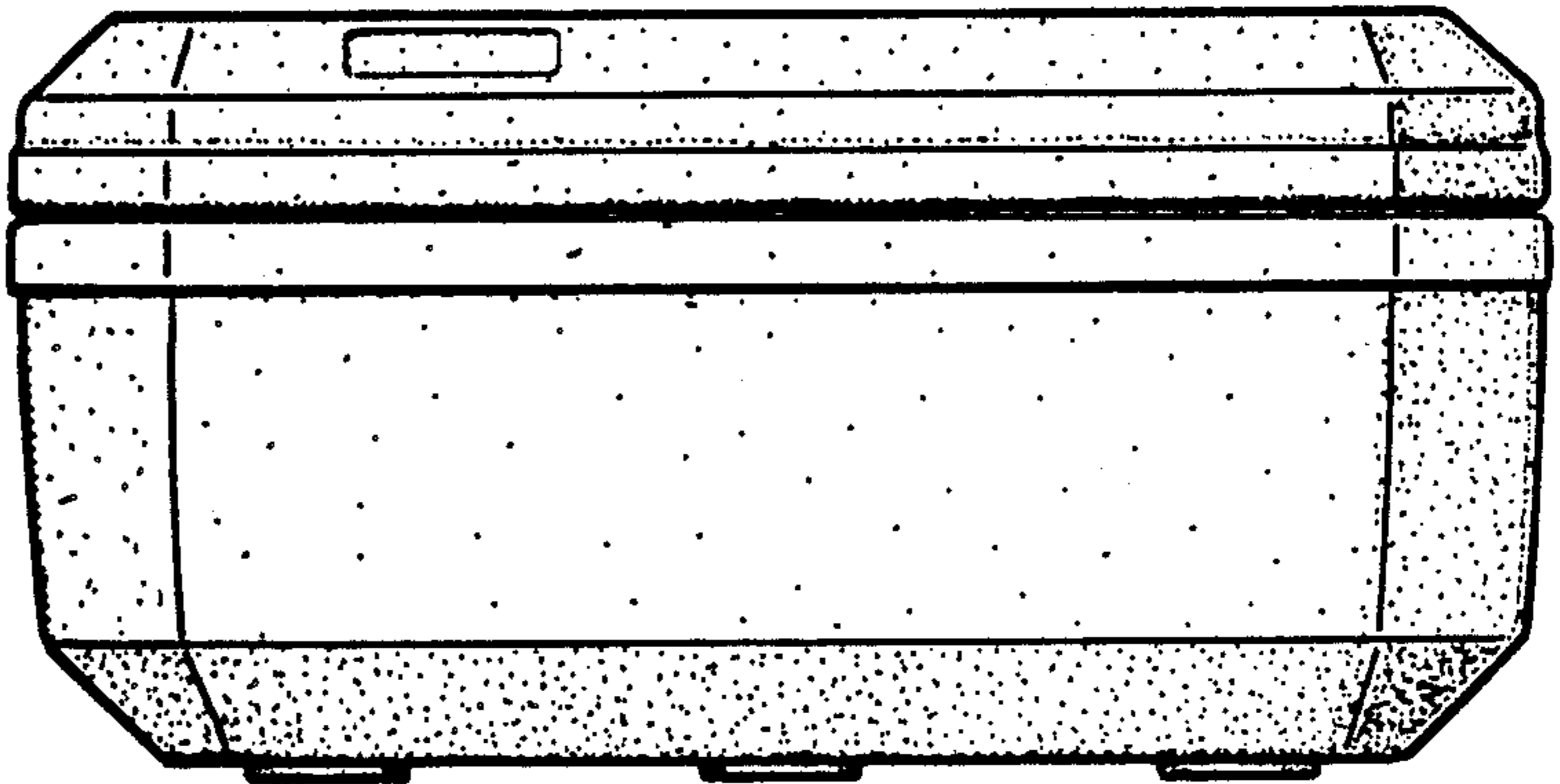


FIG. 7.

