

[54] AUTOMATIC JUICING MACHINE

[76] Inventor: Stewart C. Nelson, 215 Burns St., Forest Hills, N.Y. 11375

[**] Term: 14 Years

[21] Appl. No.: 639,742

[22] Filed: Aug. 13, 1984

[52] U.S. Cl. D7/49; D7/300

[58] Field of Search D7/48, 49, 300, 306; 99/495; 222/129.1

[56] References Cited

U.S. PATENT DOCUMENTS

- D. 171,641 3/1954 Dodge D7/49
- 3,186,458 6/1965 Takai et al. D7/49 X

4,440,074 4/1984 Ihara et al. 99/495 X

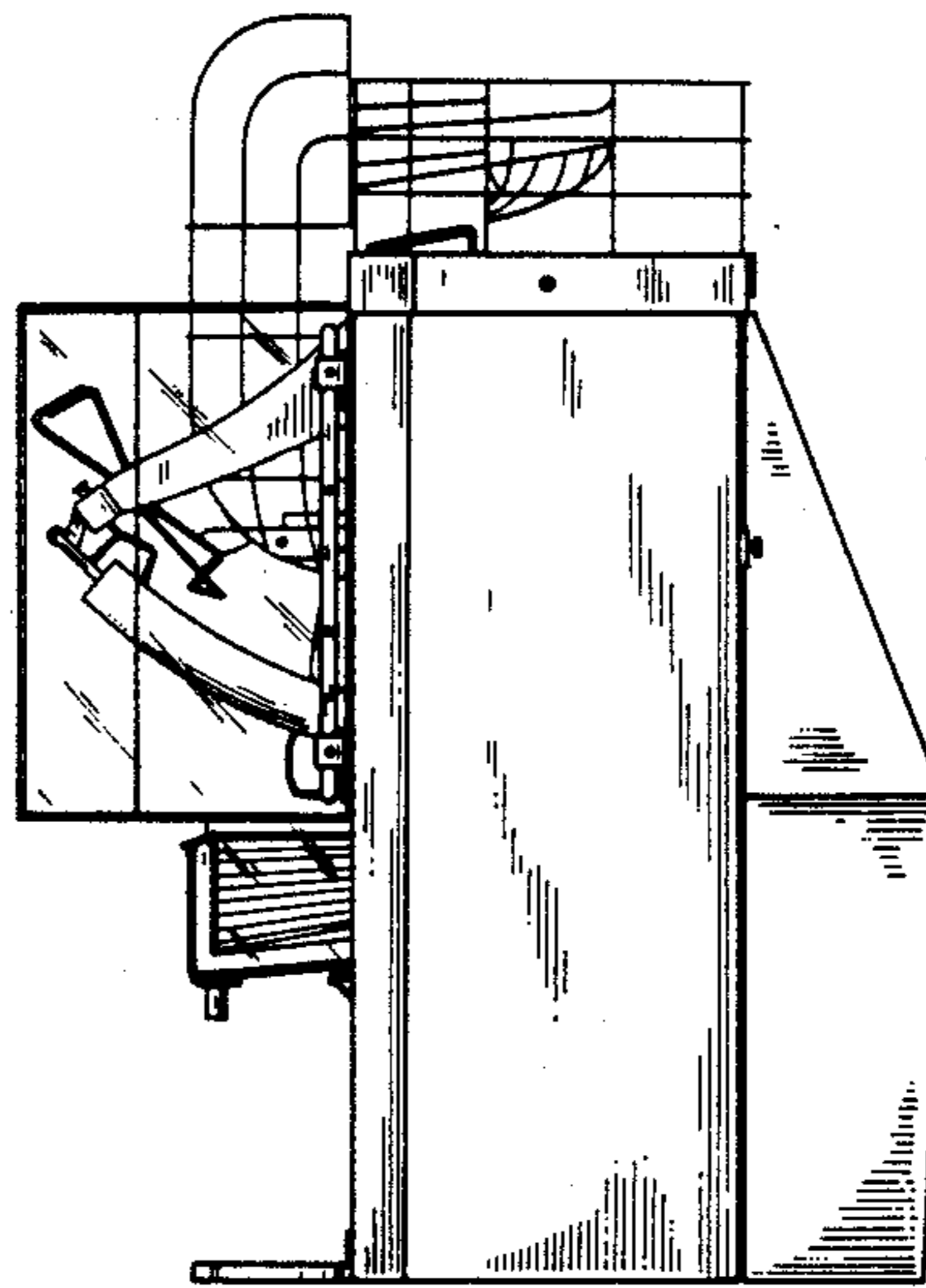
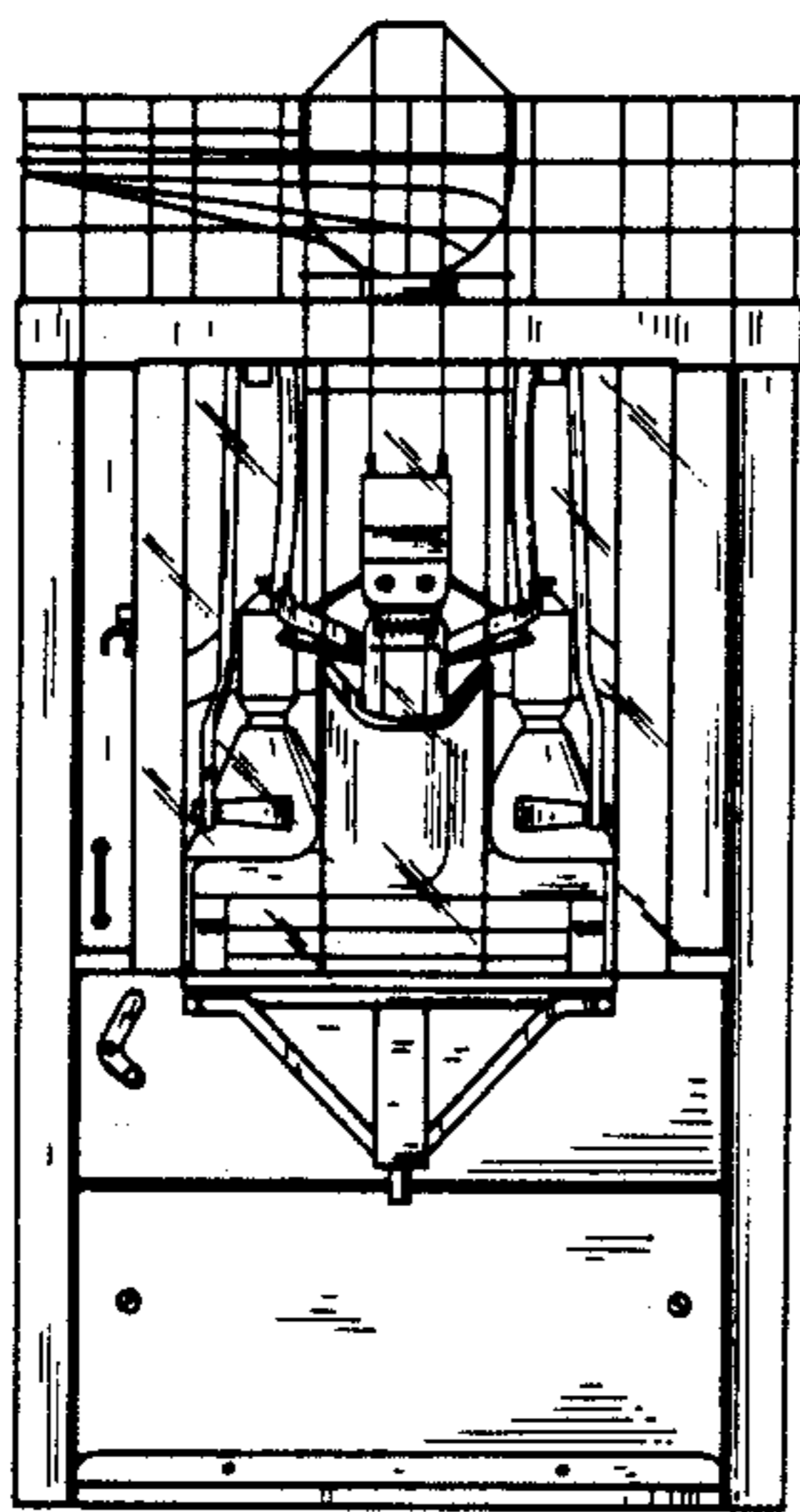
Primary Examiner—Bernard Ansher
Assistant Examiner—Terry Pfeffer

[57] CLAIM

The ornamental design for automatic juicing machine, substantially as shown and described.

DESCRIPTION

FIG. 1 is a front elevational view of the automatic juicing machine showing the new design; FIG. 2 is a right end elevational view thereof; FIG. 3 is a left end elevational view thereof; FIG. 4 is a rear elevational view thereof; FIG. 5 is a top plan view thereof; and FIG. 6 is a bottom plan view thereof.



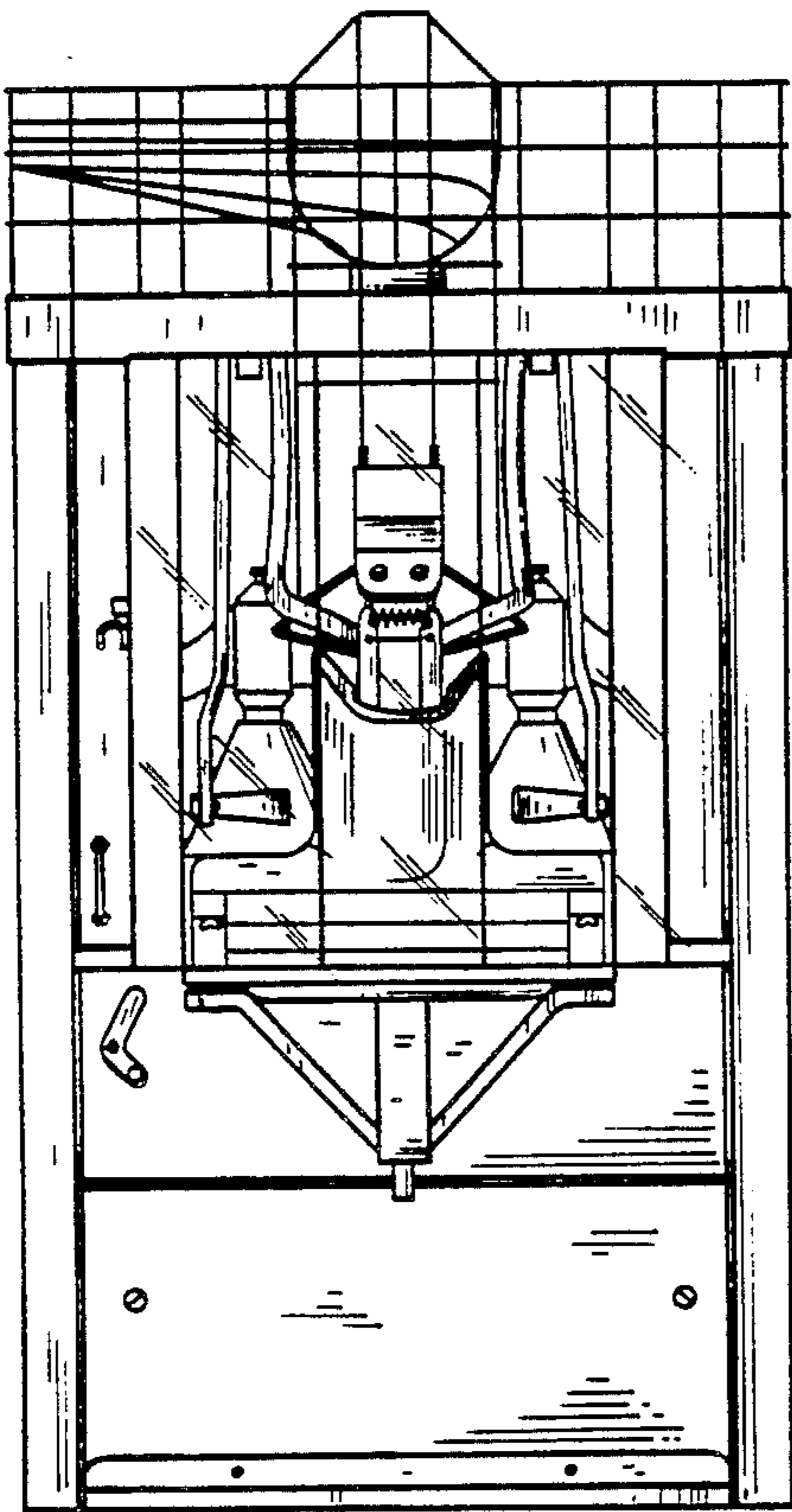


FIG. 1

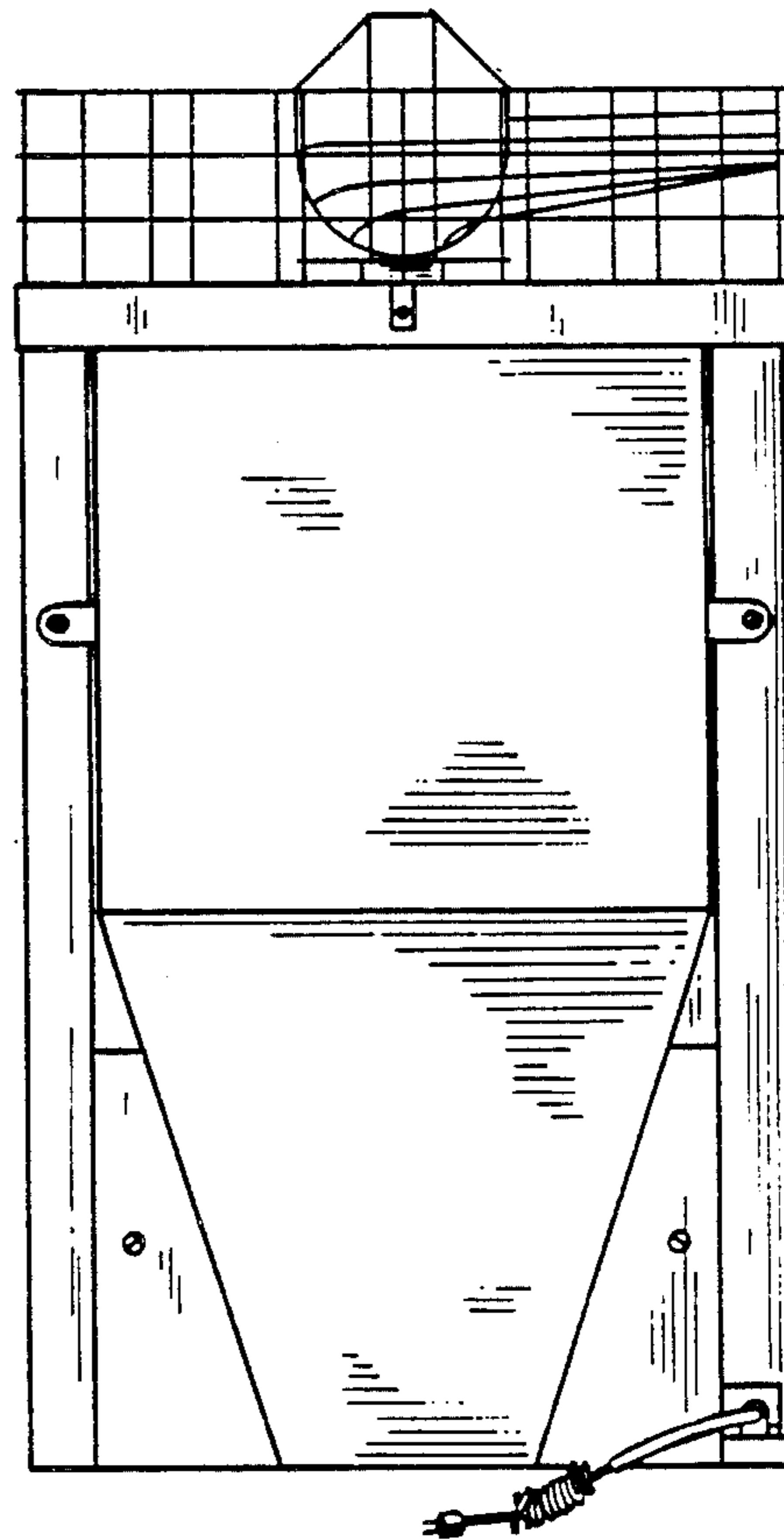


Fig. 4

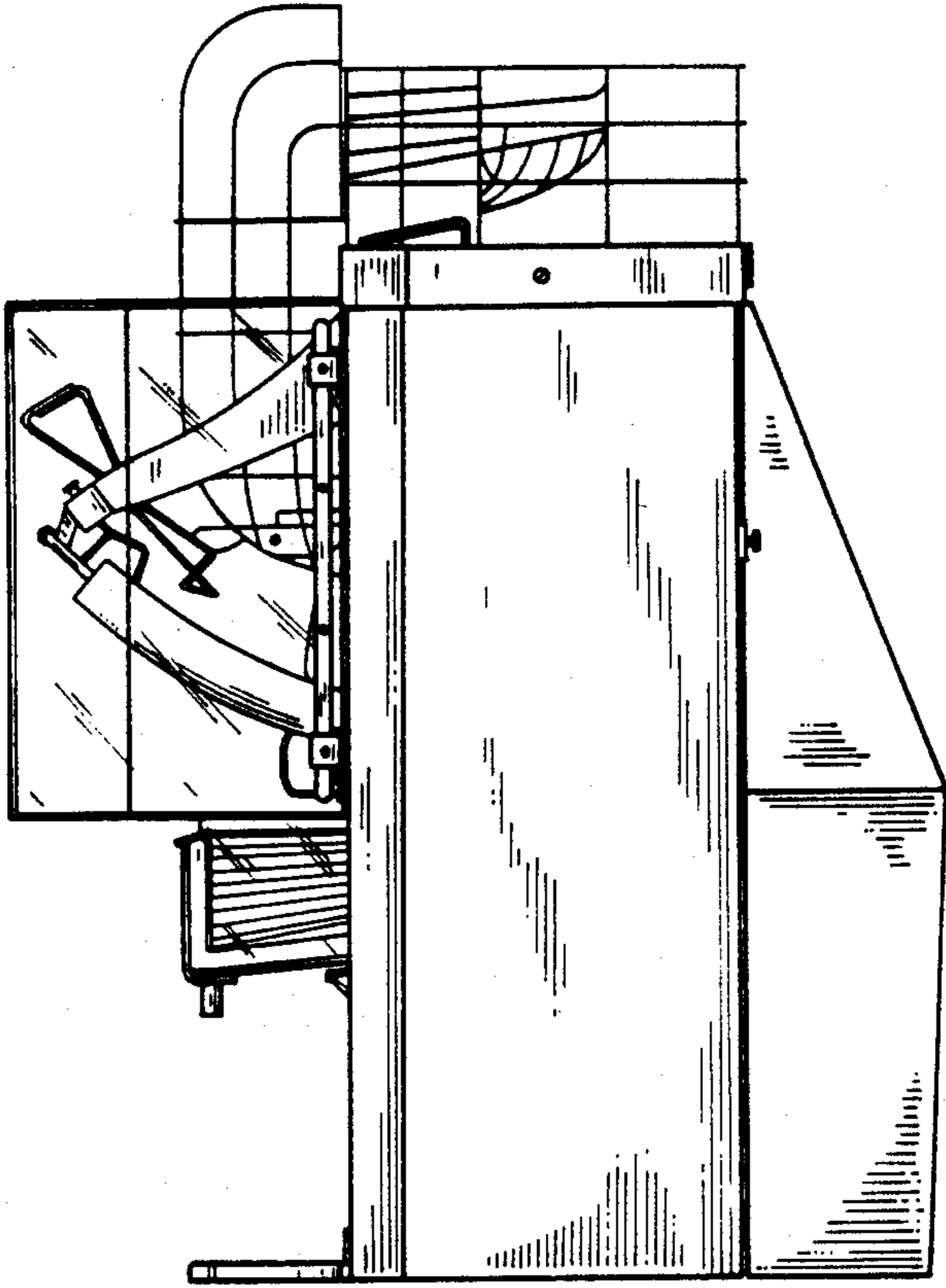


FIG. 2

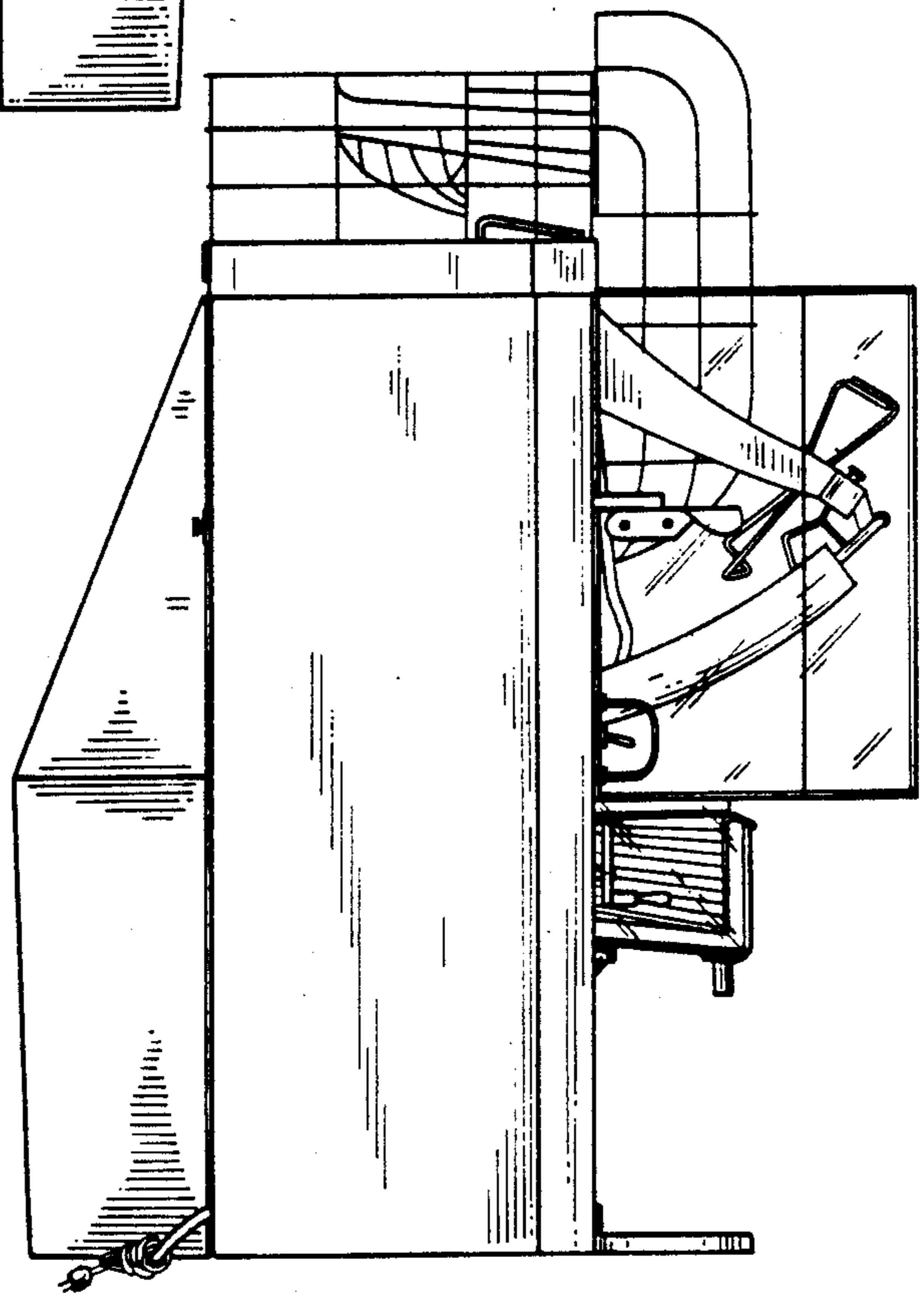


FIG. 3

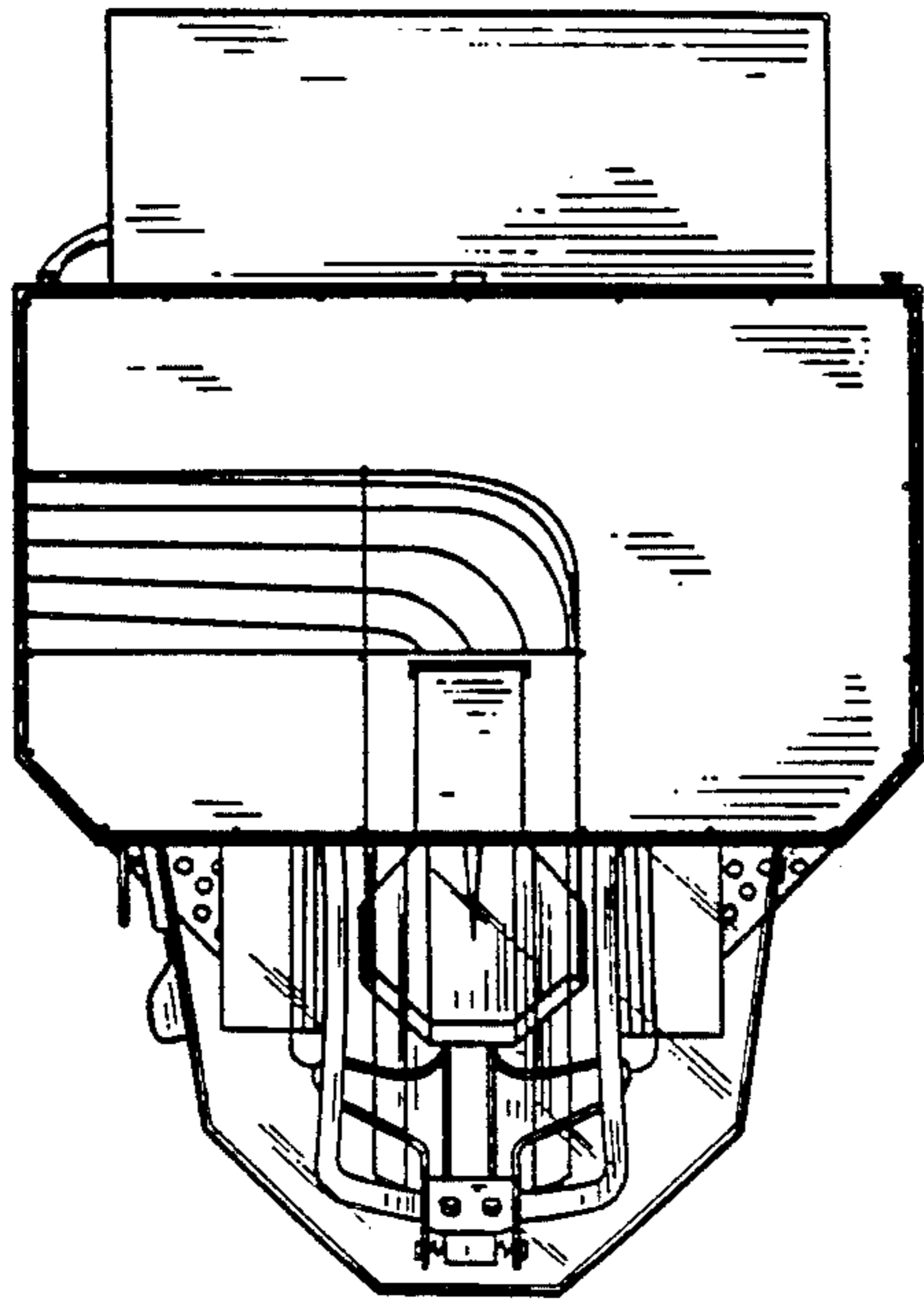


Fig. 5

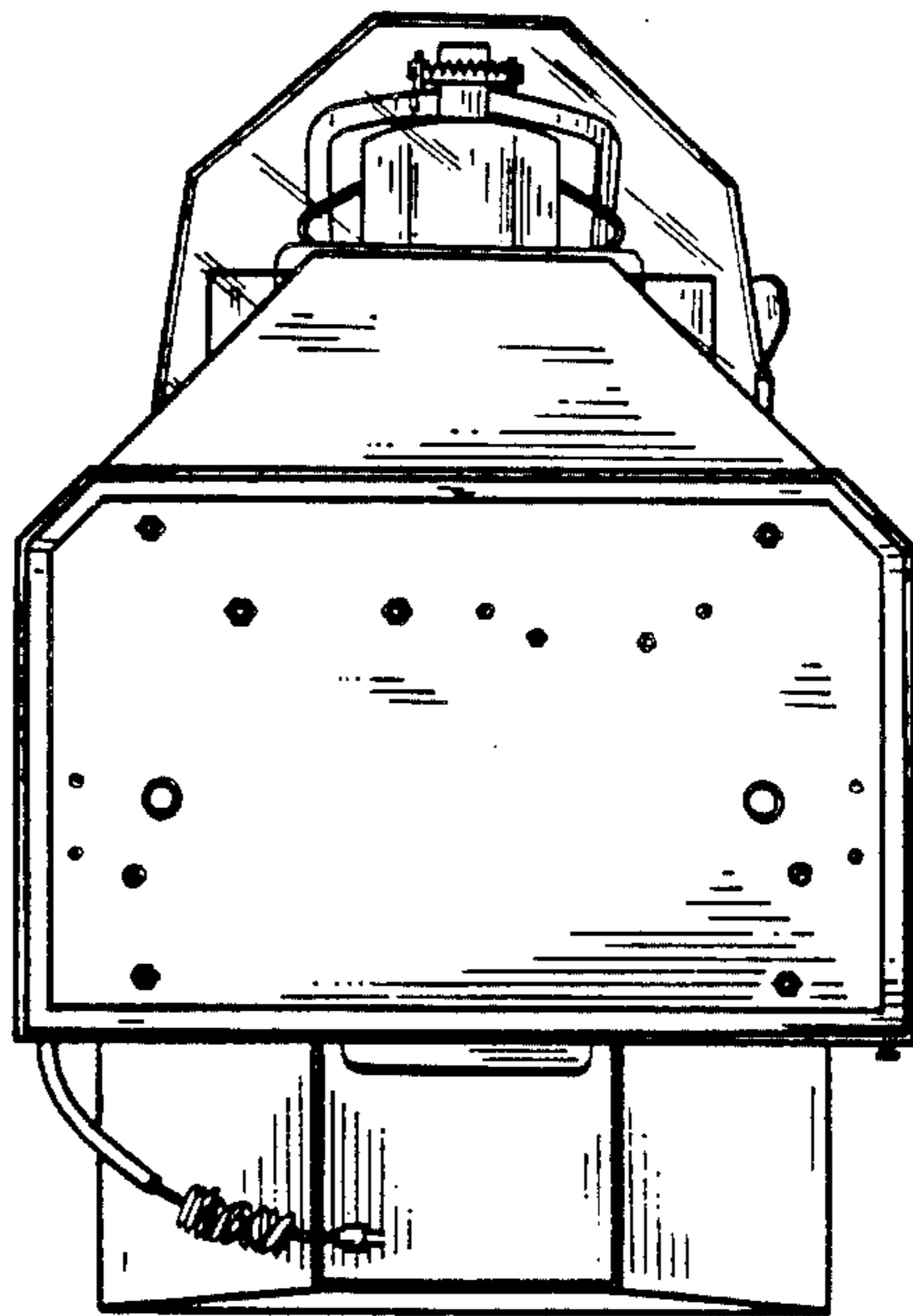


Fig. 6