

[54] MULTIPLE DESK TOP UNIT

[75] Inventors: William R. Worrell, Hopkins, Minn.; Robert N. Laroche, Montreal, Canada

[73] Assignee: All-Steel Canada Ltd., Montreal, Canada

[\*] Notice: The portion of the term of this patent subsequent to May 26, 2001 has been disclaimed.

[\*\*] Term: 14 Years

[21] Appl. No.: 670,037

[22] Filed: Nov. 13, 1984

[52] U.S. Cl. .... D6/511; D6/423; D6/427

[58] Field of Search ..... D6/422-428, D6/480, 484, 483, 511, 491

[56] References Cited

U.S. PATENT DOCUMENTS

- D. 168,881 12/1959 Ogg ..... D6/442 X
- D. 170,523 10/1953 Brown ..... D6/427
- D. 208,709 9/1967 Barecki ..... D6/422 X
- D. 222,152 10/1971 Botterbusch, Jr. .... D6/442 X
- D. 255,737 7/1980 Gayeski ..... D6/427 X
- D. 273,069 3/1984 Yauger ..... D6/511
- D. 278,772 5/1985 Koguma ..... D6/426
- D. 279,846 7/1985 Esslinger ..... D6/483

OTHER PUBLICATIONS

Office Products Dealer, May 1984, p. 82, Data-Mate Desk, left center.

Primary Examiner—Bruce W. Dunkins  
Attorney, Agent, or Firm—Mann, McWilliams, Zummer & Sweeney

[57] CLAIM

The ornamental design for a multiple desk top unit, substantially as shown and described.

DESCRIPTION

FIG. 1 is a perspective view of a multiple desk top unit showing our new design;

FIG. 2 is similar to FIG. 1, but taken from the far side of FIG. 1;

FIG. 3 is a bottom plan view wherein portions have been broken away for convenience of illustration;

FIG. 4 is a top plan view thereof;

FIG. 5 is a top plan view of a multiple desk top unit showing a second embodiment of our design;

FIG. 6 is a top plan view of a multiple desk top unit showing a third embodiment of our design;

FIG. 7 is a top plan view of a multiple desk top unit showing a fourth embodiment of our design;

FIG. 8 is a top plan view of a multiple desk top unit showing a fifth embodiment of our design; and

FIG. 9 is a top plan view of a multiple desk top unit showing a sixth embodiment of our design.

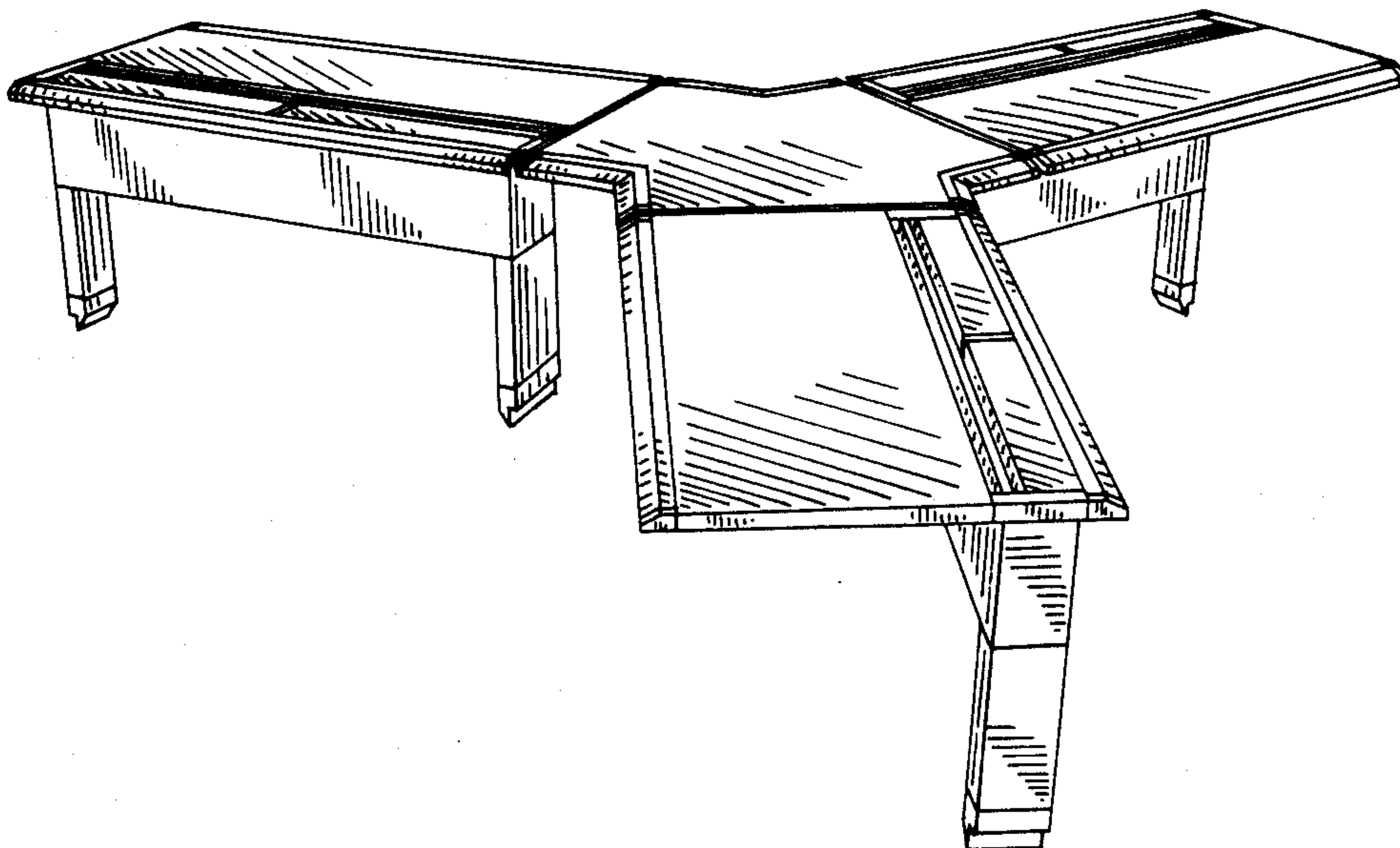


FIG. 1.

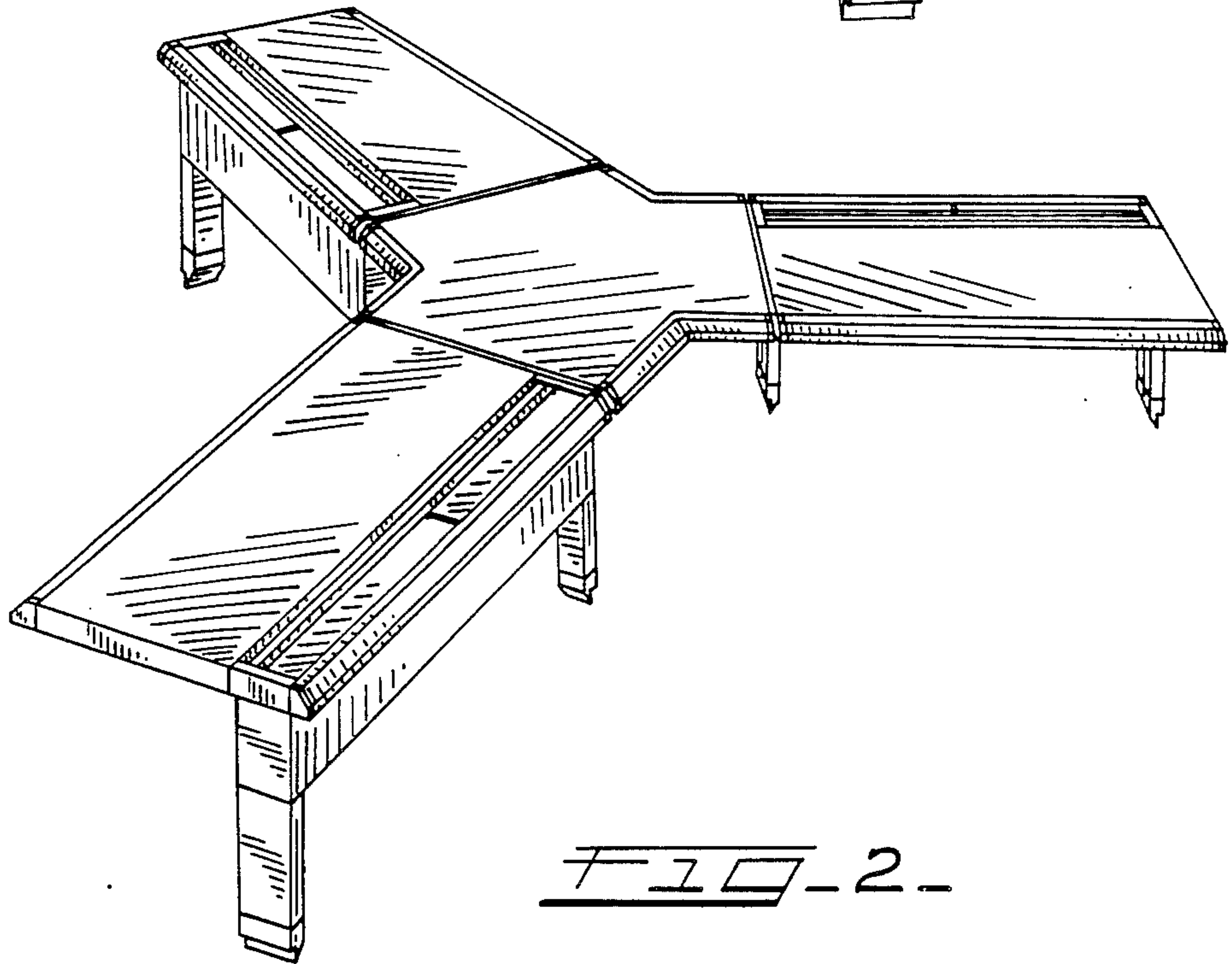
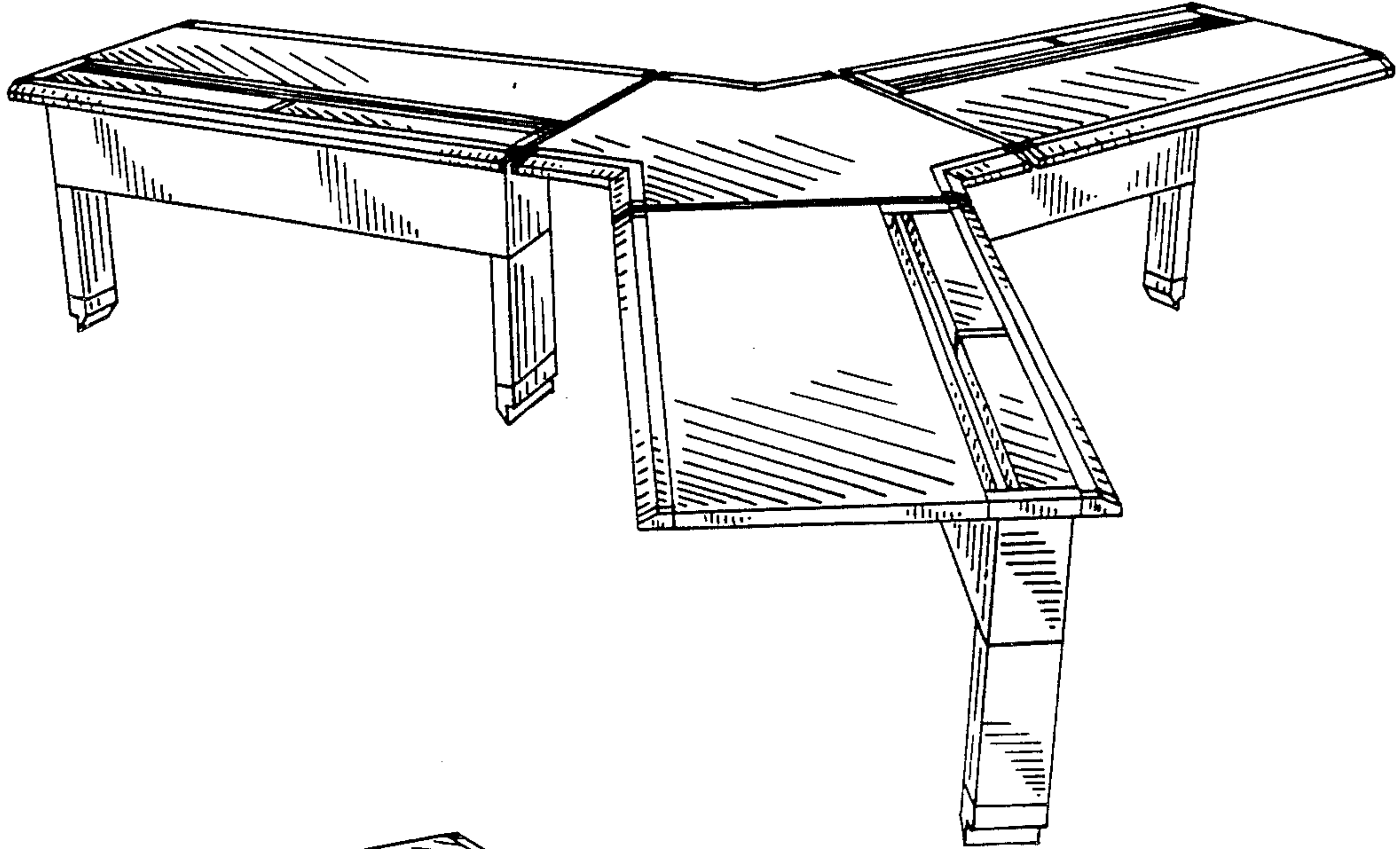


FIG. 2.

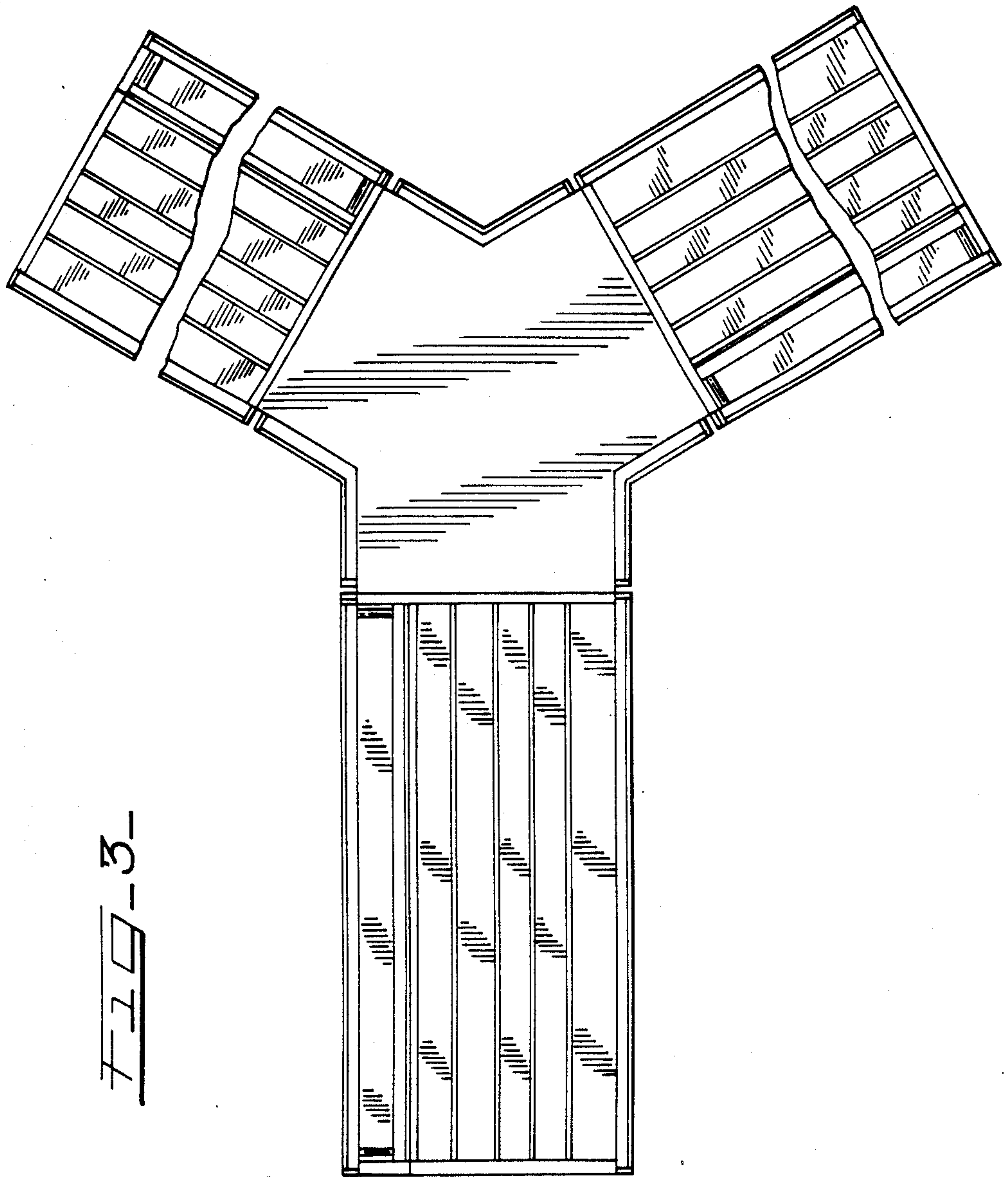


FIG-3-



FIG. 5.

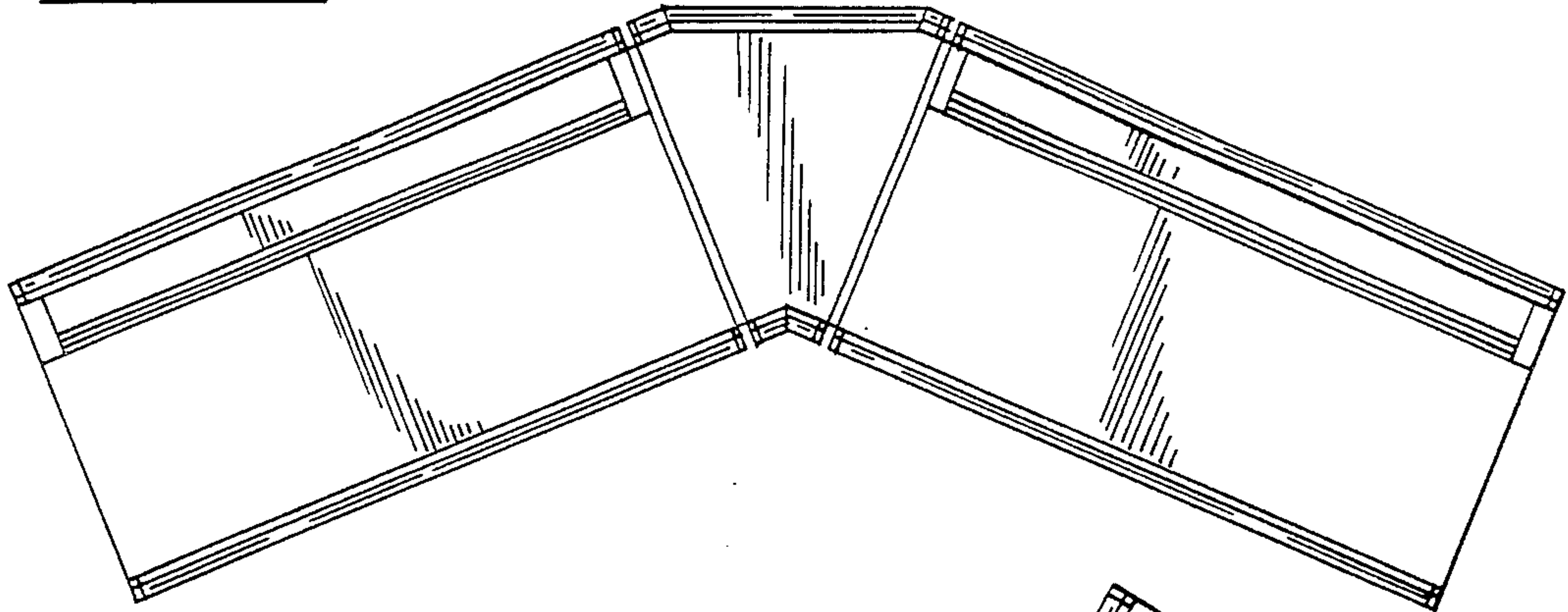


FIG. 4.

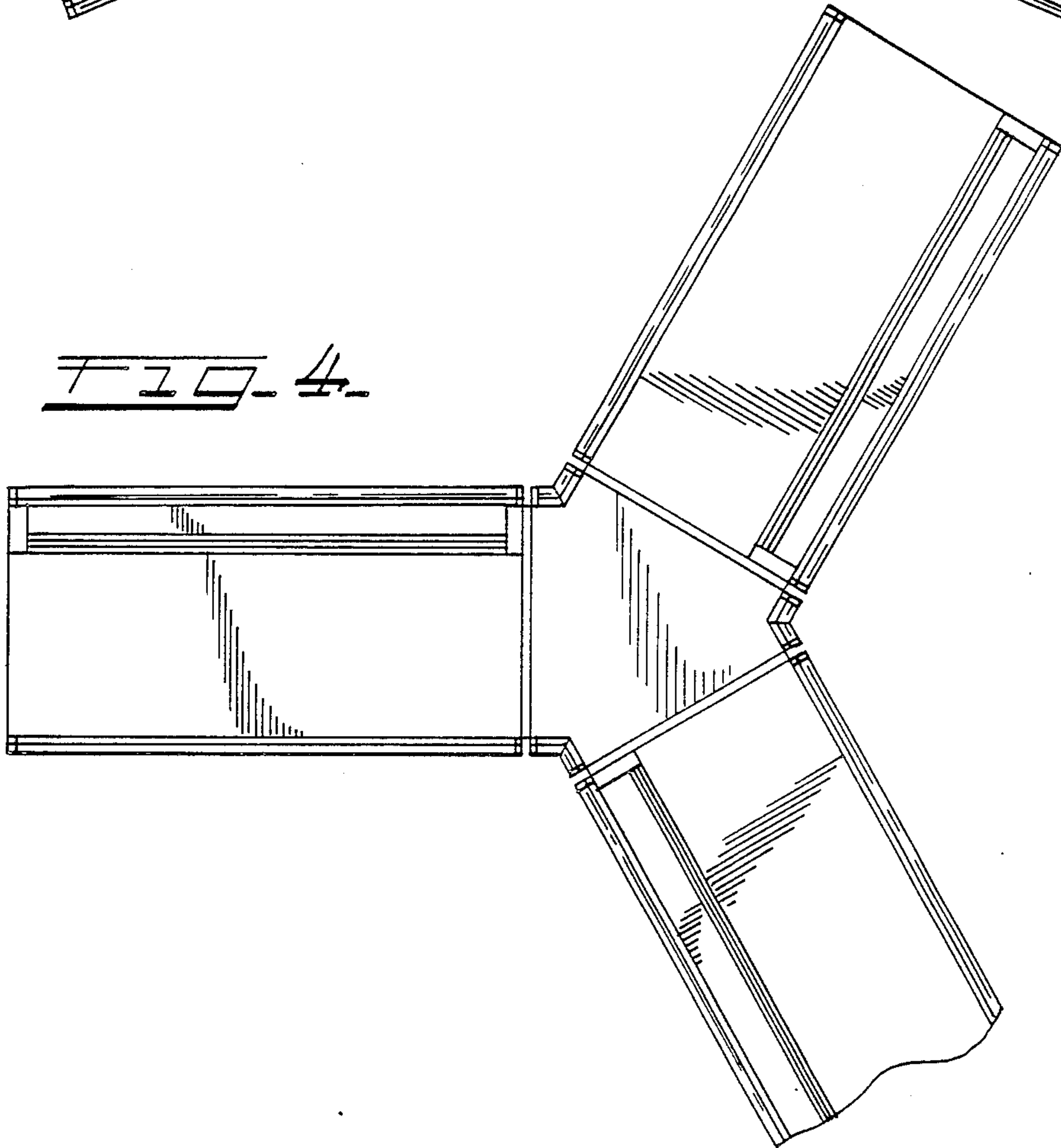


FIG-6

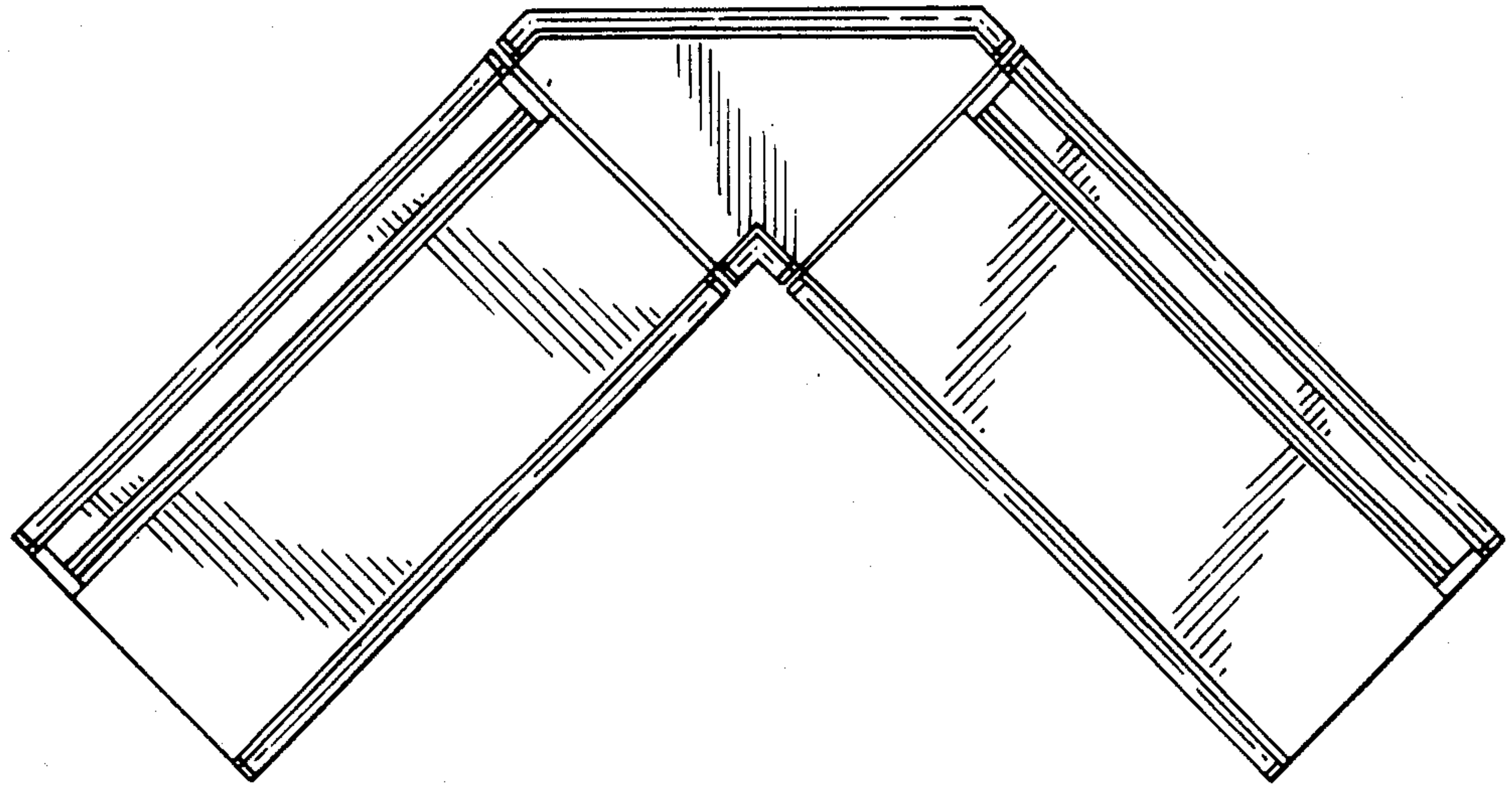
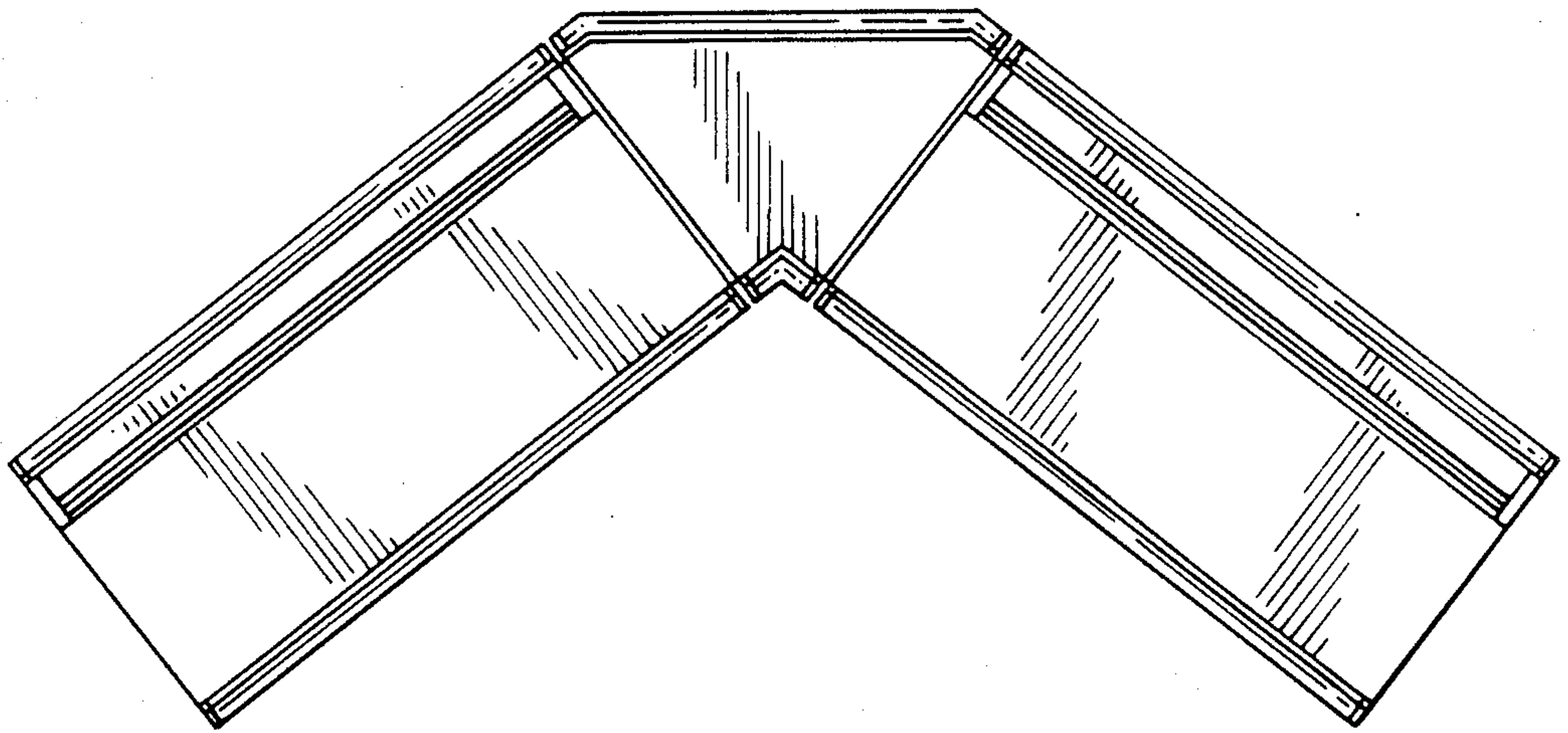


FIG-7



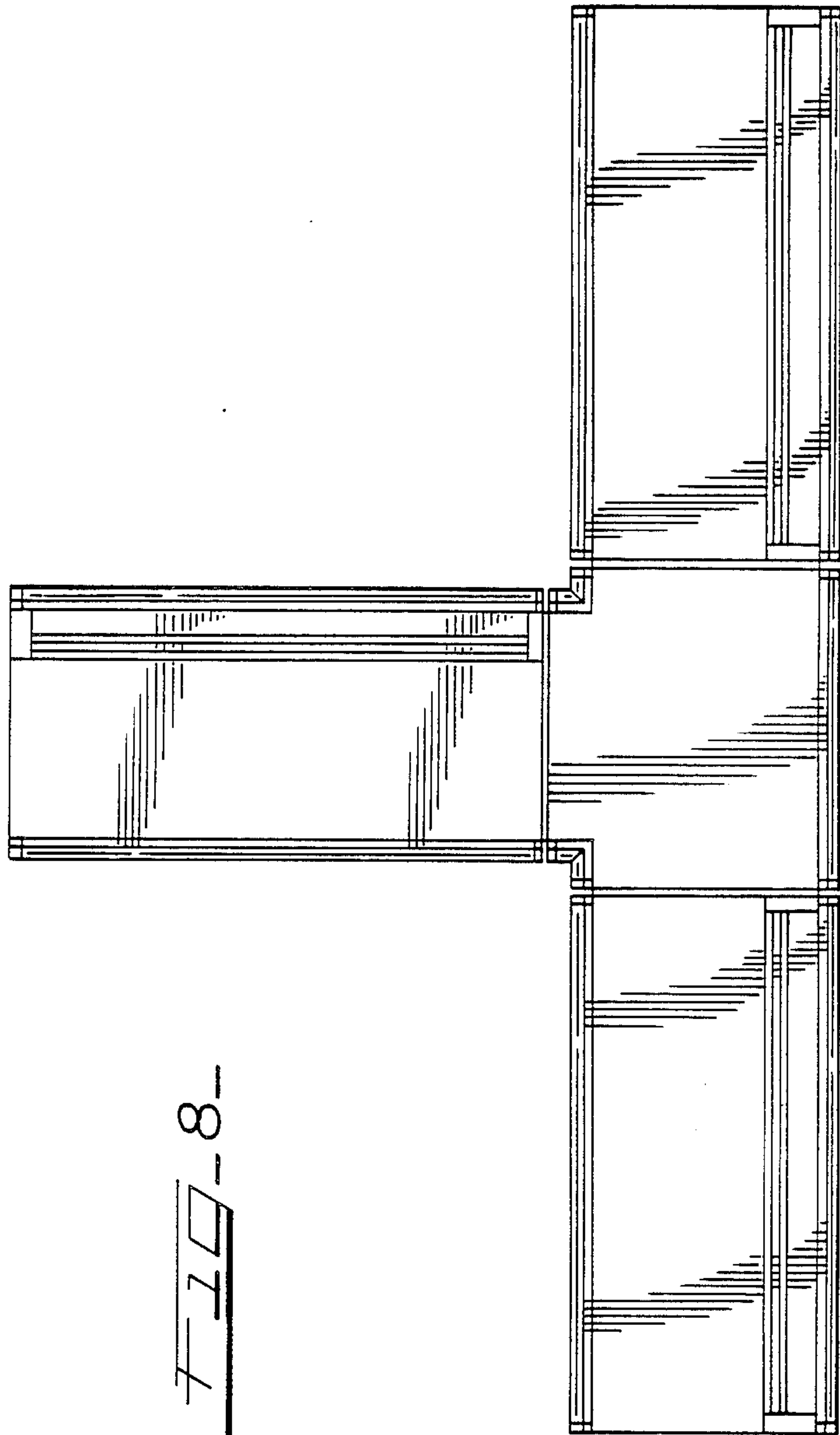


FIG. 8

FIG. 9

