

[54] CUP AND SAUCER STAND

869,996 11/1907 Timberlake 211/41

[76] Inventor: Christian B. Cadman, 309 East 24th Avenue, Vancouver, British Columbia, Canada, V5V 1Z8

OTHER PUBLICATIONS

1953 Christmas Window and Interior Jewelry Store Displays by Edwin Freed, p. 15, #20, center of page. Display Fixtures by Darling Displays Brochure #310, p. 26, item #DL201, top right on page.

[**] Term: 14 Years

Primary Examiner—Carmen H. Vales
Attorney, Agent, or Firm—Klarquist, Sparkman, Campbell, Leigh & Whinston

[21] Appl. No.: 708,598

[22] Filed: Mar. 6, 1985

[30] Foreign Application Priority Data

Sep. 21, 1984 [CA] Canada 21-09-84-7

[52] U.S. Cl. D6/466

[58] Field of Search D6/466, 467, 310; 211/40, 41; 248/146, 359 R, 359.1

[57] CLAIM

The ornamental design for a cup and saucer stand, as shown and described.

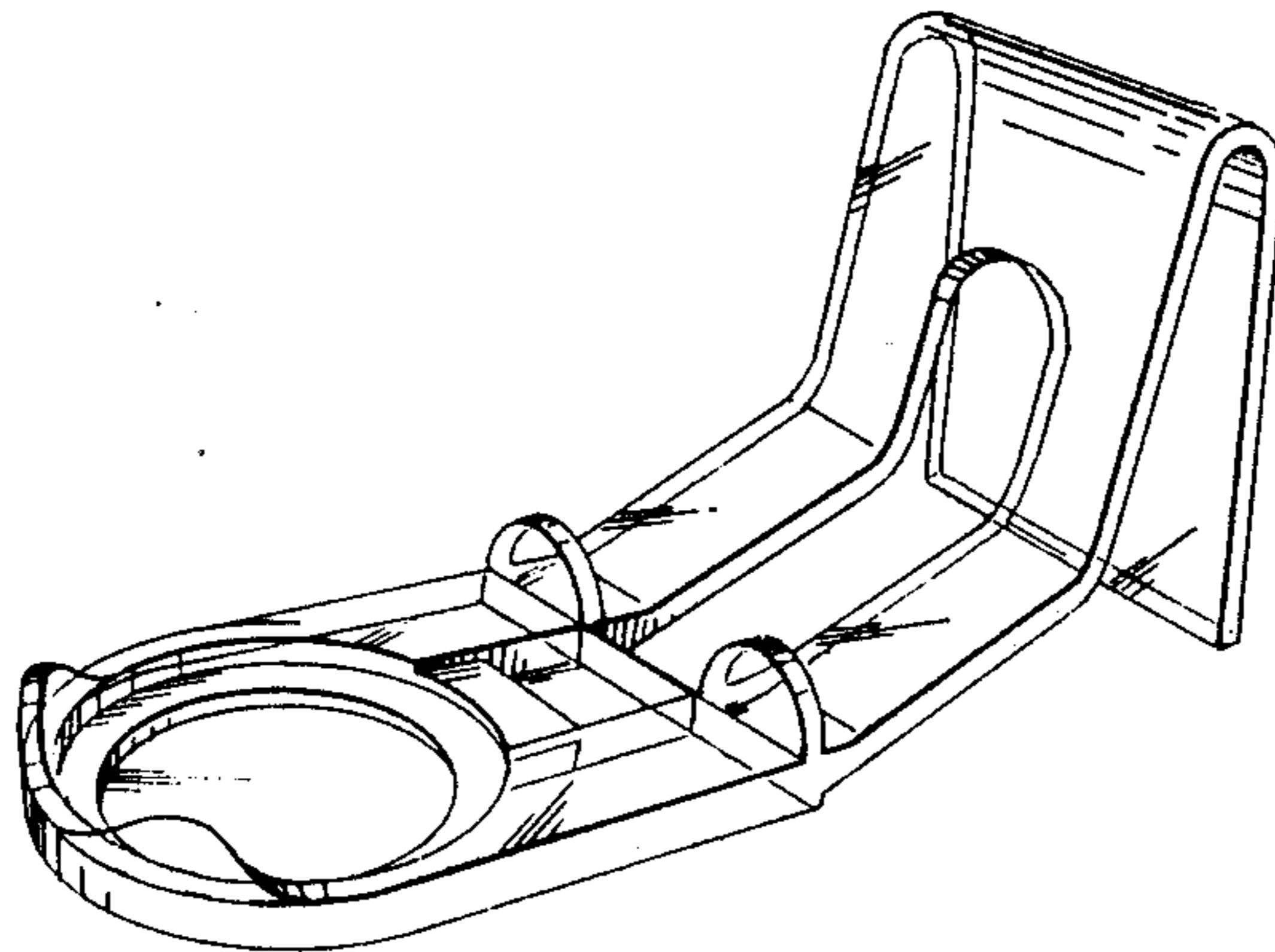
[56] References Cited

U.S. PATENT DOCUMENTS

- D. 144,735 5/1946 Richards D6/467
- D. 162,764 4/1951 Westernacher D6/466
- D. 167,203 7/1952 Grode 211/41 X
- 814,573 3/1906 Timberlake 211/41
- 869,995 11/1907 Timberlake 211/41

DESCRIPTION

FIG. 1 is a perspective view of a cup and saucer stand showing my new design;
FIG. 2 is a top plan view thereof;
FIG. 3 is a front elevational view thereof;
FIG. 4 is a right side elevational view thereof;
FIG. 5 is a rear elevational view thereof; and
FIG. 6 is a bottom plan view thereof.



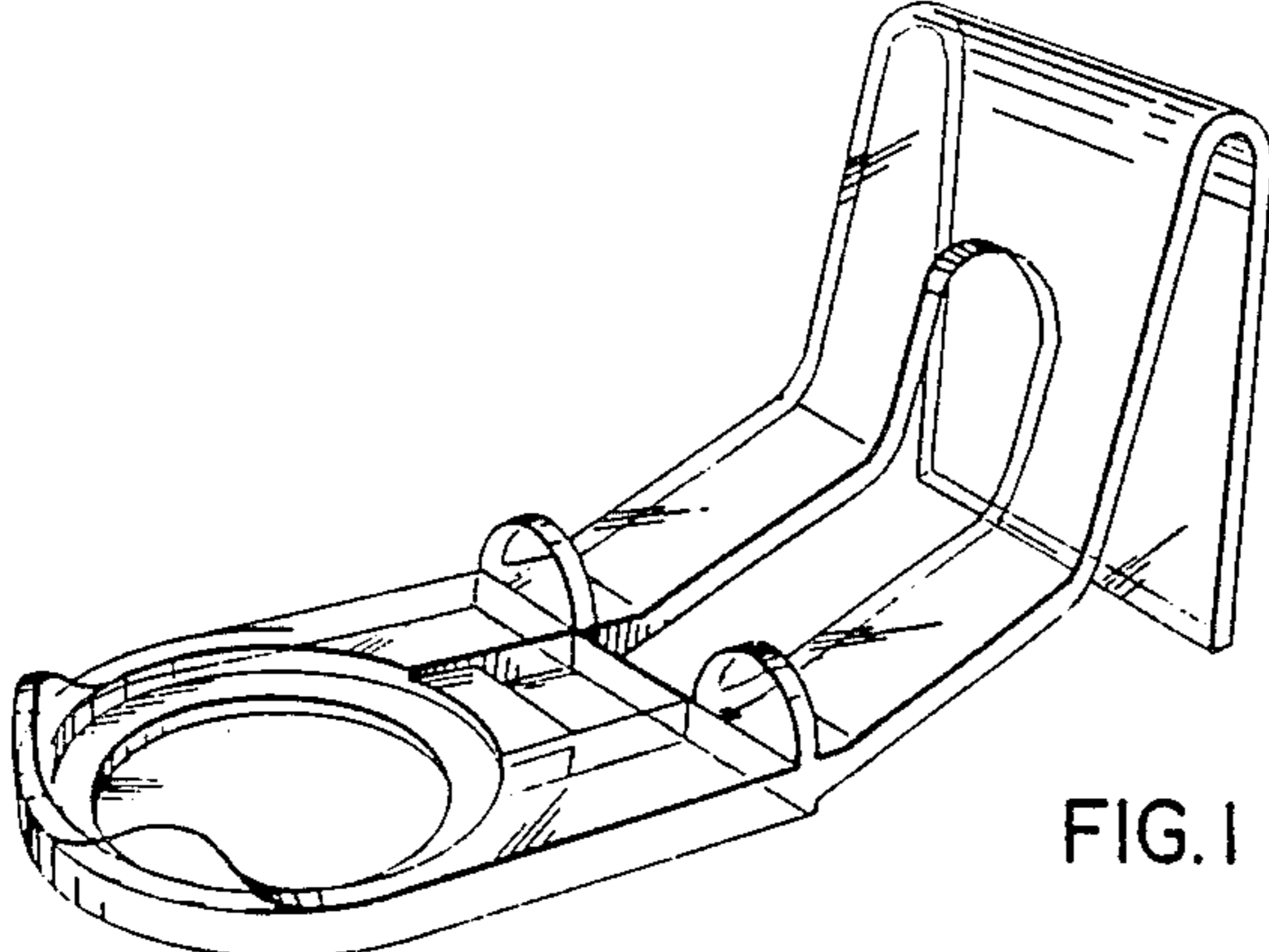


FIG. 1

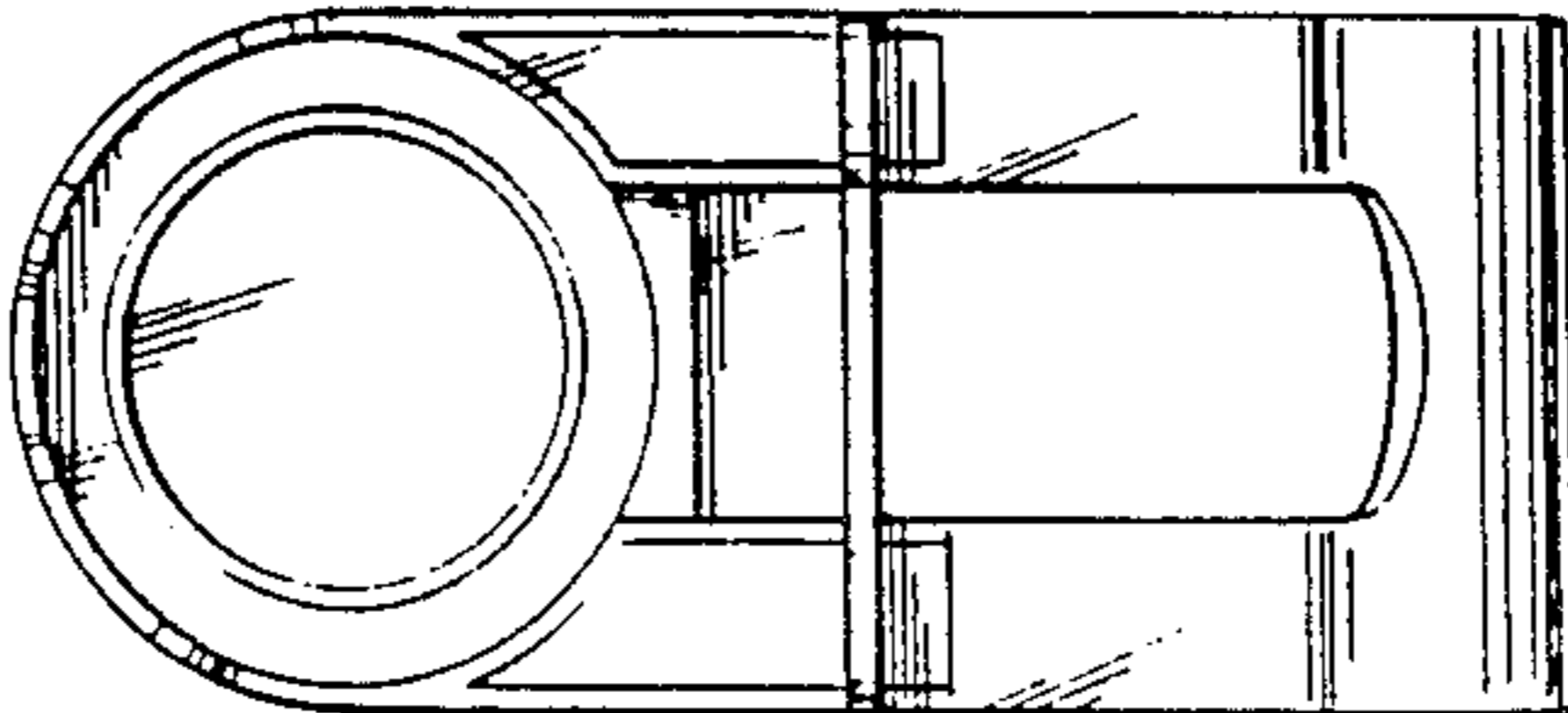


FIG. 2

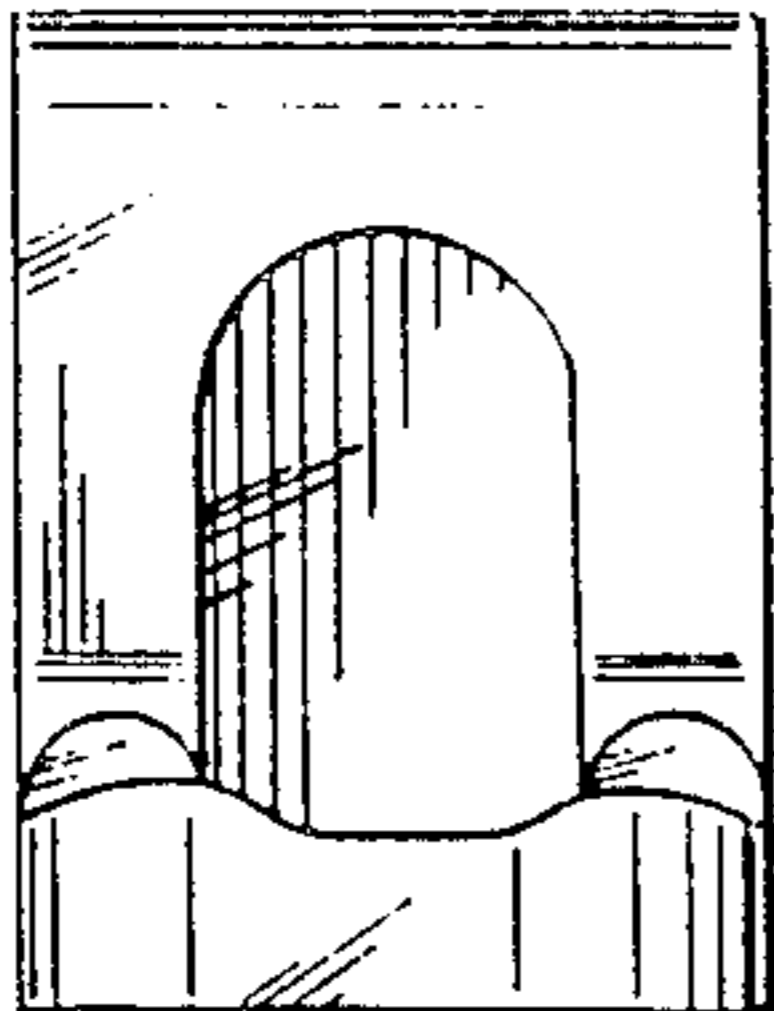


FIG. 3

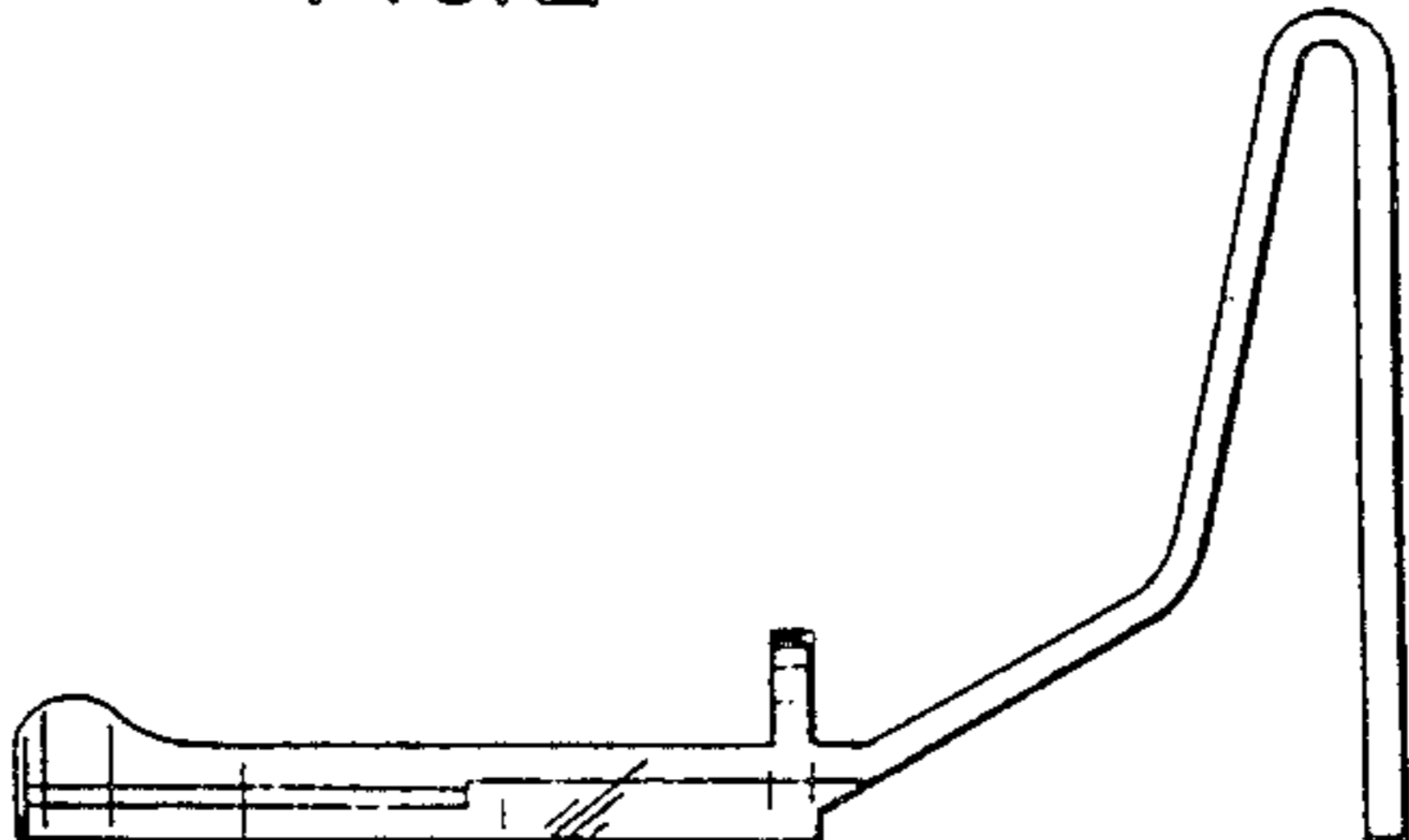


FIG. 4

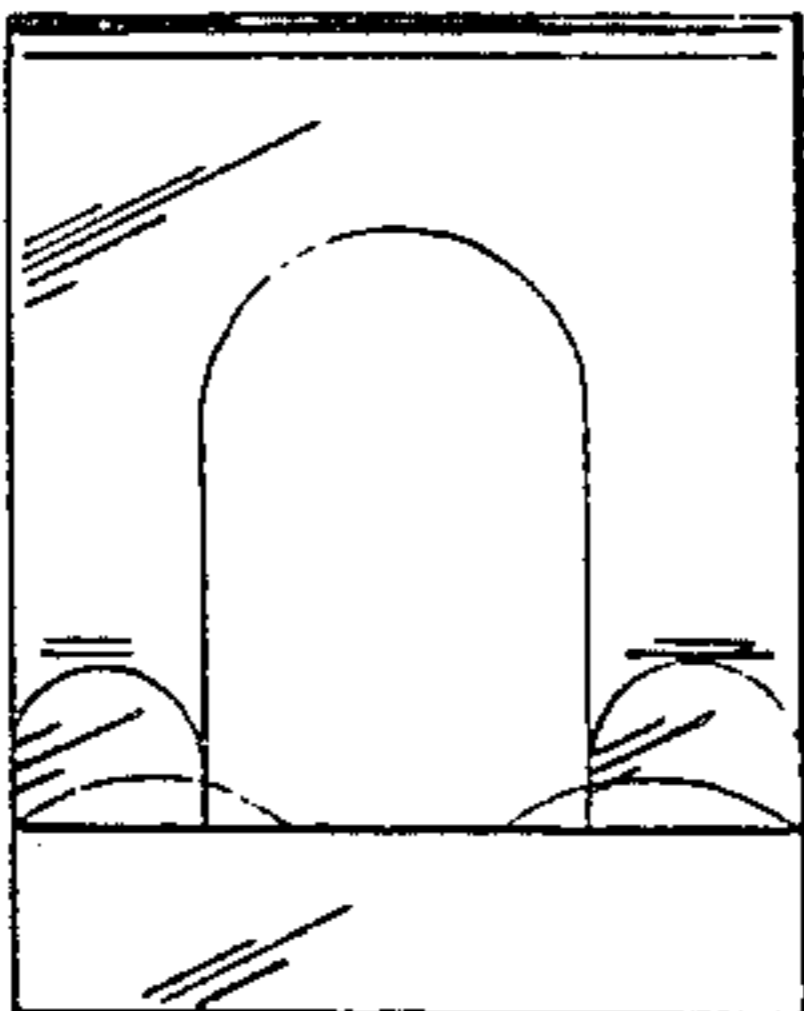


FIG. 5

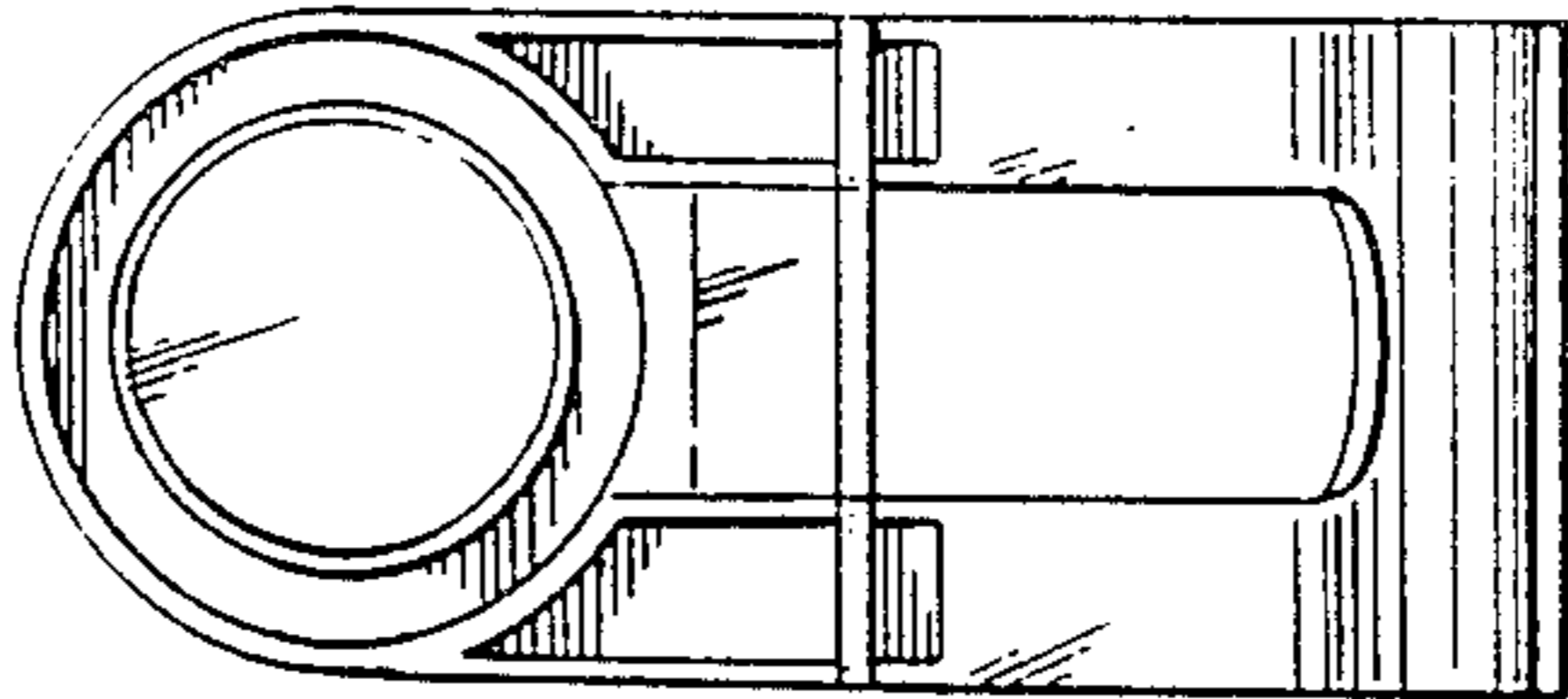


FIG. 6