

[54] COMBINATION ADJUSTABLE BOW TIE PEG BOARD AND PEGS

2,469,037 5/1949 Harvey 289/1.5
4,629,100 12/1986 Owens 223/46

[76] Inventor: Betty Owens, 3867 Gum Tree Rd., Winston-Salem, N.C. 27107

Primary Examiner—Bernard Ansher
Assistant Examiner—Terry Pfeffer
Attorney, Agent, or Firm—Don E. Ferrell

[**] Term: 14 Years

[57] CLAIM

[21] Appl. No.: 705,810

The ornamental design for combination adjustable bow tie peg board and pegs, as shown and described.

[22] Filed: Feb. 26, 1985

DESCRIPTION

[52] U.S. Cl. D3/26

[58] Field of Search D3/26, 18, 20; 428/4, 428/5; 289/1.2, 1.5, 17; 223/46, 106-109 R

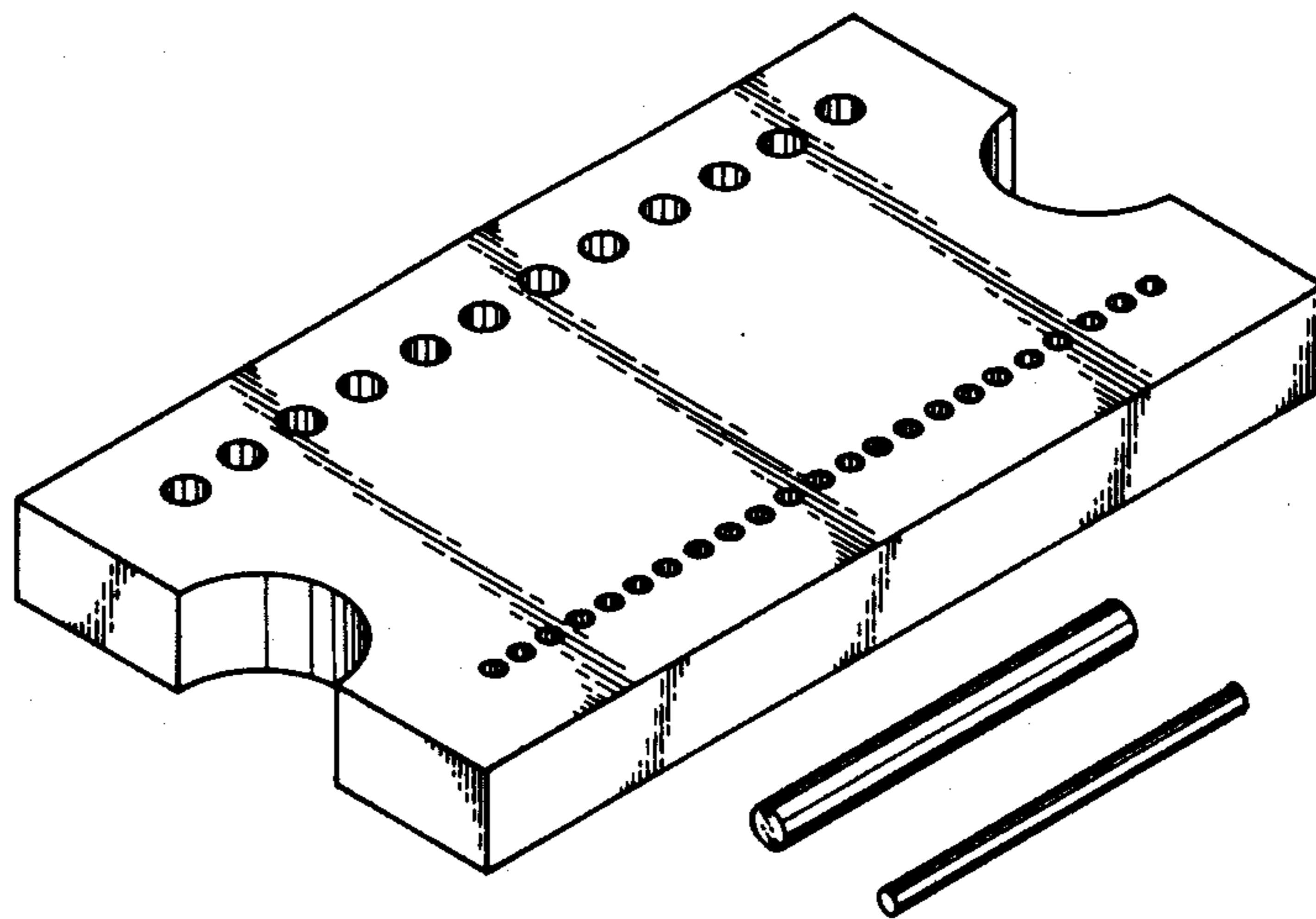
FIG. 1 is a perspective view of combination adjustable peg board and pegs for tying bows and ribbons showing my new design;

[56] References Cited

U.S. PATENT DOCUMENTS

FIG. 2 is an end elevational view thereof; and
FIG. 3 is a bottom plan view of the peg board portion only.

D. 268,969 5/1983 Stadtmiller D3/23



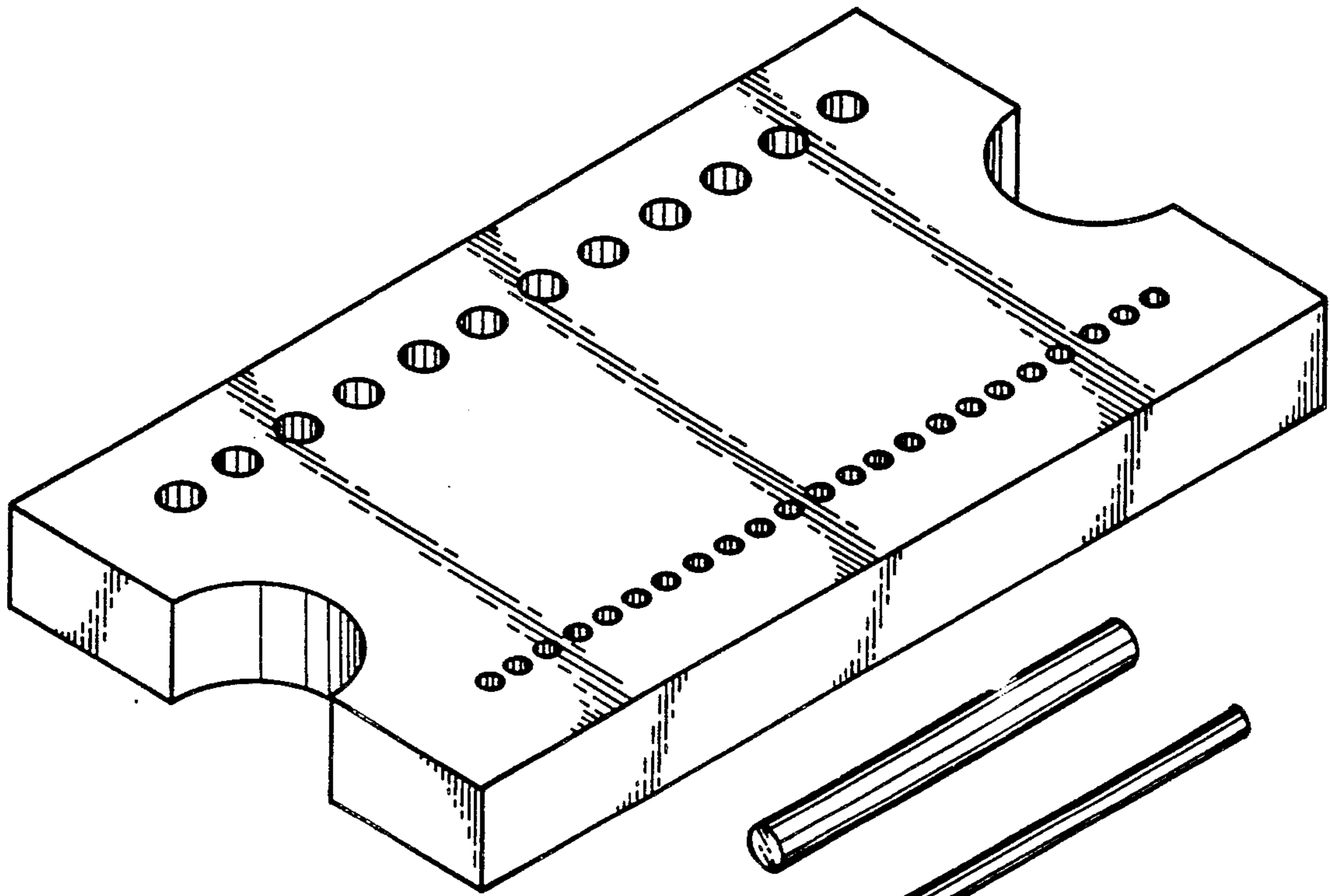


Fig. 1



Fig. 2

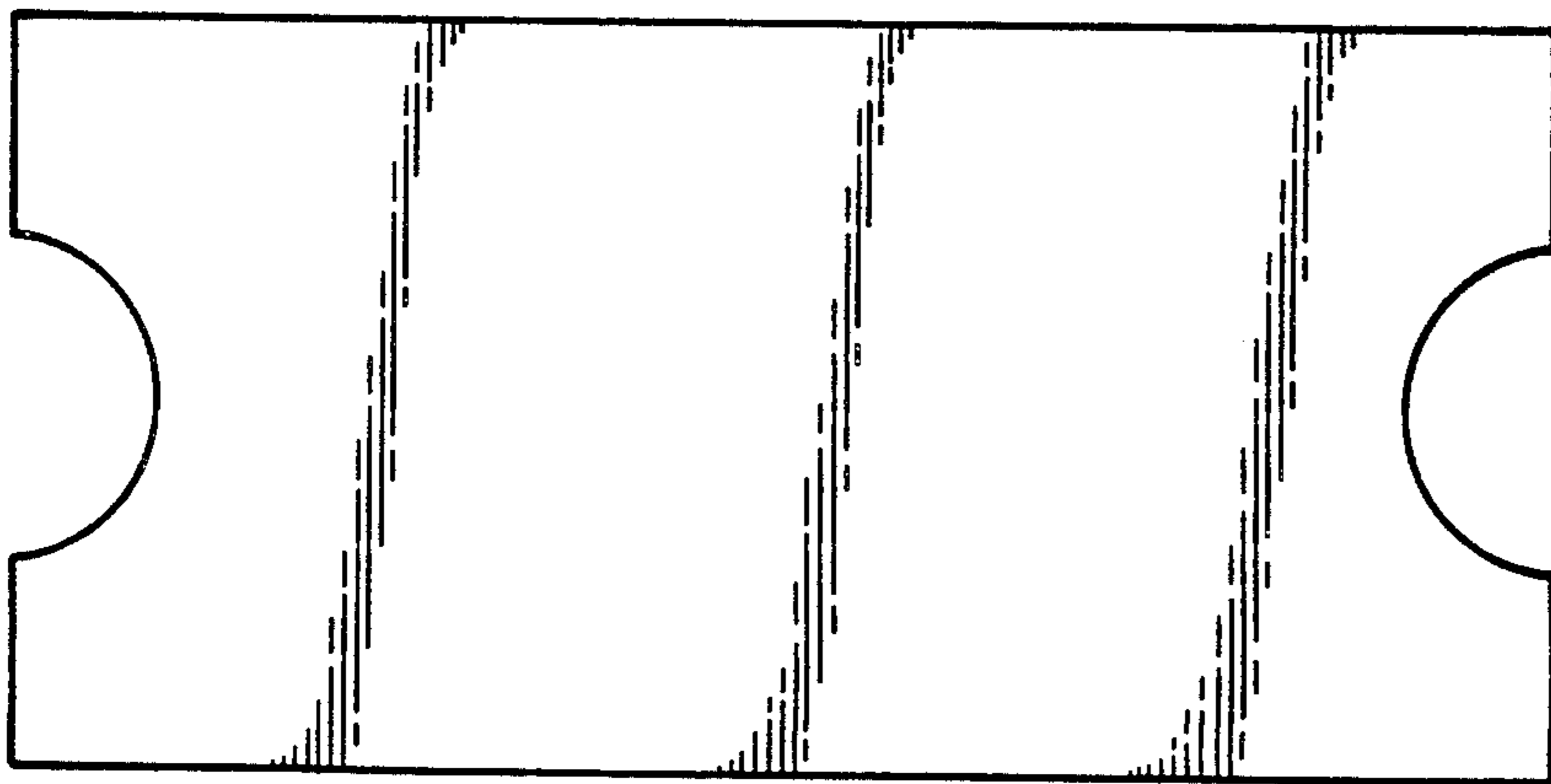


Fig. 3