

[54] CARPET SCRAPER

[76] Inventor: Steve Phillips, 910 Wildwood Rd., Mahtomedi, Minn. 55115

[**] Term: 14 Years

[21] Appl. No.: 725,748

[22] Filed: Apr. 22, 1985

[52] U.S. Cl. D32/49

[58] Field of Search D32/40, 42, 46, 49; 15/236, 245; 30/169, 171

[56] References Cited

U.S. PATENT DOCUMENTS

D. 279,415	6/1985	Osrow et al.	D32/49
701,503	6/1902	Plummer	15/236 R
1,377,484	5/1921	Huneryager	15/236 R
1,458,171	6/1923	Donaldson	15/236 R
1,541,088	6/1925	Whitenack	15/245

OTHER PUBLICATIONS

Undated photograph of a carpet scraper submitted by applicant.

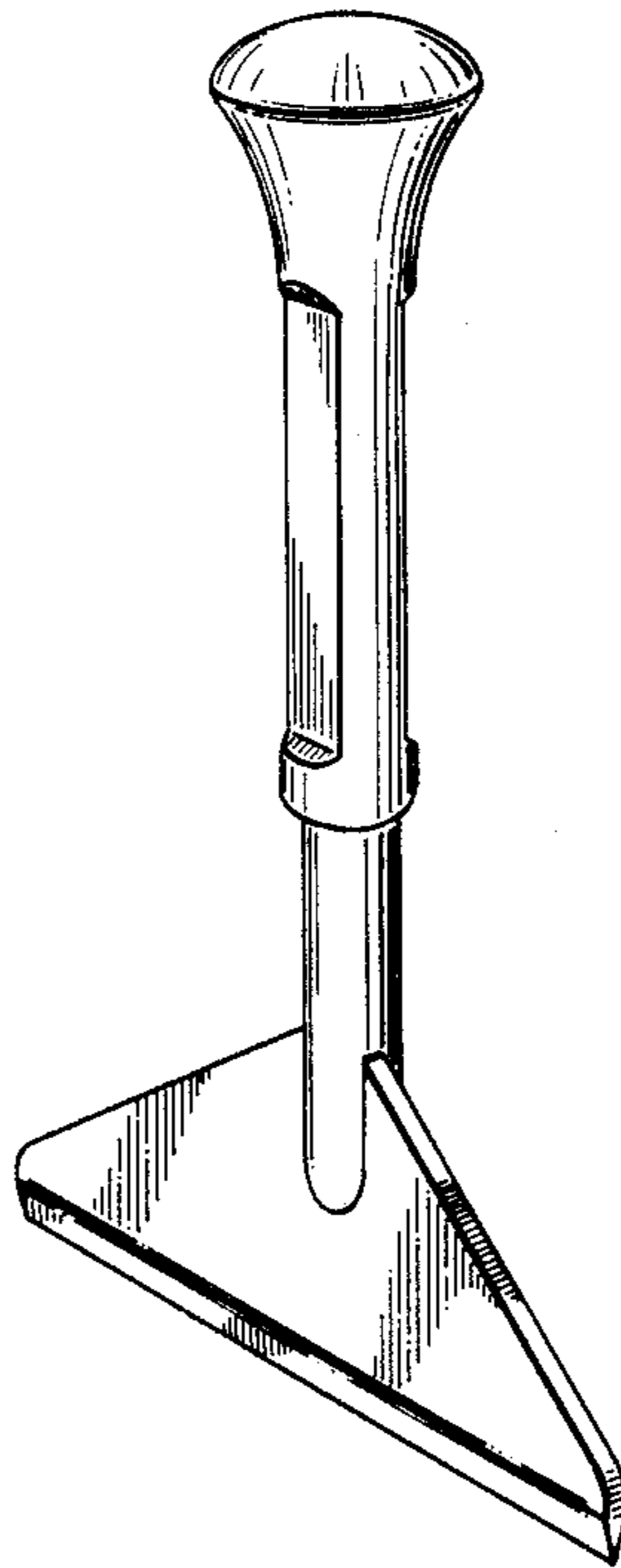
Primary Examiner—Catherine E. Kemper
Attorney, Agent, or Firm—Schroeder & Siegfried

[57] CLAIM

The ornamental design for a carpet scraper, as shown and described.

DESCRIPTION

FIG. 1 is a perspective view of a carpet scraper, showing my new design;
FIG. 2 is a side elevational view, the opposite side being a mirror image thereof;
FIG. 3 is a front elevational view, the rear elevation being a mirror image thereof;
FIG. 4 is a top plan view thereof;
FIG. 5 is a bottom plan view thereof.



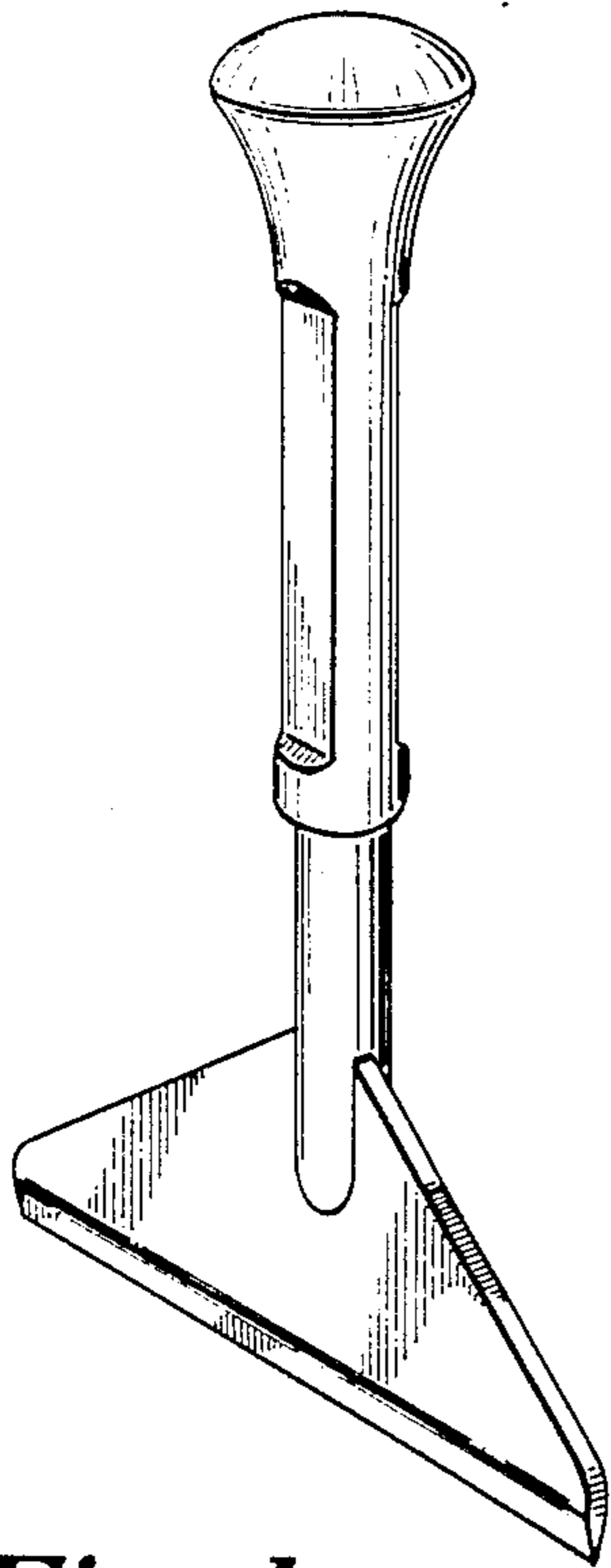


Fig. 1

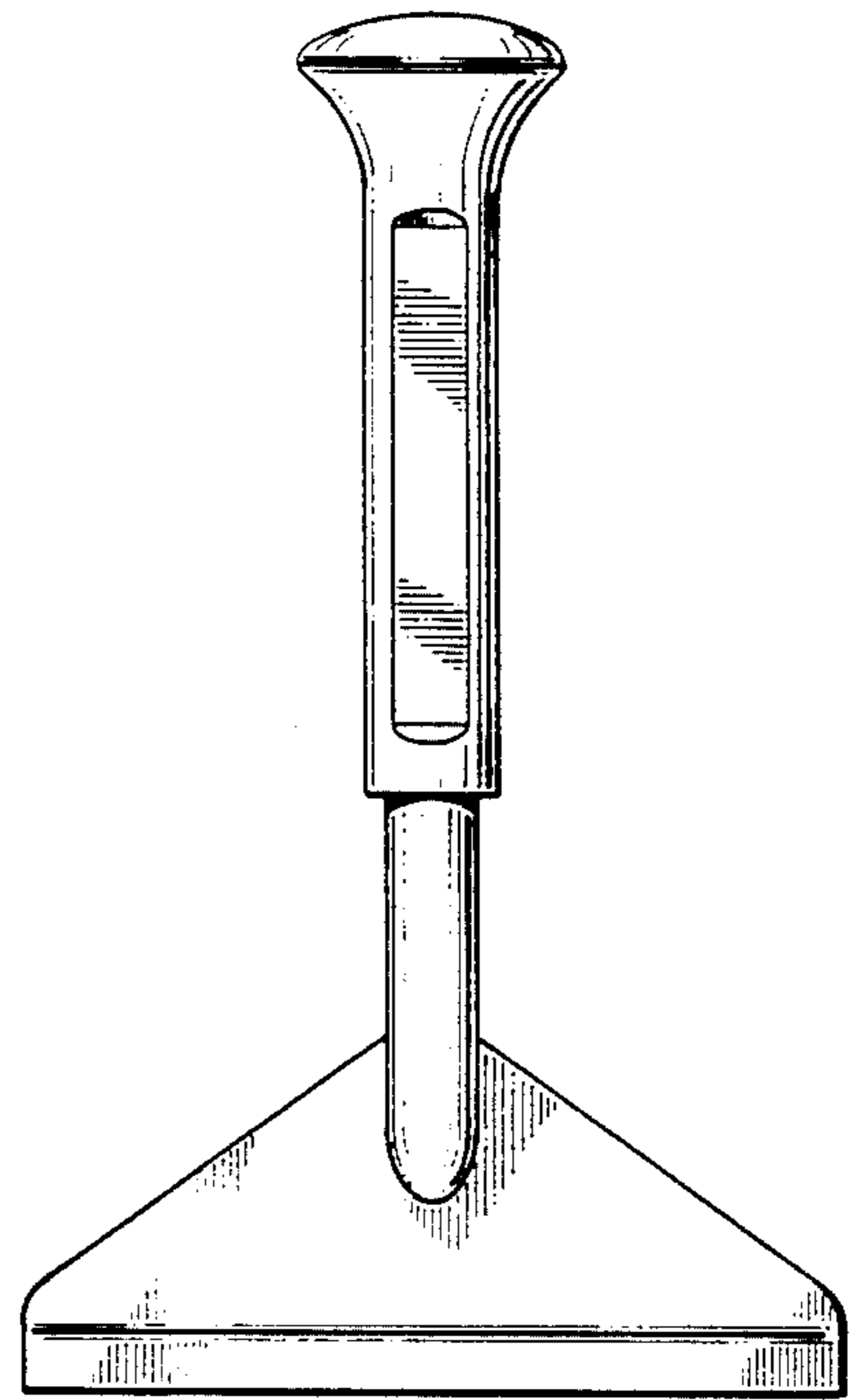


Fig. 3

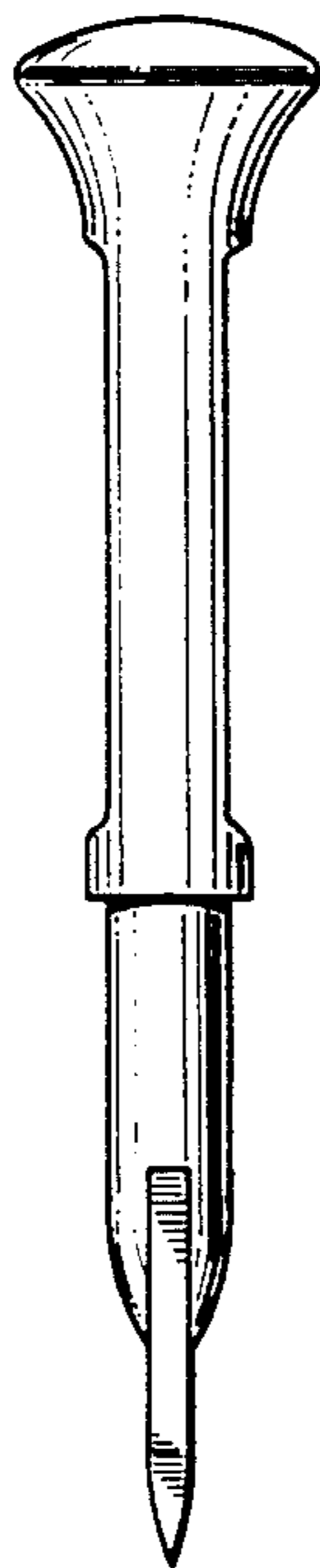


Fig. 2

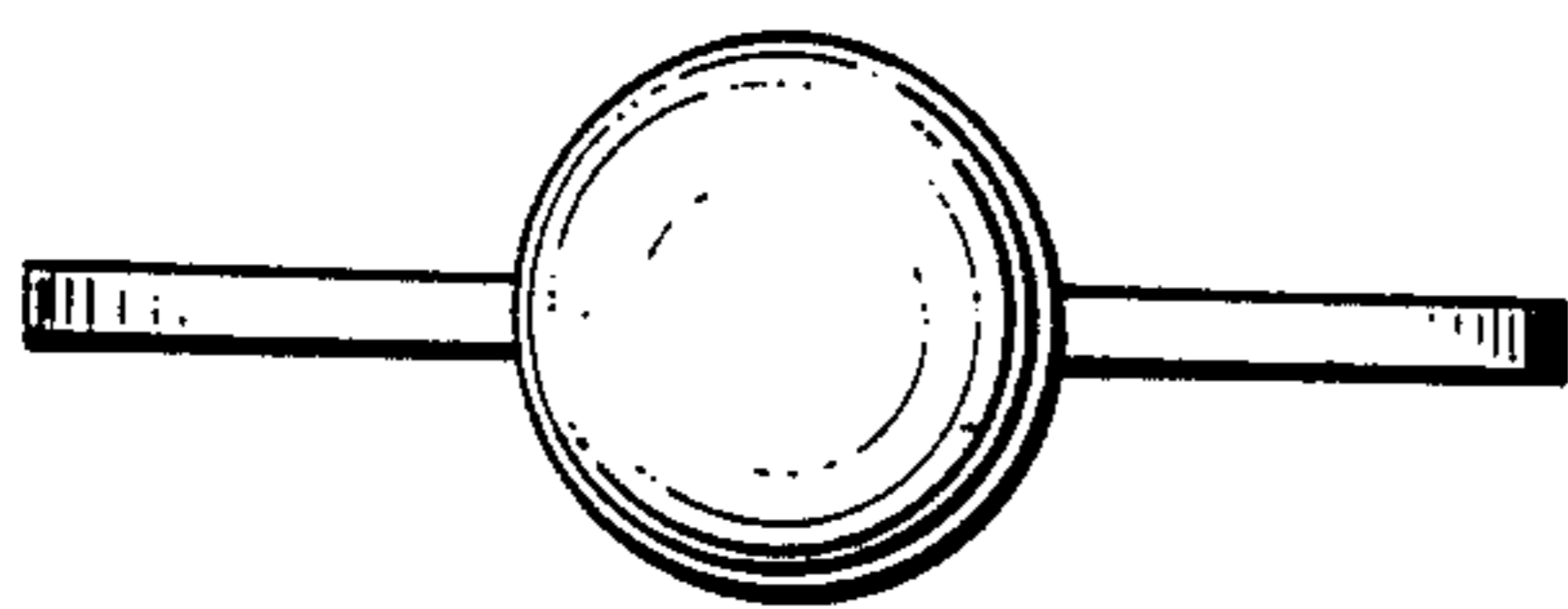


Fig. 4

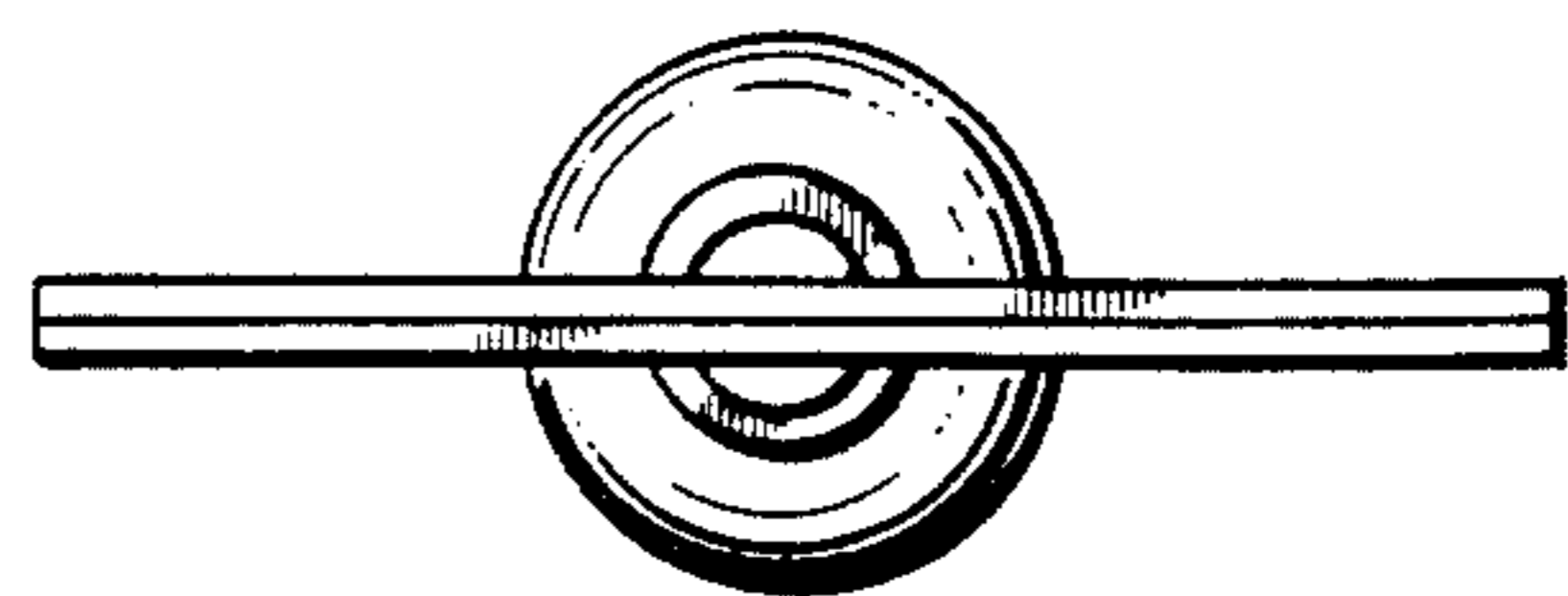


Fig. 5