

[54] RECHARGEABLE FLASHLIGHT

[56] References Cited

[75] Inventor: Tse T. Tung, New Territories, Hong Kong

- U.S. PATENT DOCUMENTS
- D. 256,278 8/1980 Wong et al. .... D26/48
  - D. 280,936 10/1985 Dinsmore et al. .... D26/48
  - D. 283,254 4/1986 Fenne ..... D26/48
  - 3,252,733 5/1966 Moore et al. .... D26/48 X

[73] Assignee: Motor Electric Manufacturing Co., Ltd., Kwai Chung, Hong Kong

Primary Examiner—Susan J. Lucas  
Attorney, Agent, or Firm—Fulwider, Patton, Rieber, Lee & Utecht

[\*\*] Term: 14 Years

[57] CLAIM

[21] Appl. No.: 721,065

The ornamental design for a rechargeable flashlight, substantially as shown and described.

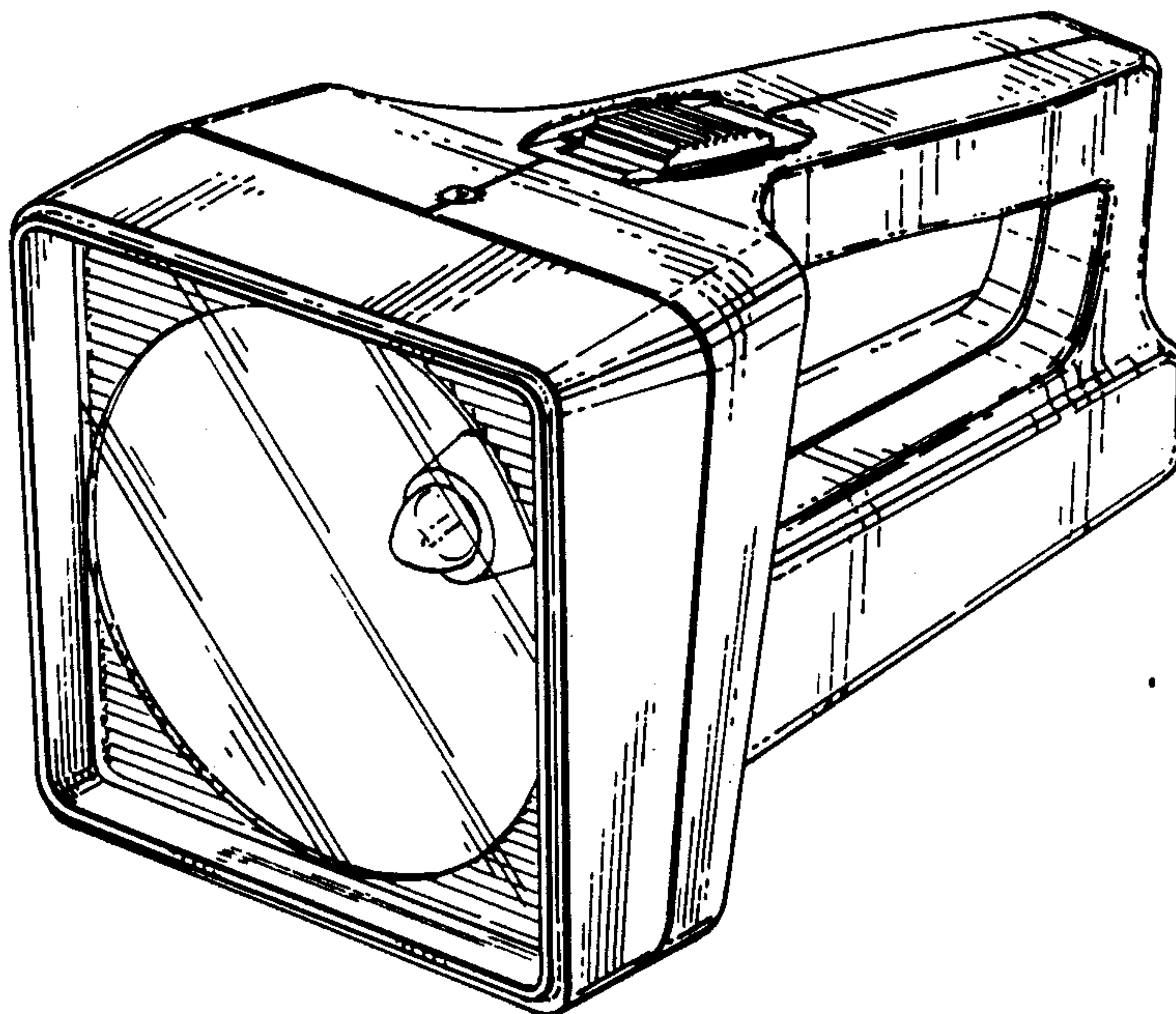
[22] Filed: Apr. 8, 1985

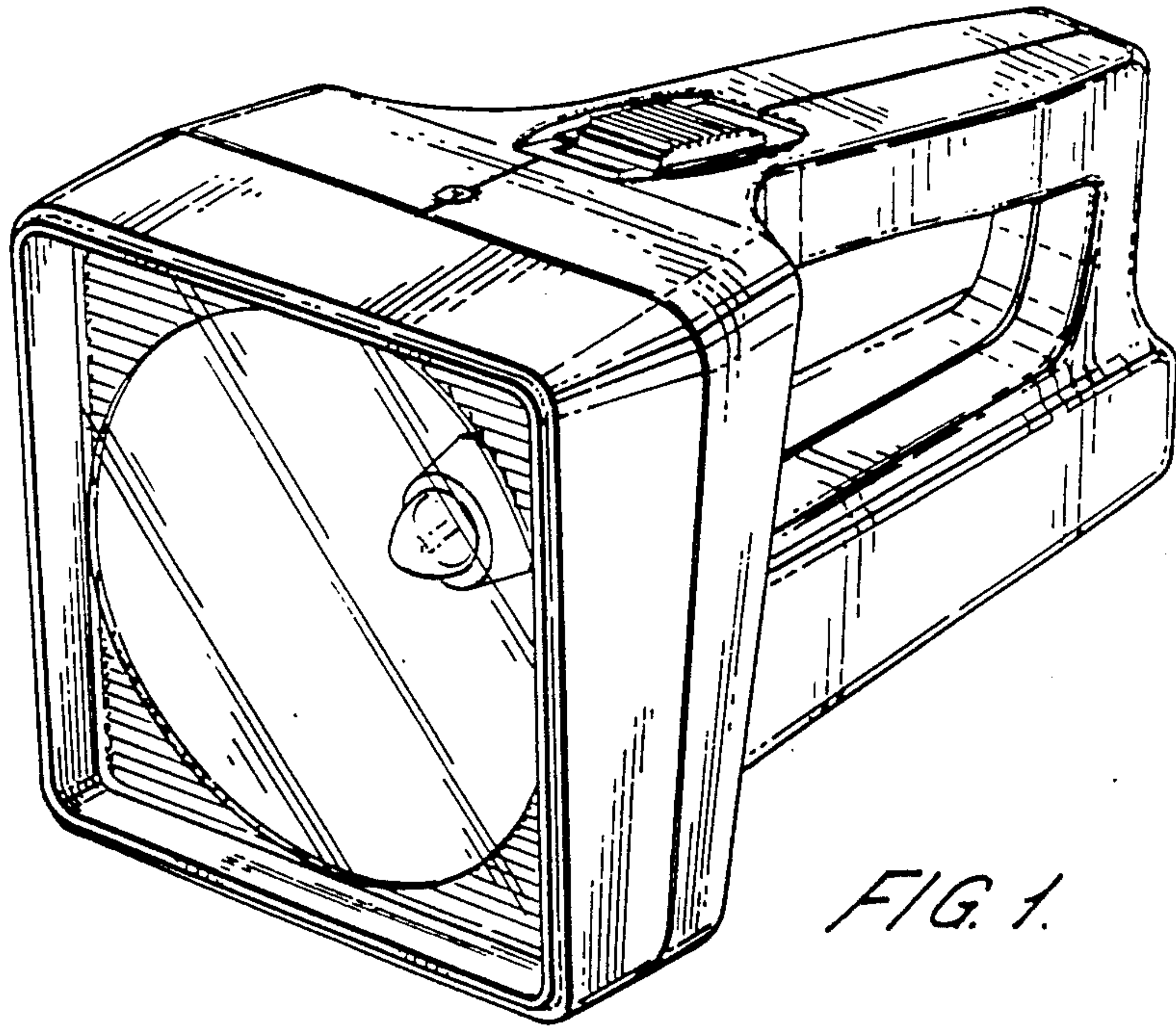
DESCRIPTION

[30] Foreign Application Priority Data

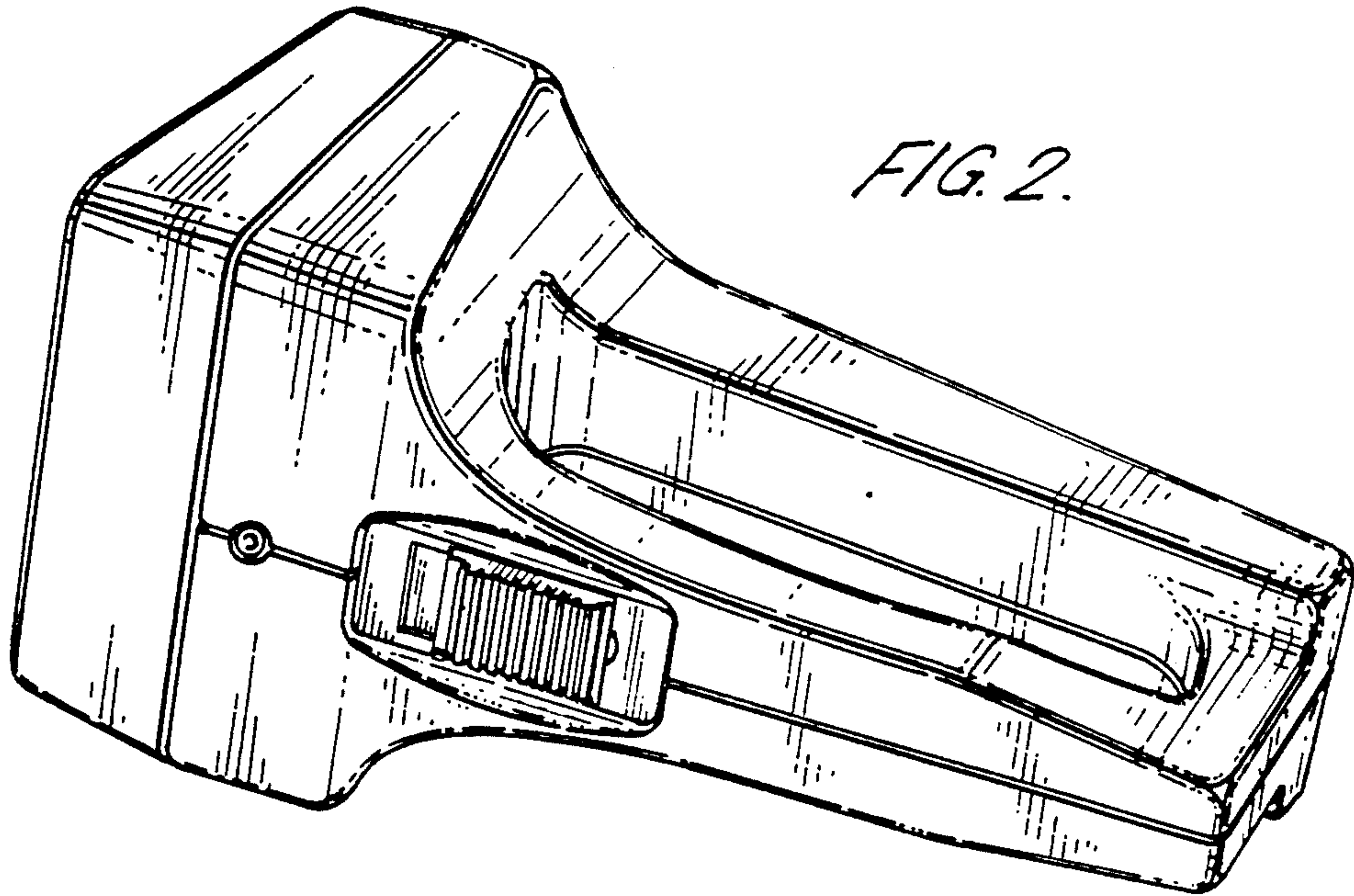
- Dec. 4, 1984 [GB] United Kingdom ..... 1023697
- [52] U.S. Cl. .... D26/48
- [58] Field of Search ..... D26/37-50;  
362/157, 158, 183-191, 194-205

FIG. 1 is a top, front and side perspective view of a rechargeable flashlight showing my new design;  
 FIG. 2 is a top, rear and opposite side perspective view thereof;  
 FIG. 3 is a bottom, rear and side perspective view thereof;  
 FIG. 4 is a bottom, rear and opposite side perspective view thereof in condition for charging.





*FIG. 1.*



*FIG. 2.*



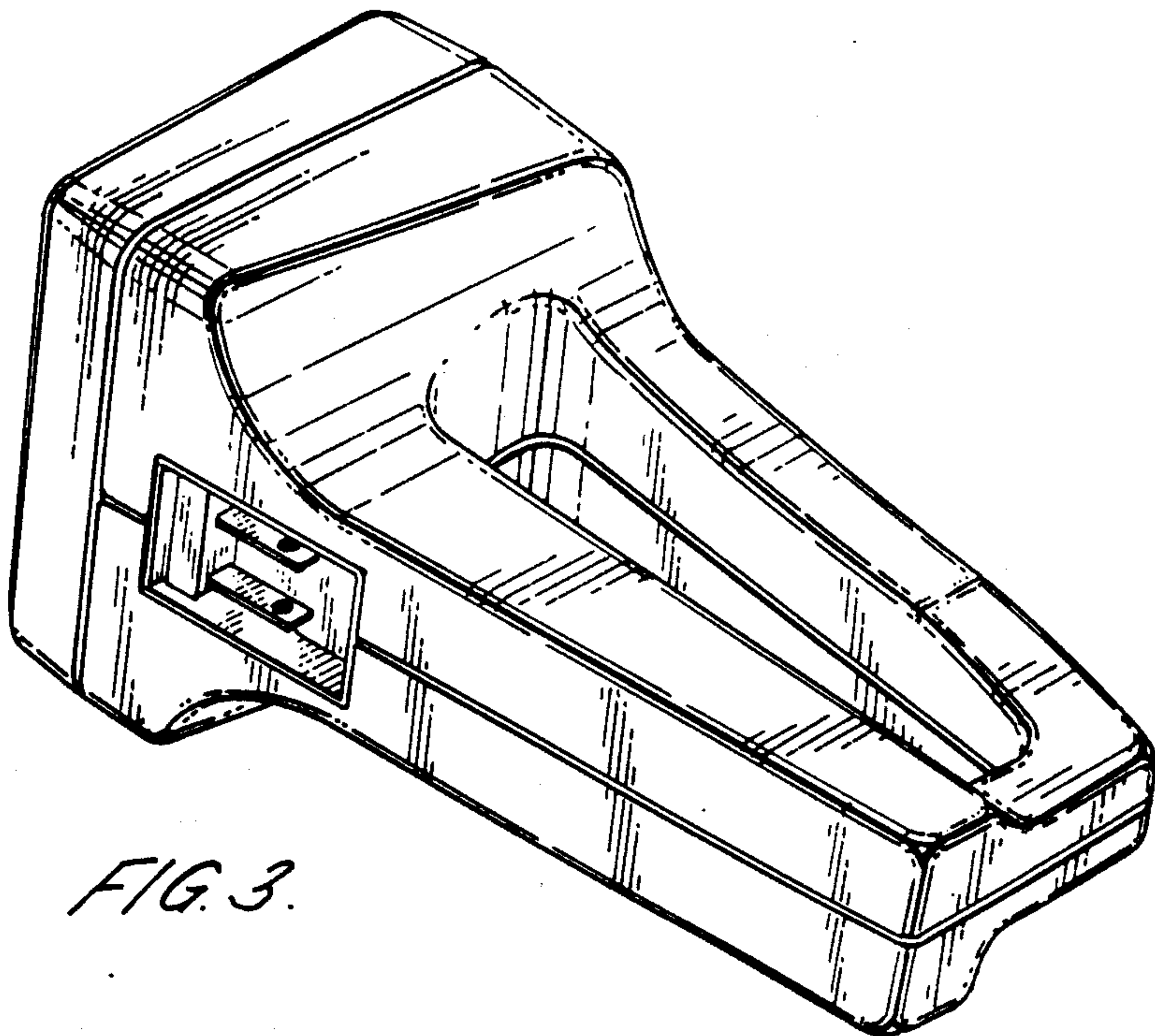


FIG. 3.

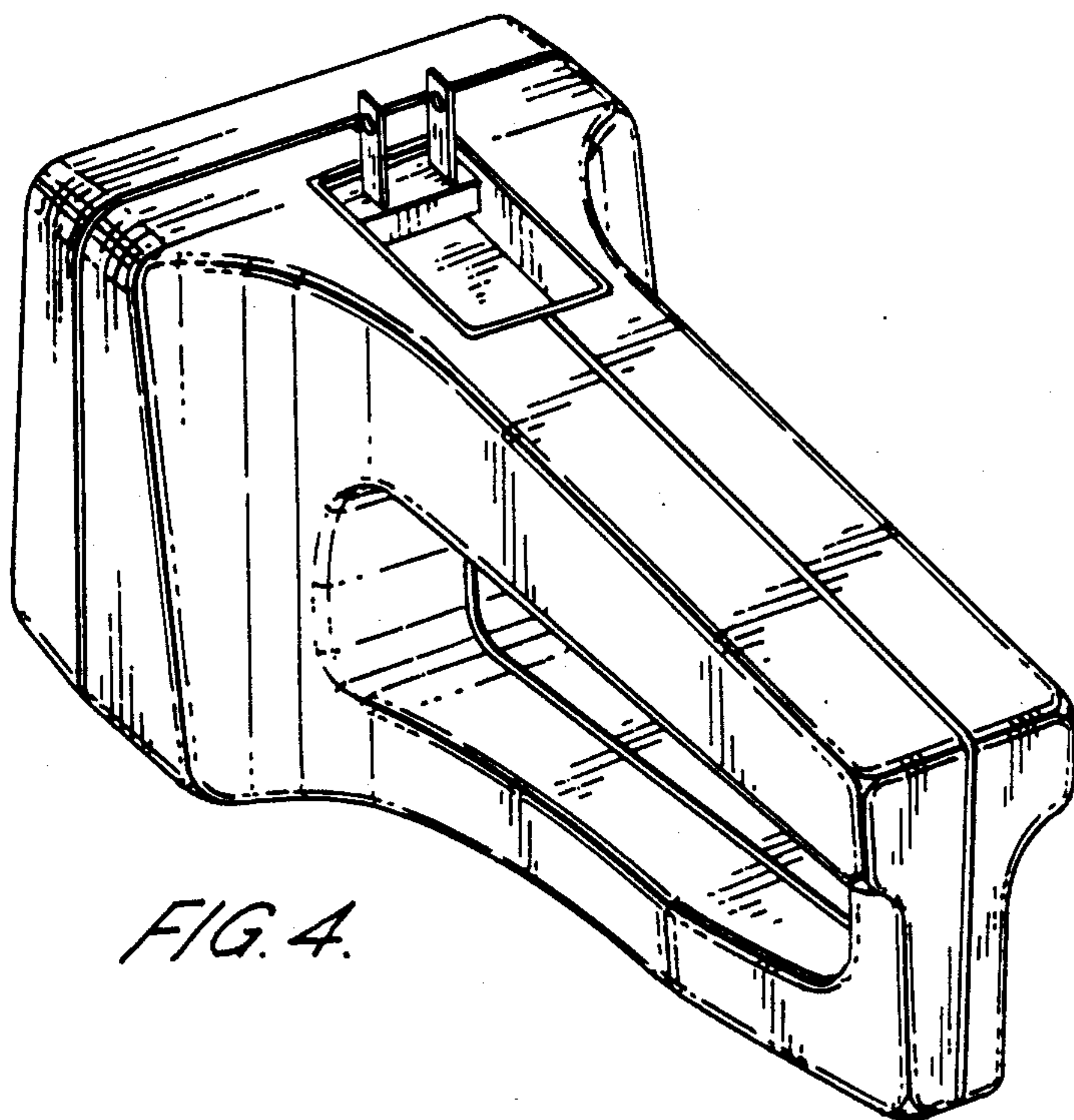


FIG. 4.