

[54] LUMINAIRE

[56] References Cited

[76] Inventor: Anthony J. Michael, 4205 Adobe Dr., Tallahassee, Fla. 32303

U.S. PATENT DOCUMENTS

D. 43,646	2/1918	Ryan	.....	D26/88
D. 98,105	1/1936	Arenberg	.....	D26/85 X
D. 222,103	9/1971	Anderson, Jr.	.....	D26/85
2,517,478	8/1950	Griffin	.....	D26/89 X
4,404,620	9/1983	Takahashi et al.	.....	362/346 X

[\*\*] Term: 14 Years

Primary Examiner—Susan J. Lucas  
Attorney, Agent, or Firm—Krass & Young

[21] Appl. No.: 666,160

[57] CLAIM

The ornamental design for a luminaire, substantially as shown and described.

[22] Filed: Oct. 29, 1984

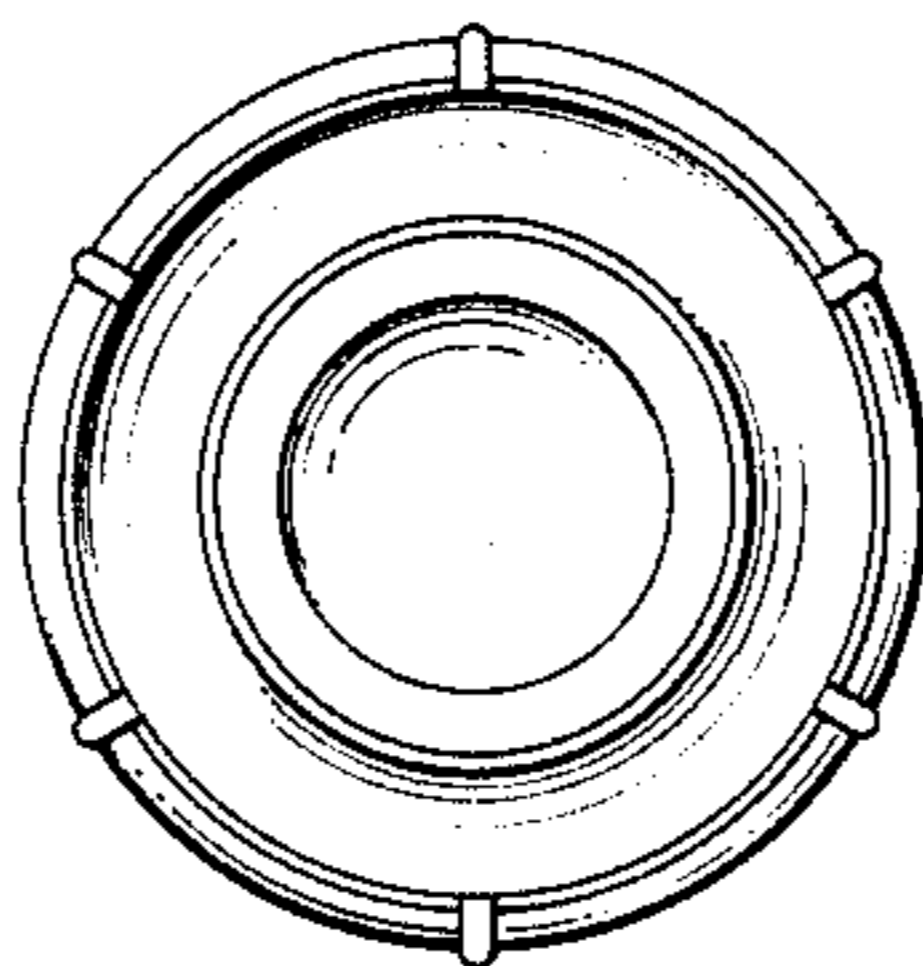
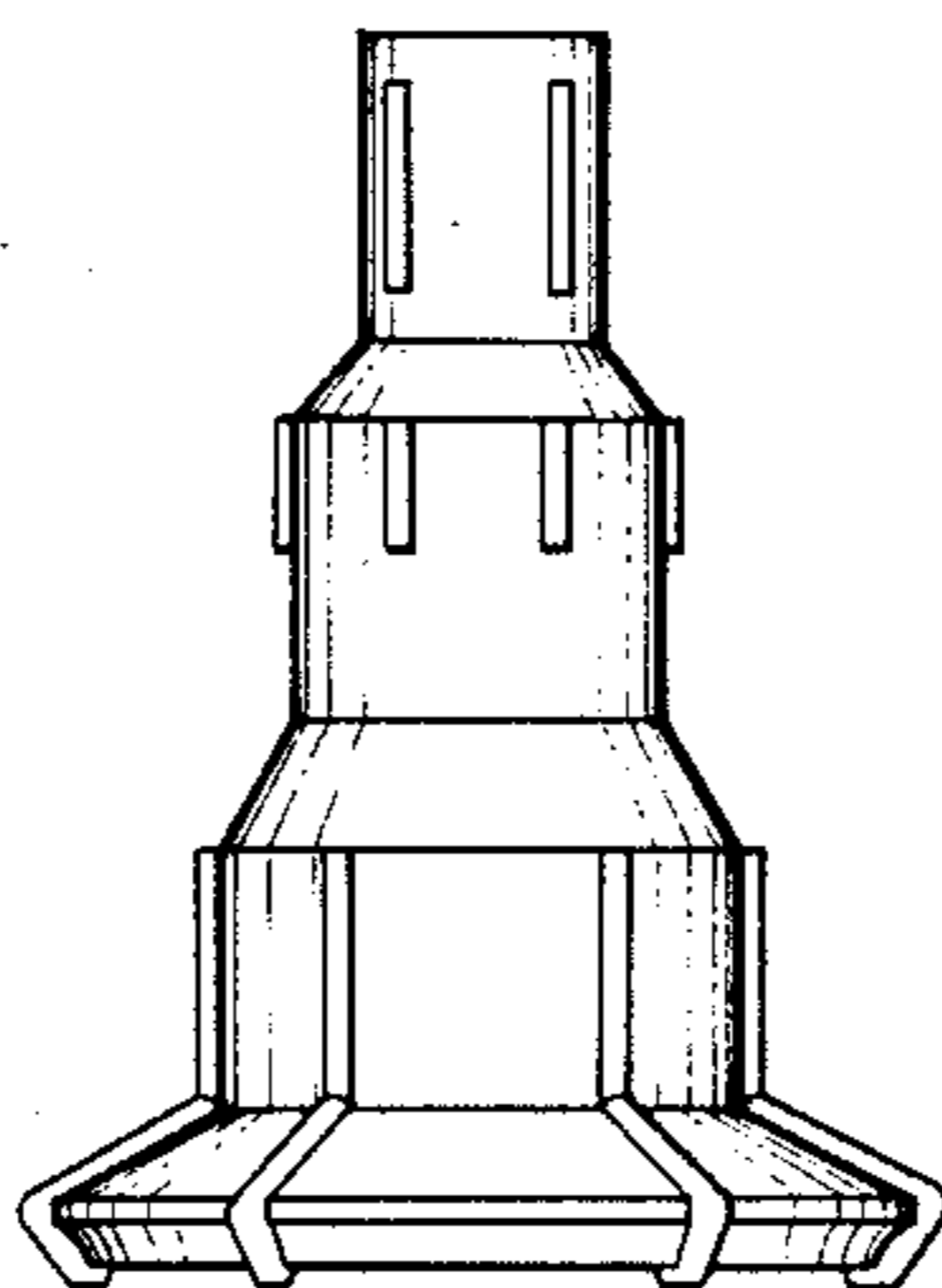
DESCRIPTION

[52] U.S. Cl. .... D26/24; D26/72; D26/129

FIG. 1 is a perspective view of a luminaire showing my new design;

[58] Field of Search ..... D26/72, 74, 75, 80-92, D26/128-137, 24; 362/310, 311, 362, 408, 404, 341, 346, 347, 350, 307

FIG. 2 is an elevational view thereof;  
FIG. 3 is a top plan view thereof; and  
FIG. 4 is a bottom plan view thereof.



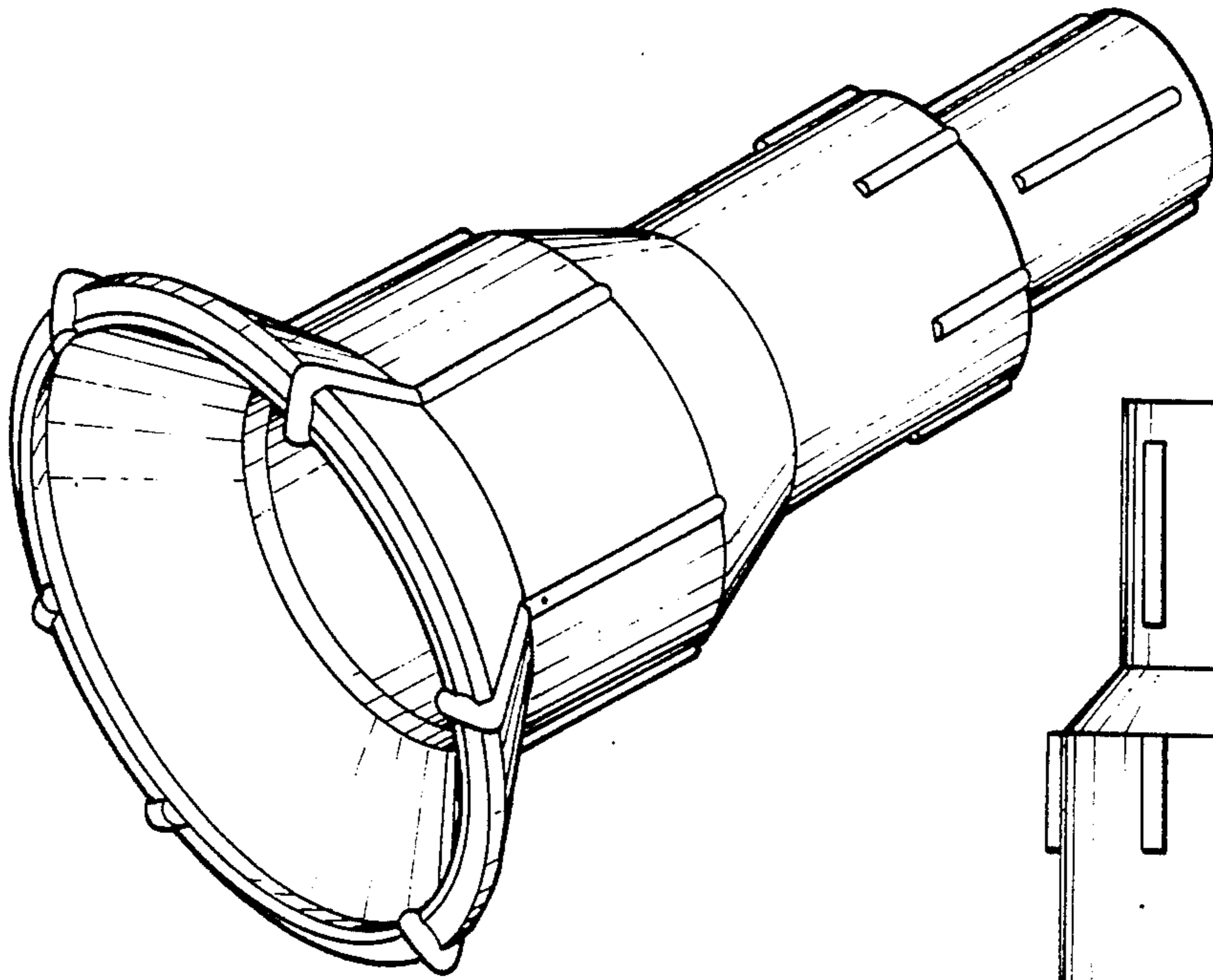


Fig-1

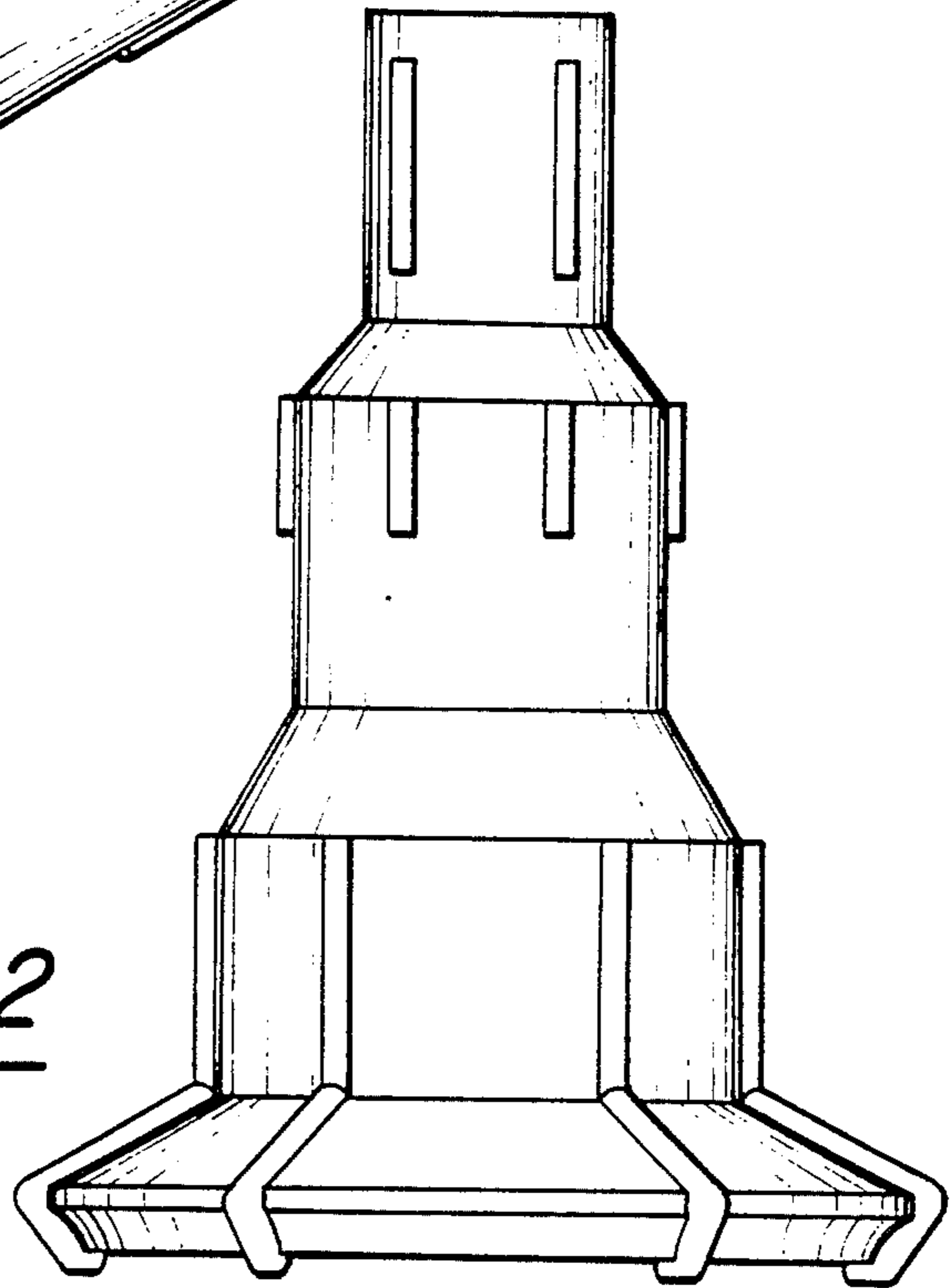


Fig-2

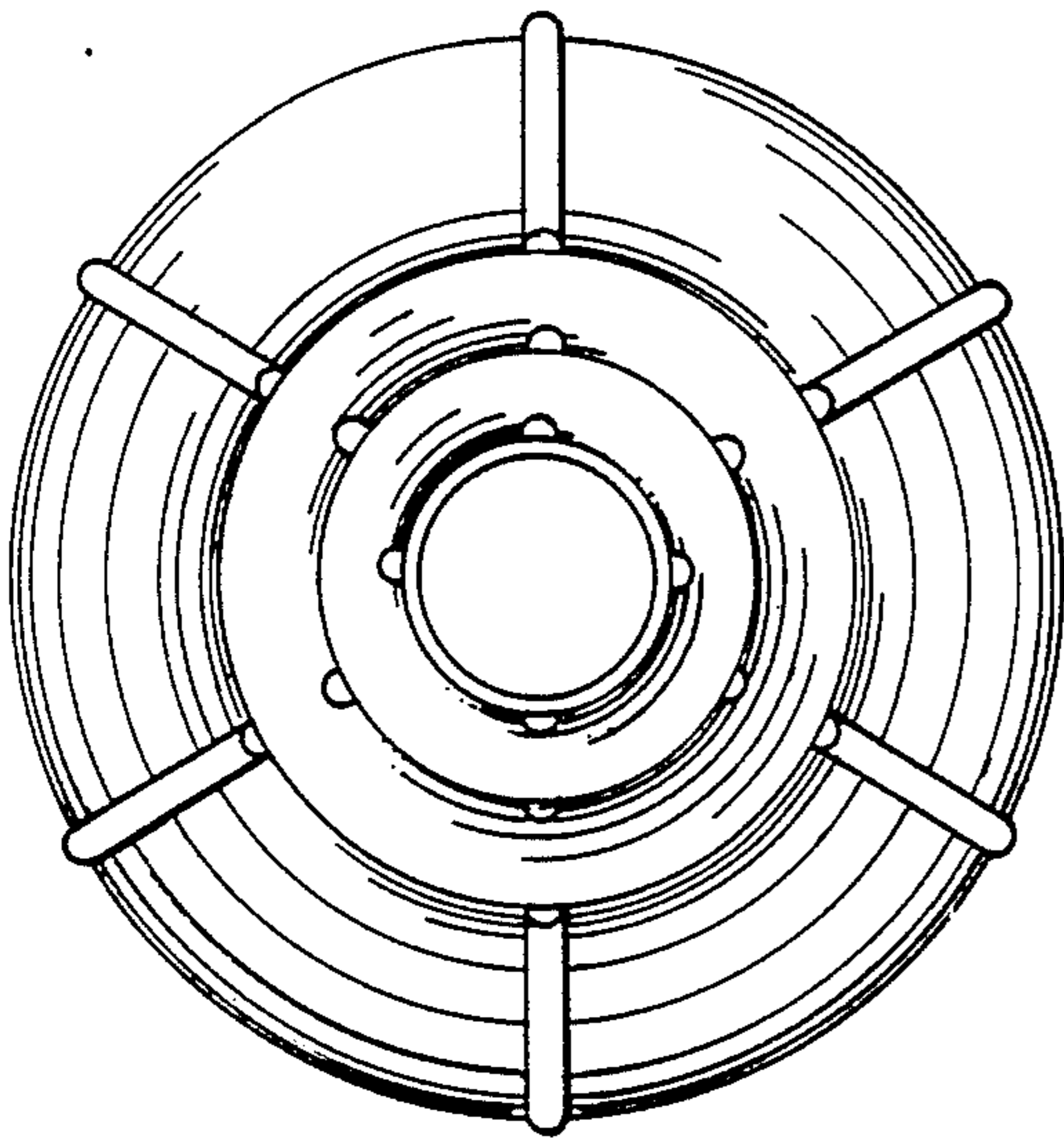


Fig-3

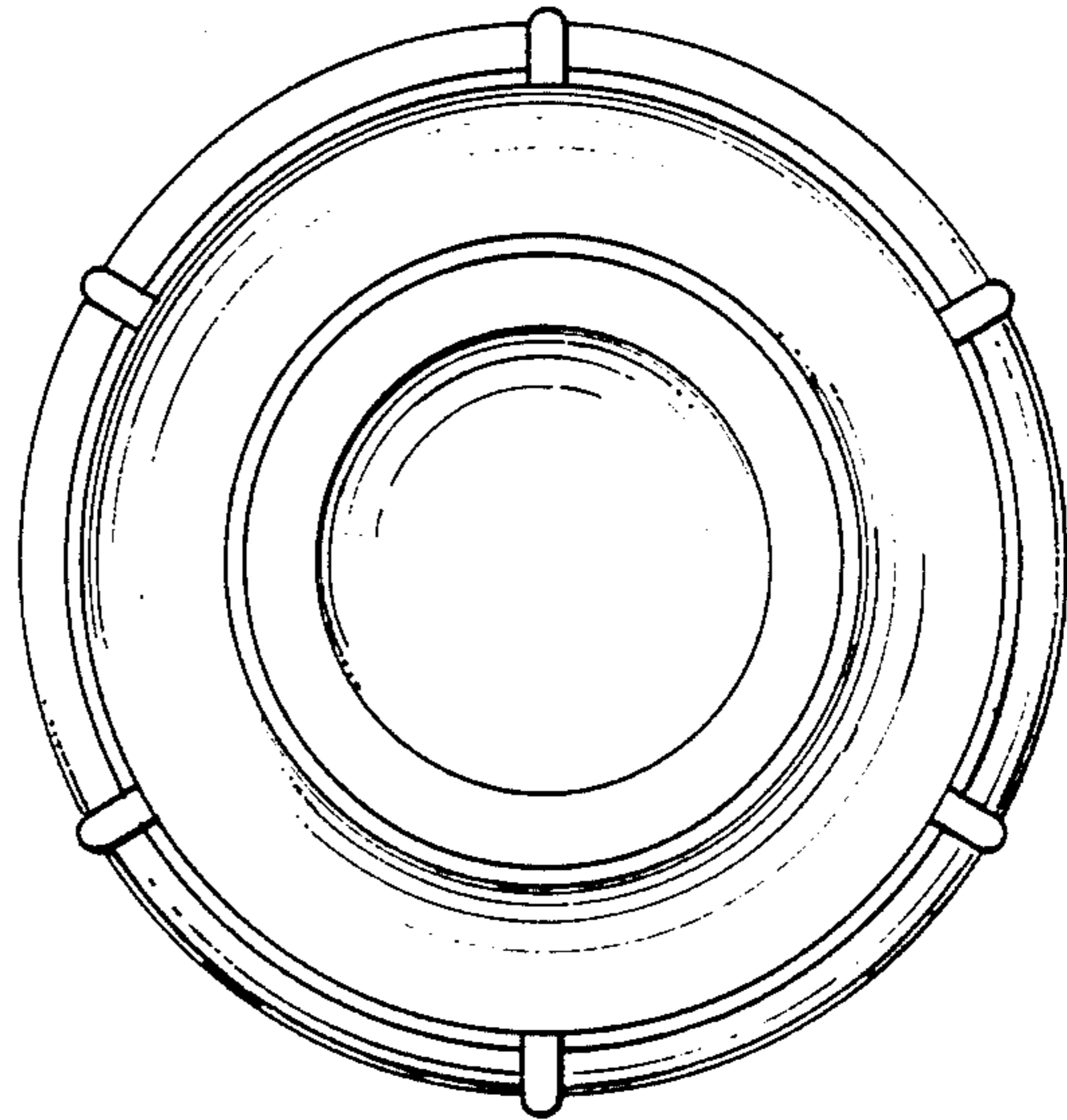


Fig-4