

[54] FLOW CONTROLLER VALVE

[76] Inventor: Mitchell E. Maddock, 541 W. Coolidge Ave., Coolidge, Ariz. 85228

[\*\*] Term: 14 Years

[21] Appl. No.: 631,247

[22] Filed: Jul. 16, 1984

[52] U.S. Cl. .... D23/19; 366/143

[58] Field of Search ..... D23/19-23, D23/37-39; 251/326, 329; D24/53; 366/143, 150, 167

[56] References Cited

U.S. PATENT DOCUMENTS

- D. 265,228 6/1982 Jenkins ..... D23/19
- D. 280,847 10/1985 Maddock ..... D23/22
- D. 283,831 5/1986 Maddock ..... D23/19

- 3,332,439 7/1967 Burke ..... D24/53 X
- 4,089,506 5/1978 Blake ..... 251/326 X
- 4,123,800 10/1978 Mazzei ..... 366/150
- 4,306,705 12/1981 Svensson ..... 251/329 X
- 4,426,807 1/1984 Maddock ..... 47/1.5
- 4,456,026 6/1984 Kantor ..... 251/329 X

Primary Examiner—James R. Largen  
Attorney, Agent, or Firm—Richard R. Mybeck

[57] CLAIM

The ornamental design for a flow controller valve, as shown.

DESCRIPTION

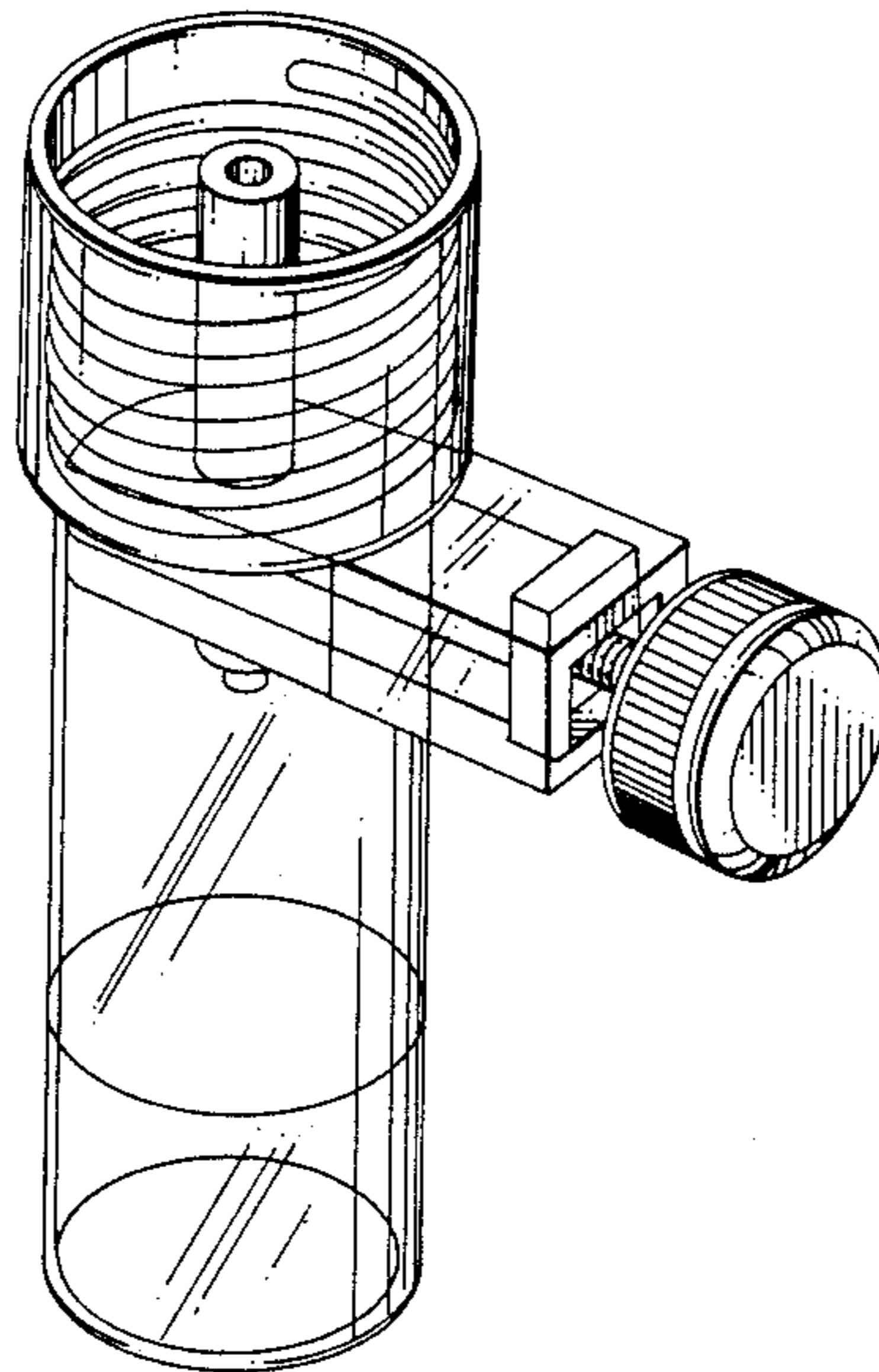
FIG. 1 is a perspective view taken from the top, front and left side of a flow controller valve showing my new design;

FIG. 2 is a right side elevational view;

FIG. 3 is a top plan view;

FIG. 4 is a bottom plan view; and

FIG. 5 is a rear elevational view.



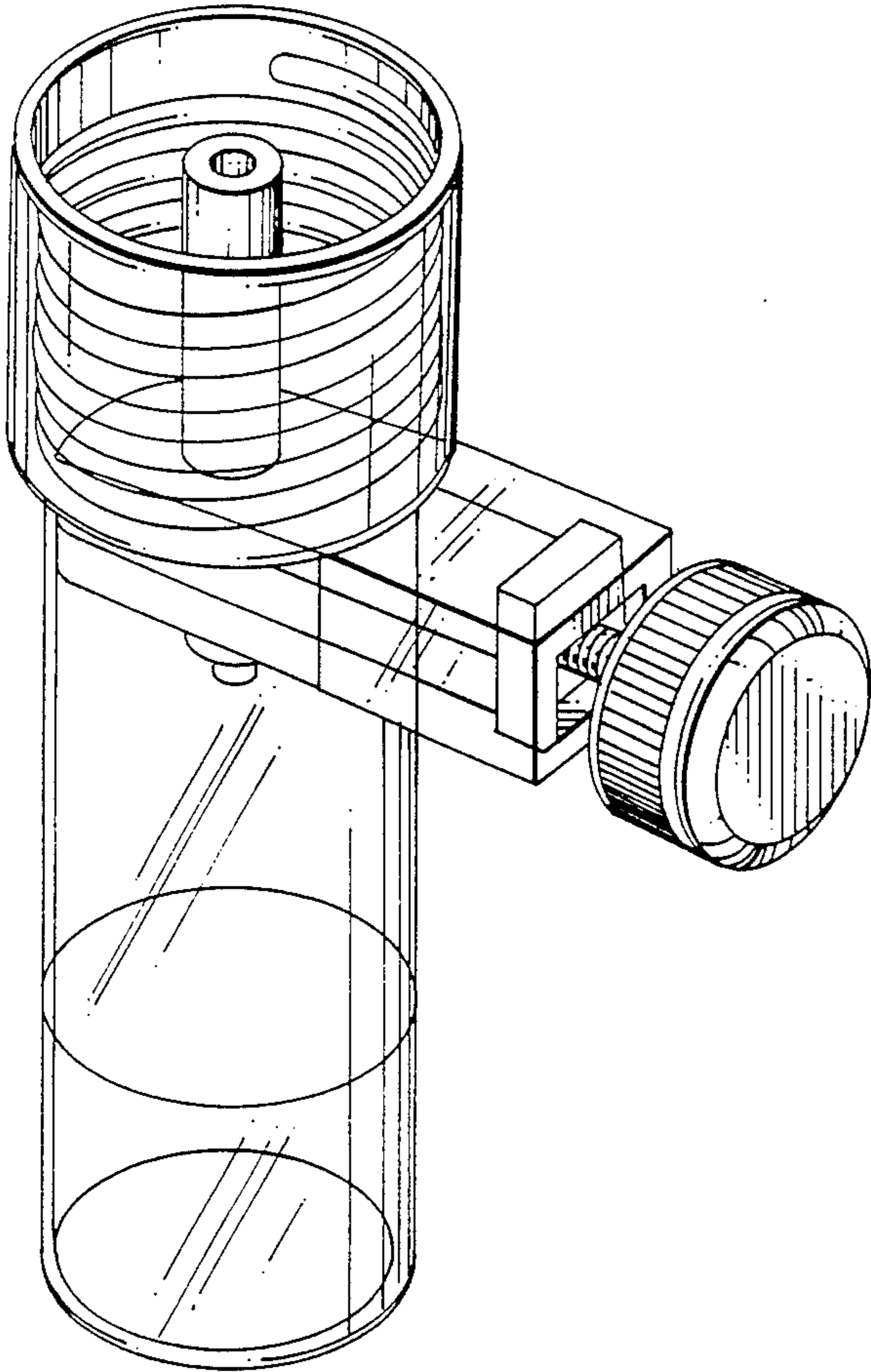


FIG. 1

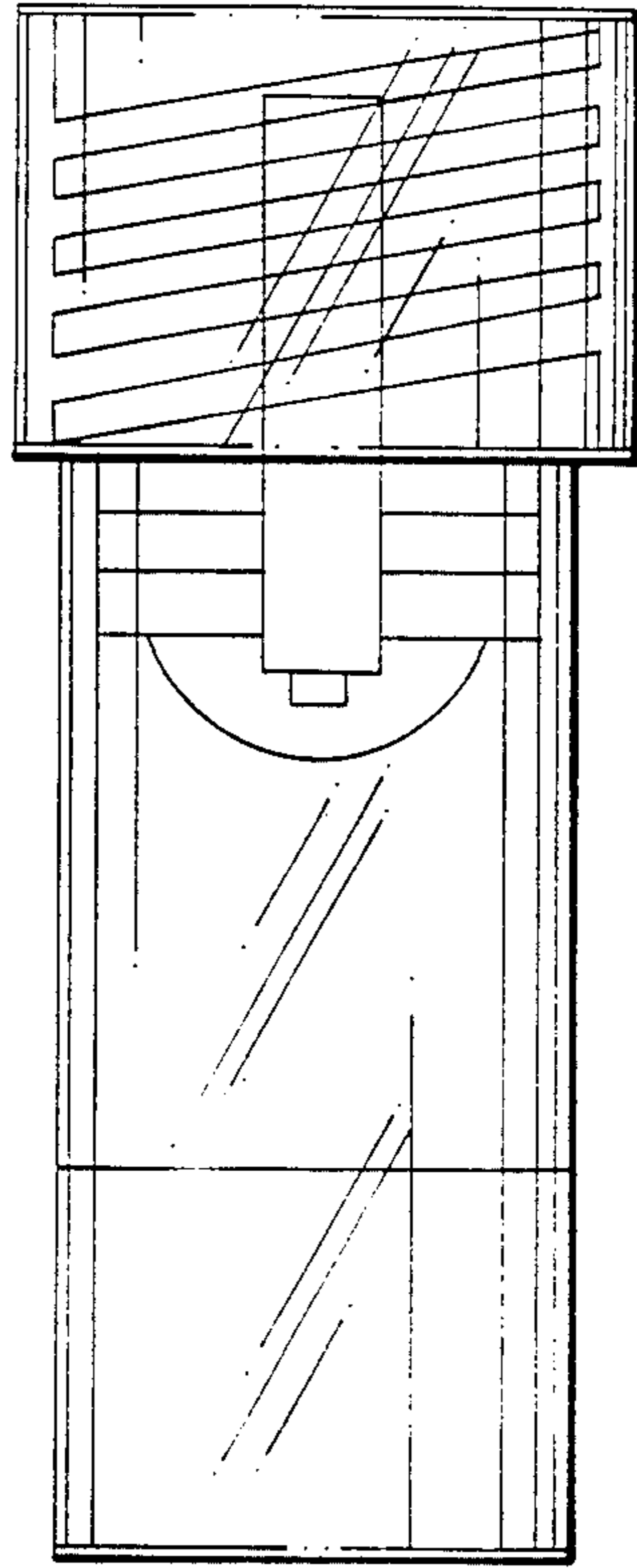


FIG. 5

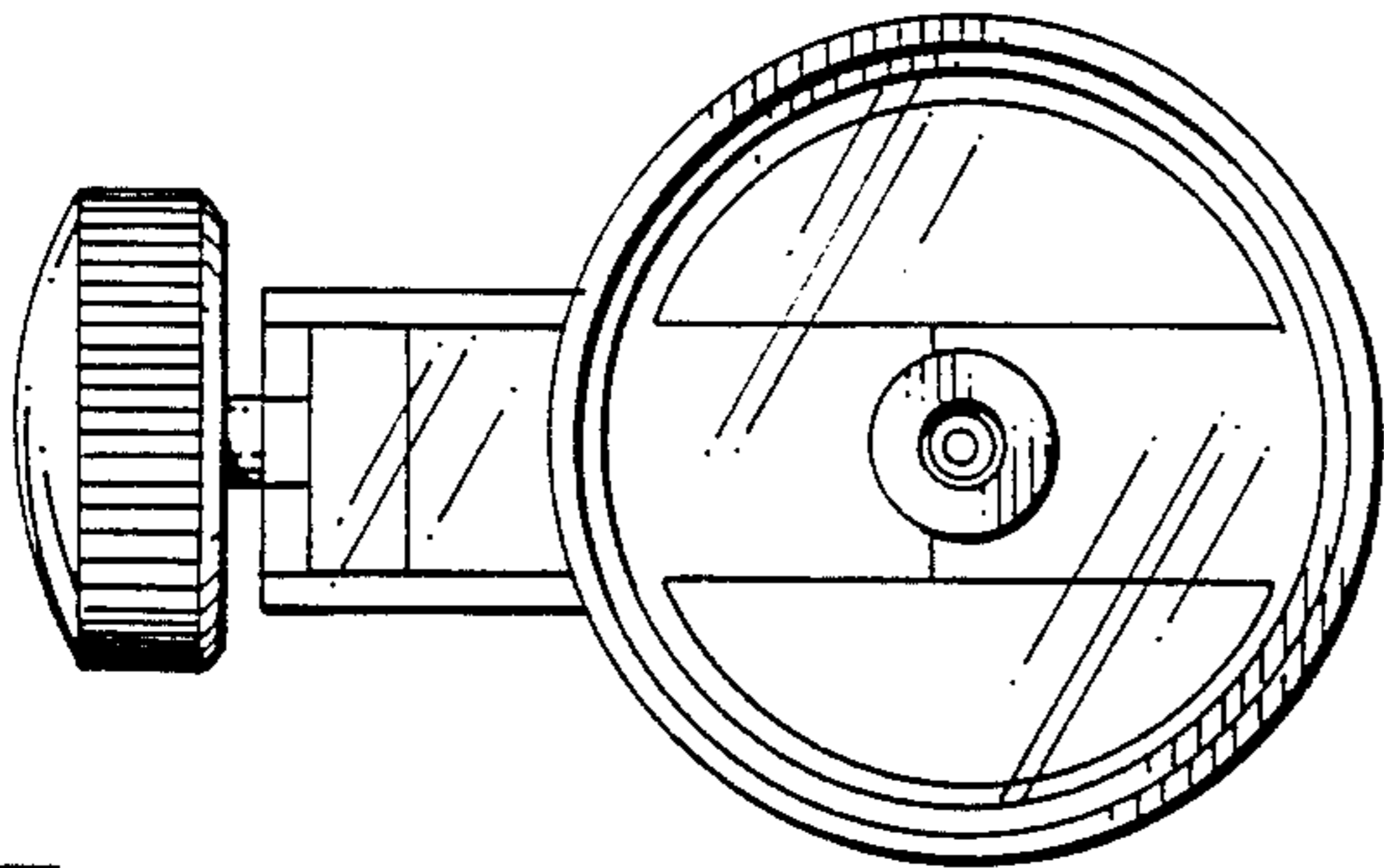


FIG. 3

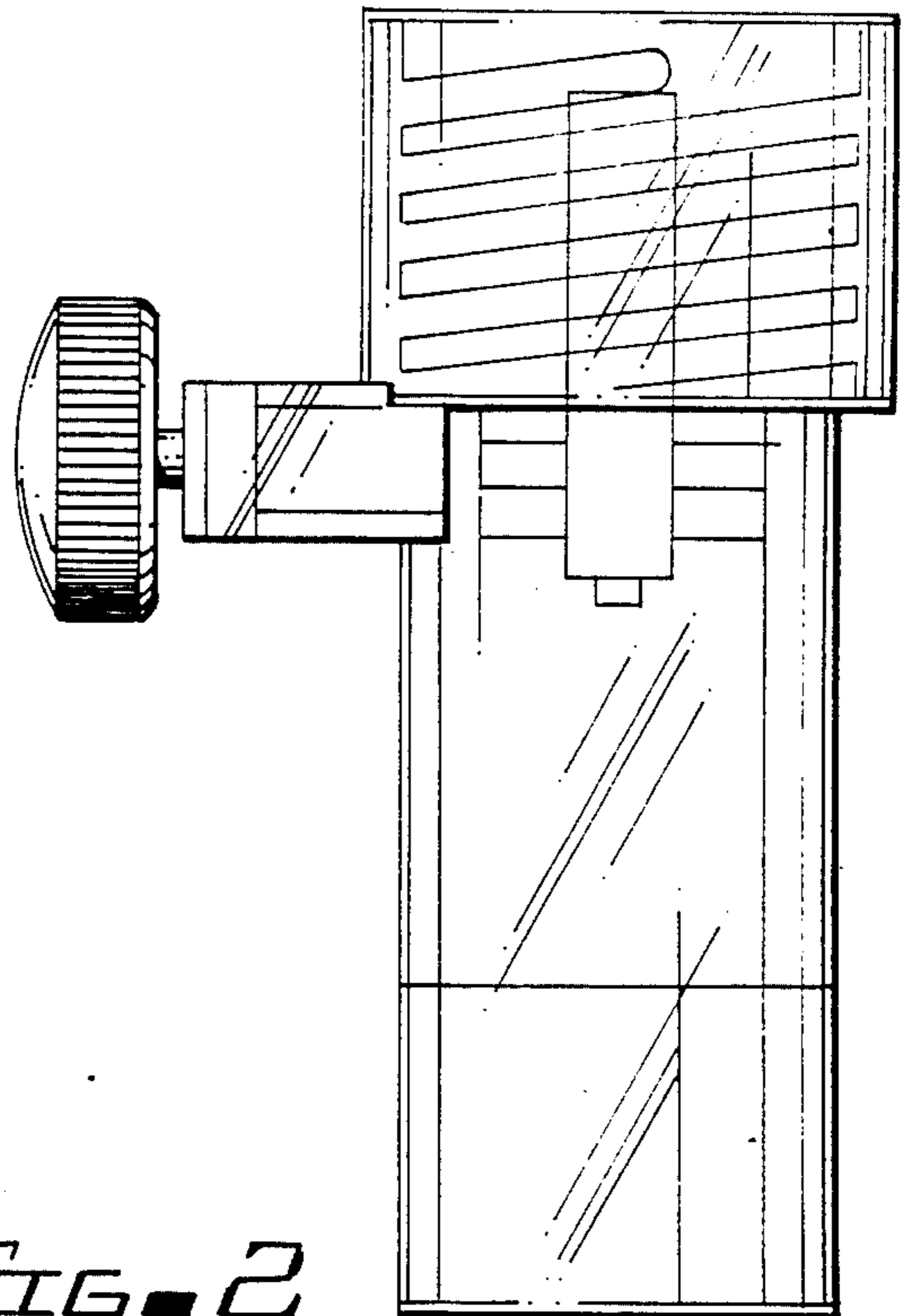


FIG. 2

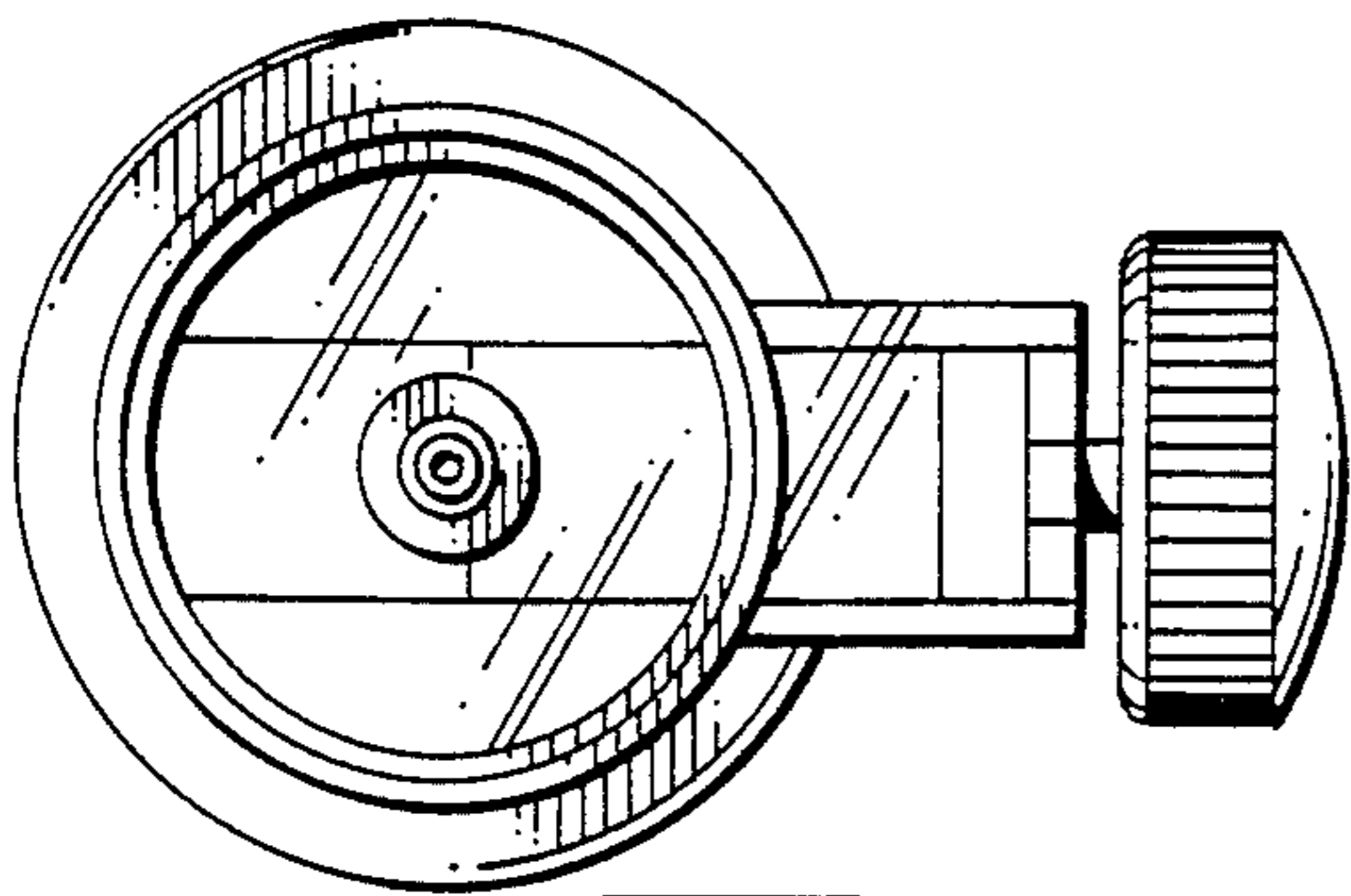


FIG. 4