

[54] EXERCISE ROWING MACHINE

[75] Inventors: David B. Smith, Mercer Island; Randolph F. Miller, Mt. Vernon, both of Wash.

[73] Assignee: Precor Incorporated, Redmond, Wash.

[**] Term: 14 Years

[21] Appl. No.: 775,182

[22] Filed: Sep. 16, 1985

[52] U.S. Cl. D21/195

[58] Field of Search D21/191-199; 272/67, 68, 104, 111, 117, 118, 123, 134, 133, 141, 142, 143, 145

[56] References Cited

U.S. PATENT DOCUMENTS

D. 268,194	3/1983	Smith .	
D. 268,277	3/1983	Smith .	
D. 268,278	3/1983	Smith .	
D. 277,304	1/1985	Smith et al. .	
D. 283,530	4/1986	Smith et al.	D21/195
D. 285,472	9/1986	Gremonprez	D21/195
D. 287,388	12/1986	Cheng	D21/195
4,284,272	8/1981	Evans et al. .	
4,477,071	10/1984	Brown et al.	272/72
4,488,719	12/1984	Brown et al.	272/72
4,541,627	9/1985	MacLean et al.	272/72
4,602,780	7/1986	Gall	272/72

FOREIGN PATENT DOCUMENTS

390424 4/1933 United Kingdom .

OTHER PUBLICATIONS

Amerec 610 Flier, Rowing Exerciser.
 Avita 850 Flier, M & R Industries, Rowing Exerciser.
 Advertising brochure by Bremshey Sport illustrating the Tunturi-Rower GL and Heimrudergerat R1 Rowing Machines.
 Advertising brochure for the Executive Row 500 Rowing Machine by Status One.
 Advertising brochure for the Model 5200 Rowing Machine by The West Bend Company.
 Brochure for the Model OmniRow XL Rowing Machine by MacLevy.
 Advertising brochure for the Ever Young Professional Super Gold Rowing Machine by Shinn Fu Company of America Inc.

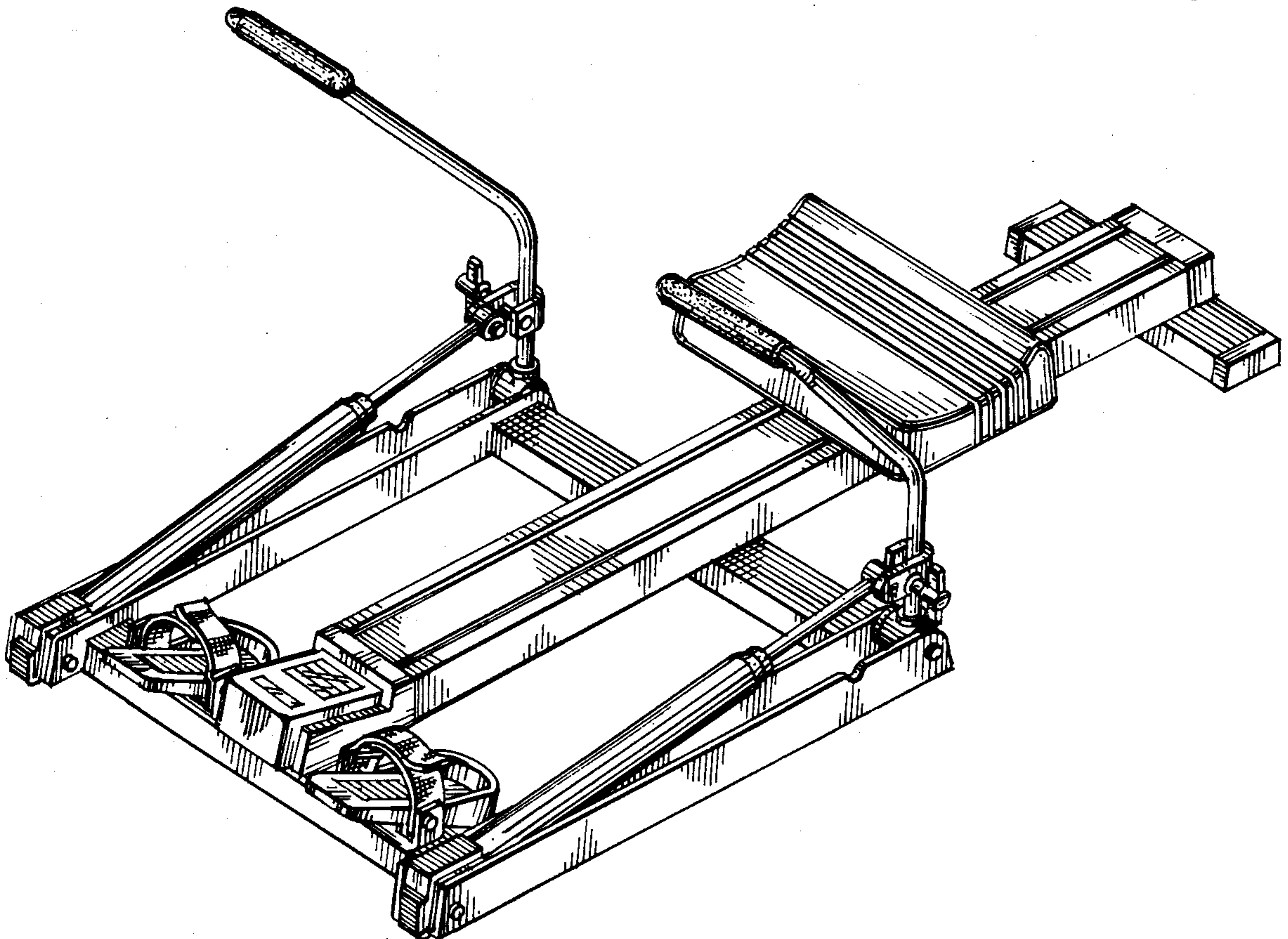
Primary Examiner—Charles A. Rademaker
 Attorney, Agent, or Firm—Christensen, O'Connor, Johnson & Kindness

[57] CLAIM

The ornamental design for an exercise rowing machine, substantially as shown and described.

DESCRIPTION

FIG. 1 is a front perspective view of an exercise rowing machine showing our design;
 FIG. 2 is a top plan view thereof;
 FIG. 3 is a side elevational view thereof;
 FIG. 4 is a front elevational view thereof;
 FIG. 5 is a rear elevational view thereof;
 FIG. 6 is a bottom view thereof; and
 FIG. 7 is a side elevational view thereof illustrating the rear end portion of the machine in an elevated position.



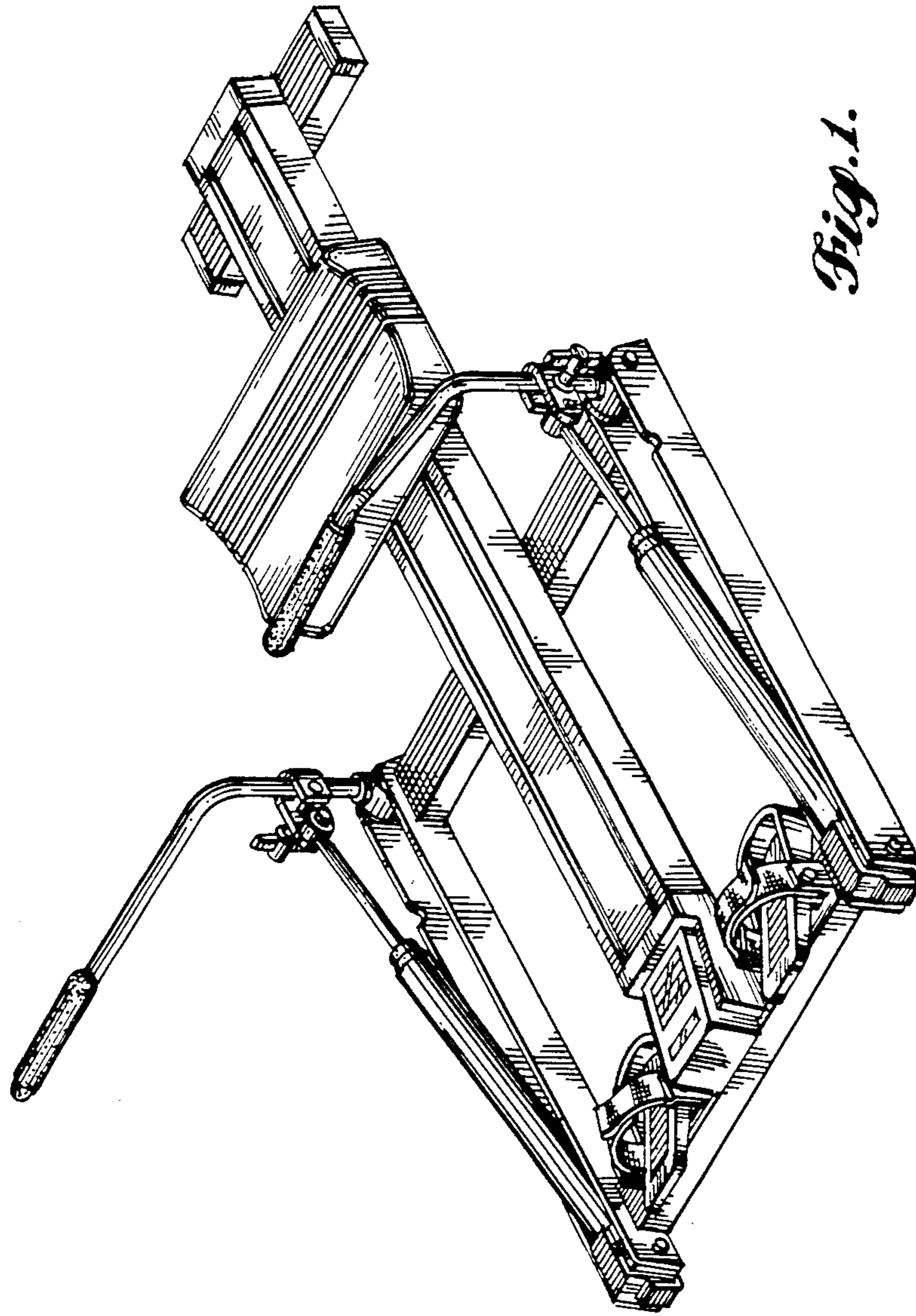


Fig. 1.

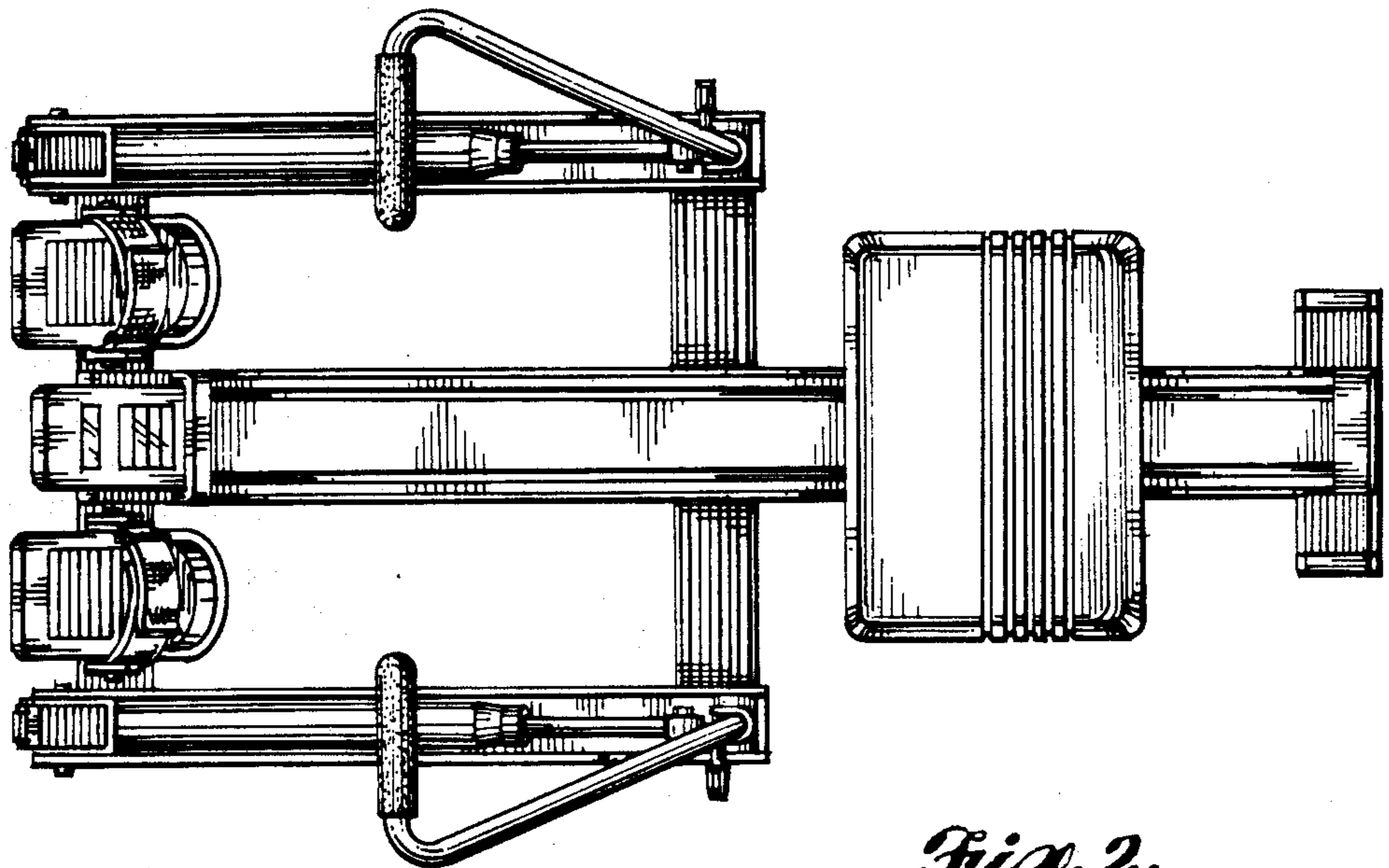


Fig. 2.

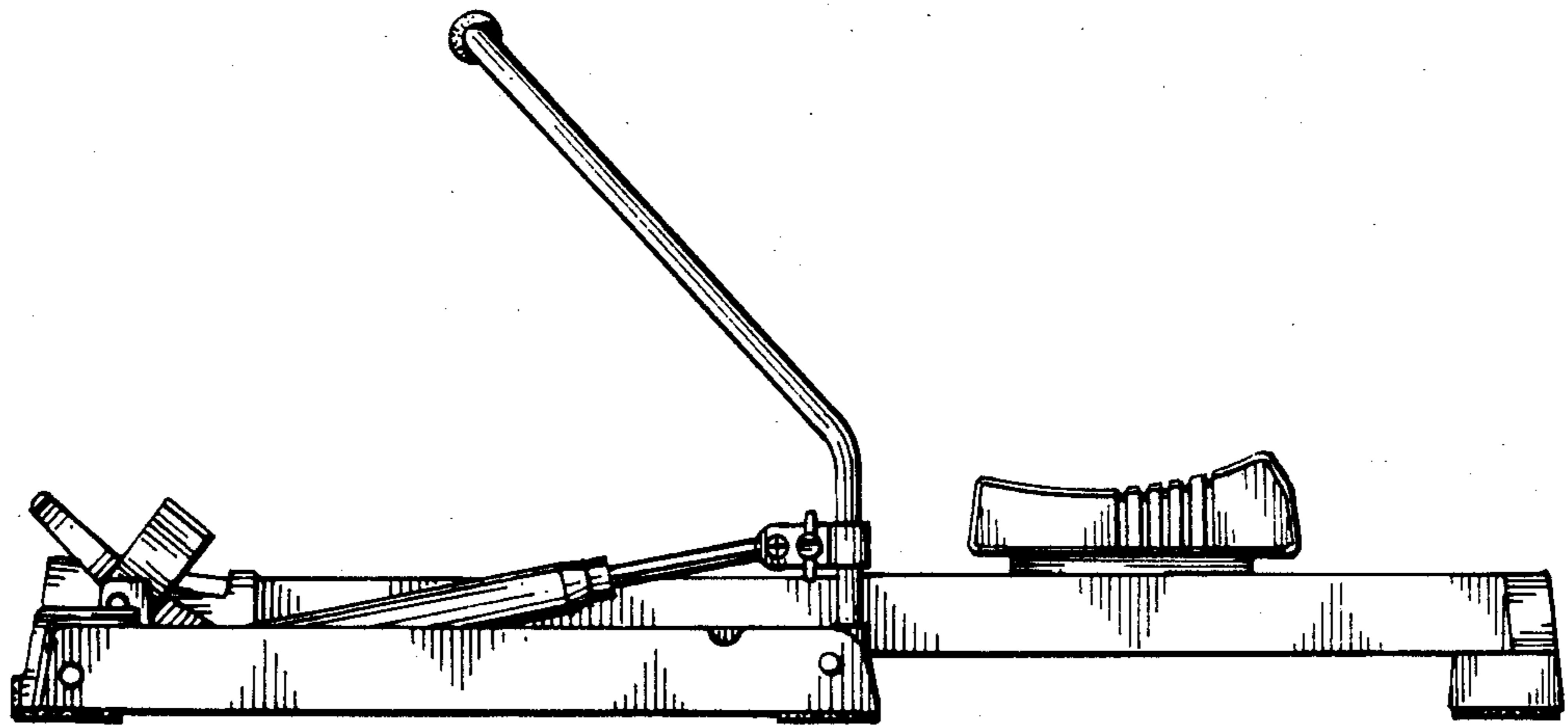


Fig. 3.

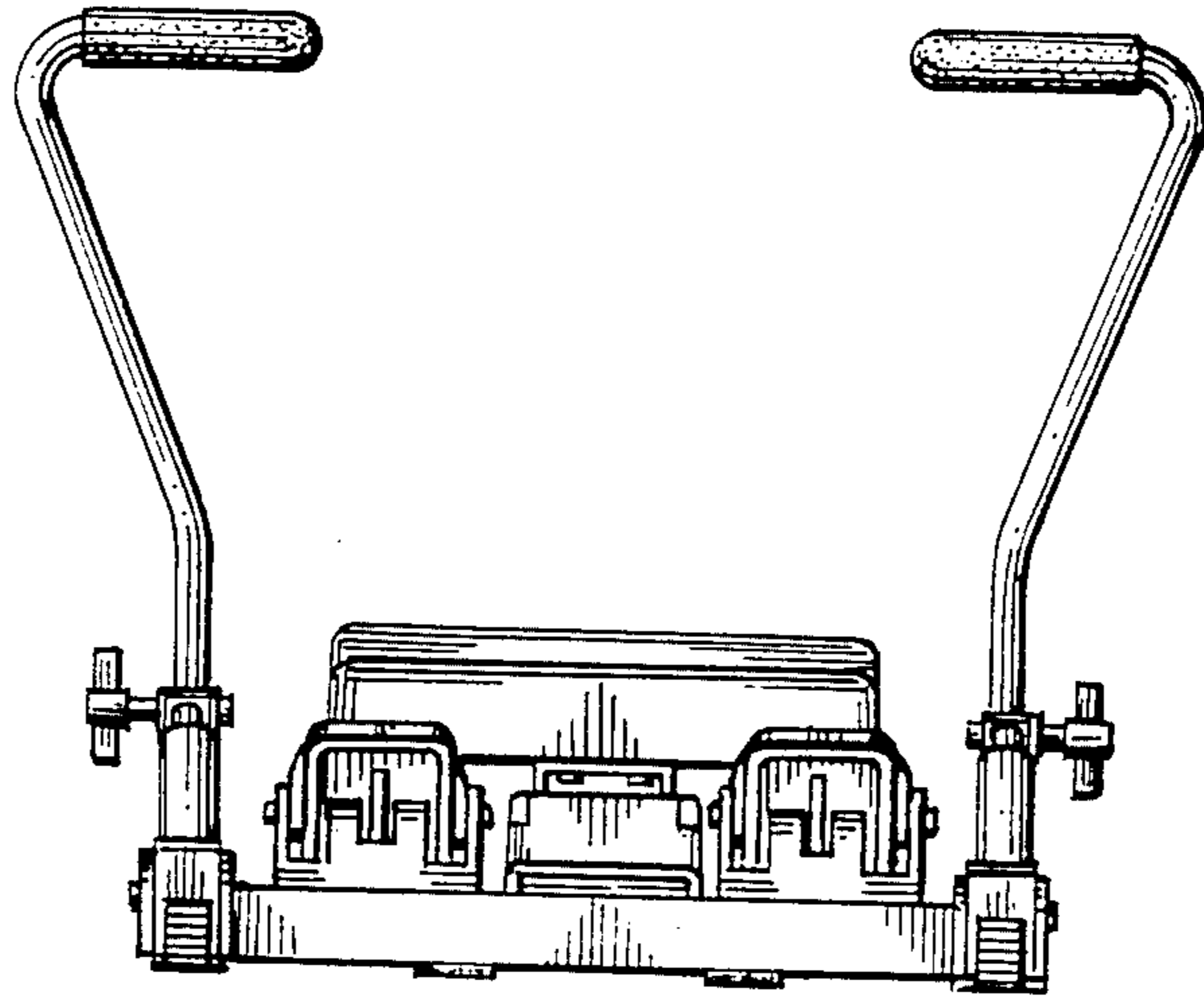


Fig. 4.

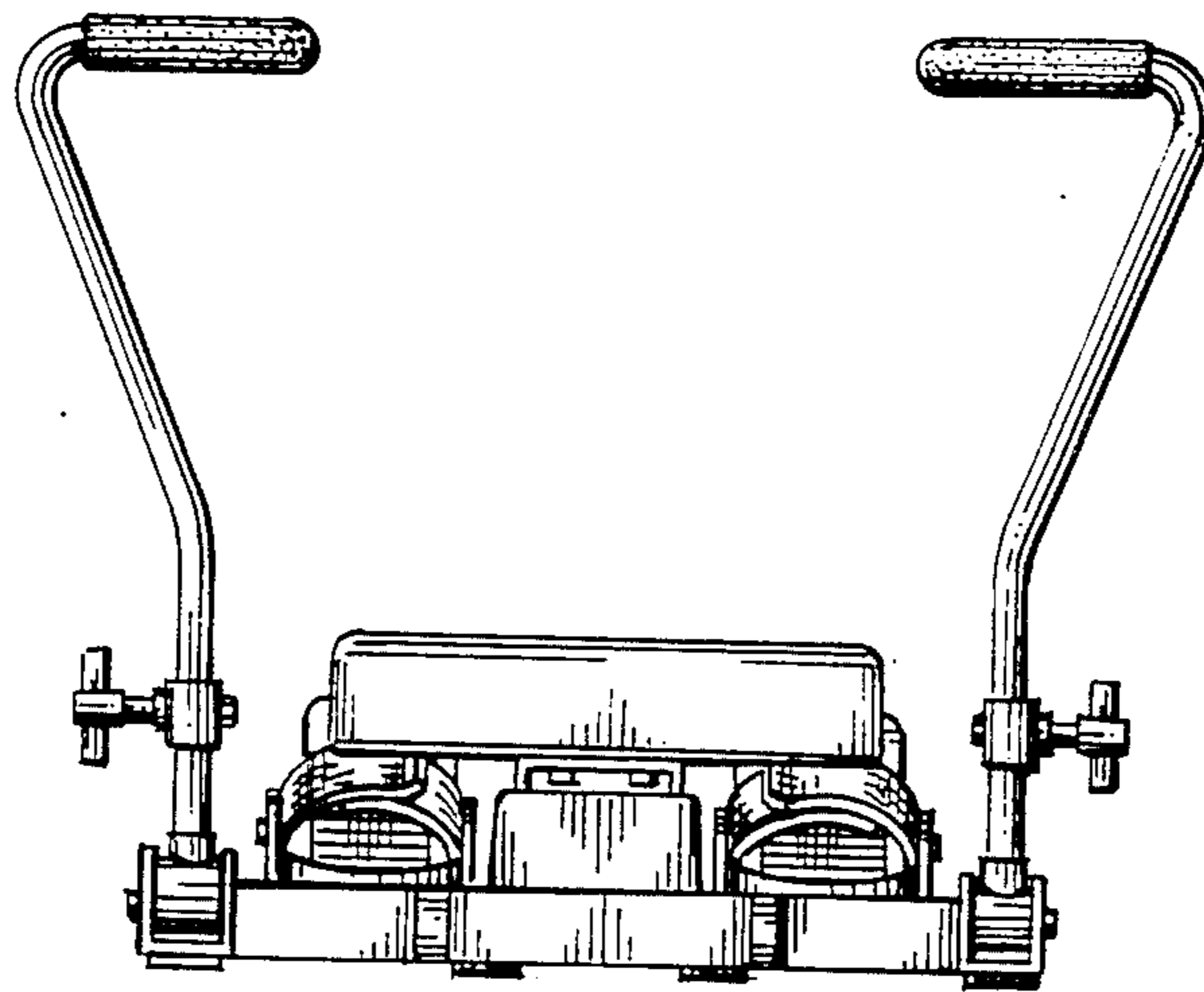


Fig. 5.

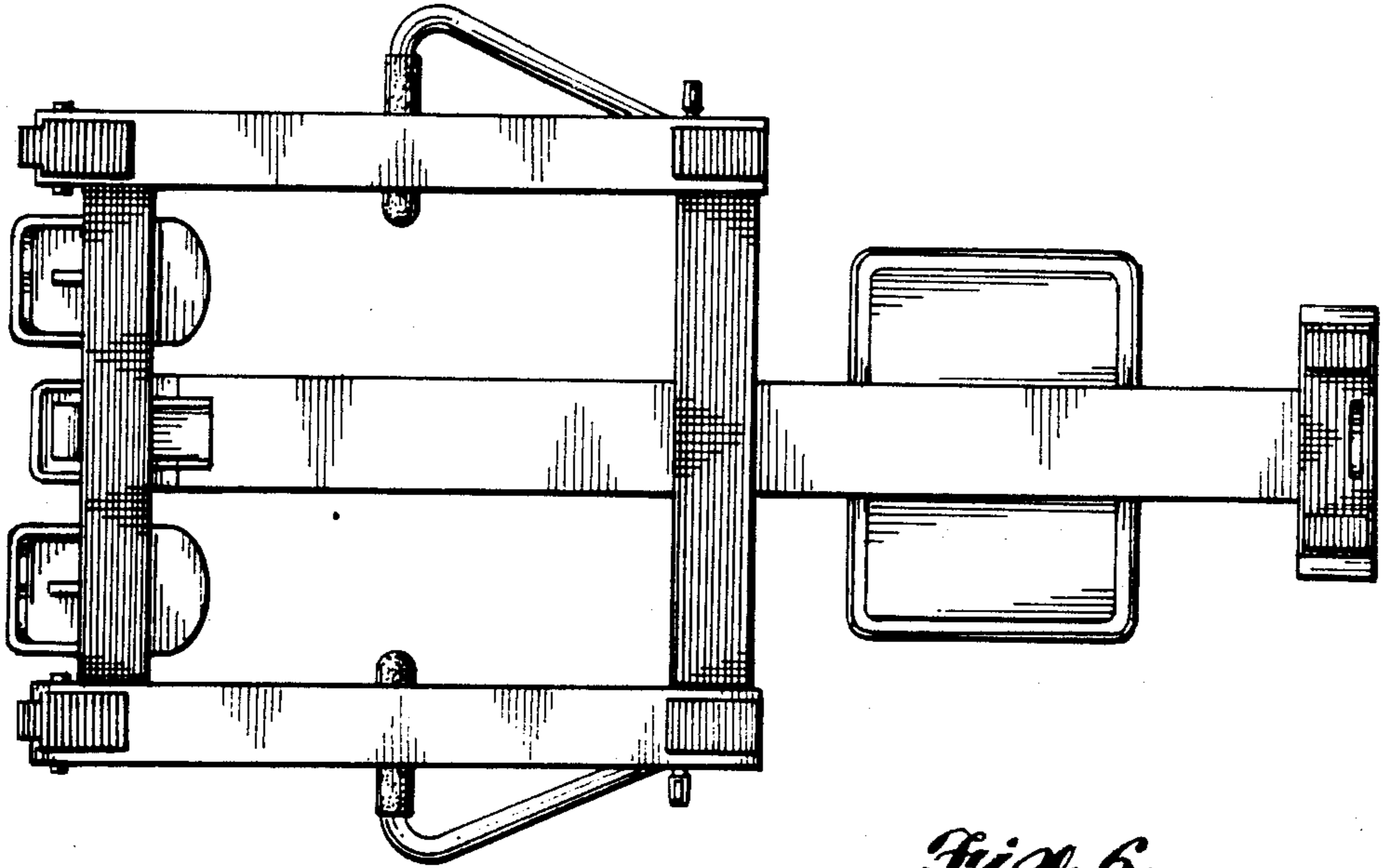


Fig. 6.

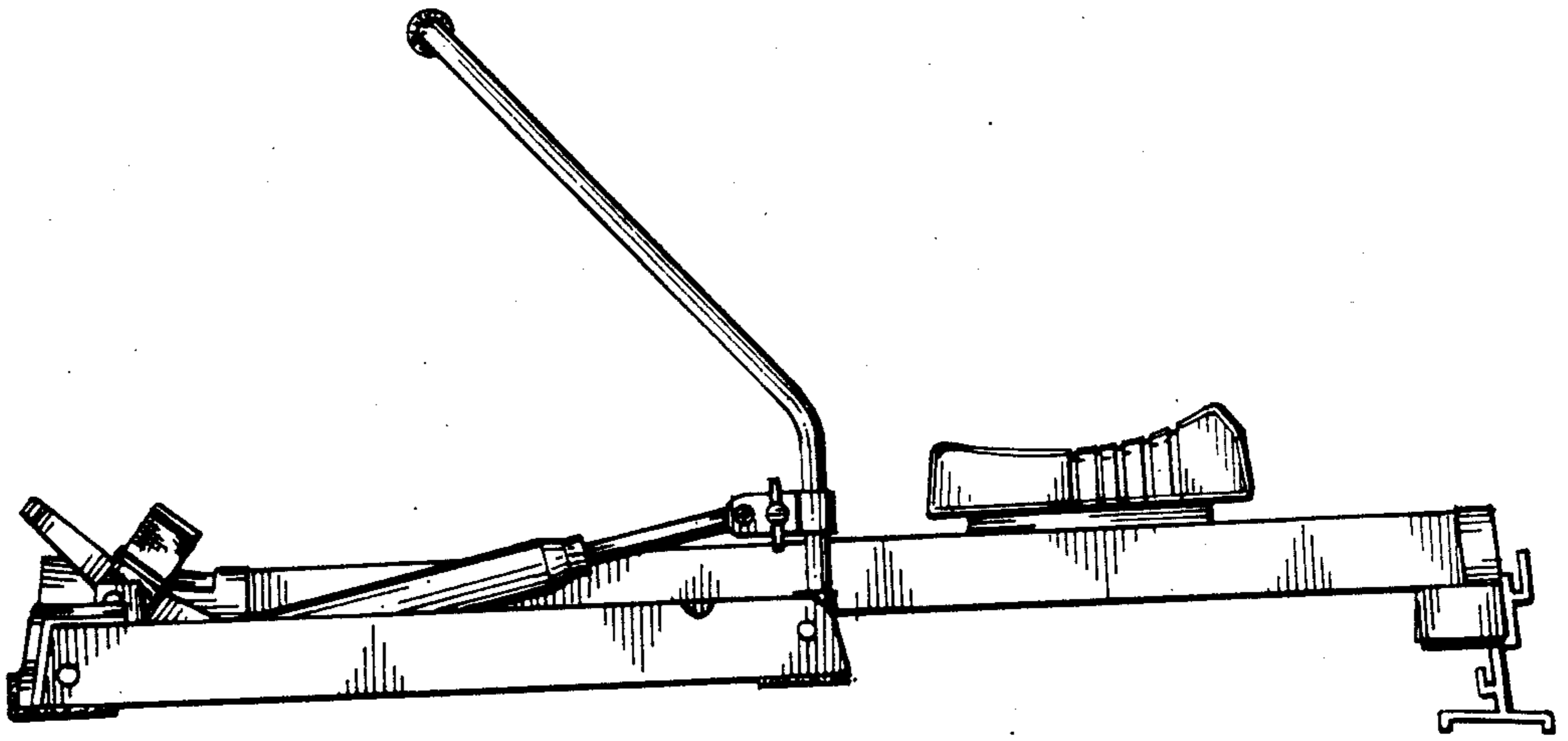


Fig. 7.