

[54] EXERCISE BICYCLE

[76] Inventor: King Liu, No. 19, Shun Fan Road, Ta Chia Chen, Taichung Hsien, Taiwan

[**] Term: 14 Years

[21] Appl. No.: 740,222

[22] Filed: Jun. 3, 1985

[52] U.S. Cl. D21/194

[58] Field of Search D21/191-199; 272/73, 70.3, 132, DIG. 6; 73/379; 128/363, 364

[56] References Cited

U.S. PATENT DOCUMENTS

- D. 254,679 4/1980 Gustafsson D21/194
- D. 280,003 8/1985 Kiiski D21/194

- D. 281,711 12/1985 Hiivola D21/194
- 4,602,781 7/1986 La Marsh et al. 272/73

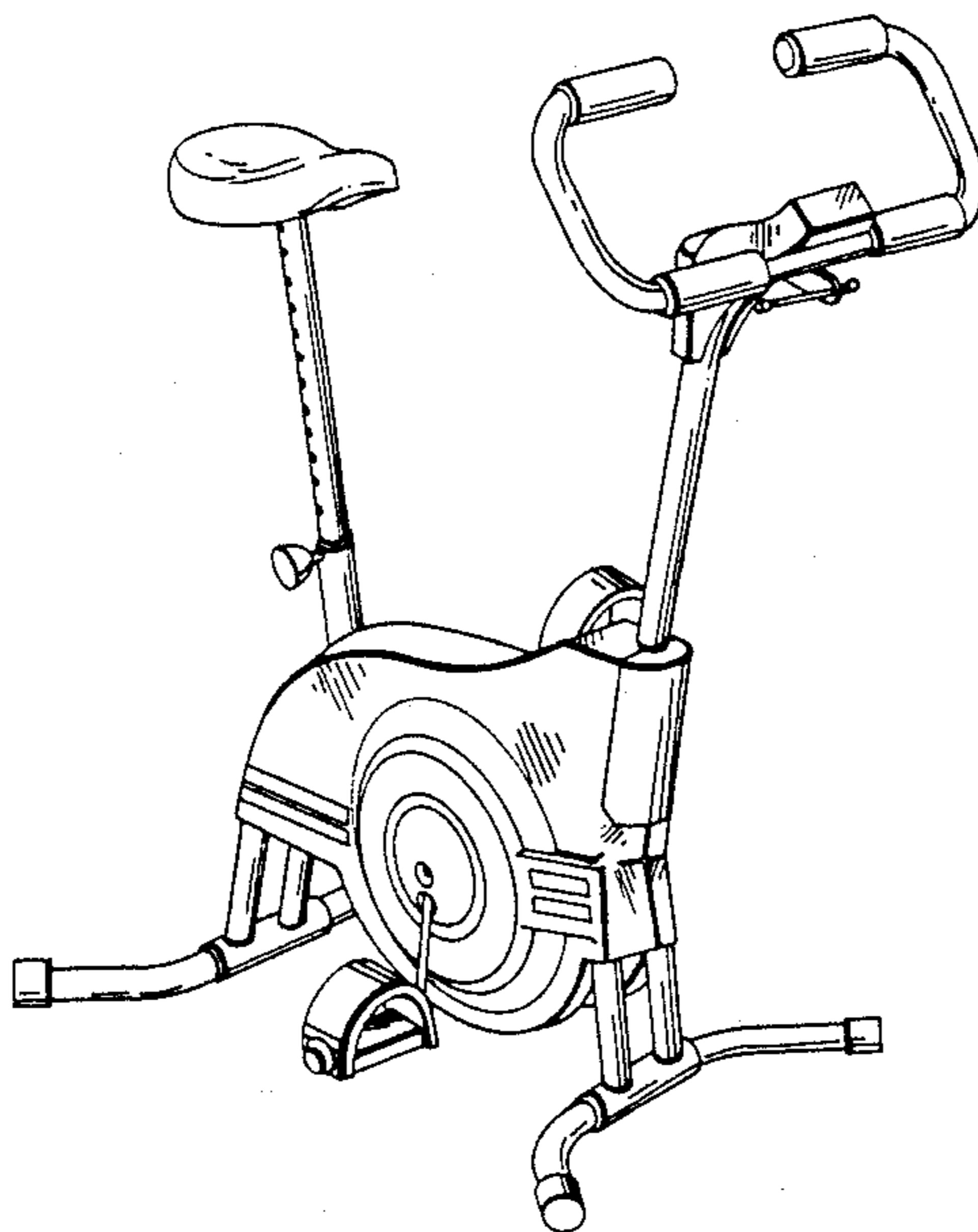
Primary Examiner—Charles A. Rademaker
Attorney, Agent, or Firm—Lee C. Robinson, Jr.

[57] CLAIM

The ornamental design for an exercise bicycle, as shown and described.

DESCRIPTION

FIG. 1 is a perspective view of an exercise bicycle showing my new design;
 FIG. 2 is a right side elevational view thereof;
 FIG. 3 is a left side elevational view thereof;
 FIG. 4 is a rear elevational view thereof;
 FIG. 5 is a front elevational view thereof;
 FIG. 6 is a top plan view thereof; and
 FIG. 7 is a bottom plan view thereof.



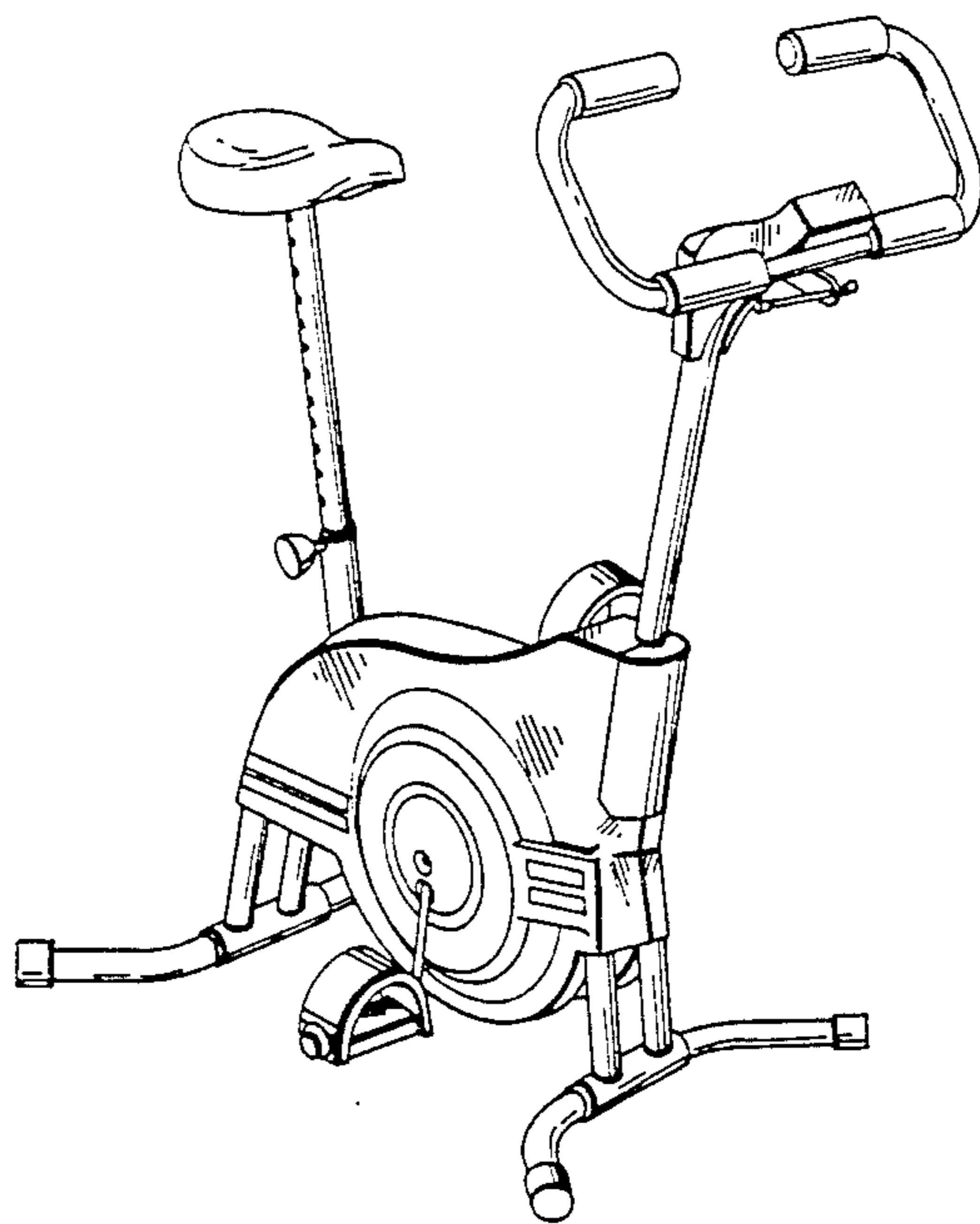


FIG. 1

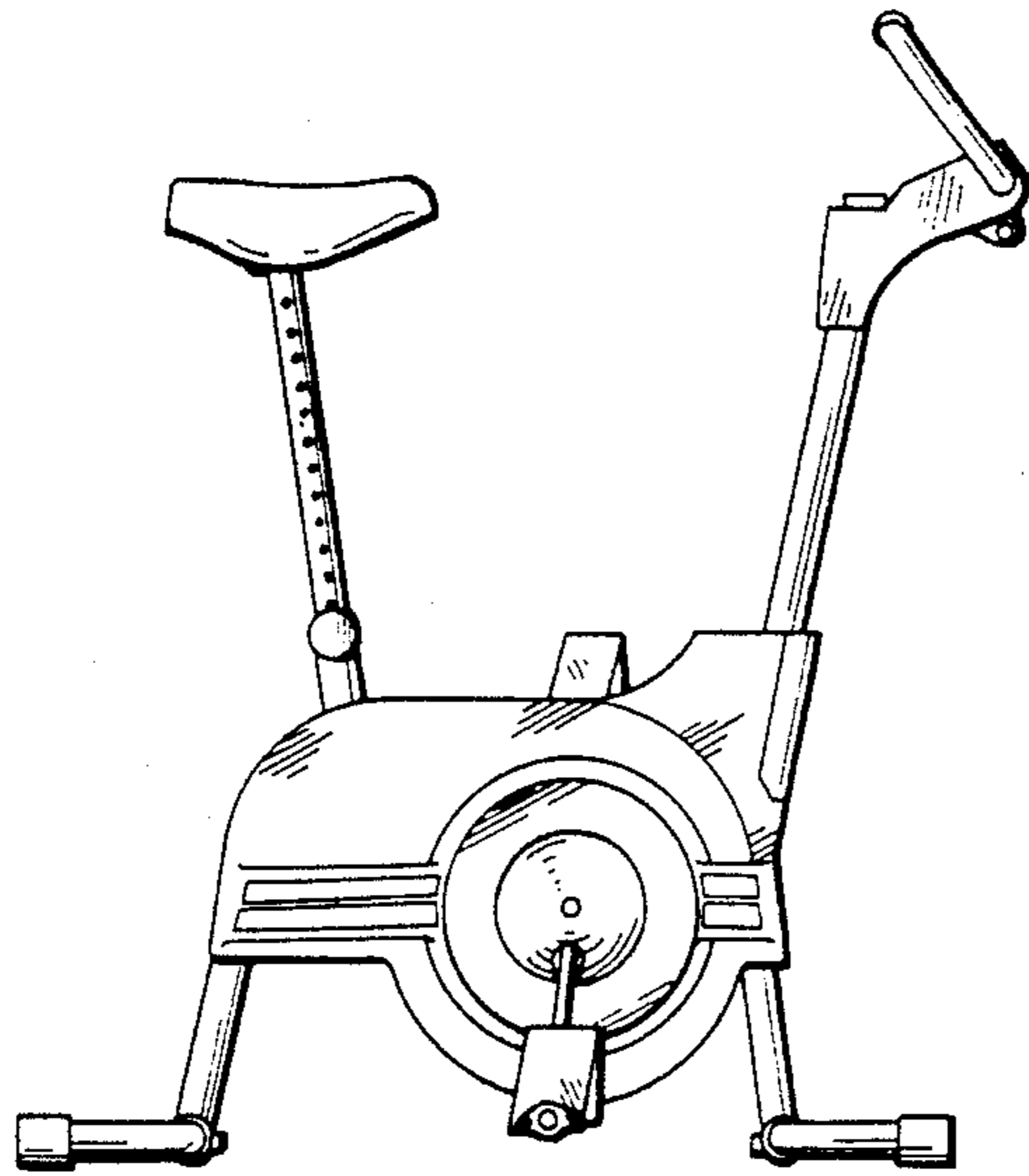


FIG. 2

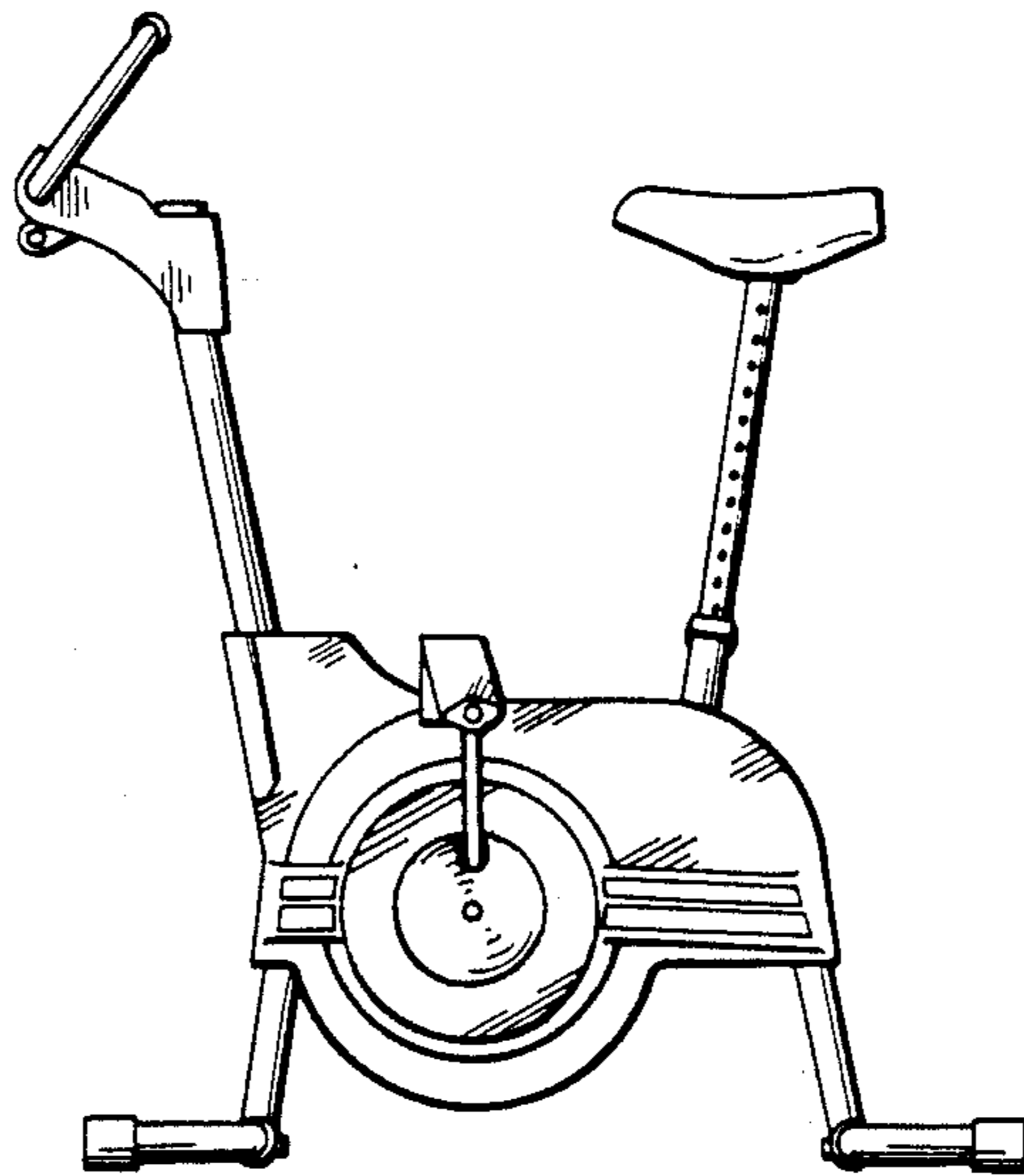


FIG. 3

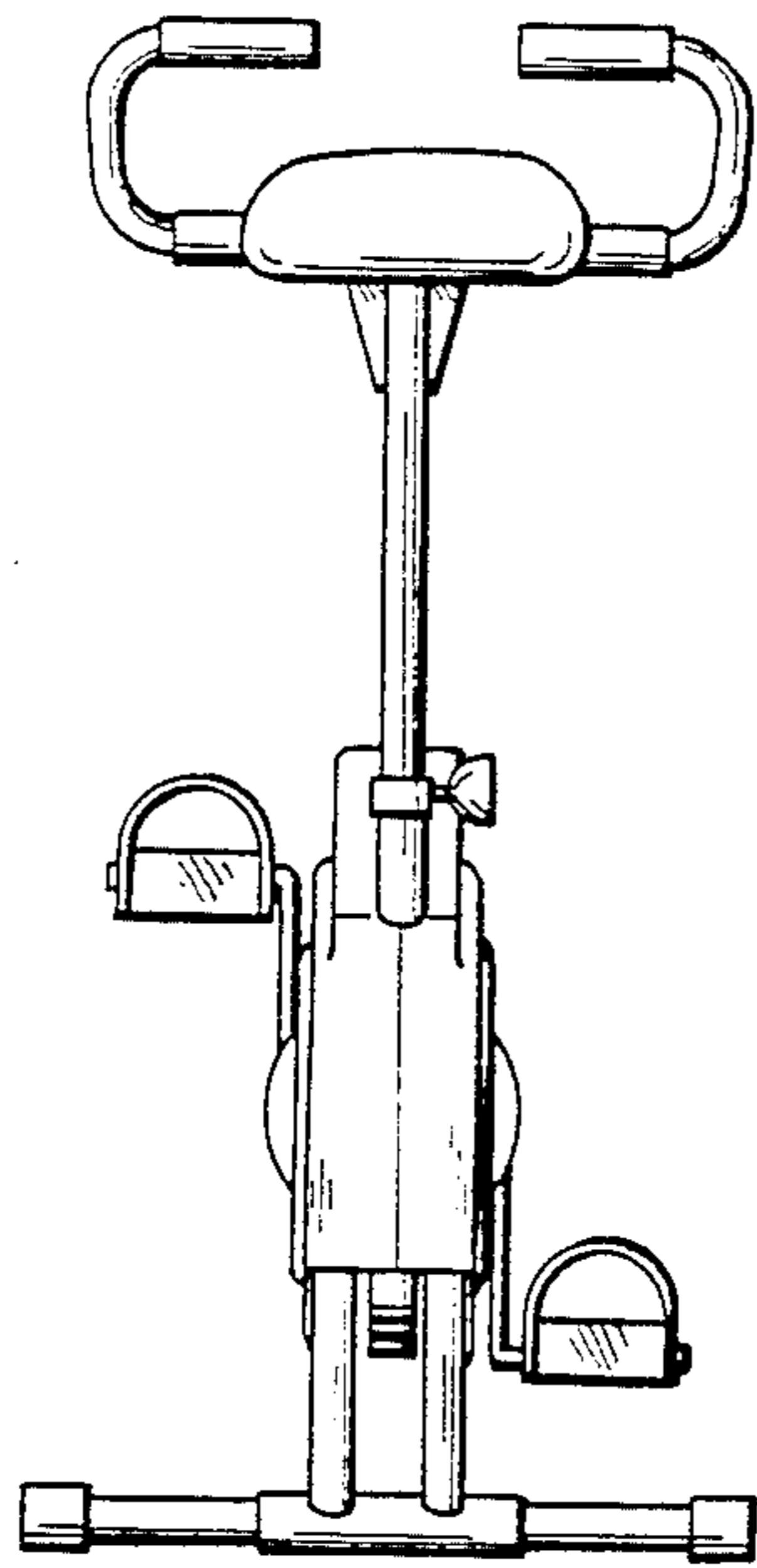


FIG. 4

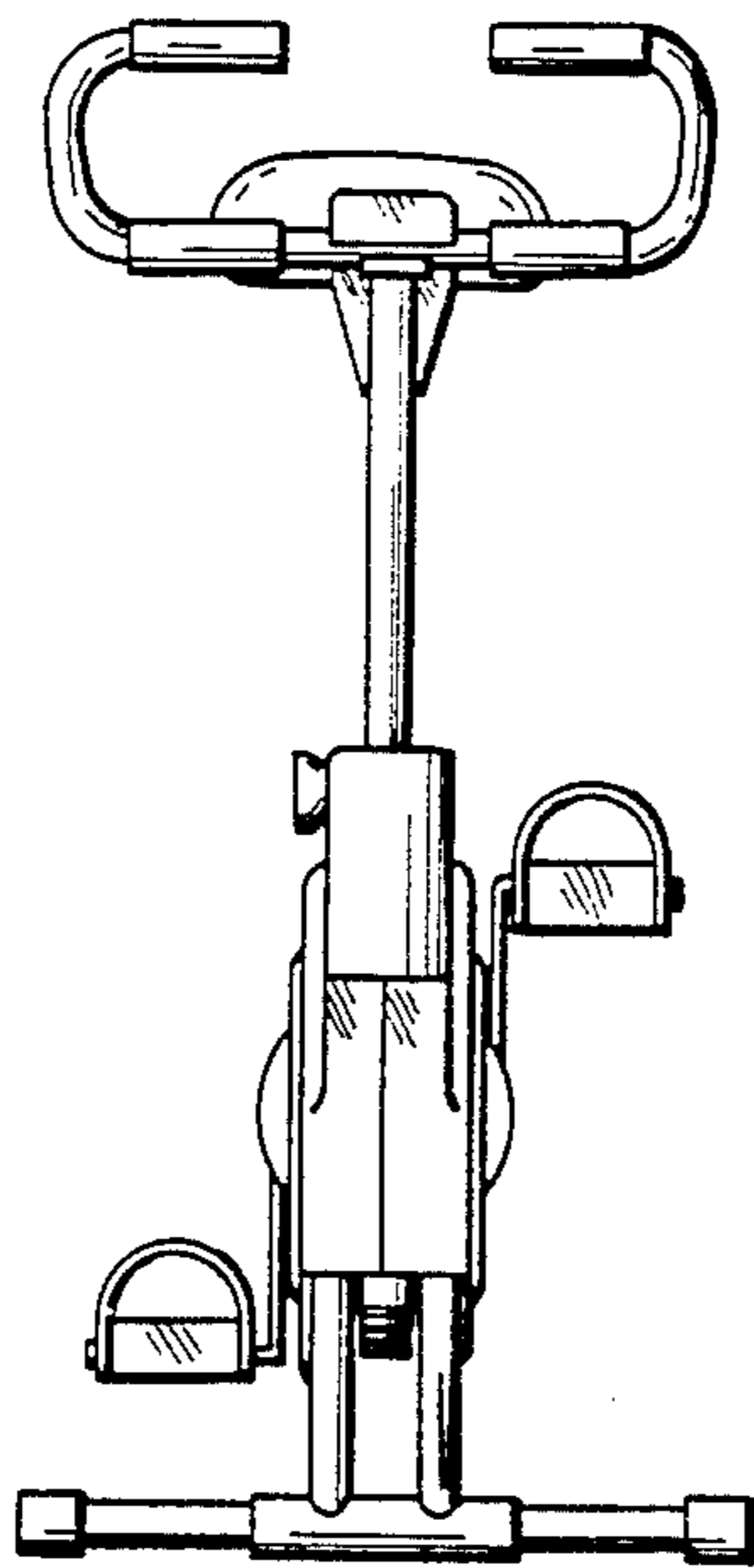


FIG. 5

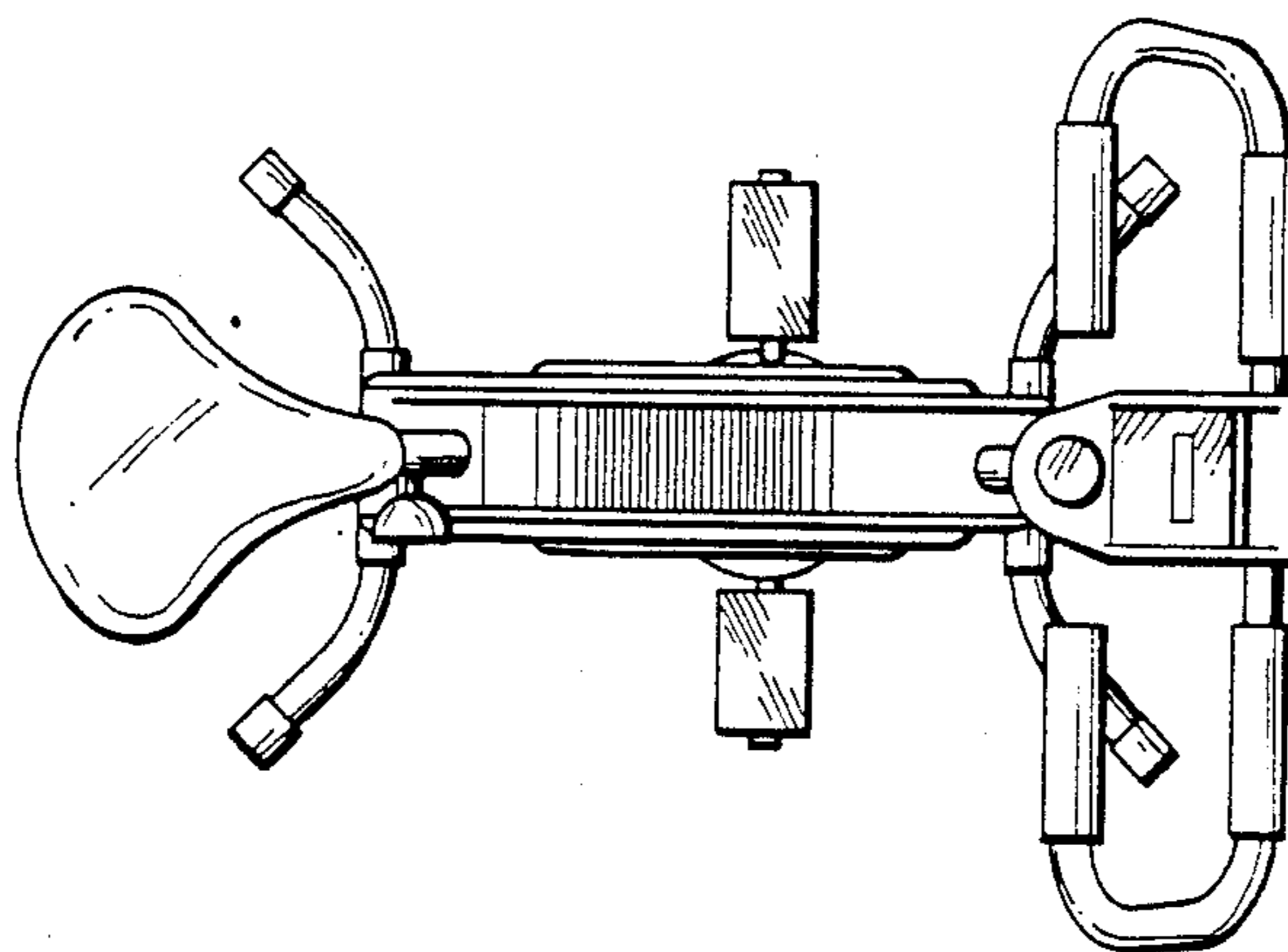


FIG. 6

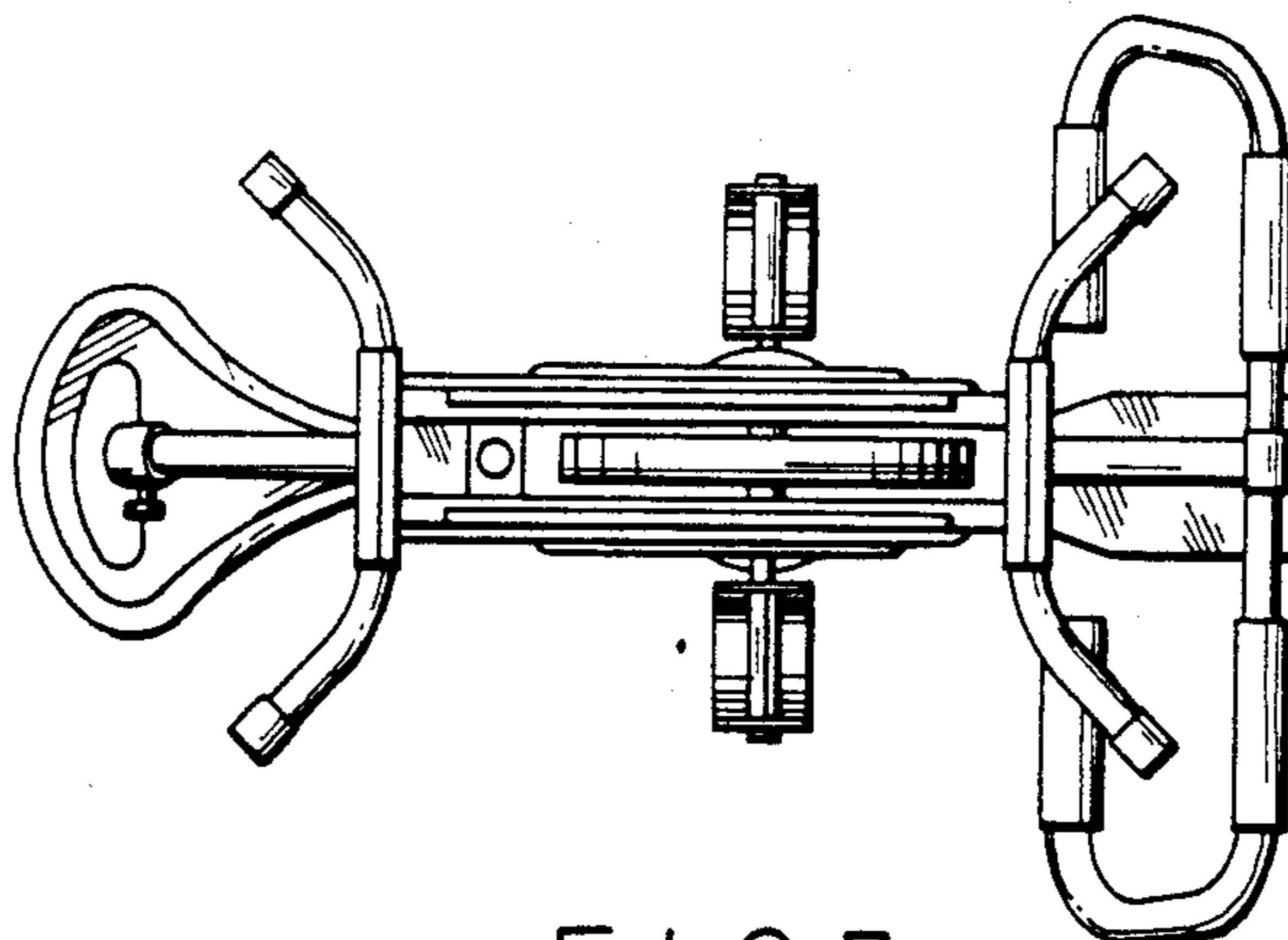


FIG. 7