

- [54] FRAME FOR BARBELL WEIGHTS OR SIMILAR ARTICLE
- [76] Inventor: Stanley R. Carter, Jr., 1945 Mathew Dr., Layton, Utah 84041
- [**] Term: 14 Years
- [21] Appl. No.: 736,958
- [22] Filed: May 22, 1985
- [52] U.S. Cl. D21/191
- [58] Field of Search D21/191-199; 272/93, 116, 117, 118, 119, 123, 125, 137, 142, 143, 144, 122

- [56] **References Cited**
- U.S. PATENT DOCUMENTS
- 3,343,837 9/1967 Grzybowski 272/137

OTHER PUBLICATIONS

Marcy Catalog ©1983, p. 5, Handle Attachment for Shoulder Raise Machine #7055.

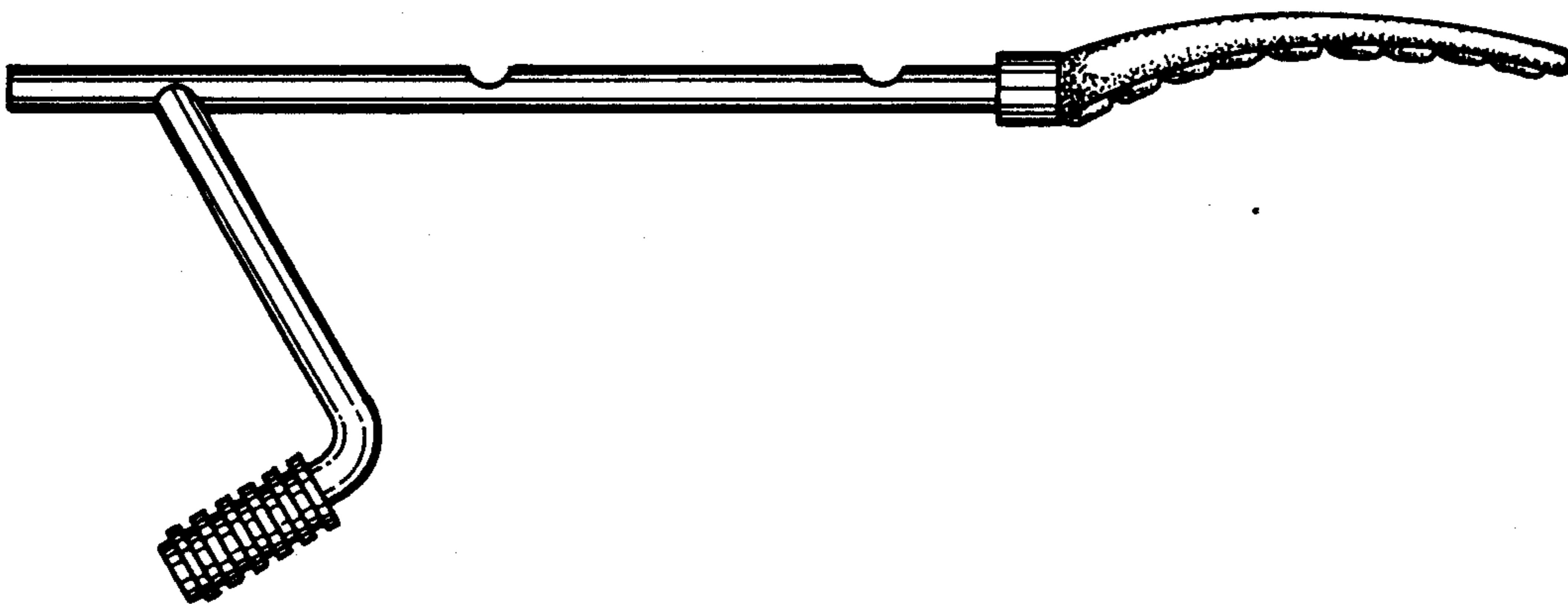
Primary Examiner—Charles A. Rademaker
Attorney, Agent, or Firm—W. C. Tupman

[57] CLAIM

The ornamental design for a frame for barbell weights or similar article, substantially as shown and described.

DESCRIPTION

FIG. 1 is a side elevational view of a frame for barbell weights or similar article showing my new design; FIG. 2 is a top plan view thereof; FIG. 3 is a bottom plan view thereof; FIG. 4 is a left end elevational view thereof; and, FIG. 5 is a right end elevational view thereof.



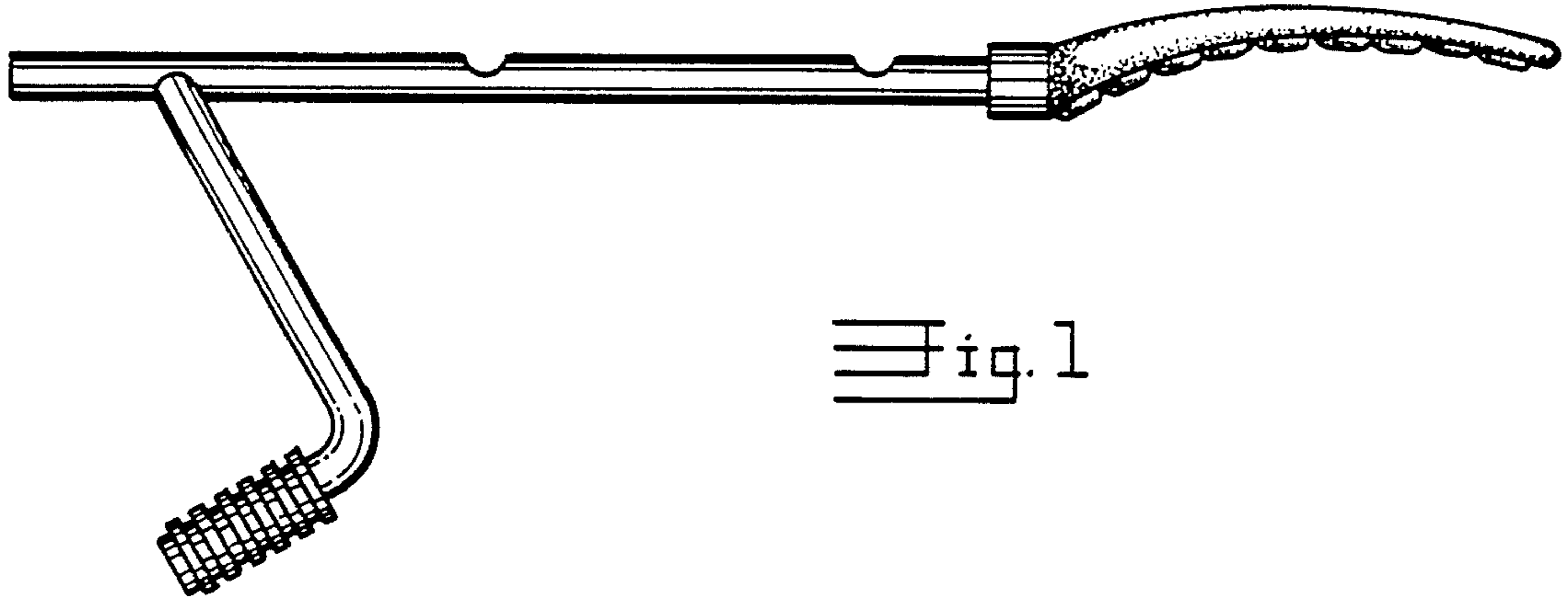


Fig. 1

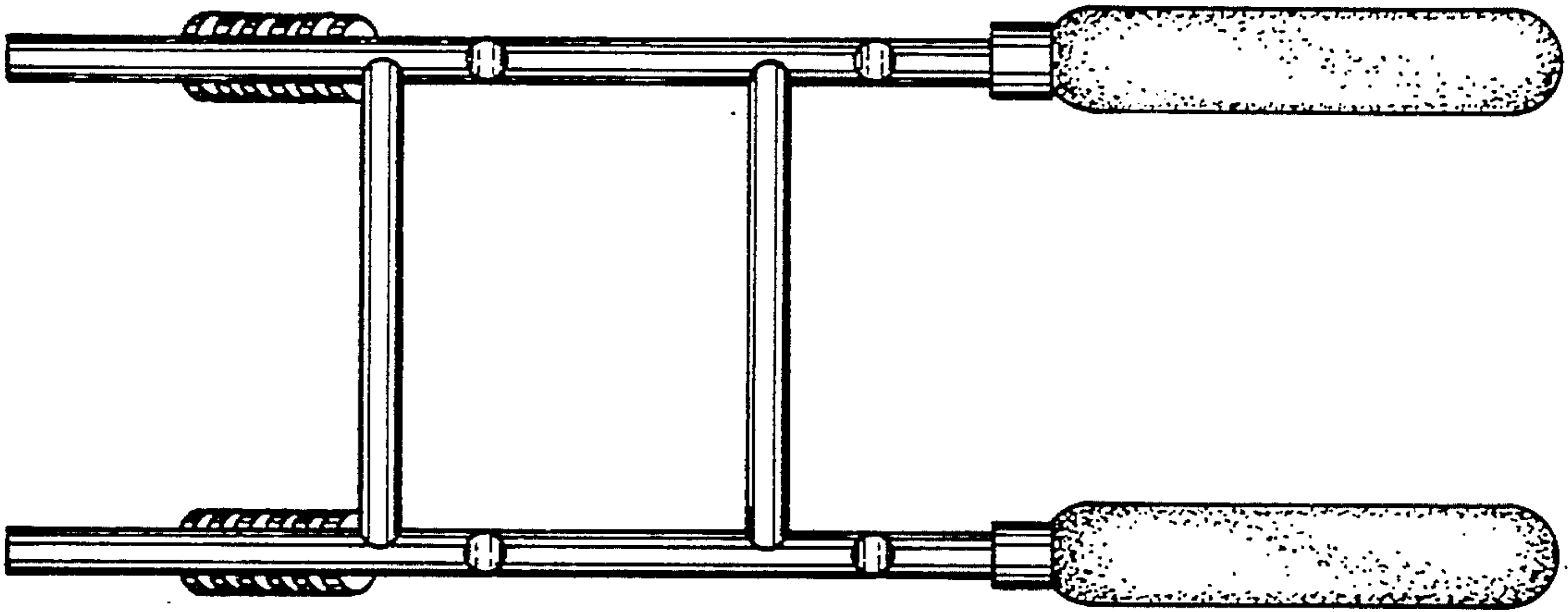


Fig. 2

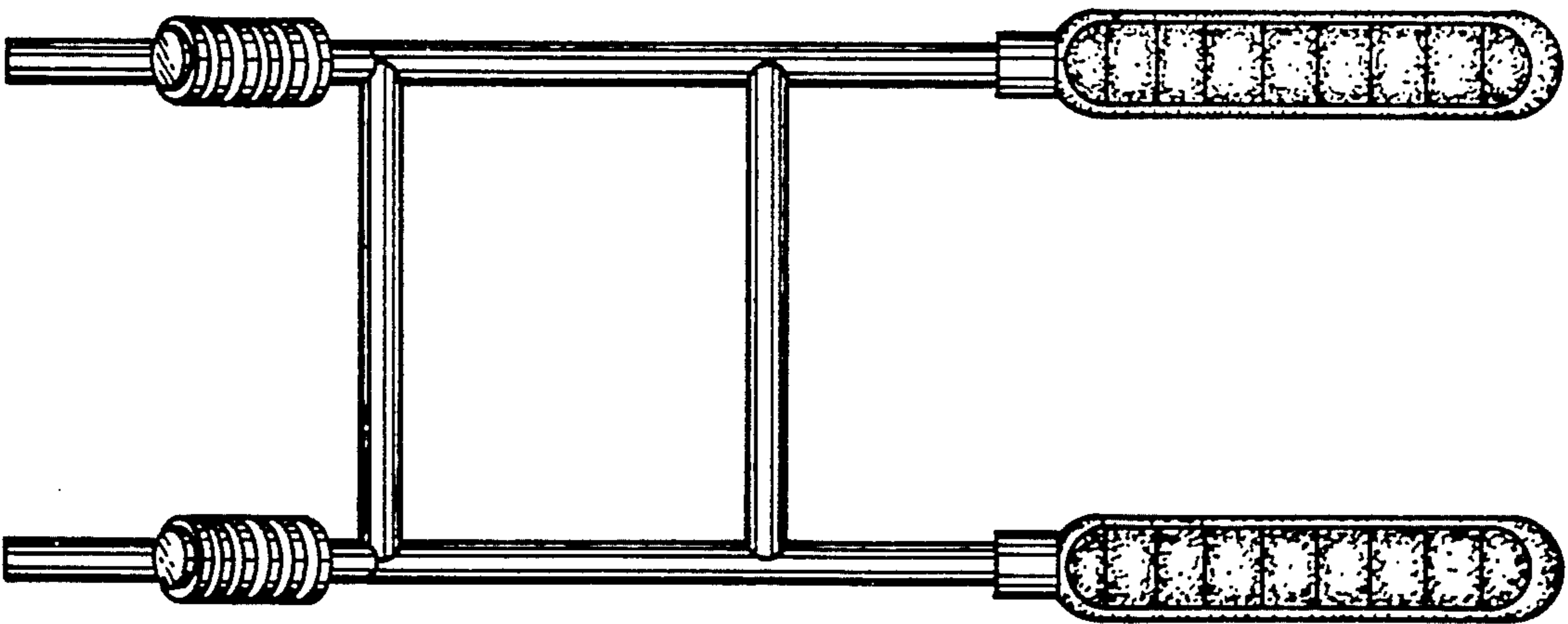


Fig. 3

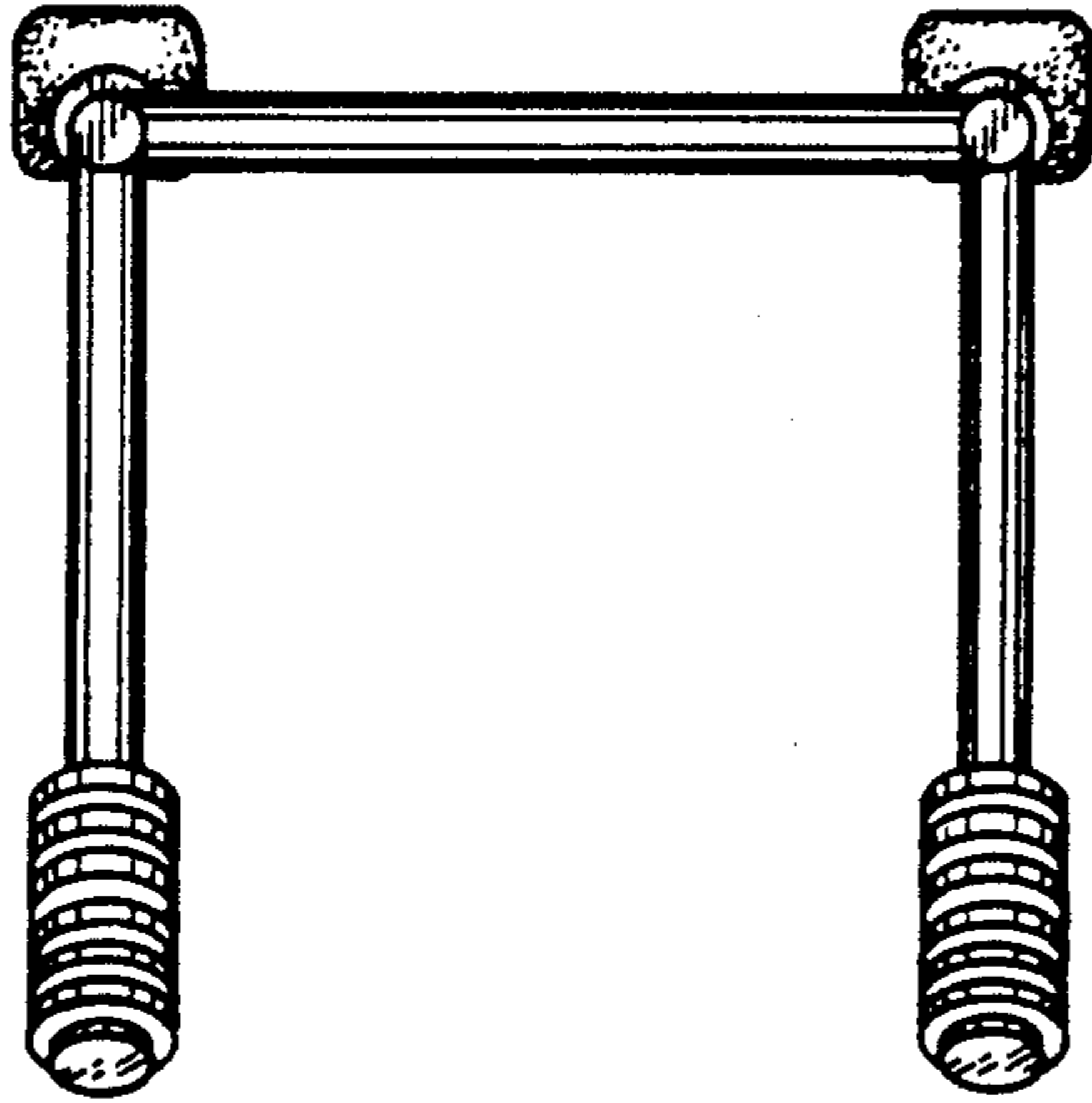


Fig. 4

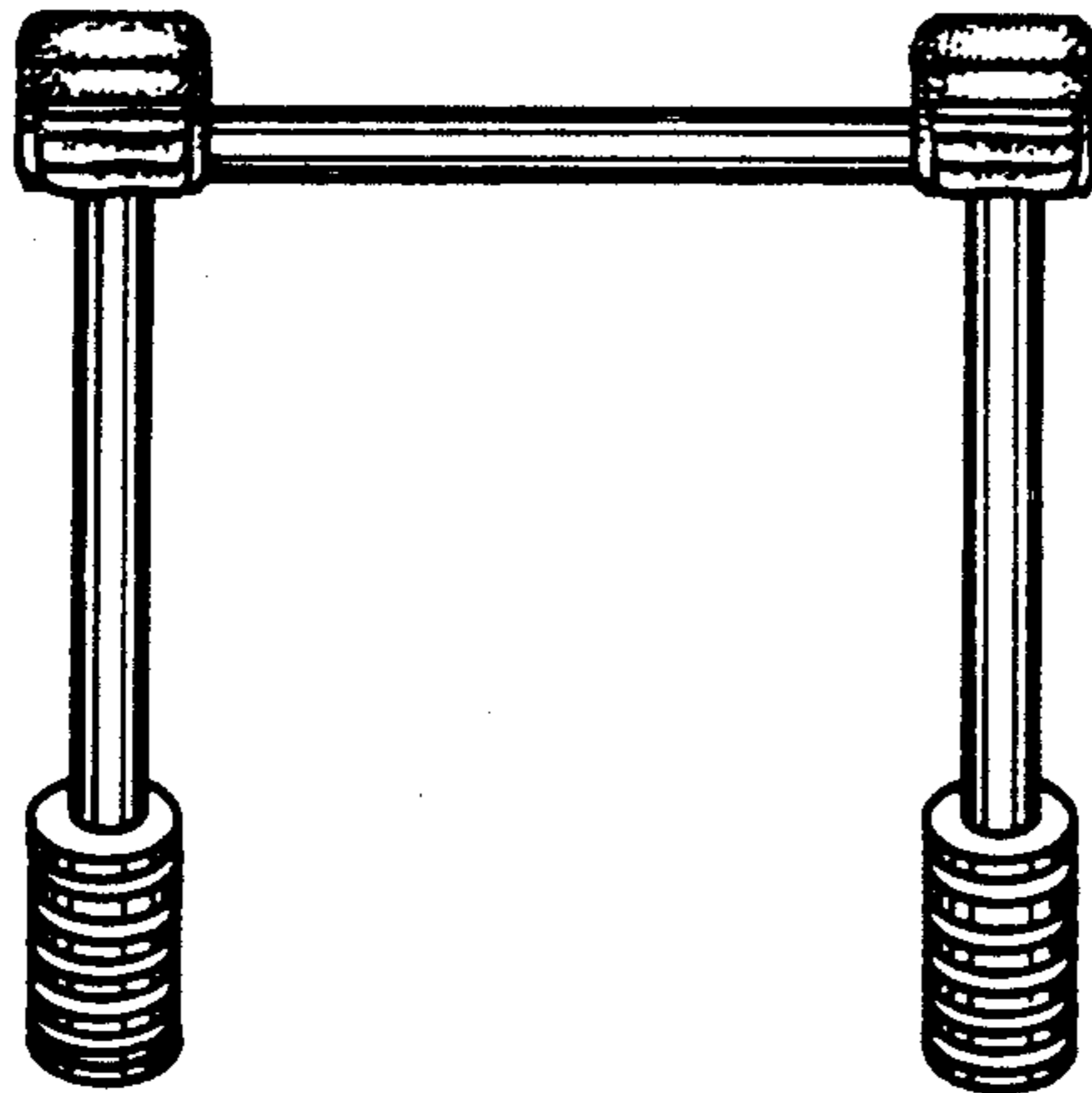


Fig. 5