

[54] TOY TRUCK

D. 181,488 11/1957 Ornas D12/97
2,769,501 11/1956 Wagner D12/96

[75] Inventors: Howard N. Bollinger; Mark D. Boudreaux; Robert E. Cordrey; Charles E. Ligon; David A. Myers; Walter E. Stroud, all of Cincinnati, Ohio; Earl M. Wood, Jr., Newport, Ky.; Jan Van de Merwe, III, Cincinnati, Ohio

OTHER PUBLICATIONS

Hong Kong Toys-1985 Catalog, p. 343, Item #88110. Toy Truck and p. 359, Toy Truck at top of page.

Primary Examiner—Charles A. Rademaker
Attorney, Agent, or Firm—L. MeRoy Lillehaugen; Gene O. Enockson

[73] Assignee: Kenner Parker Toys Inc., Beverly, Mass.

[57] CLAIM

[**] Term: 14 Years

The ornamental design for a toy truck, substantially as shown and described.

[21] Appl. No.: 701,581

DESCRIPTION

[22] Filed: Feb. 14, 1985

[52] U.S. Cl. D21/134

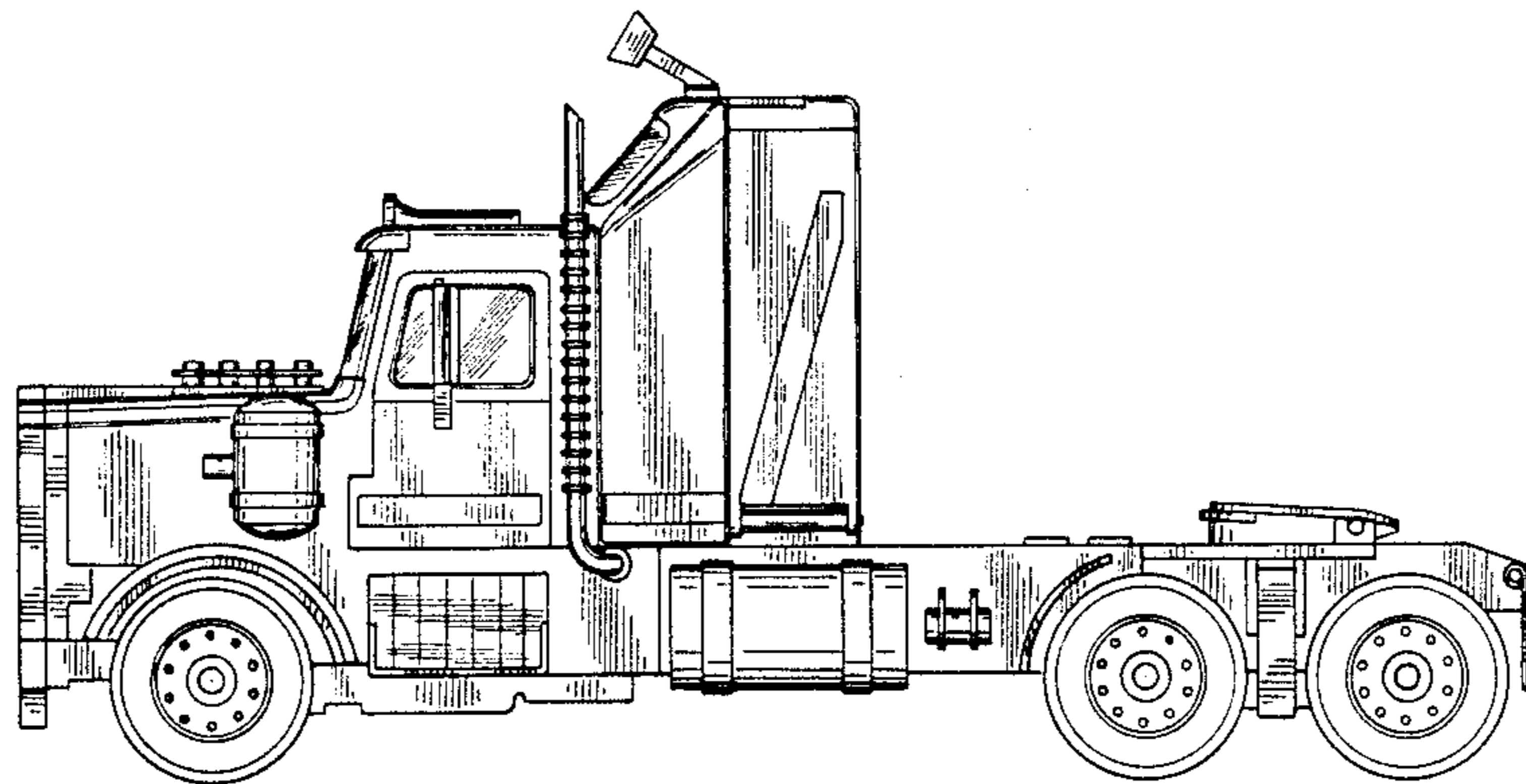
[58] Field of Search D21/71, 73, 76, 78, D21/77, 79, 80, 128, 132, 134, 135, 136, 137, 140, 141; 446/465, 466, 468, 469, 470, 471, 434; D12/96, 97

FIG. 1 is a left side elevational view of a toy truck showing our new design;
FIG. 2 is a top plan view thereof;
FIG. 3 is a bottom plan view thereof;
FIG. 4 is a right side elevational view thereof;
FIG. 5 is a front elevational view thereof;
FIG. 6 is a rear elevational view thereof; and
FIG. 7 is a left side elevational view of the toy truck which is similar to FIG. 1, but showing the truck in a slightly different condition.

[56] References Cited

U.S. PATENT DOCUMENTS

D. 93,959 12/1934 Alborn et al. D12/97



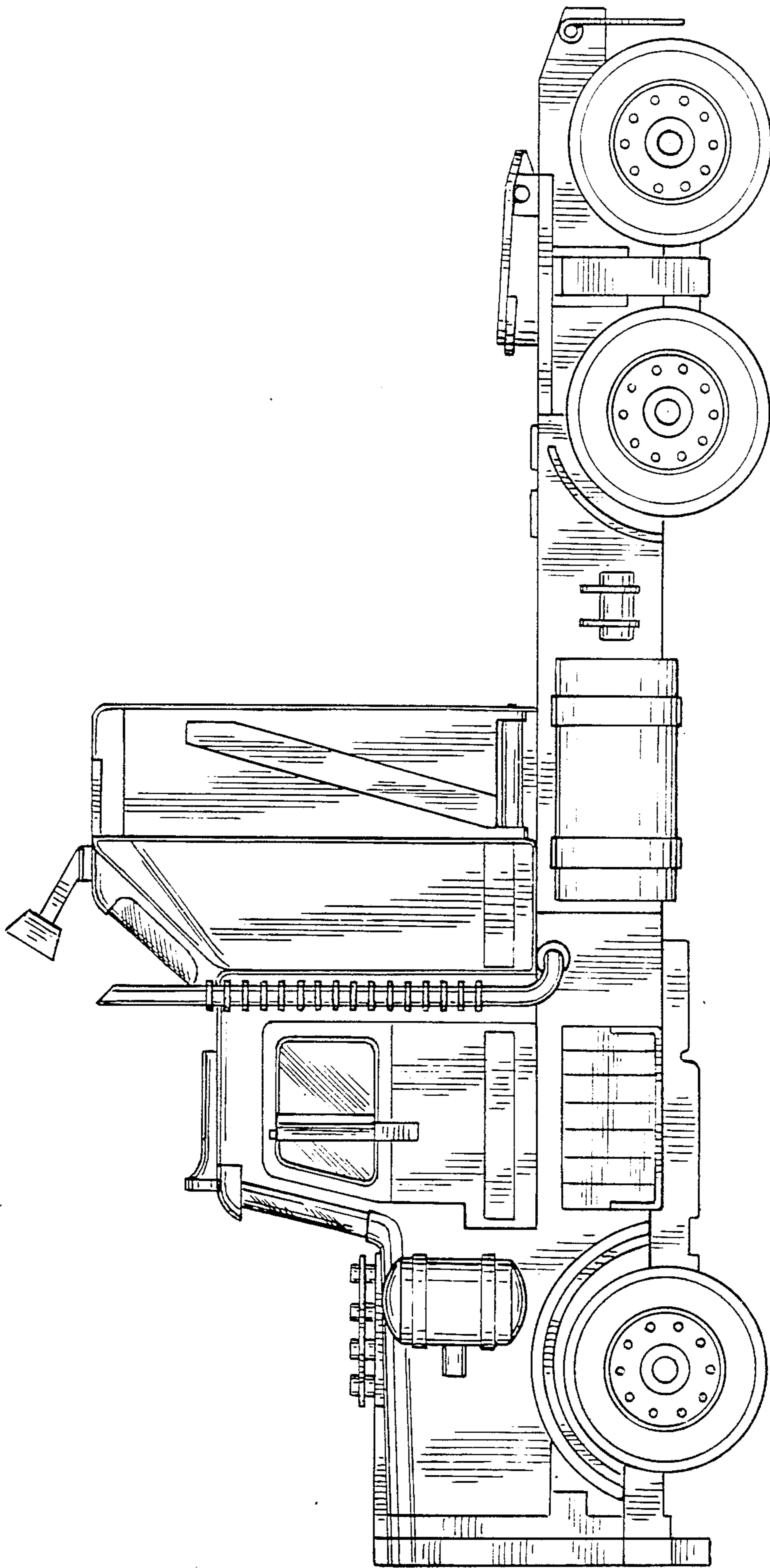


FIG. 2

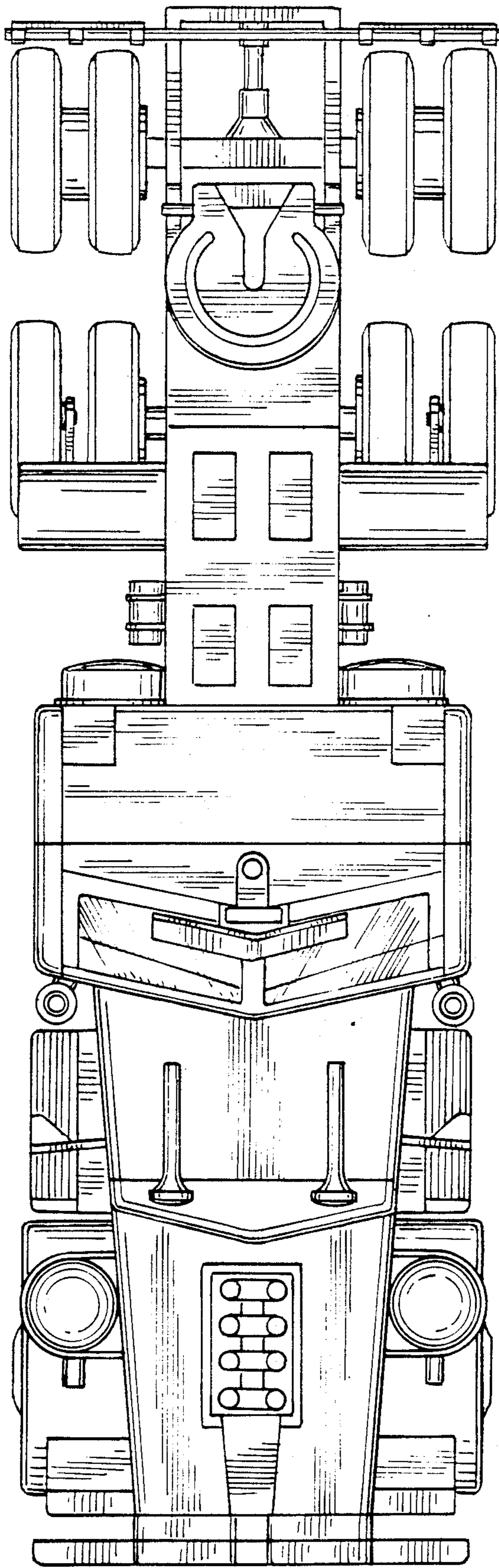


FIG. 2

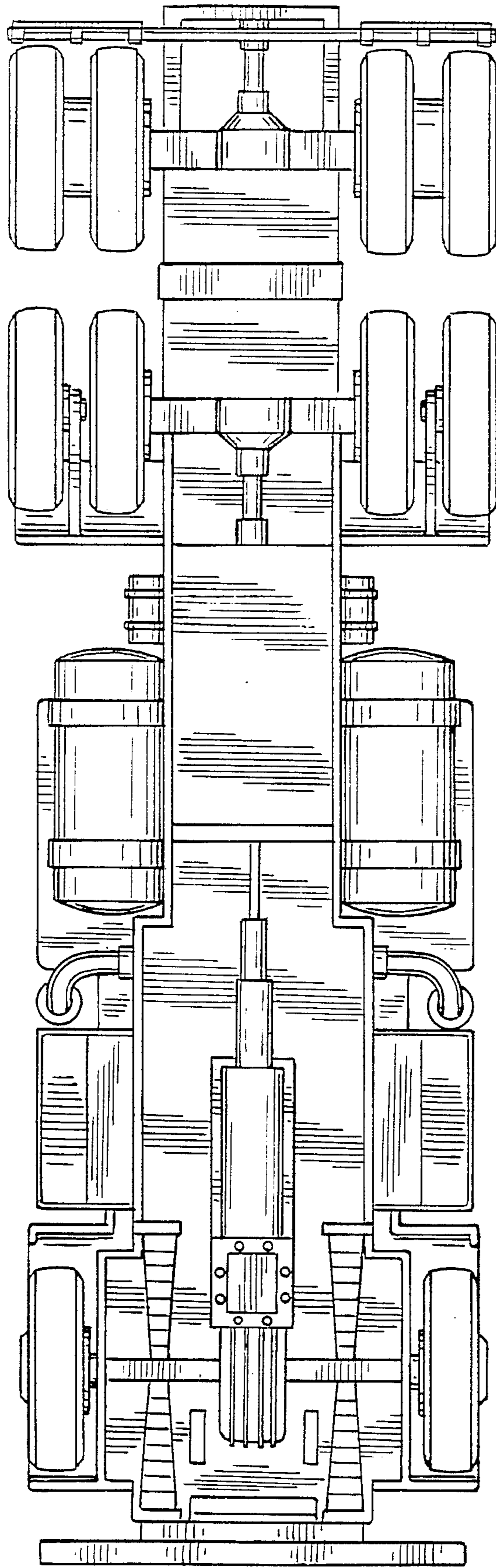


FIG. 3

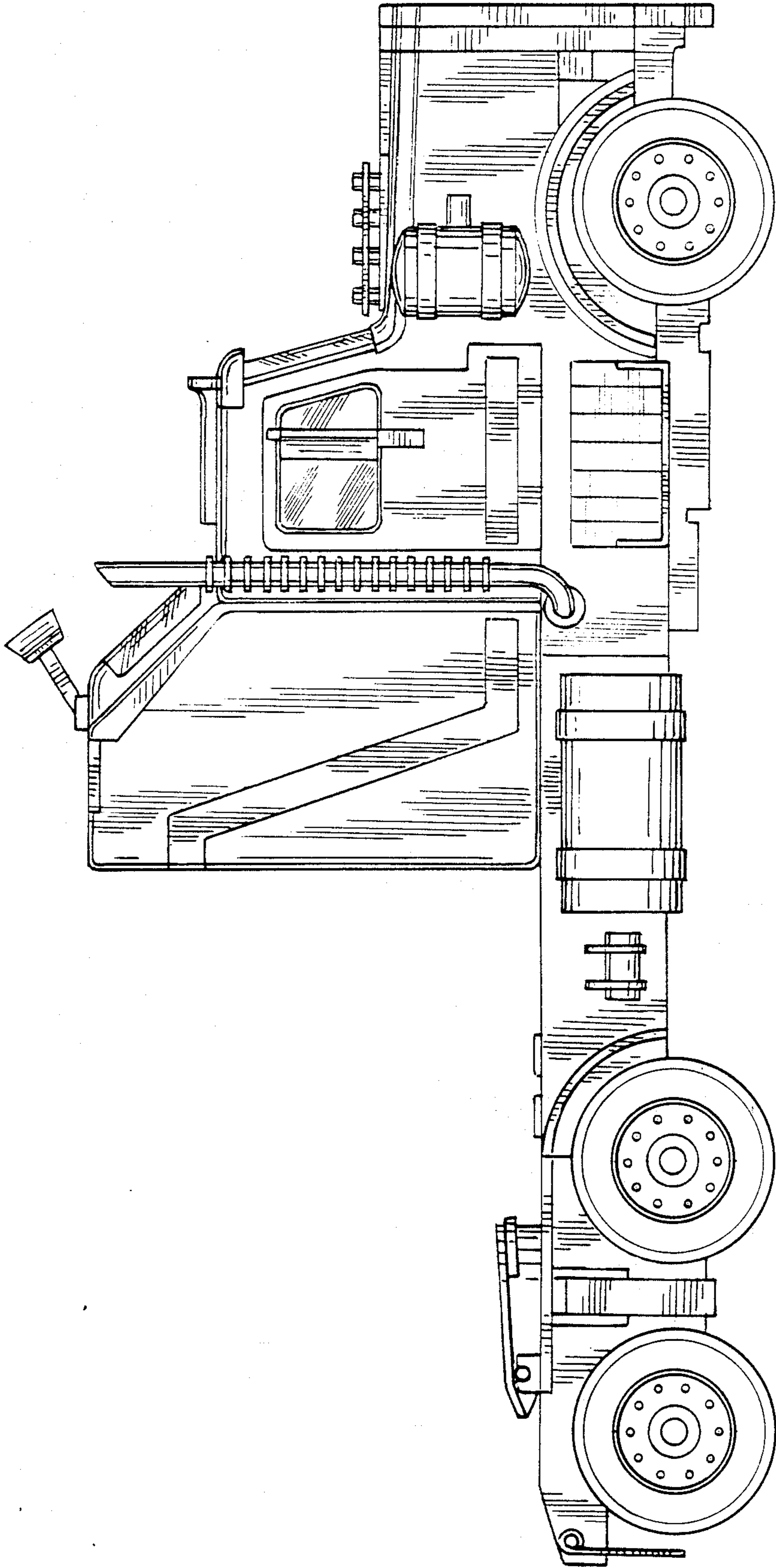


FIG. 4

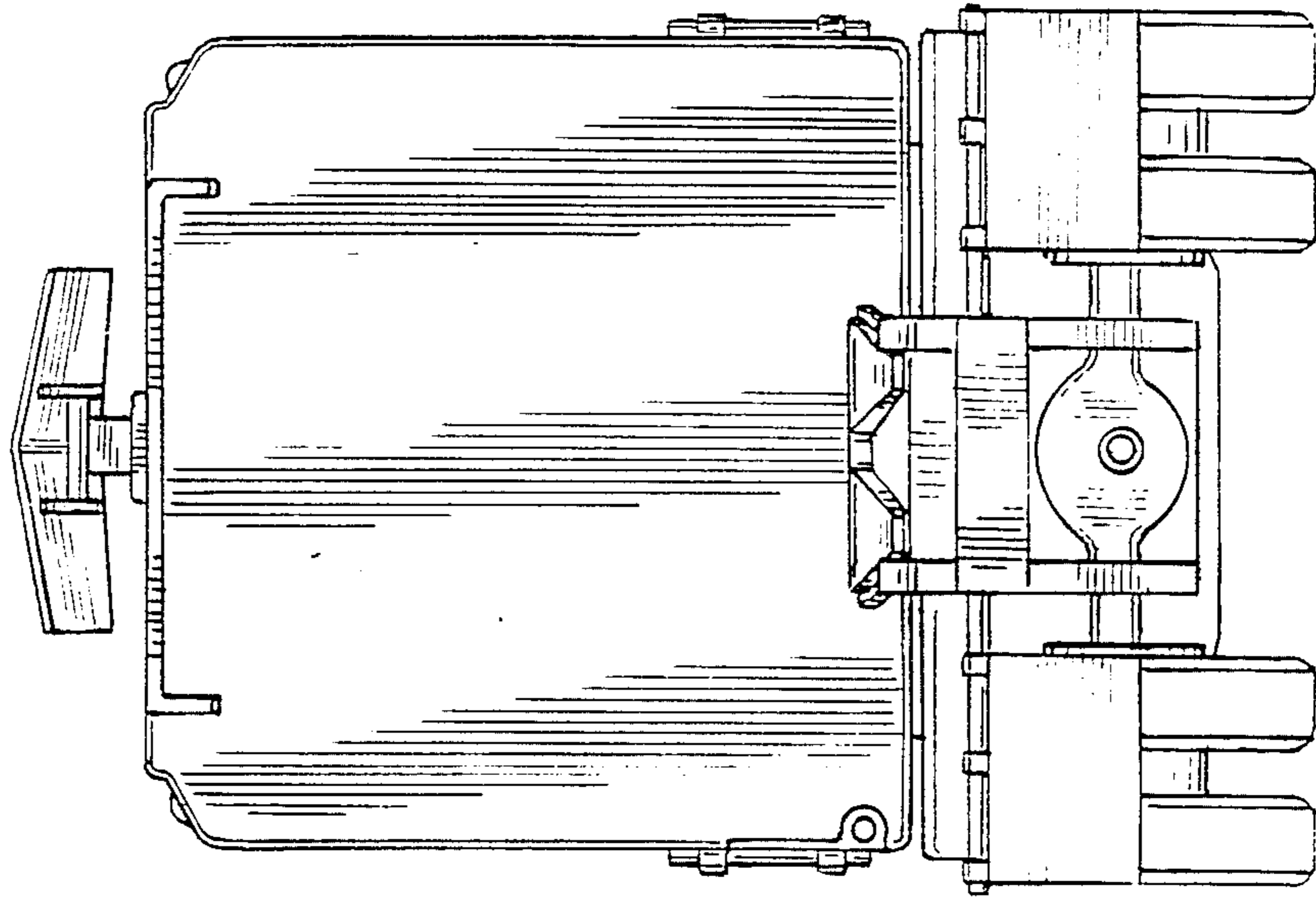


FIG. 6

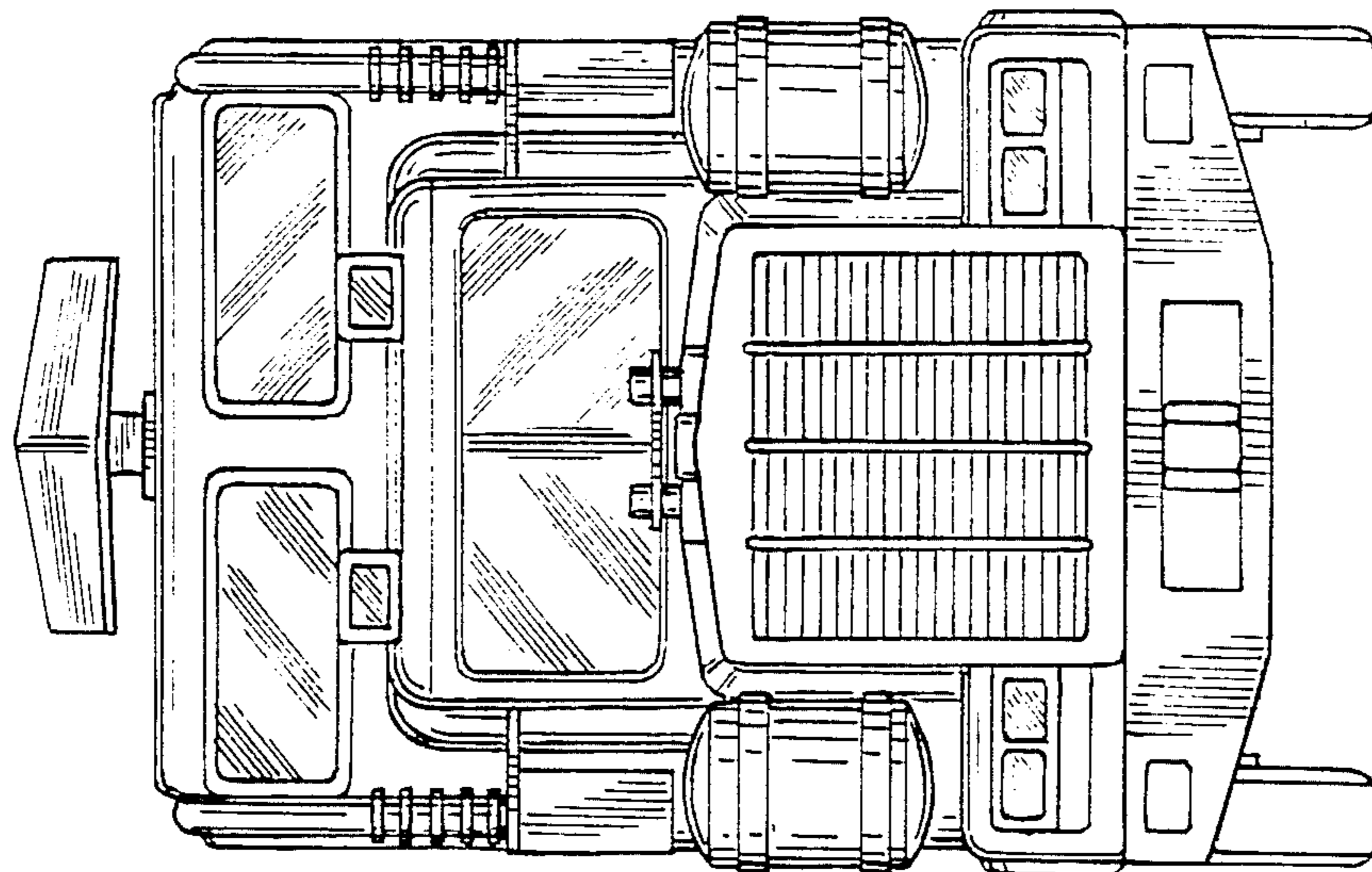


FIG. 5

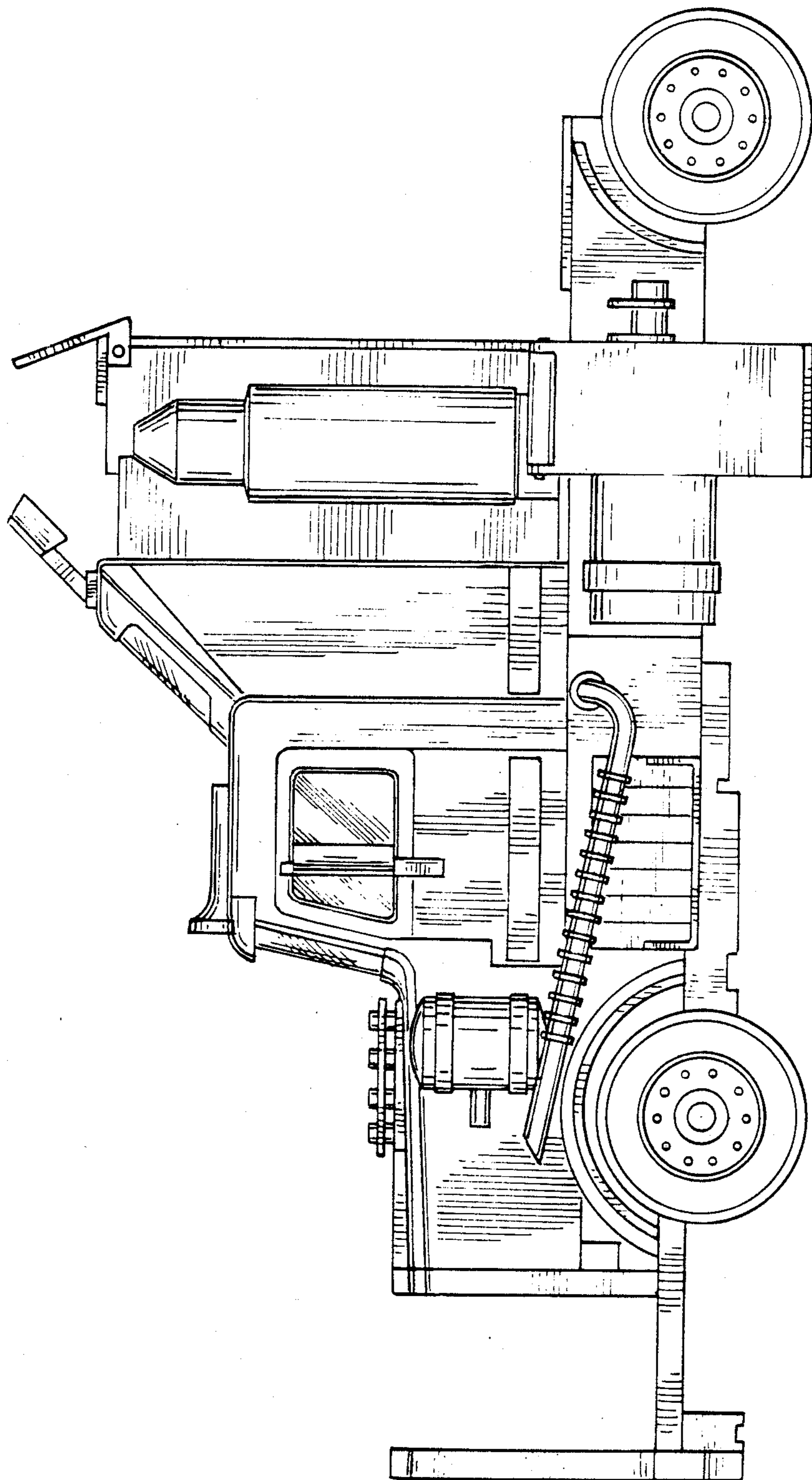


FIG. 7