

[54] POP TOP CHESS GAME PIECE

[76] Inventor: Michael Harris, Rte. 1, Hennessey, Okla. 73742

[\*\*] Term: 14 Years

[21] Appl. No.: 641,504

[22] Filed: Aug. 16, 1984

[52] U.S. Cl. .... D21/52

[58] Field of Search ..... D21/51, 52; 273/260, 273/288; D7/17, 40; D9/428, 429, 435, 454

[56] References Cited

U.S. PATENT DOCUMENTS

4,021,043 5/1977 Lucero ..... 273/260

FOREIGN PATENT DOCUMENTS

552934 4/1943 United Kingdom ..... D21/52

OTHER PUBLICATIONS

Modern Packaging, Aug., 1971, p. 46, upper right, tops.

Primary Examiner—Melvin B. Feifer

Attorney, Agent, or Firm—Don E. Ferrell

[57] CLAIM

The ornamental design for pop top chess game piece, as shown and described.

DESCRIPTION

FIG. 1 is a perspective view of a pop top chess game piece showing my new design;

FIG. 2 is a side elevation view thereof; and

FIG. 3 is a bottom plan view thereof.

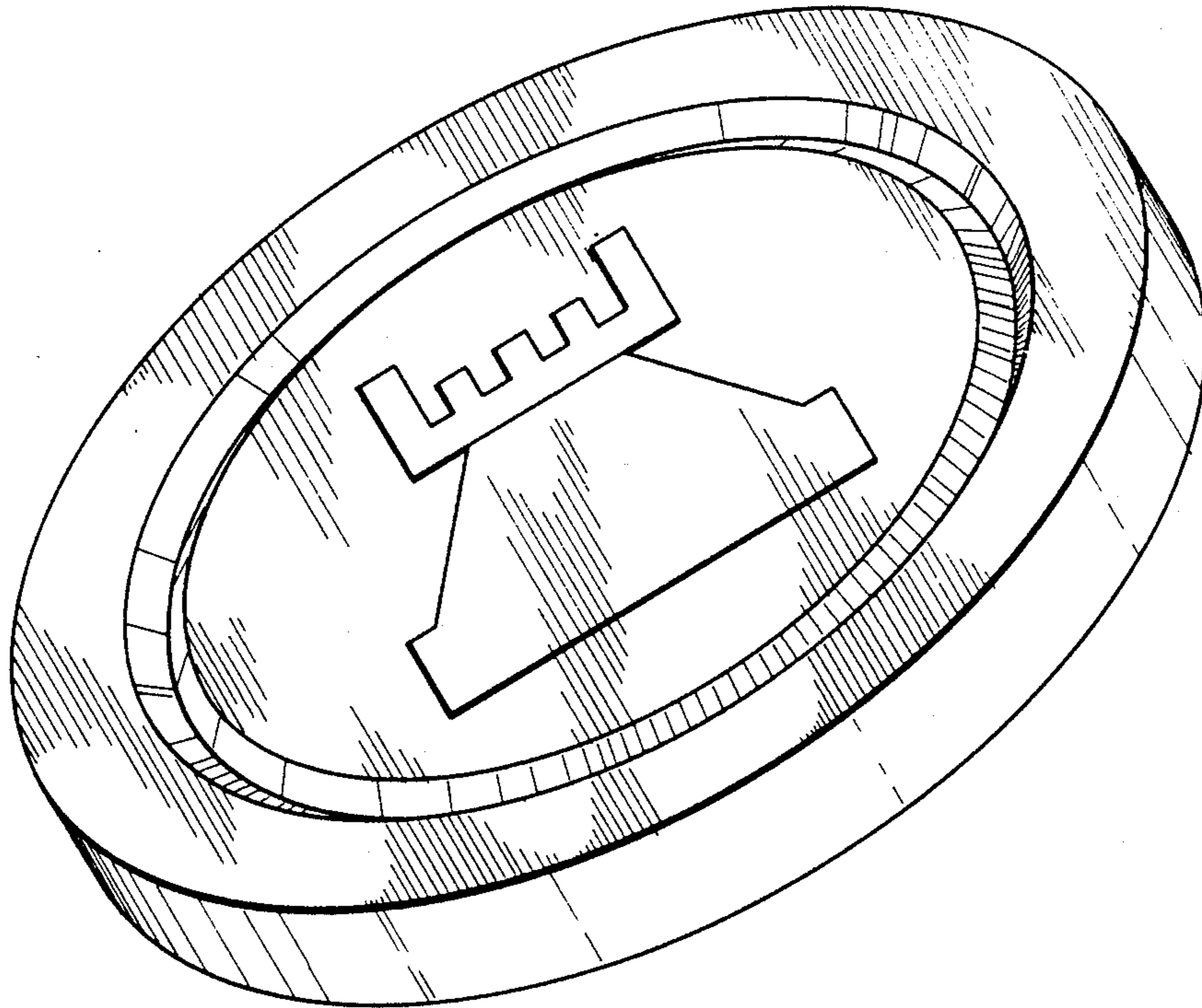


FIG 1

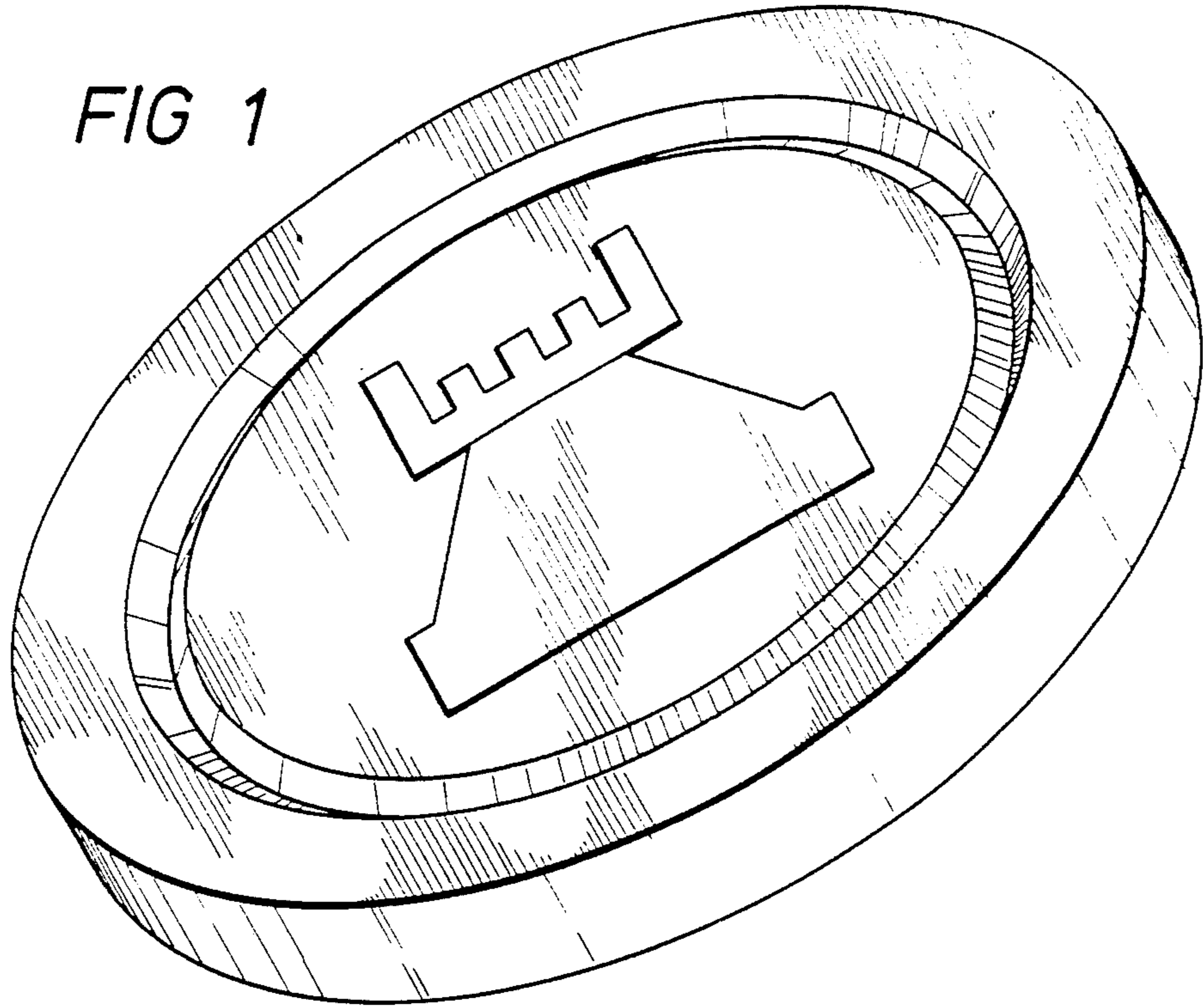


FIG 2

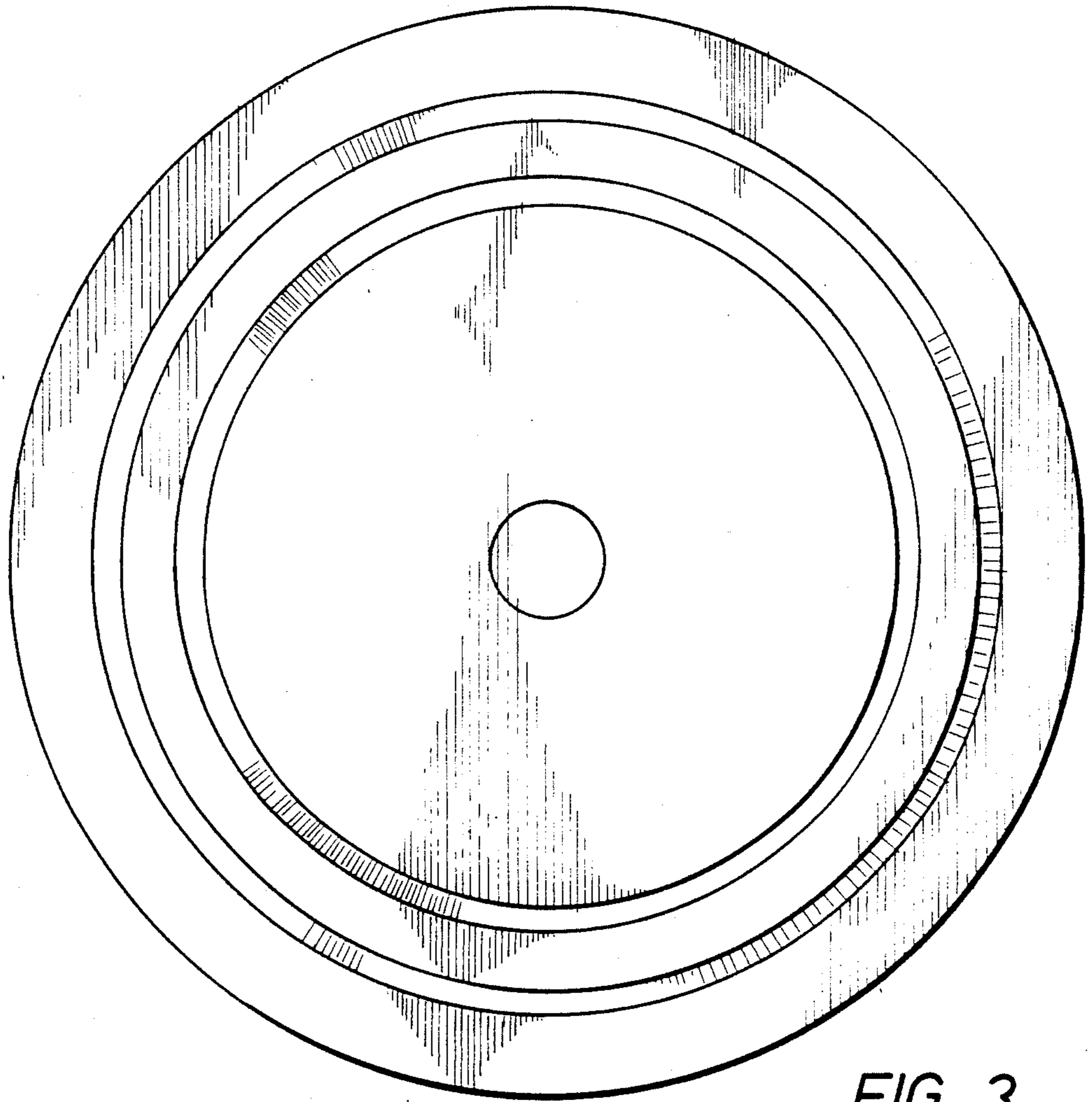


FIG 3