

[54] APERTURED SPINNER FOR A GAME BOARD

[76] Inventor: Abele Cafaro, Jr., 51 Lockwood Ave., Howell, N.J. 07731

[\*\*] Term: 14 Years

[21] Appl. No.: 711,619

[22] Filed: Mar. 14, 1985

[52] U.S. Cl. .... D21/22; D10/127

[58] Field of Search ..... D21/22; 273/141 R; D19/64; D10/127, 126, 125, 122

[56] References Cited

U.S. PATENT DOCUMENTS

D. 122,266	9/1940	Hannan	.....	D10/127
1,540,288	6/1925	Schallis	.....	273/141 R
3,117,791	1/1964	Kouba	.....	D21/27

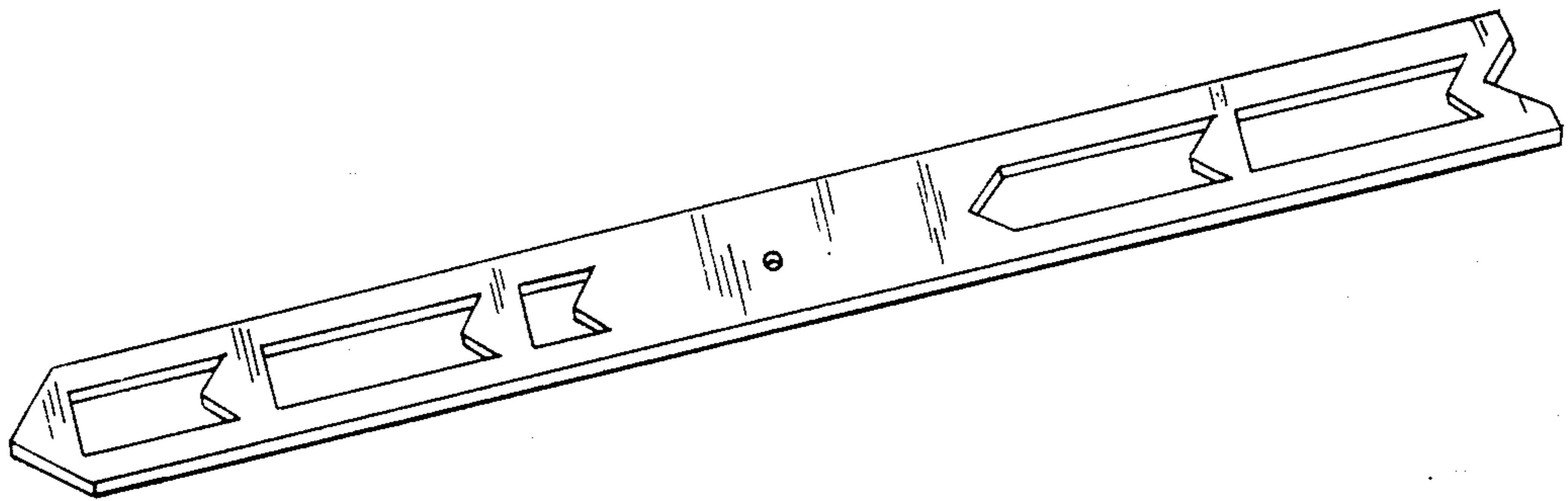
Primary Examiner—Melvin B. Feifer  
Attorney, Agent, or Firm—Charles I. Brodsky

[57] CLAIM

The ornamental design for an apertured spinner for a game board, substantially as shown and described.

DESCRIPTION

FIG. 1 is a perspective view of an apertured spinner for a game board, showing my new design;  
FIG. 2 is a side view thereof;  
FIG. 3 is a front view thereof;  
FIG. 4 is a rear view thereof; and  
FIG. 5 is a top view thereof, showing my new design.



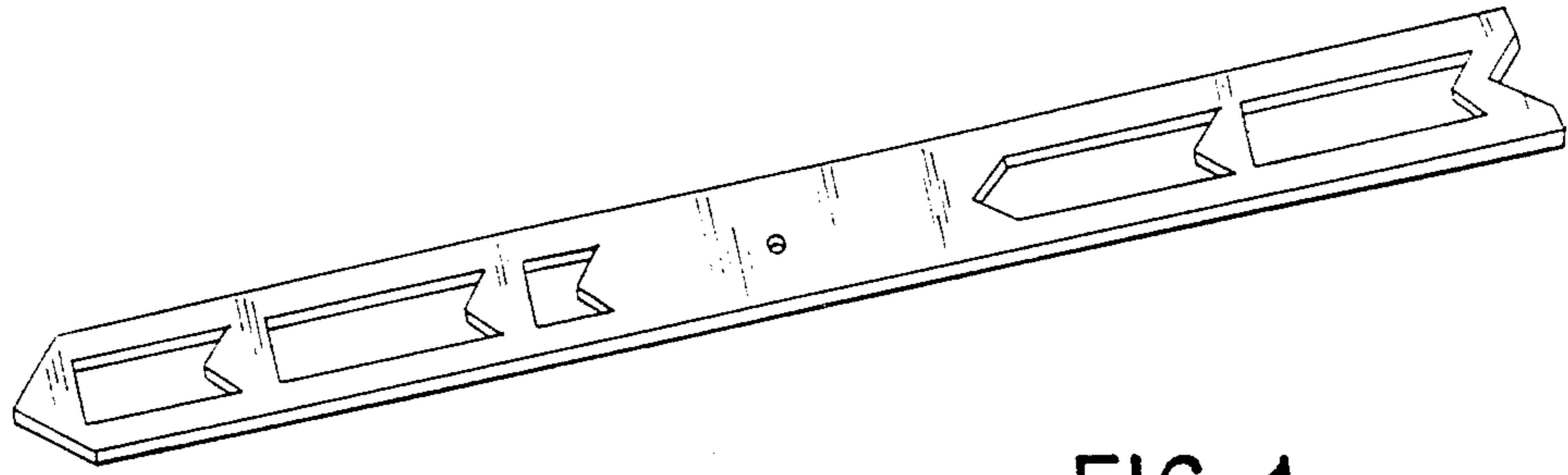


FIG. 1

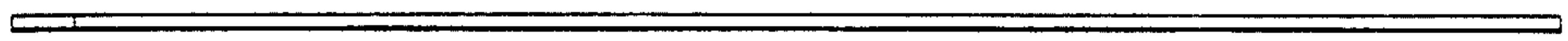


FIG. 2



FIG. 3

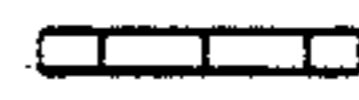


FIG. 4



FIG. 5