

[54] ENGRAVER FOR FINGER RING AND BRACELET

1,627,205 5/1927 Seaborne ..... 409/86 X  
2,293,100 8/1942 Baumgold ..... 409/86 X  
3,608,429 9/1971 Berlant ..... 409/86

[76] Inventor: Yen-Shen Jen, No. 64, Alley 75, Yu-Pin Lane, Sec. 3, Du-Hsin Road, Pan Chiao City, Taipei Hsien, Taiwan

Primary Examiner—Louis S. Zarfes  
Attorney, Agent, or Firm—Lowe, Price, LeBlanc, Becker & Shur

[\*\*] Term: 14 Years

[57] CLAIM

[21] Appl. No.: 764,178

The ornamental design for an engraver for finger ring and bracelet, as shown and described.

[22] Filed: Aug. 9, 1985

DESCRIPTION

[52] U.S. Cl. .... D18/13

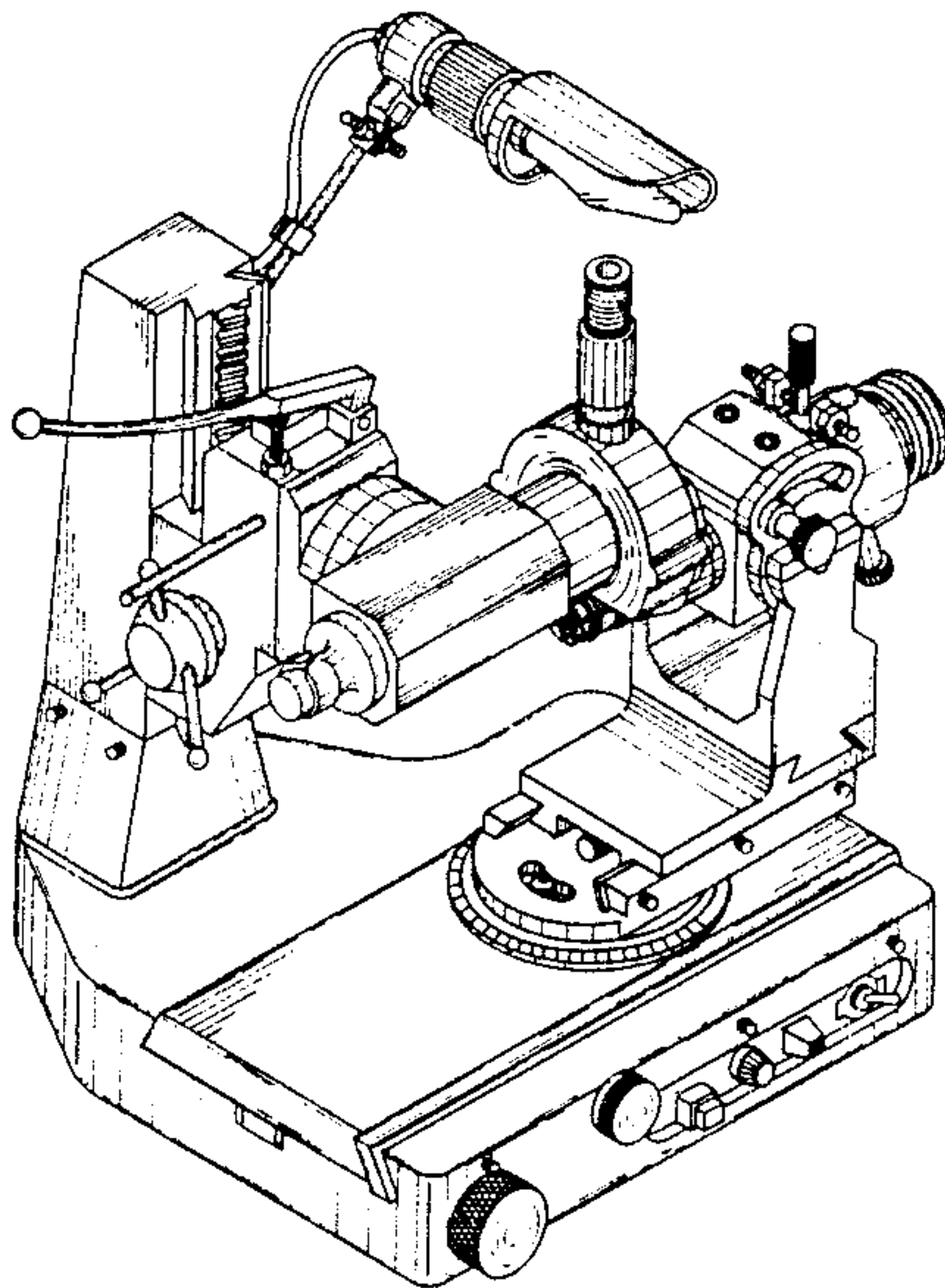
[58] Field of Search ..... D18/13, 14, 18, 22; 101/3 R; 30/164.9; 33/19:1; 358/299; 409/86

FIG. 1 is a perspective view of an engraver for finger ring and bracelet showing my new design; FIG. 2 is a front elevational view; FIG. 3 is a rear elevational view; FIG. 4 is a right side elevational view; FIG. 5 is a left side elevational view; and FIG. 6 is a top plan view.

[56] References Cited

U.S. PATENT DOCUMENTS

D. 280,642 9/1985 Neiman ..... D18/13



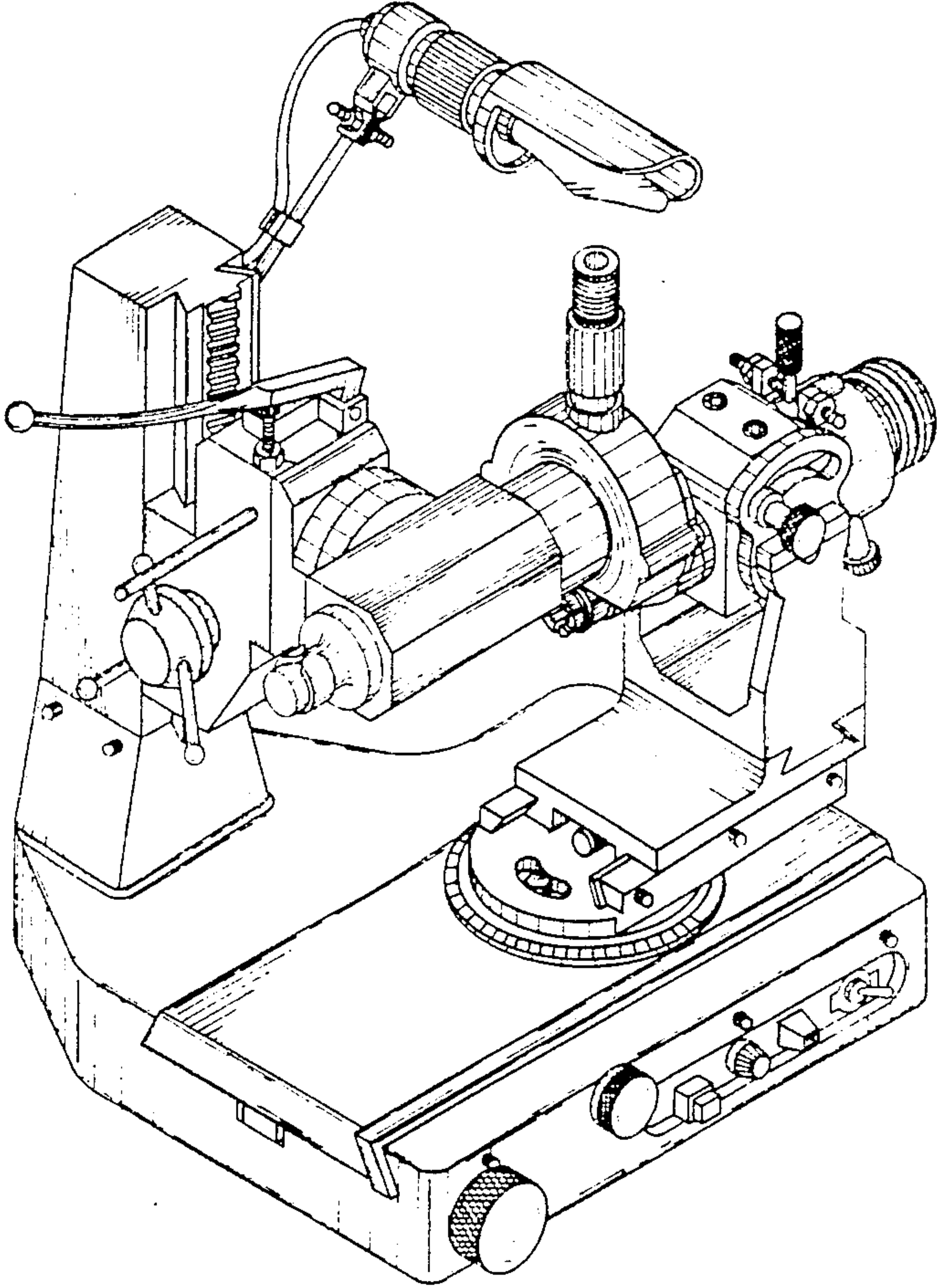


FIG. 1

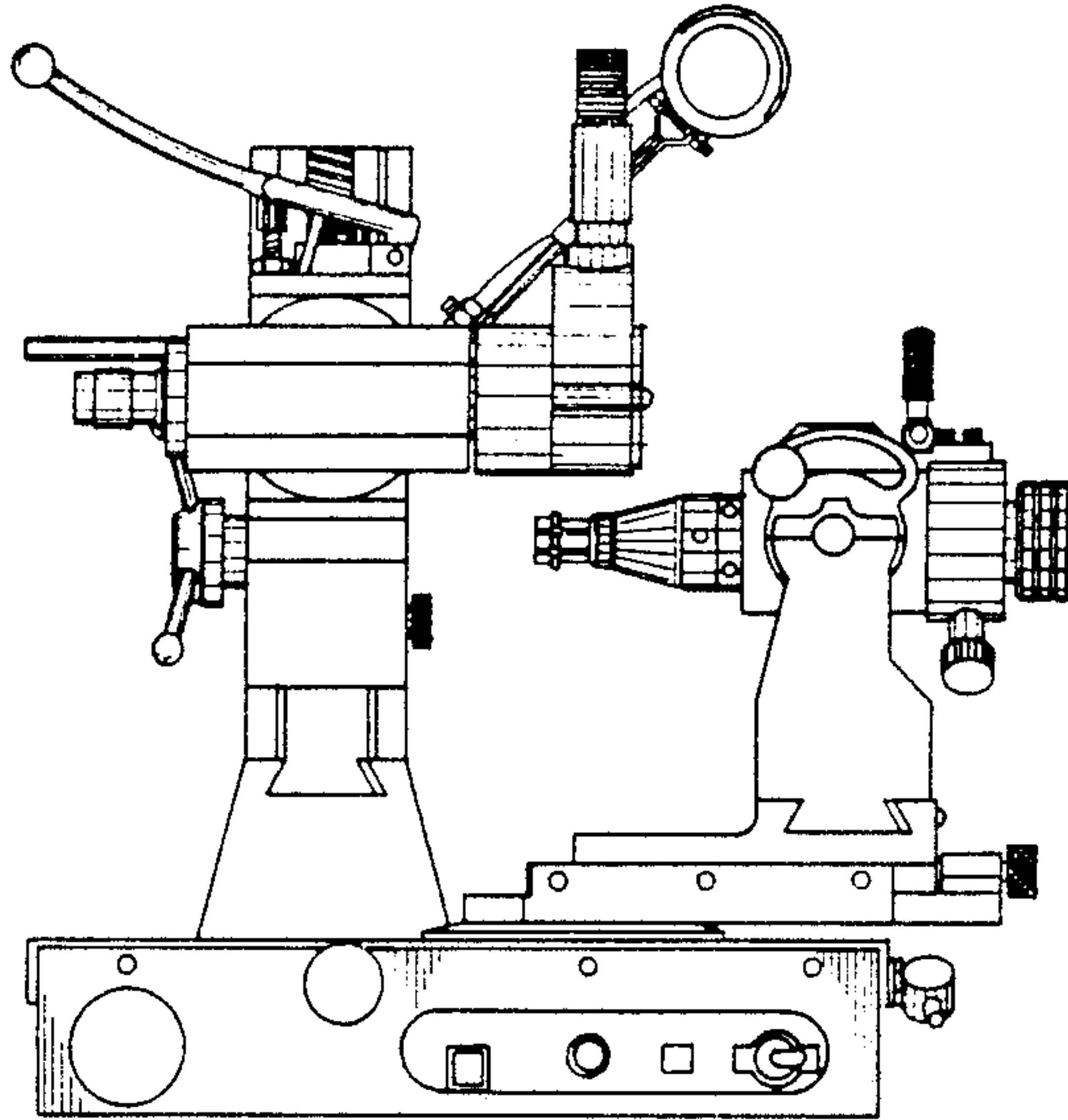


FIG. 2

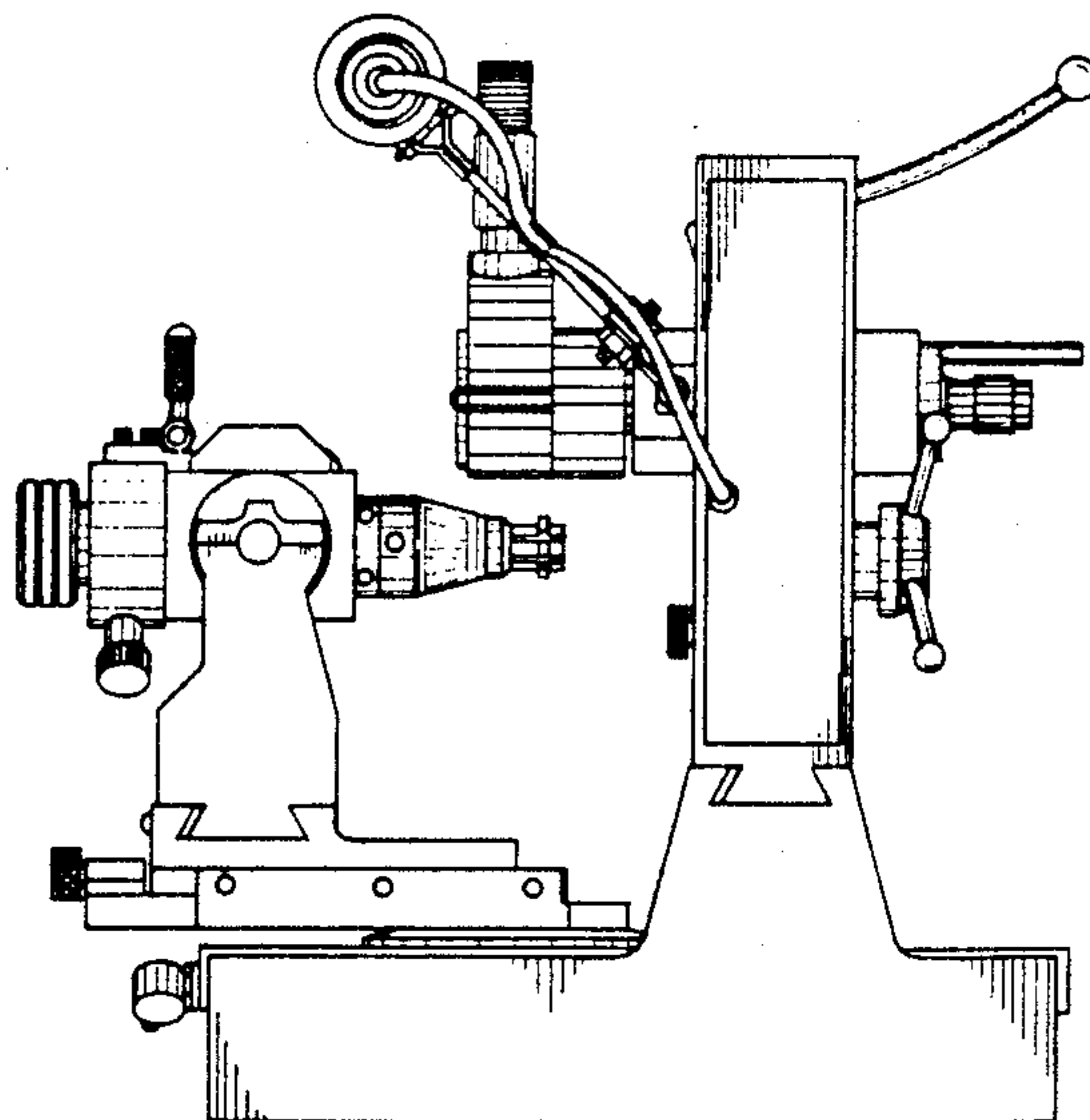


FIG. 3

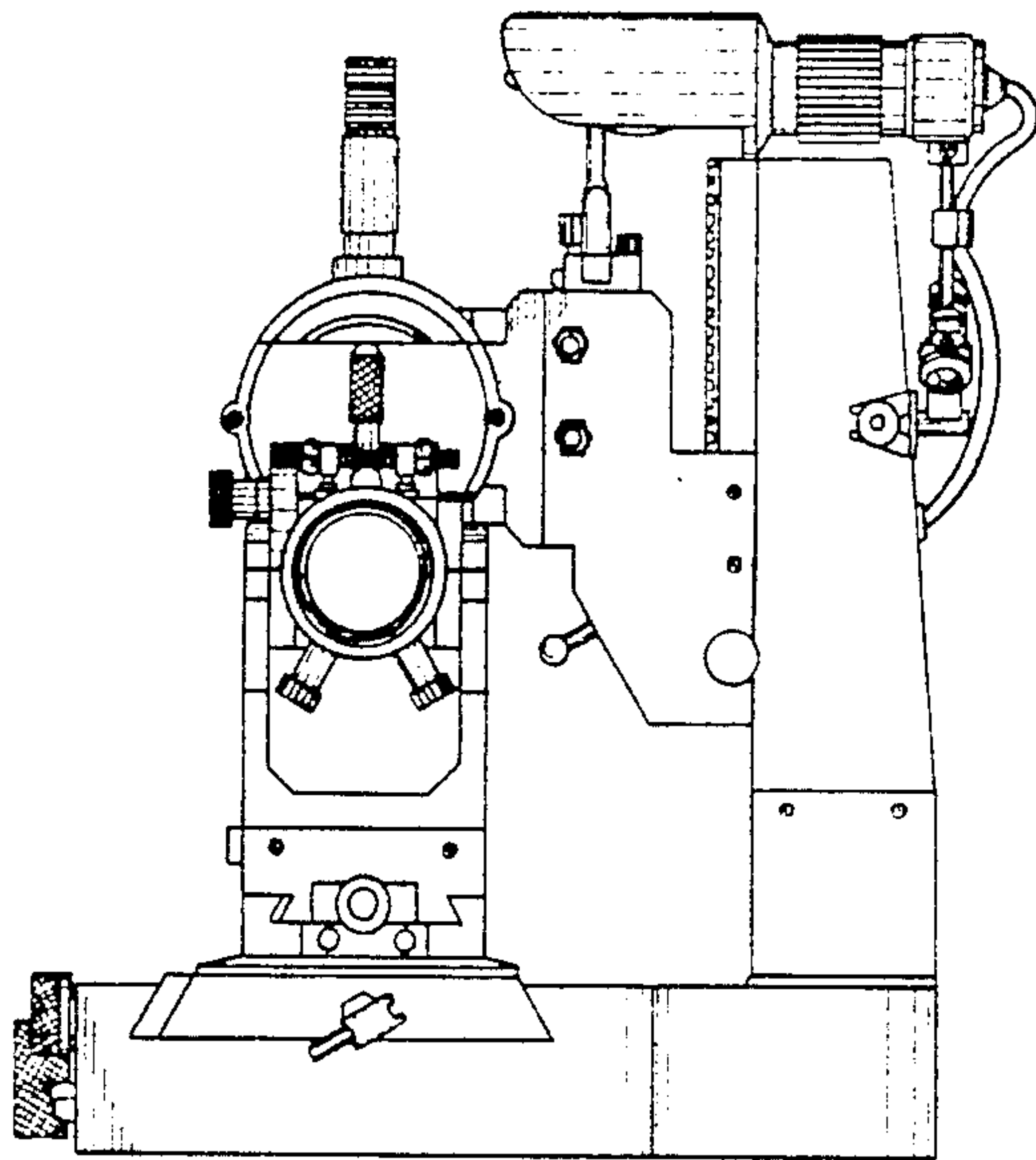


FIG. 4

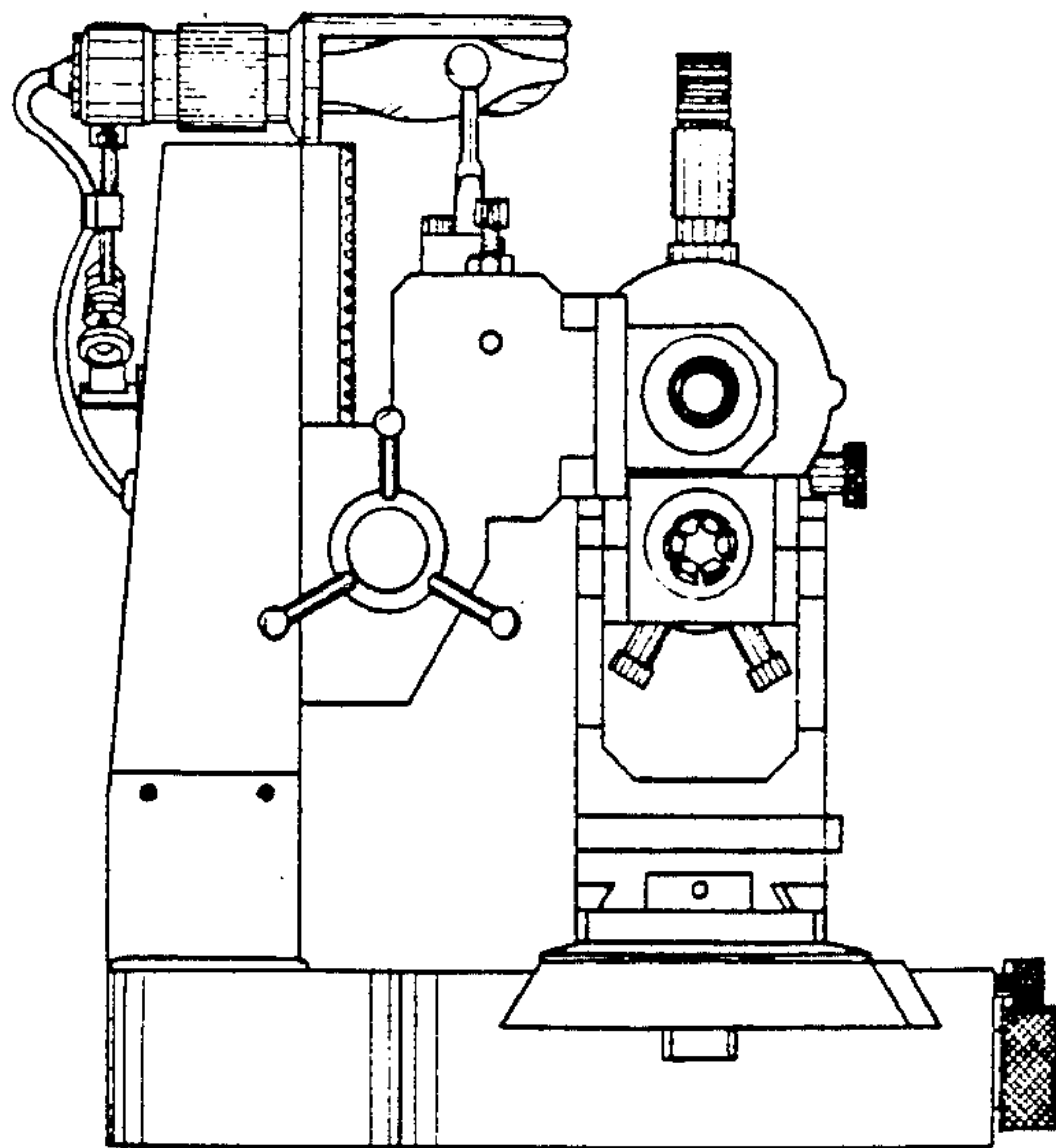


FIG. 5

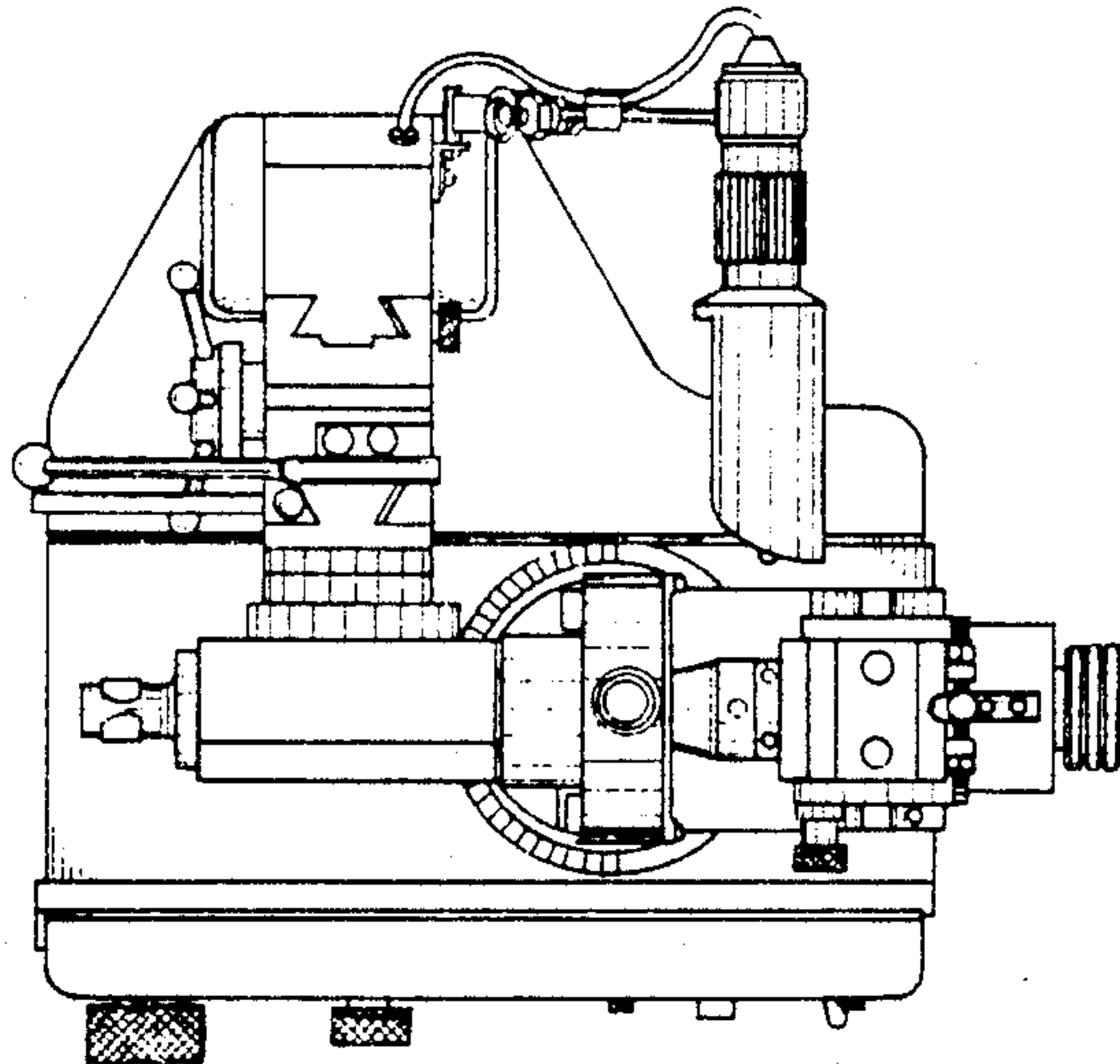


FIG. 6