

[54] **ADJUSTABLE DISPLAY TERMINAL**

4,577,187 3/1986 Barr et al. .... 340/700

[75] Inventor: **Michael H. Sharp**, Palmhall Close,  
England

[73] Assignee: **International Business Machines Corporation**, Armonk, N.Y.

[\*\*] Term: **14 Years**

[21] Appl. No.: **675,928**

[22] Filed: **Nov. 27, 1984**

[30] **Foreign Application Priority Data**

May 30, 1984 [GB] United Kingdom ..... 1019970

[52] U.S. Cl. .... **D14/113**

[58] Field of Search ..... D14/100, 106, 113, 114,  
D14/77, 80, 81, 82, 84; 340/700, 711, 720;  
358/248, 249, 254; 312/7.2; 248/178, 179, 183,  
184, 186, 371, 346, 349, 157, 158

[56] **References Cited**

**U.S. PATENT DOCUMENTS**

- D. 159,464 8/1950 Adler ..... D14/80
- D. 274,726 7/1984 Cauen ..... D14/113
- D. 280,623 9/1985 Marshall ..... D14/106

**OTHER PUBLICATIONS**

Computer Design, 5-1981, p. 134, Sanders Graphic 8 Monitor.

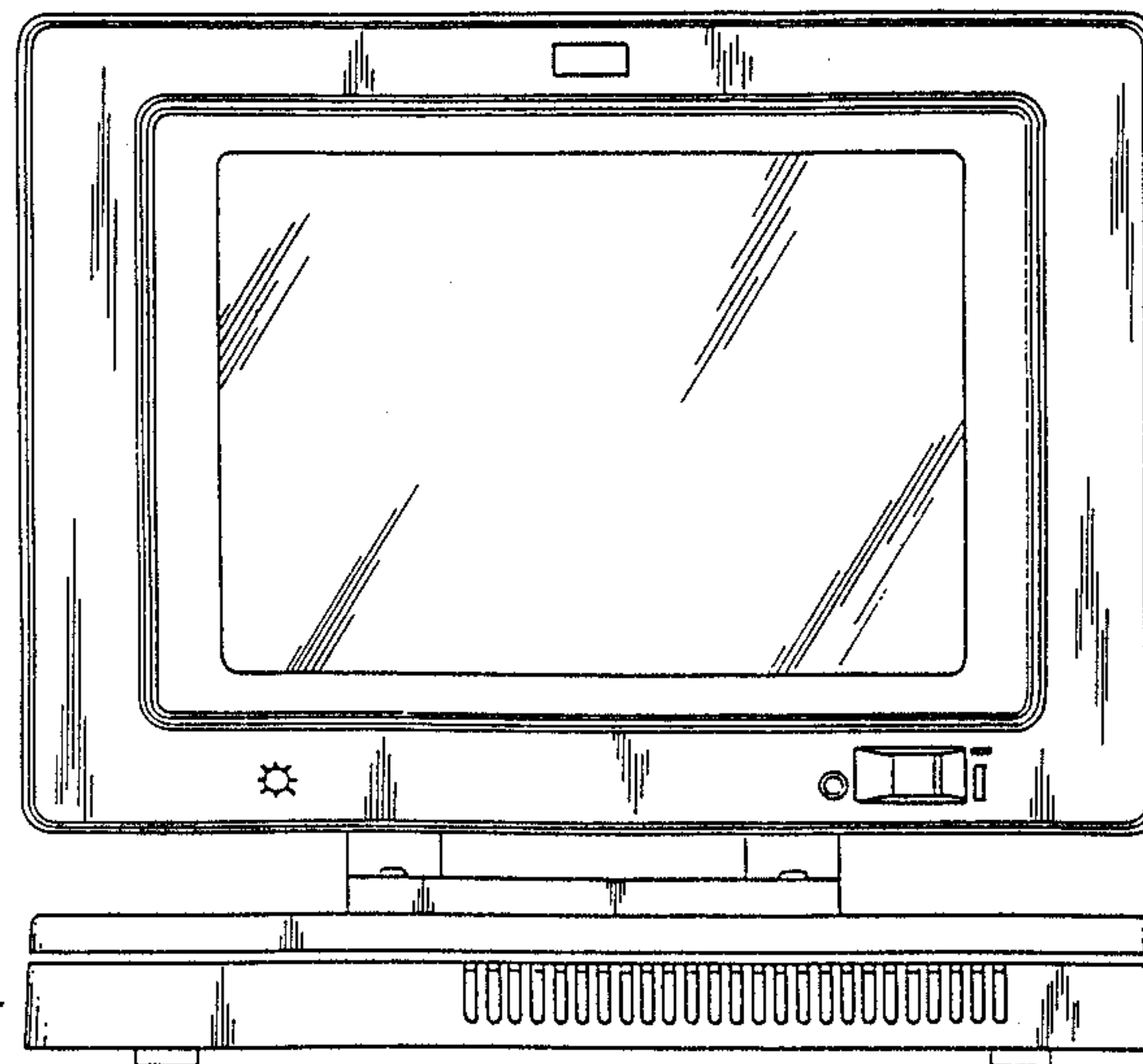
*Primary Examiner*—Susan J. Lucas  
*Attorney, Agent, or Firm*—Frederick D. Poag

[57] **CLAIM**

The ornamental design for a adjustable display terminal, substantially as shown and described.

**DESCRIPTION**

FIG. 1 is front elevational view of an adjustable display terminal showing my new design;  
FIG. 2 is a rear elevational view thereof;  
FIG. 3 is a top plan view thereof;  
FIG. 4 is a bottom plan view thereof;  
FIG. 5 is a right side elevational view thereof;  
FIG. 6 is a left side elevational view thereof;  
FIG. 7 is a left side elevational view thereof, the monitor being in a tilted position;  
FIG. 8 is a top plan view thereof on a reduced scale, the monitor being rotated to the left;  
FIG. 9 is a top plan view thereof on a reduced scale, the monitor being rotated to the right.



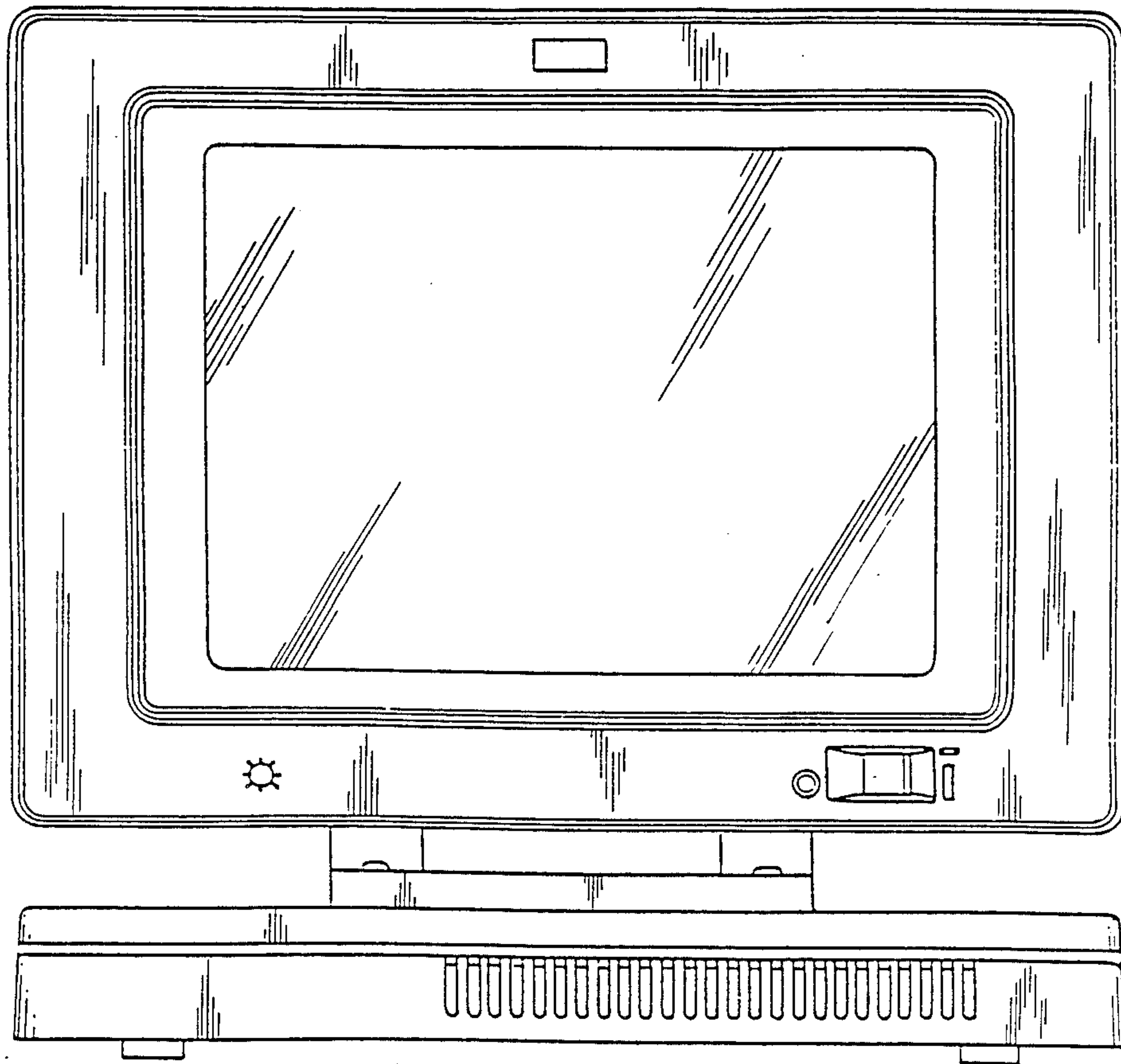


FIG. 1

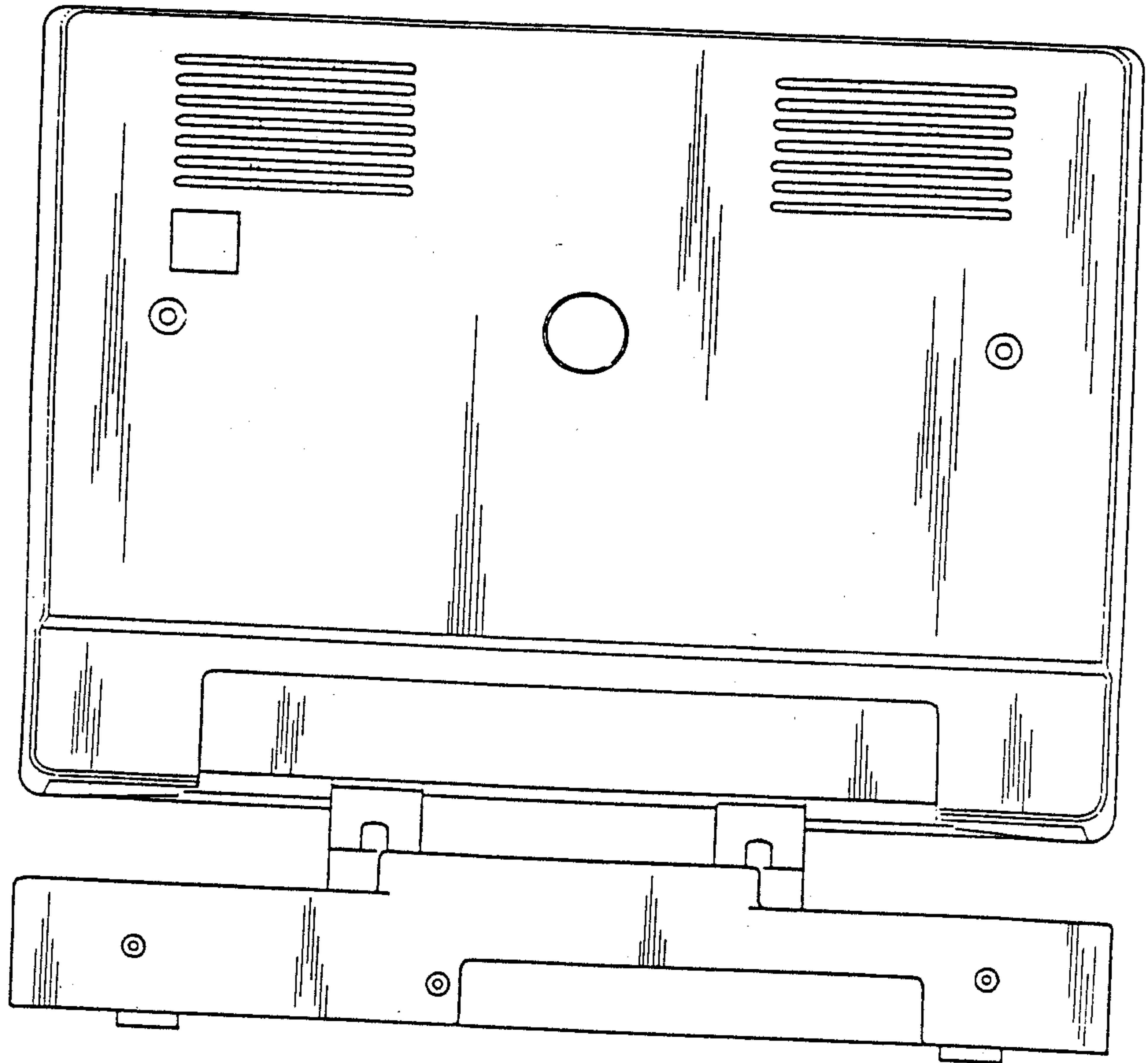


FIG. 2

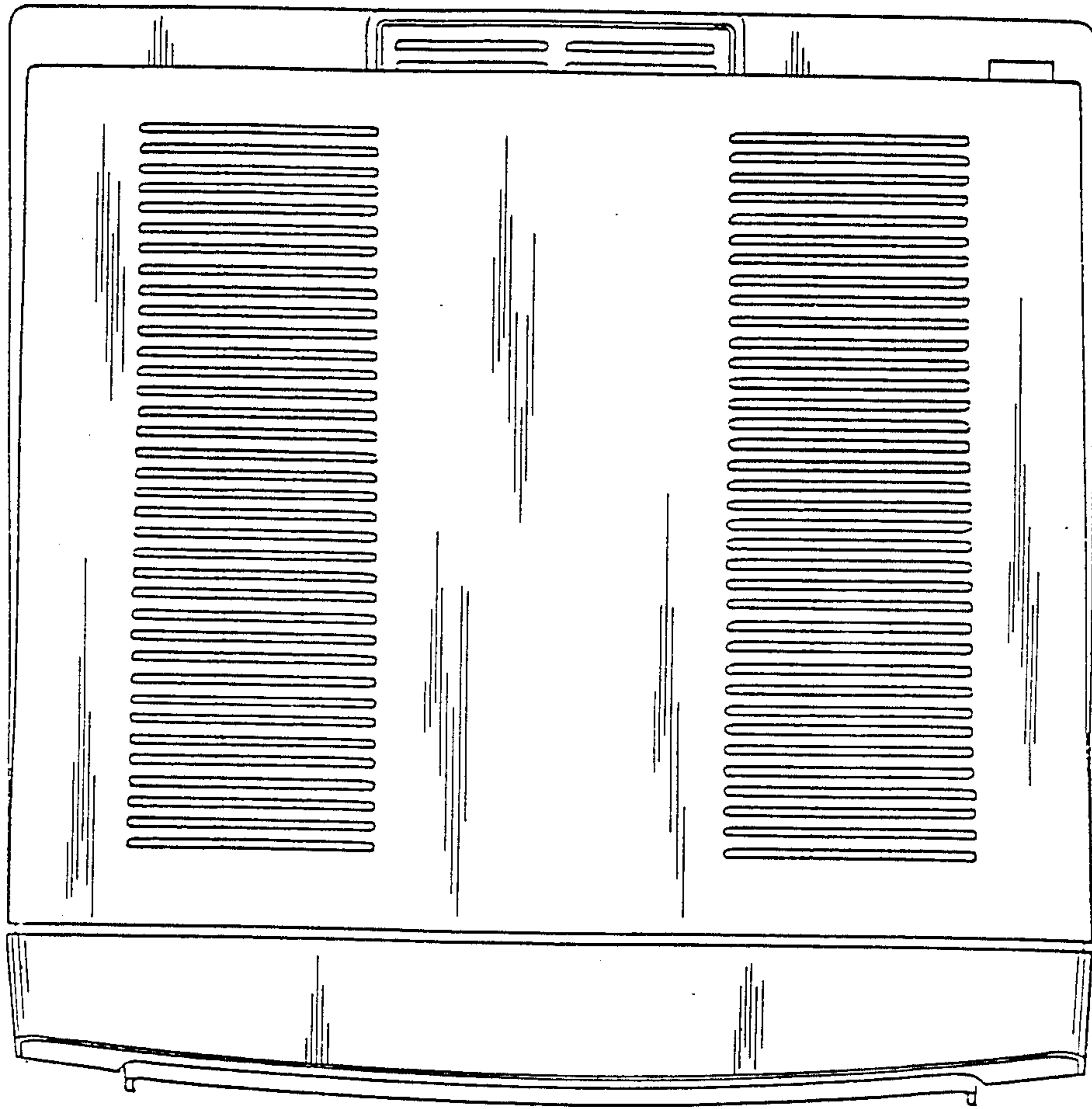


FIG. 3

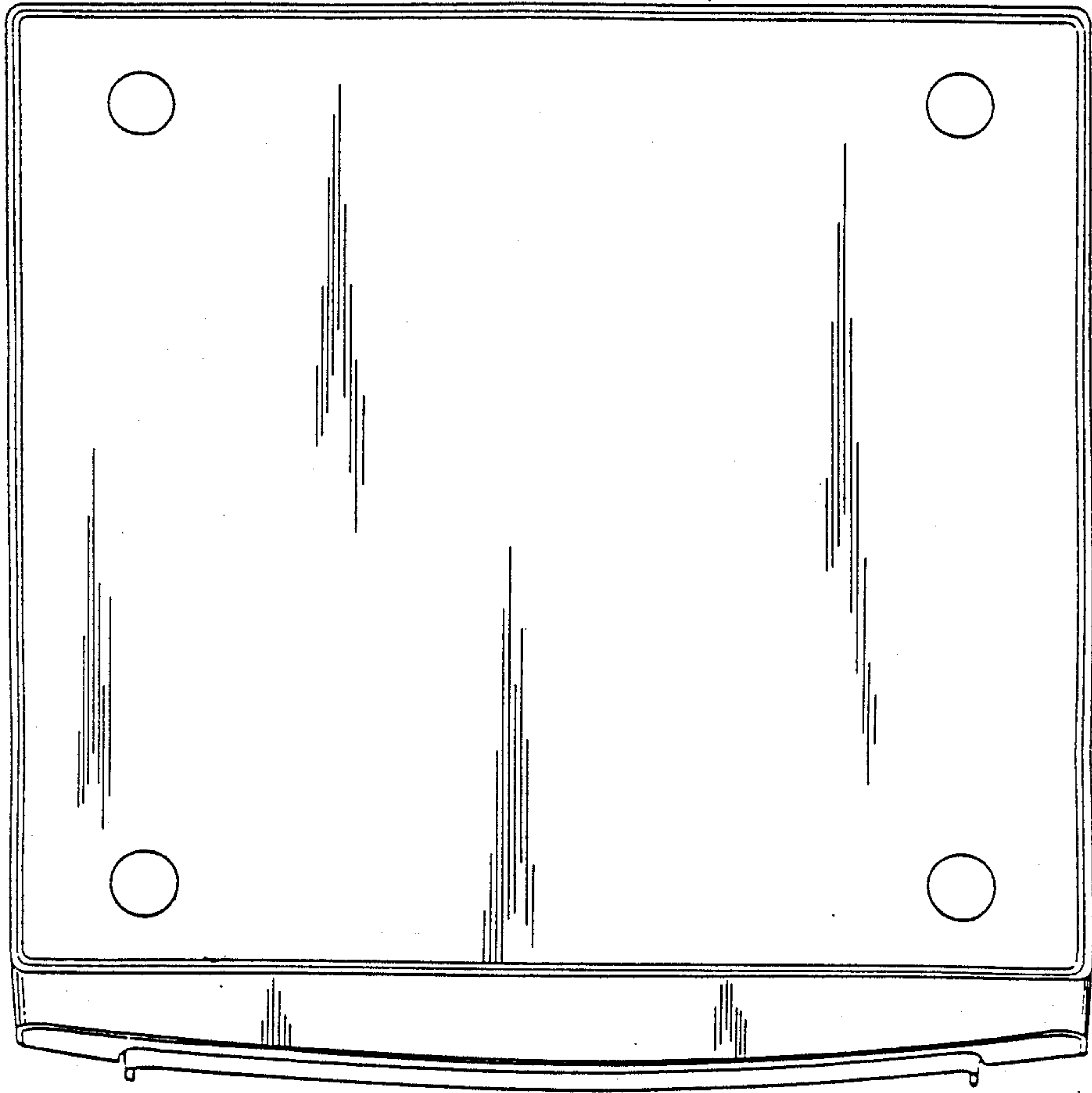


FIG. 4

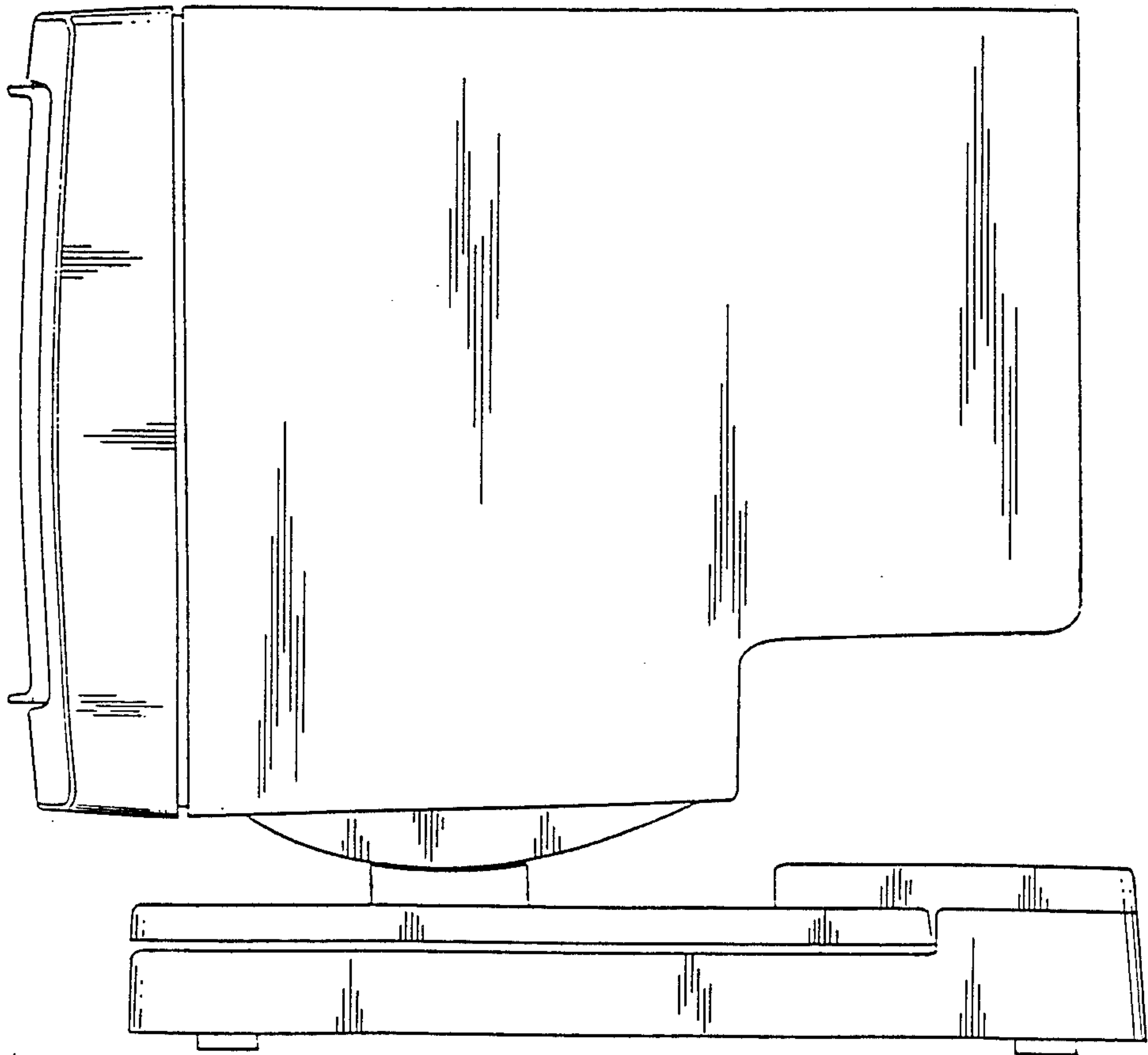


FIG. 5



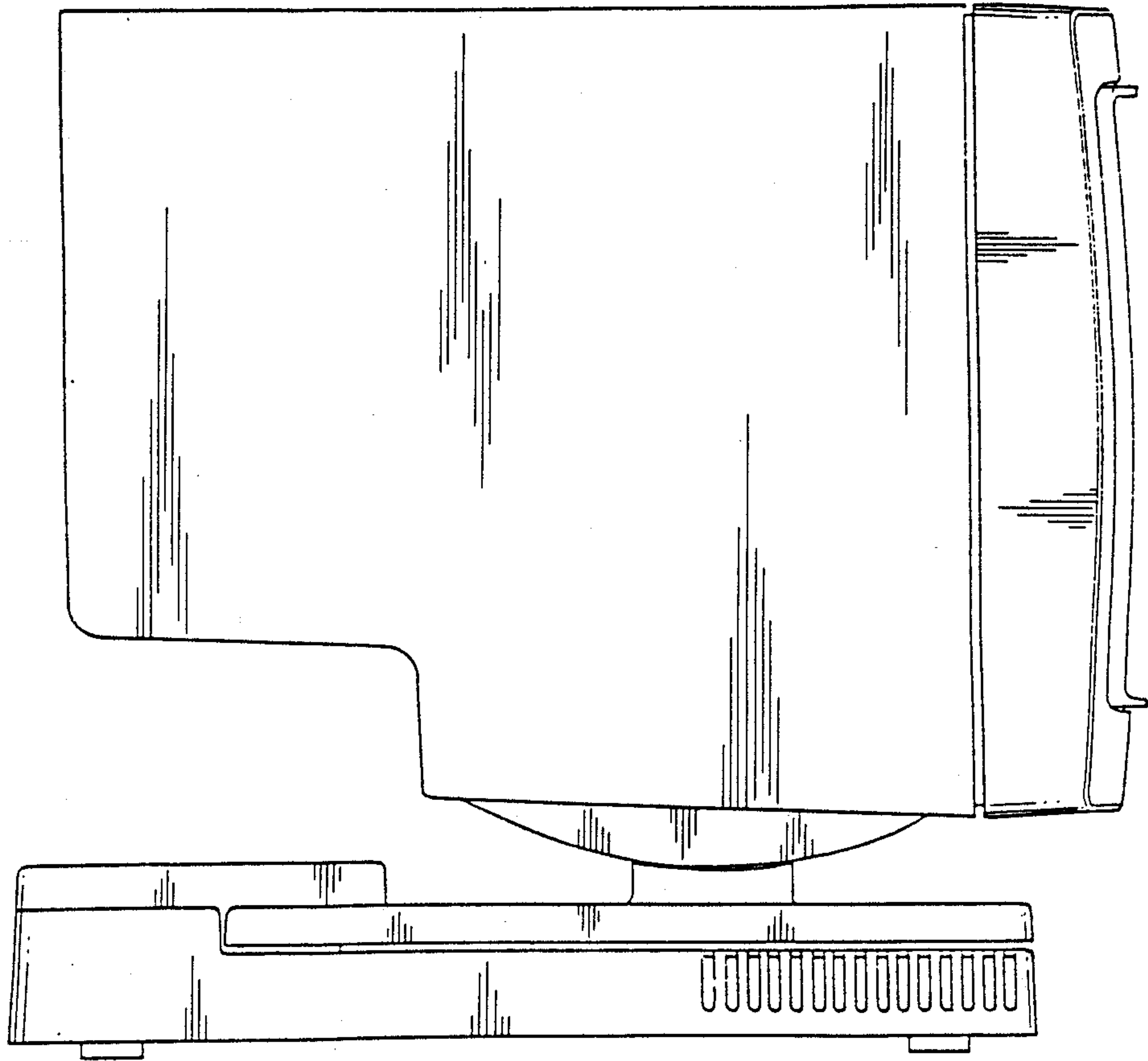


FIG. 6

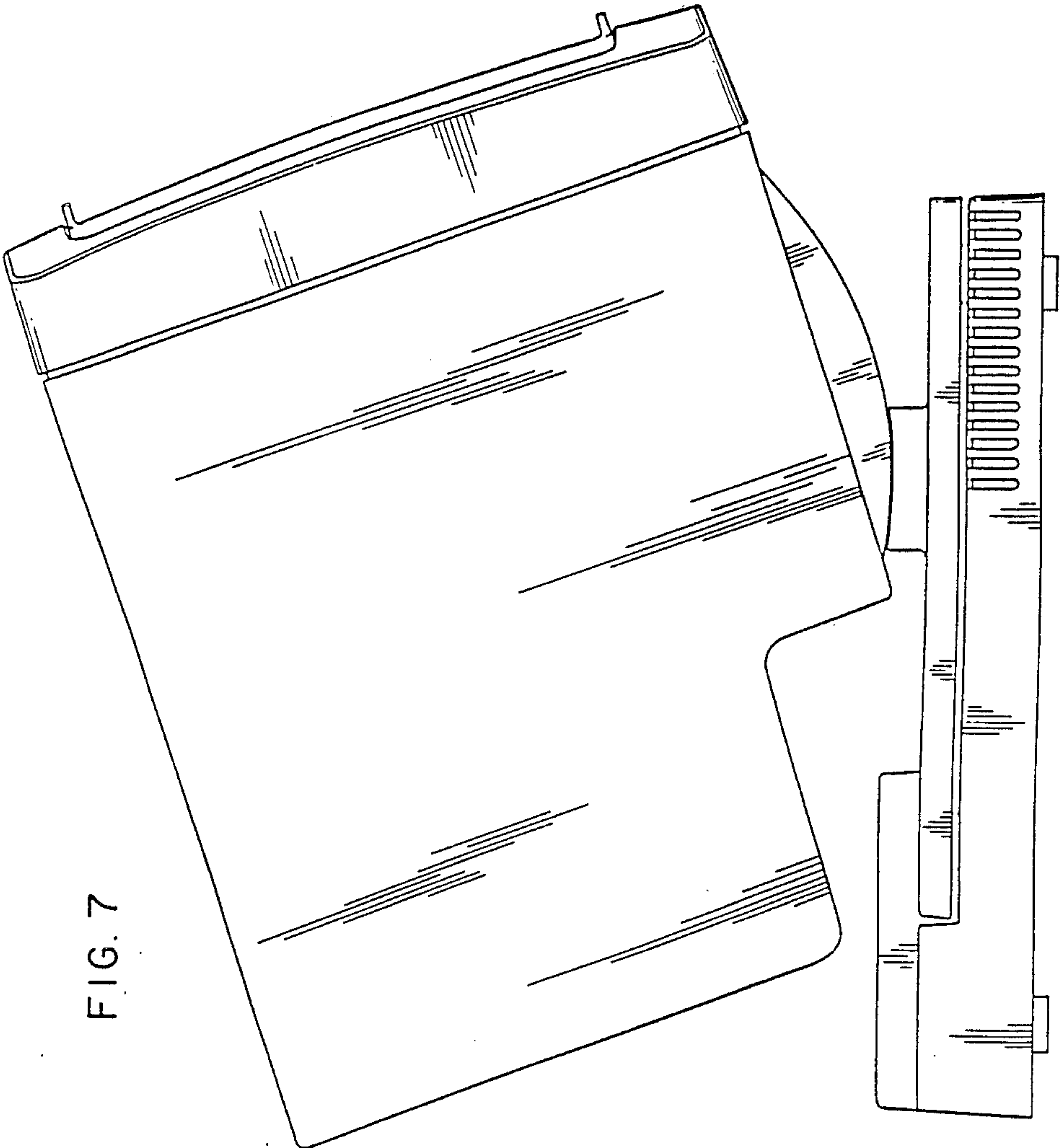


FIG. 7



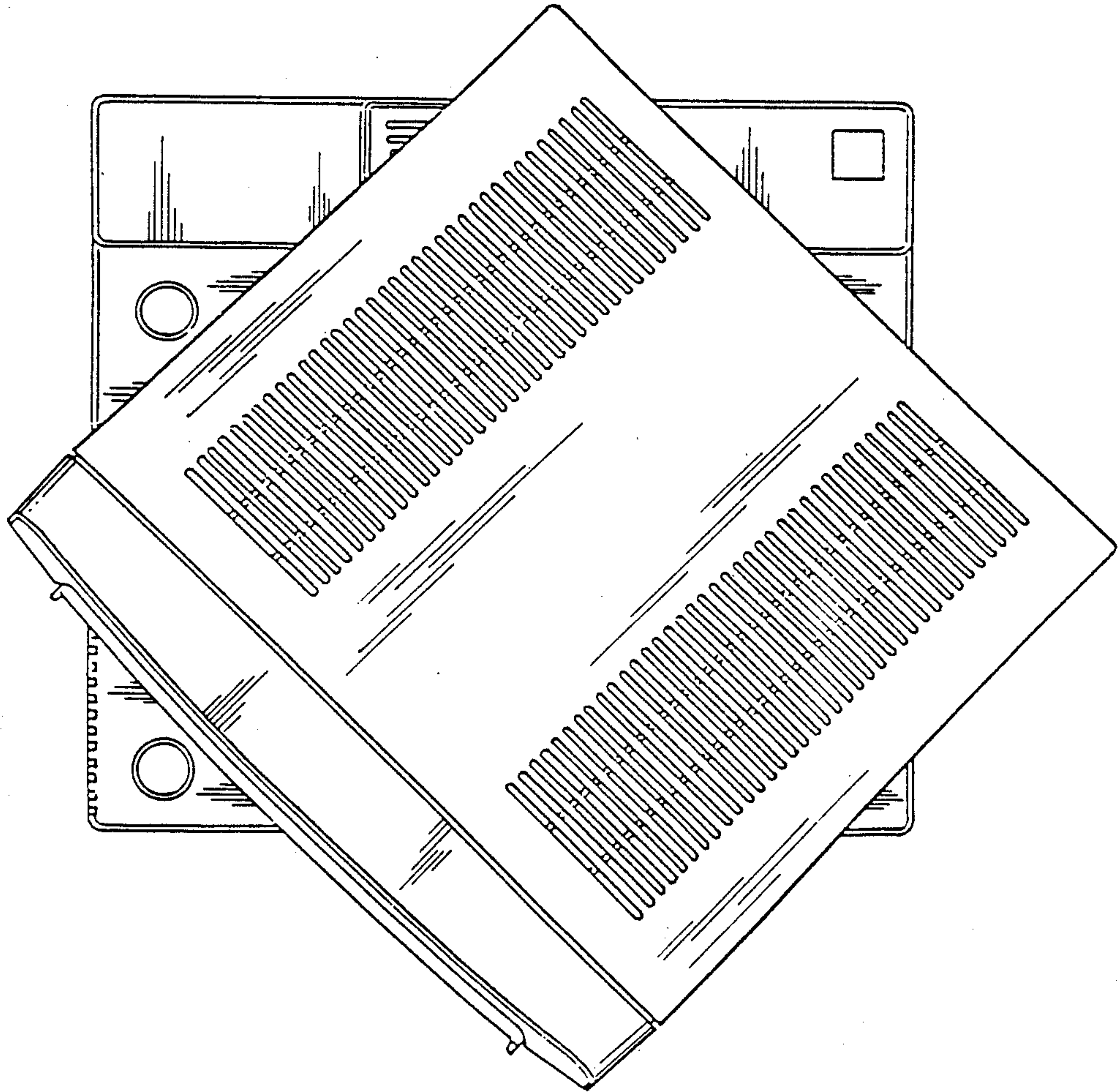


FIG. 8

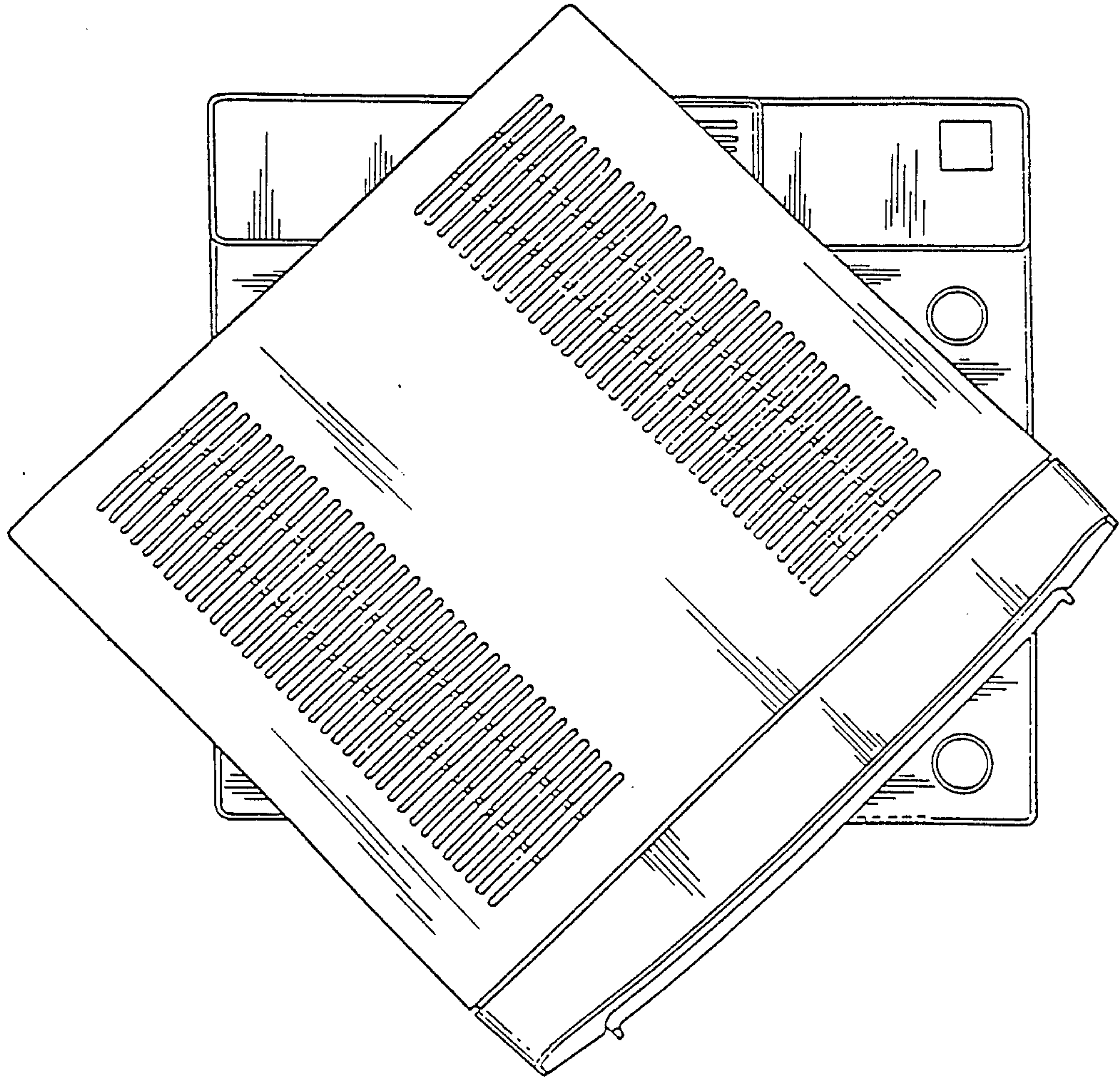


FIG. 9