

[54] RETRACTABLE SPEAKER ENCLOSURE

4,122,911 10/1978 Croup ..... 181/199  
4,453,047 6/1984 Thompson .

[76] Inventor: Allen M. Morris, Rte. 9 Box 184,  
Benton, Ky. 42025

OTHER PUBLICATIONS

Arista Audio and Electronics Accessories Catalog 734,  
p. 29, bottom of page.

[\*\*] Term: 14 Years

Primary Examiner—Bernard Ansher  
Assistant Examiner—Theodore M. Shooman  
Attorney, Agent, or Firm—King & Schickli

[21] Appl. No.: 725,310

[22] Filed: Apr. 19, 1985

[52] U.S. Cl. .... D14/33; D14/30

[58] Field of Search ..... D14/30, 31, 32, 33,  
D14/34, 35, 37, 38, 99; 181/148, 150, 199;  
379/432

[57] CLAIM

The ornamental design for a retractable speaker enclosure,  
as shown and described.

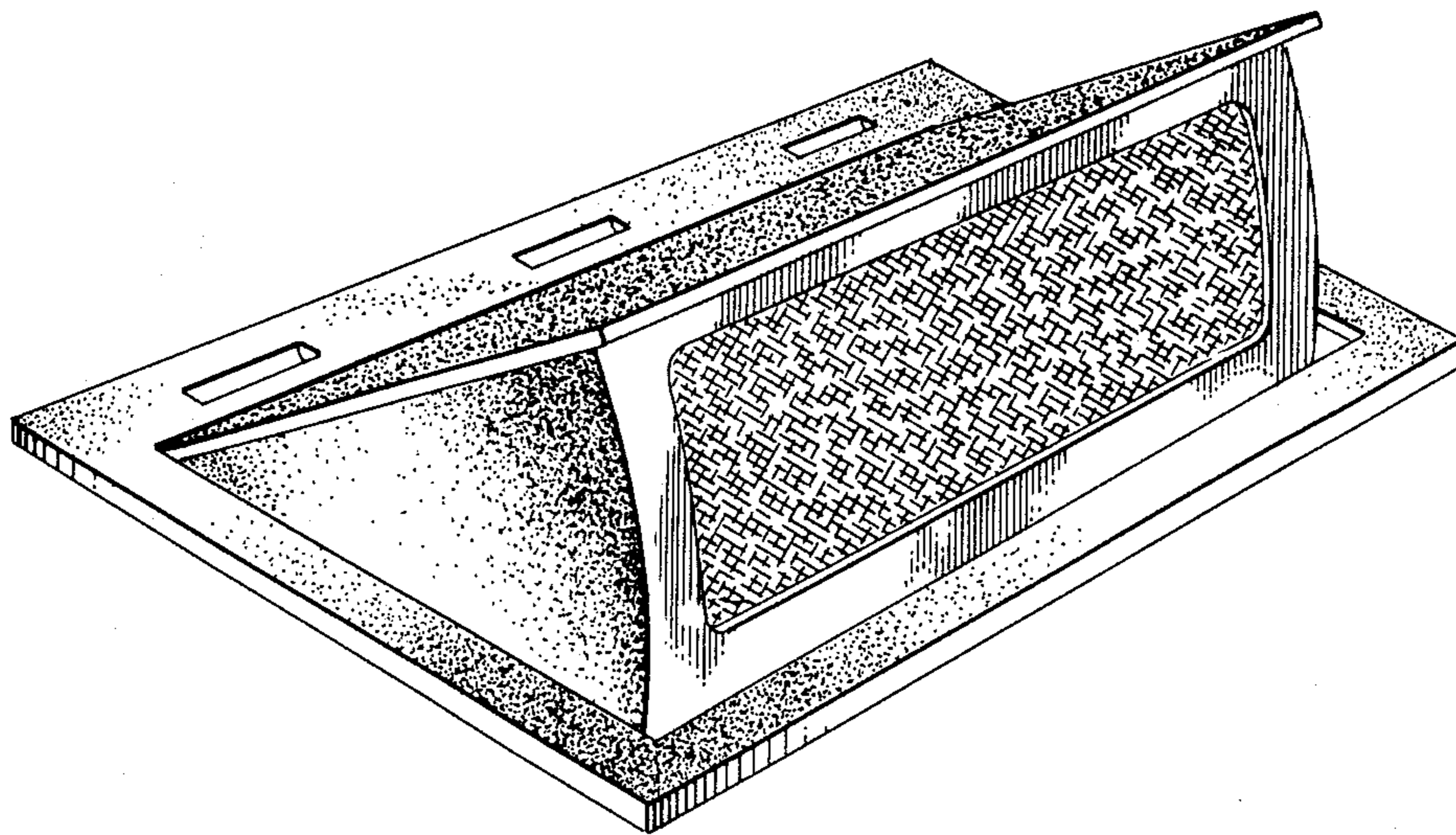
[56] References Cited

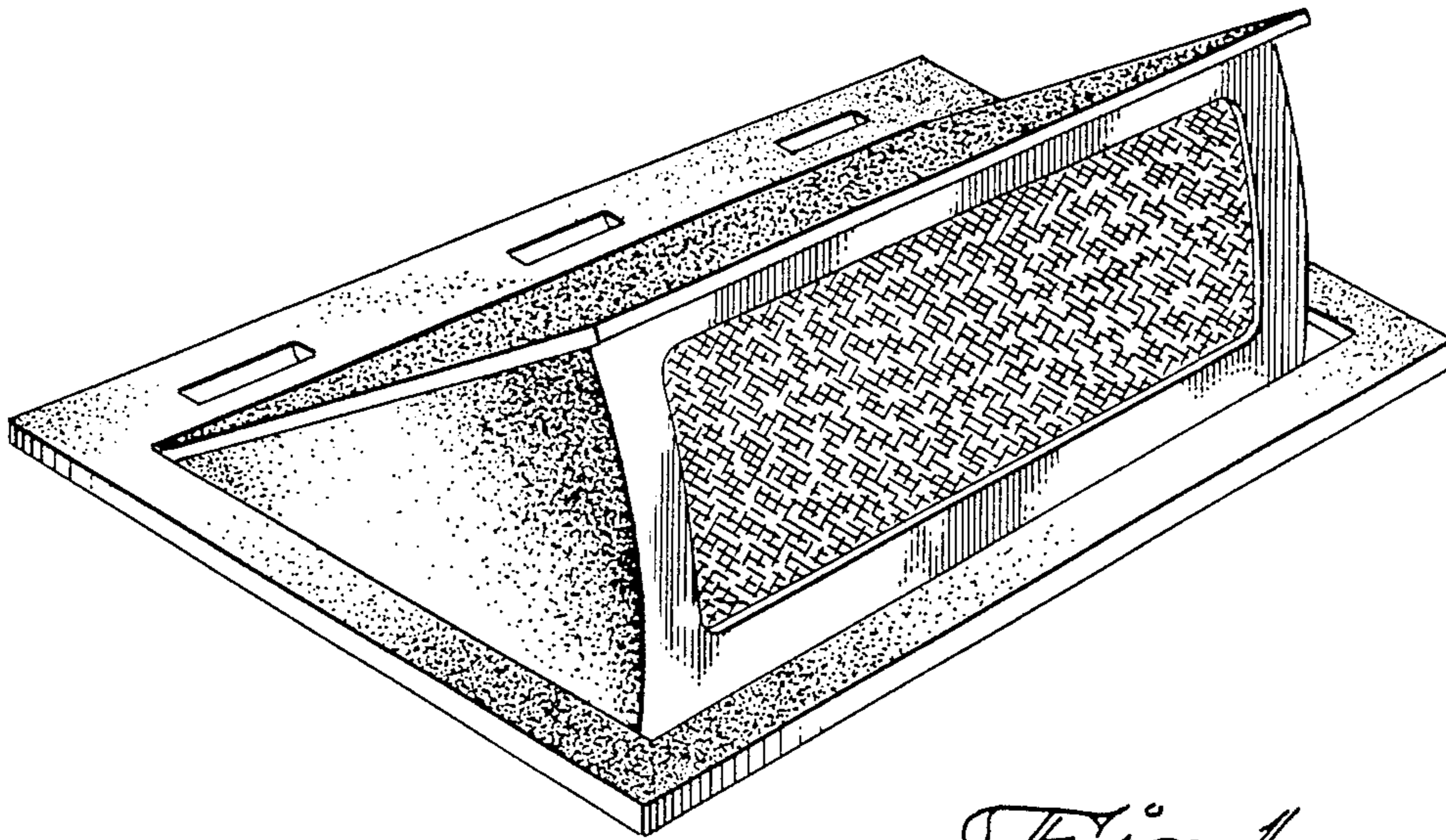
DESCRIPTION

U.S. PATENT DOCUMENTS

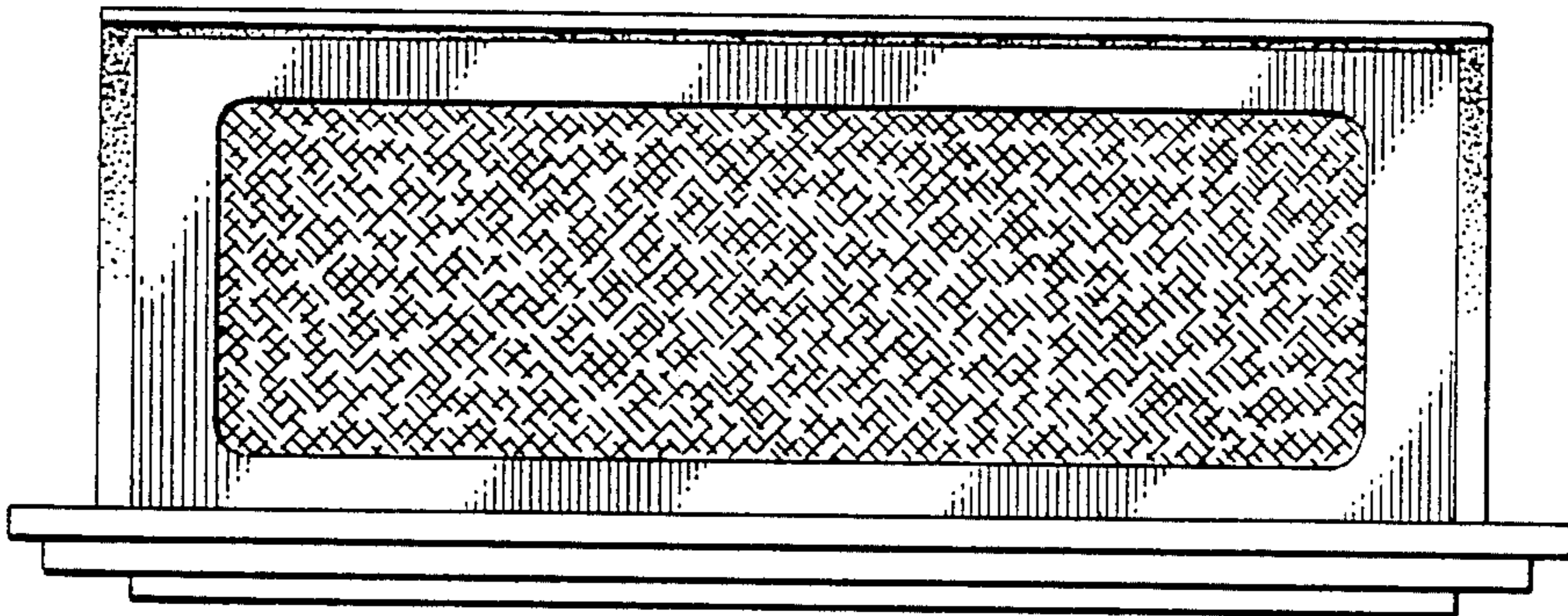
- D. 222,476 10/1971 Ohyama et al. .... D14/33
- D. 223,161 3/1972 Anchel ..... D14/33
- D. 281,597 12/1985 Matushima ..... D14/34
- D. 283,124 3/1986 Kolb ..... D14/33 X
- 2,649,164 8/1953 Olson et al. .
- 2,789,158 4/1957 Livingston .
- 3,446,526 5/1969 Peters .

FIG. 1 is a top, front and left side perspective view of a  
retractable speaker enclosure showing my new design;  
FIG. 2 is a front elevational view thereof;  
FIG. 3 is a rear elevational view thereof;  
FIG. 4 is a top plan view thereof;  
FIG. 5 is a bottom plan view thereof; and  
FIG. 6 is a left side elevational view thereof, the right  
side being a mirror image.

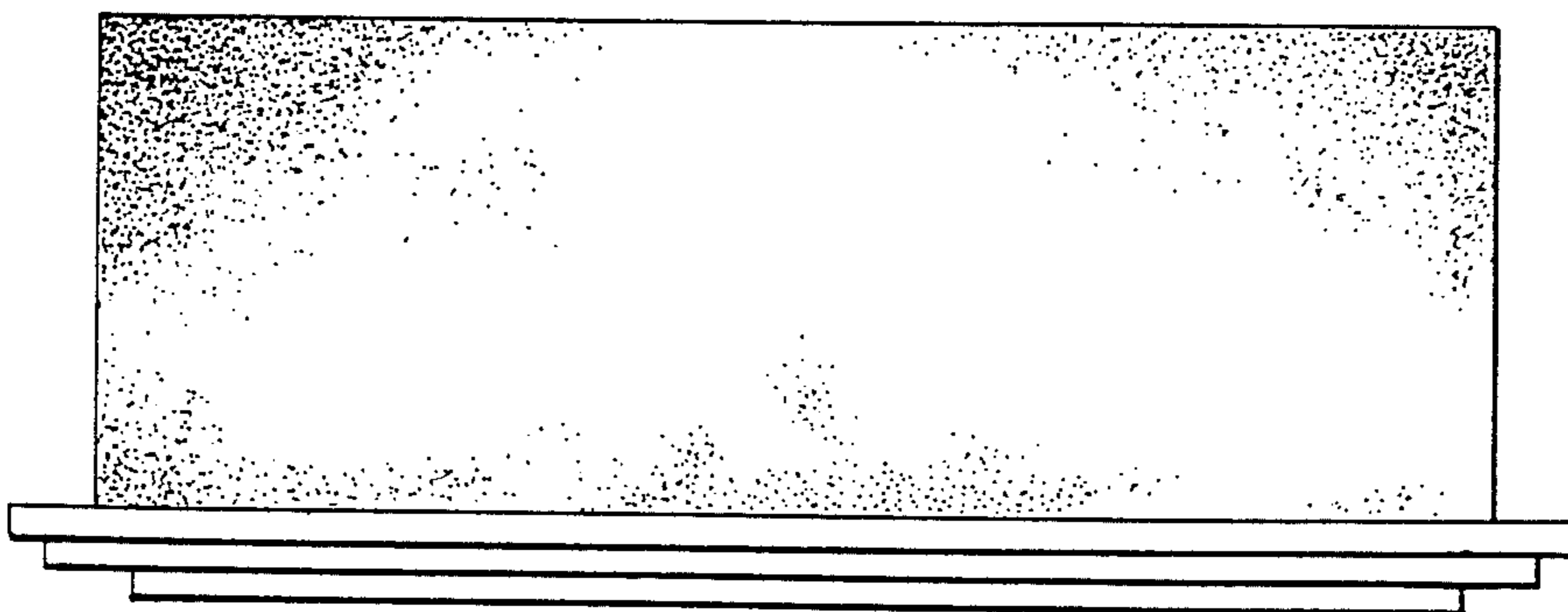




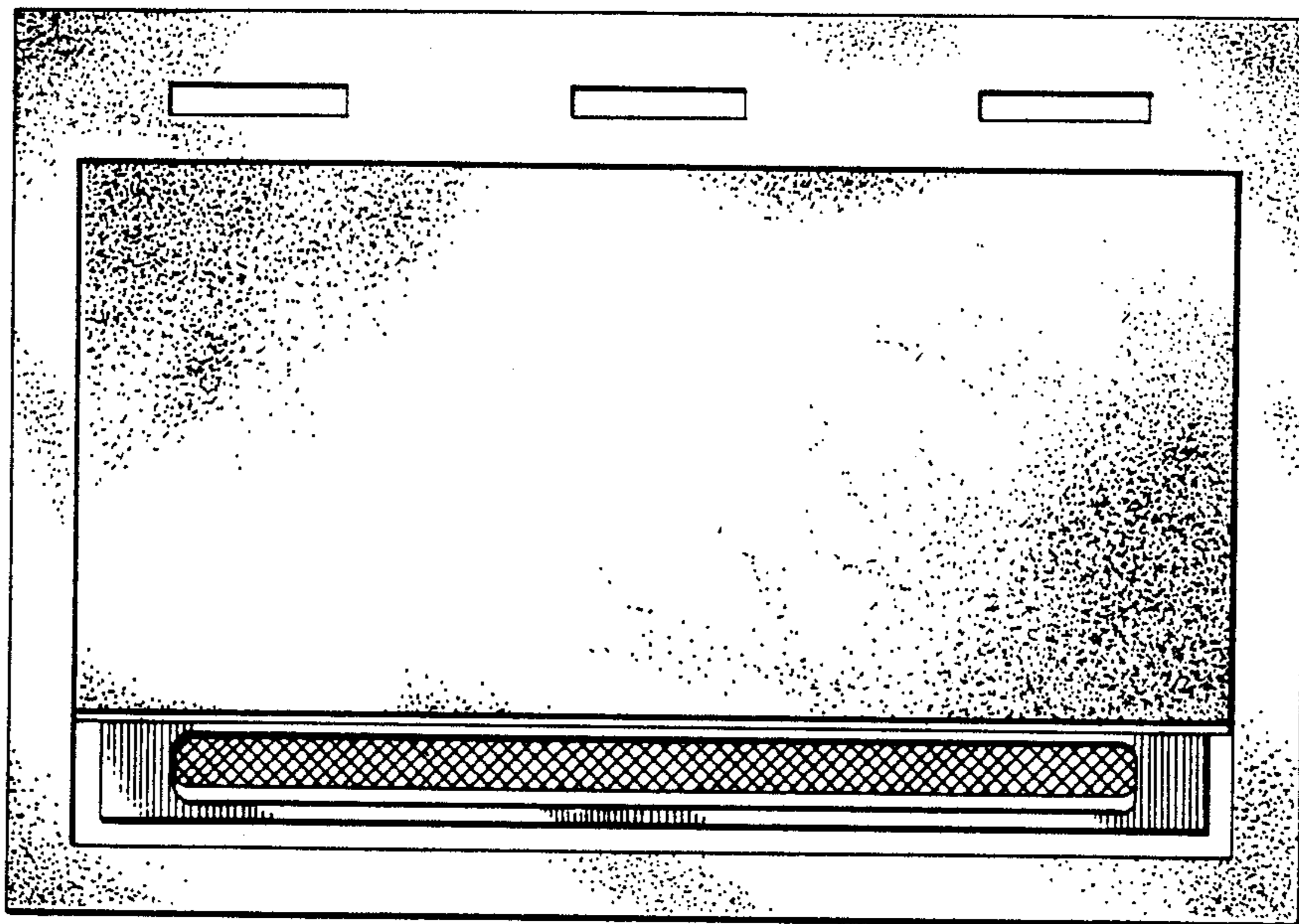
*Fig. 1*



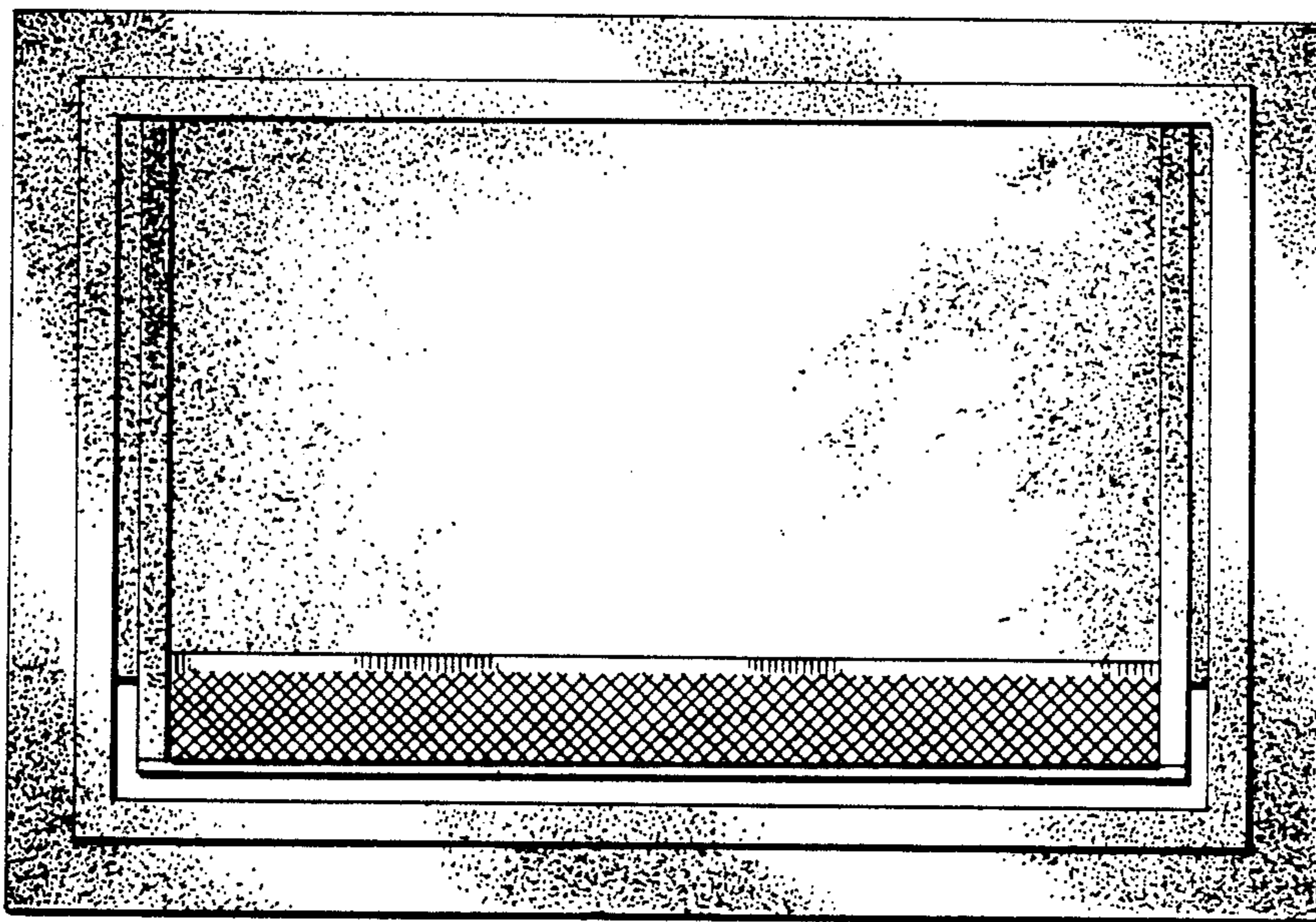
*Fig. 2*



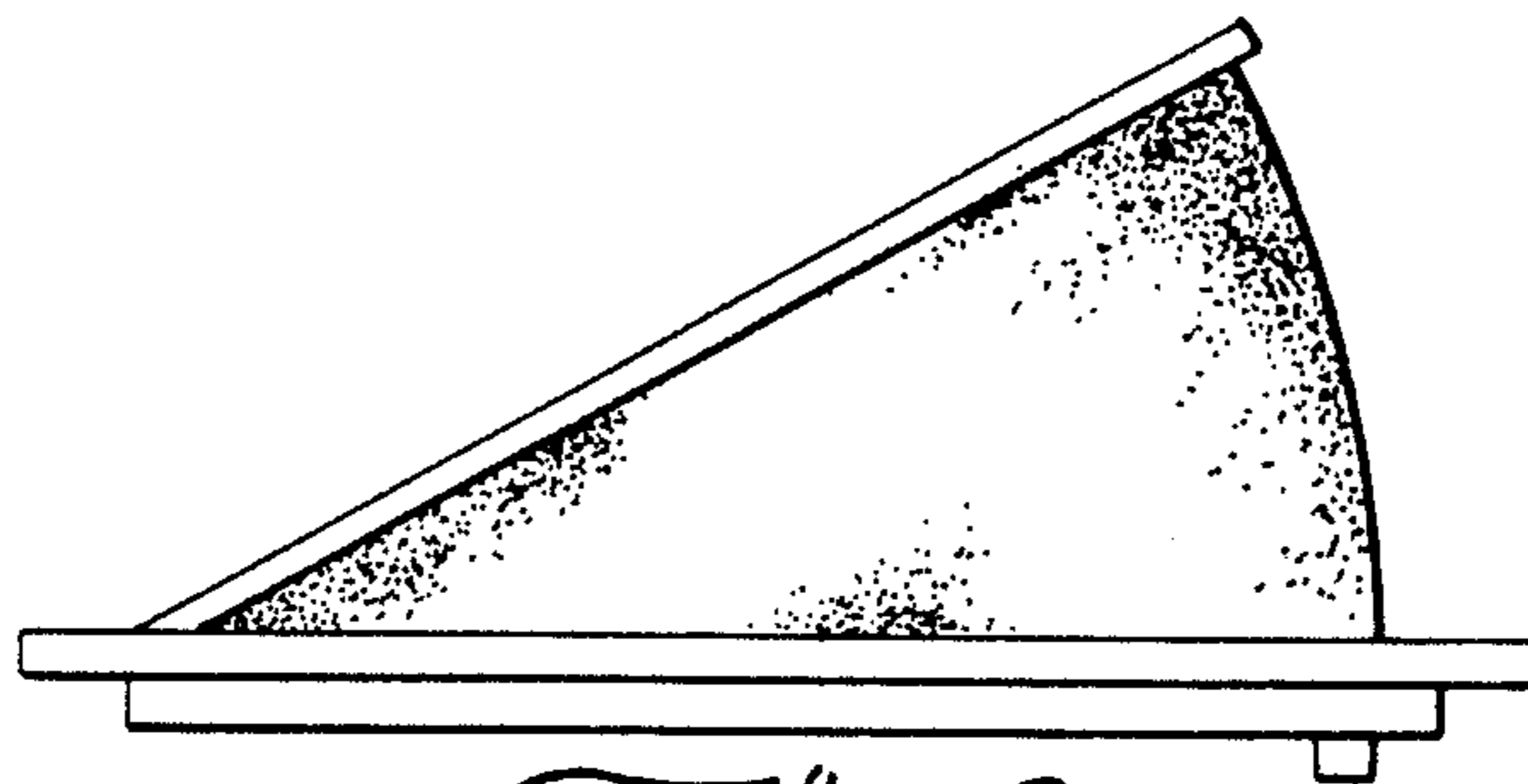
*Fig. 3*



*Fig. 4*



*Fig. 5*



*Fig. 6*