

[54] SOLAR BATTERY

2042787 9/1980 United Kingdom 429/100

[76] Inventor: Raymond F. Curiel, P.O. Box 30355, Phoenix, Ariz. 85046

OTHER PUBLICATIONS

New Equipment Digest, May 1978, p. 9 Eltra Co., C+D Batteries Division/Solar Energy battery.

[**] Term: 14 Years

Primary Examiner—Susan J. Lucas
Assistant Examiner—C. E. Heflin
Attorney, Agent, or Firm—Warren F. B. Lindsley

[21] Appl. No.: 662,362

[22] Filed: Oct. 18, 1984

[52] U.S. Cl. D13/8

[58] Field of Search D13/8-11,
D13/99; 429/48, 96, 100, 163-165, 175, 176,
187, 159; 307/150; 320/2-5

[57] CLAIM

The ornamental design for a solar battery, as shown and described.

[56] References Cited

U.S. PATENT DOCUMENTS

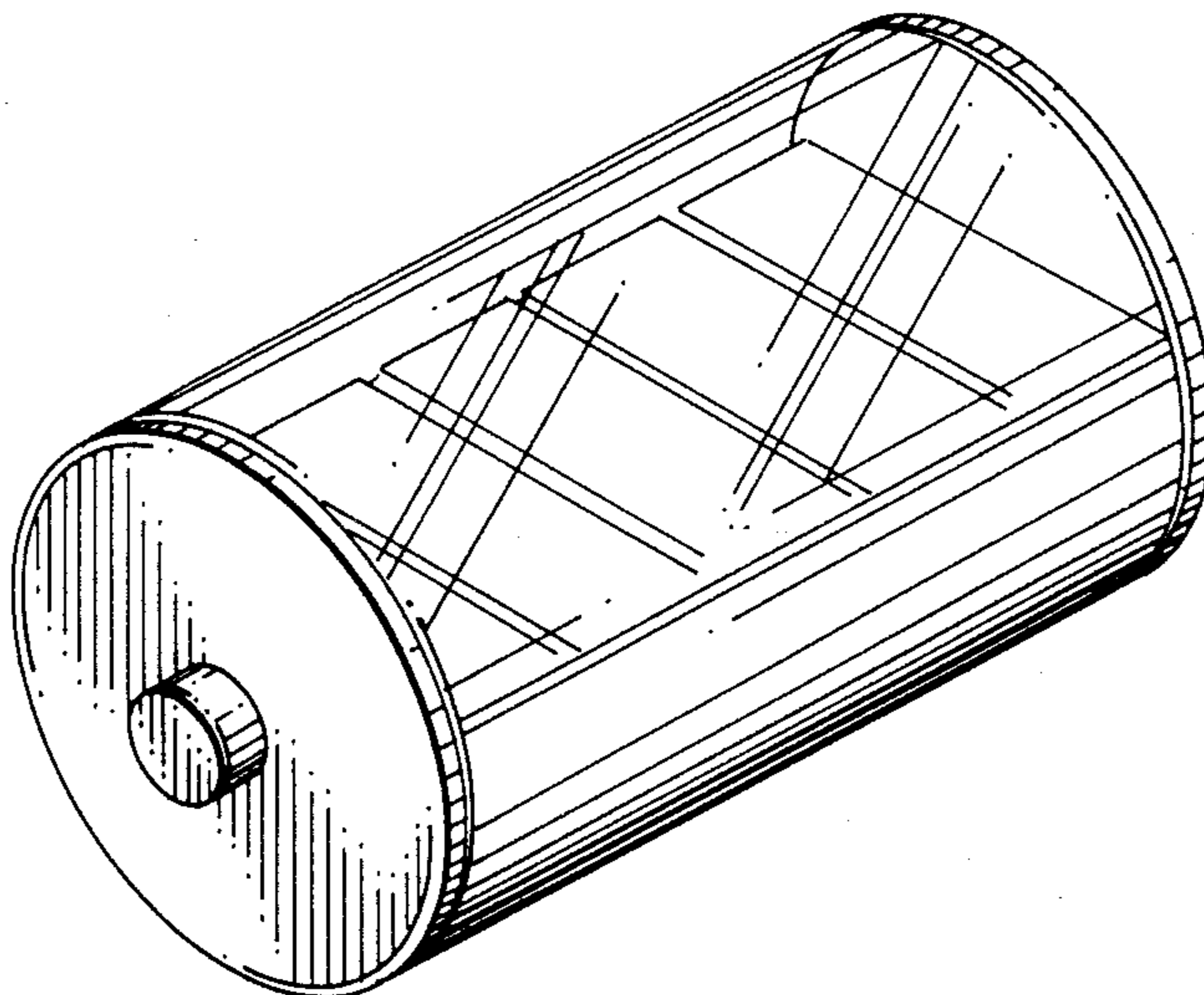
D. 180,211	4/1957	Watson	D13/10
2,611,793	9/1952	Simpson	429/164
3,856,575	12/1974	Hughes	429/164
4,563,727	1/1986	Curiel	429/100

FOREIGN PATENT DOCUMENTS

983421	6/1951	France	429/164
414582	8/1934	United Kingdom	136/133

DESCRIPTION

FIG. 1 is a top, front and left end perspective view of a solar battery showing my new design;
FIG. 2 is a bottom, front and right end perspective view thereof;
FIG. 3 is a top plan view thereof;
FIG. 4 is a rear elevational view thereof;
FIG. 5 is a bottom plan view thereof;
FIG. 6 is a left end elevational view thereof;
FIG. 7 is a right end elevational view thereof.



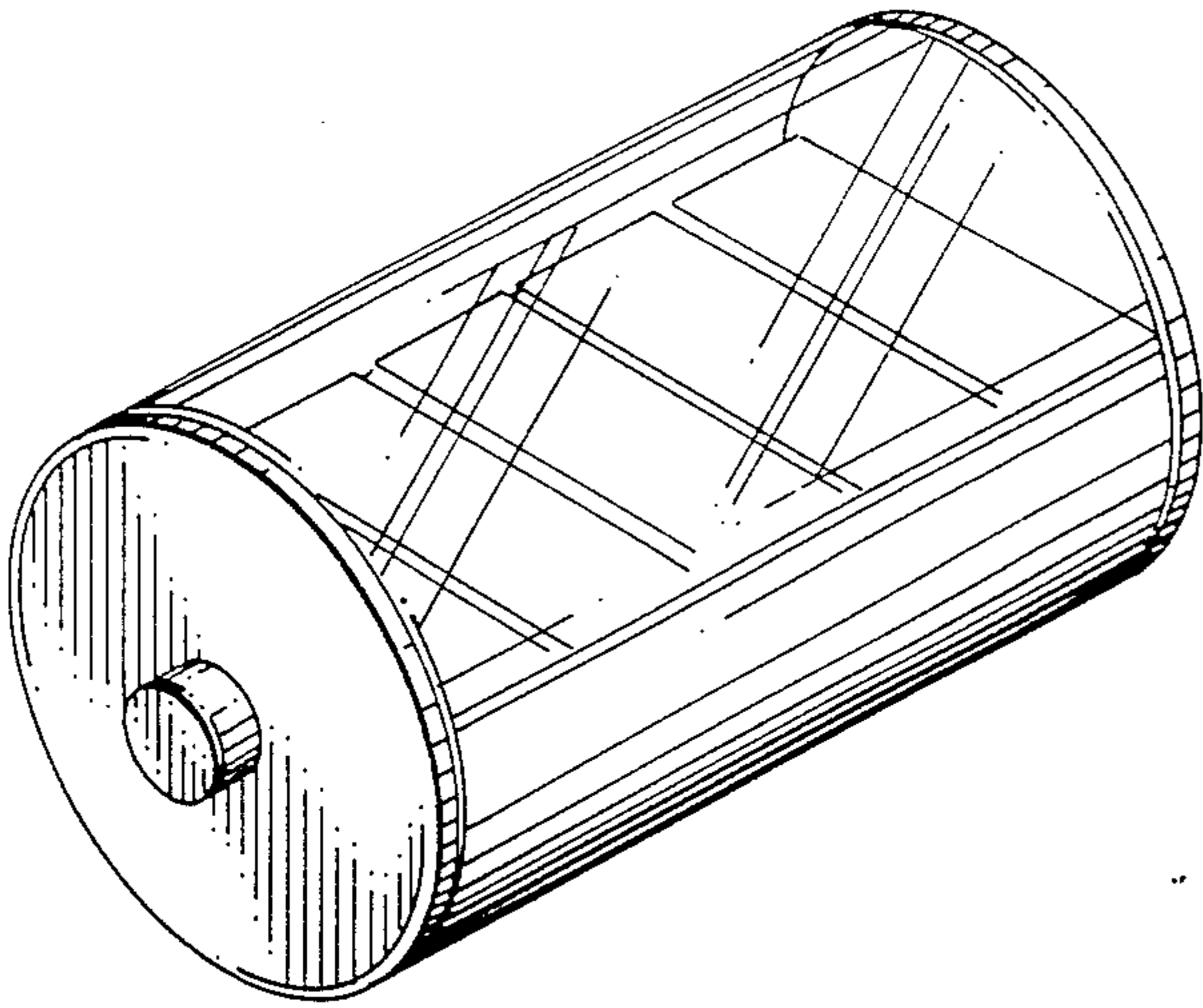


FIG. 1

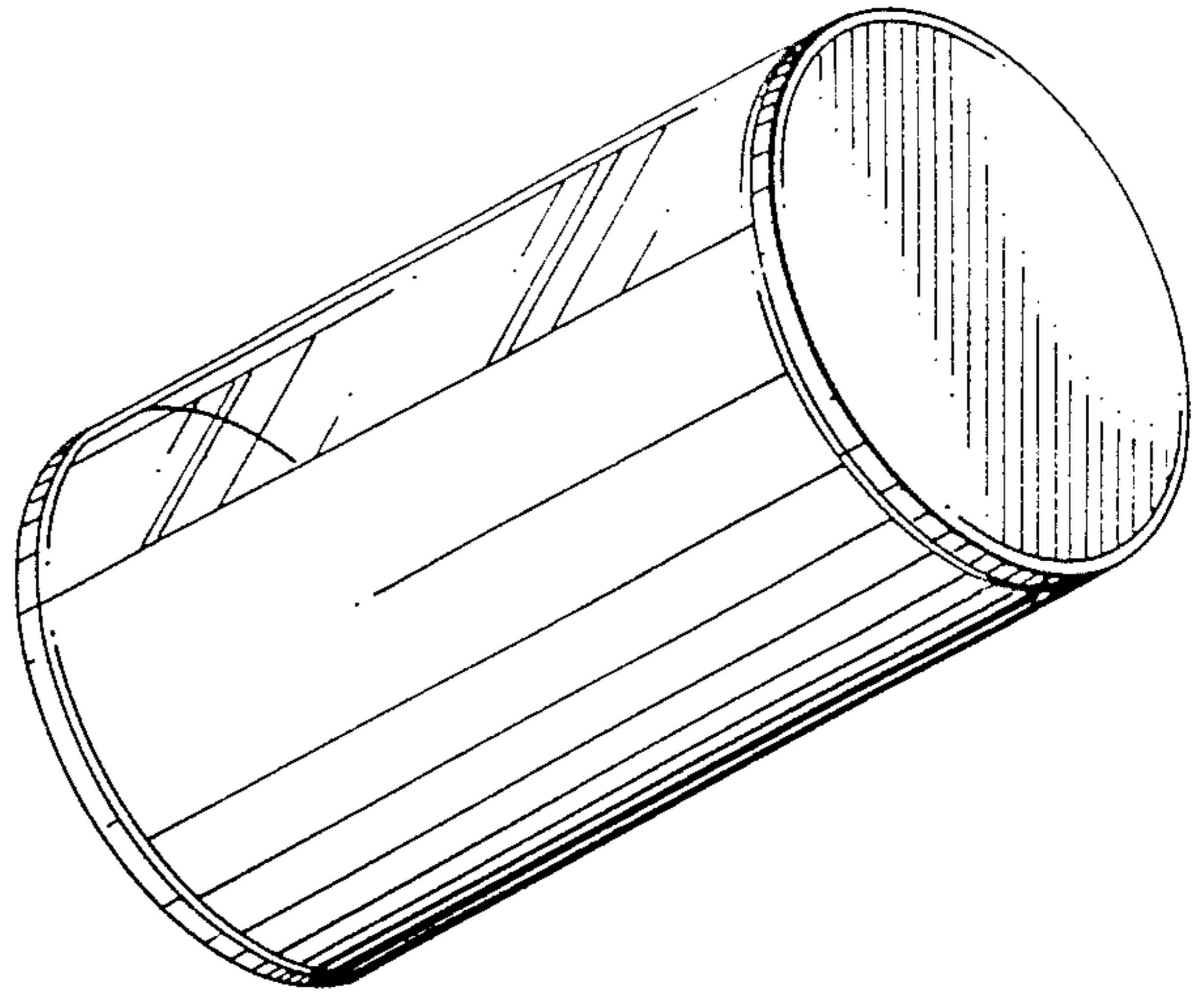


FIG. 2

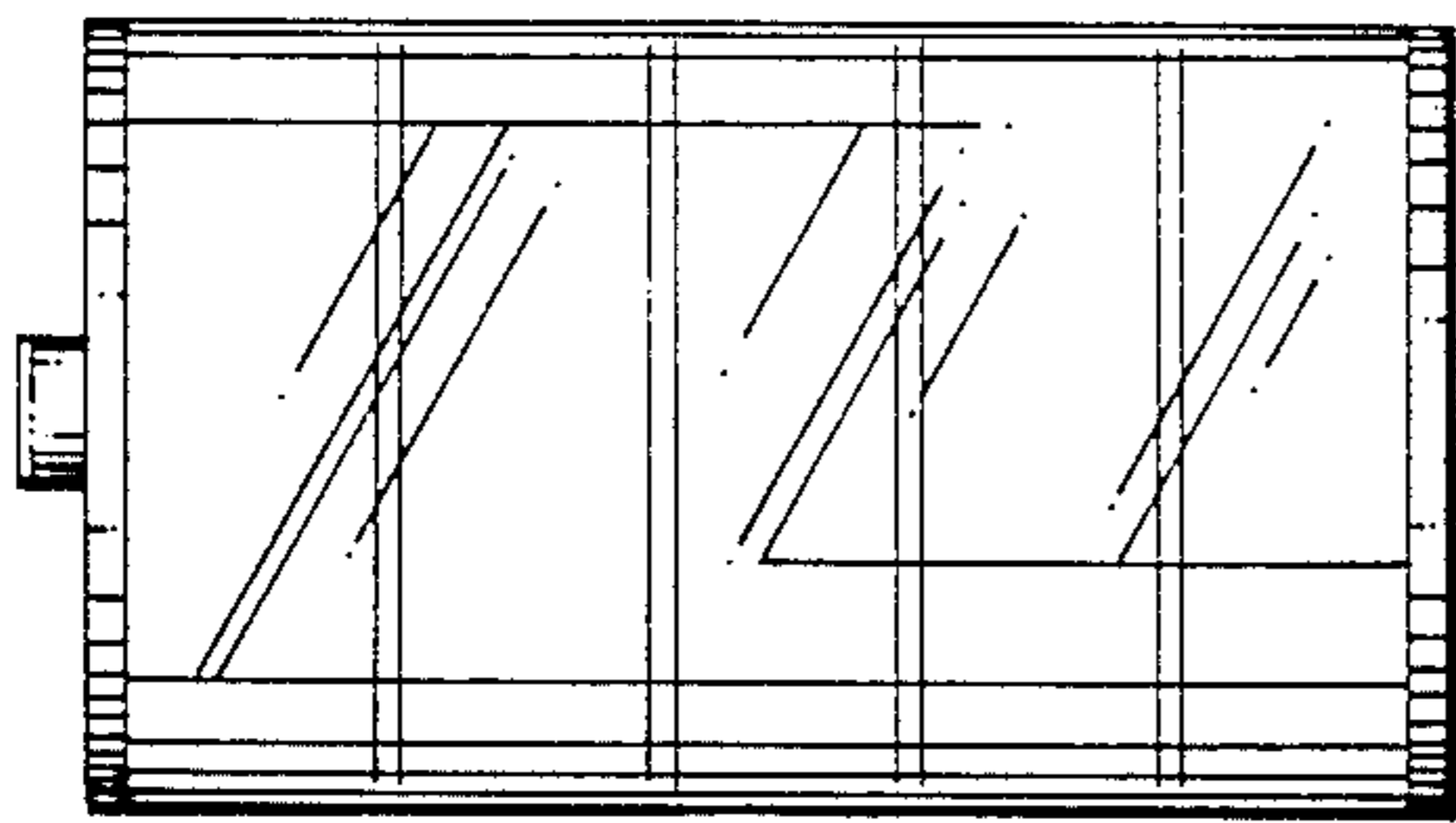


FIG. 3

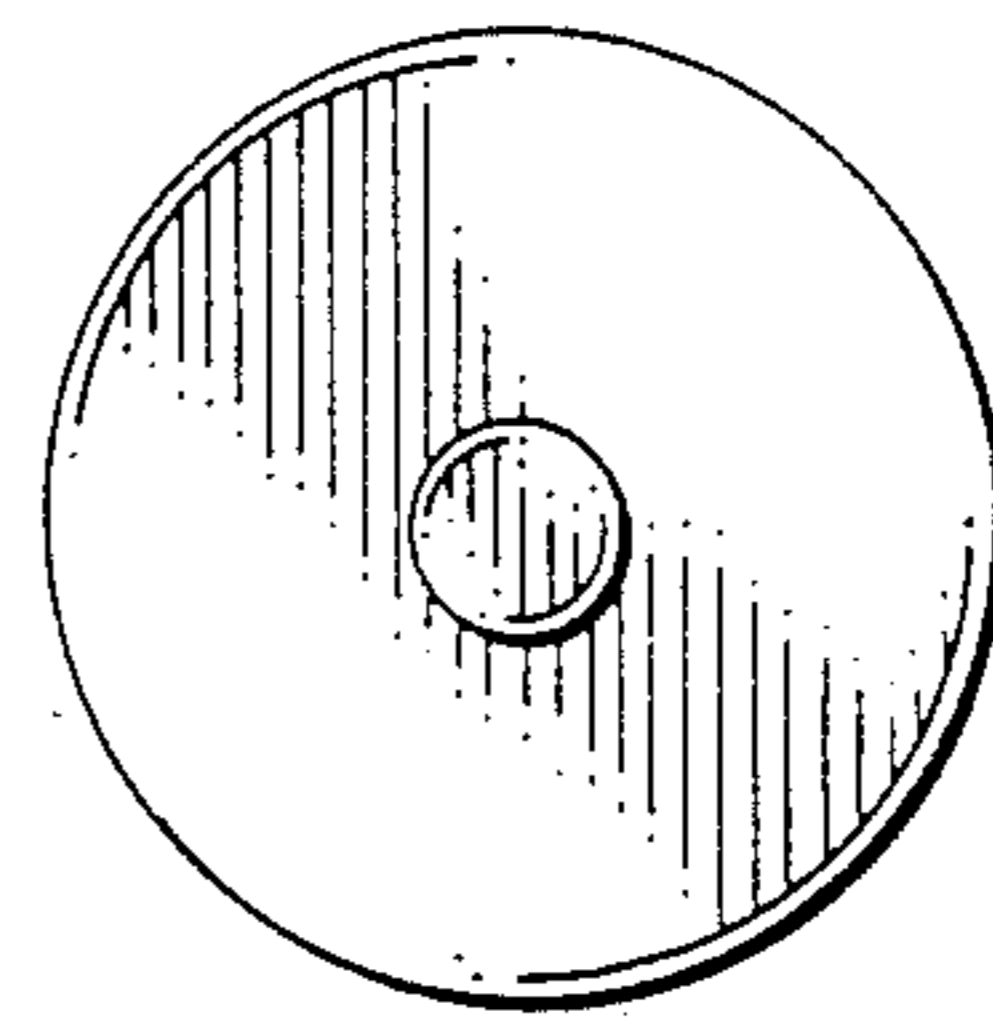


FIG. 6

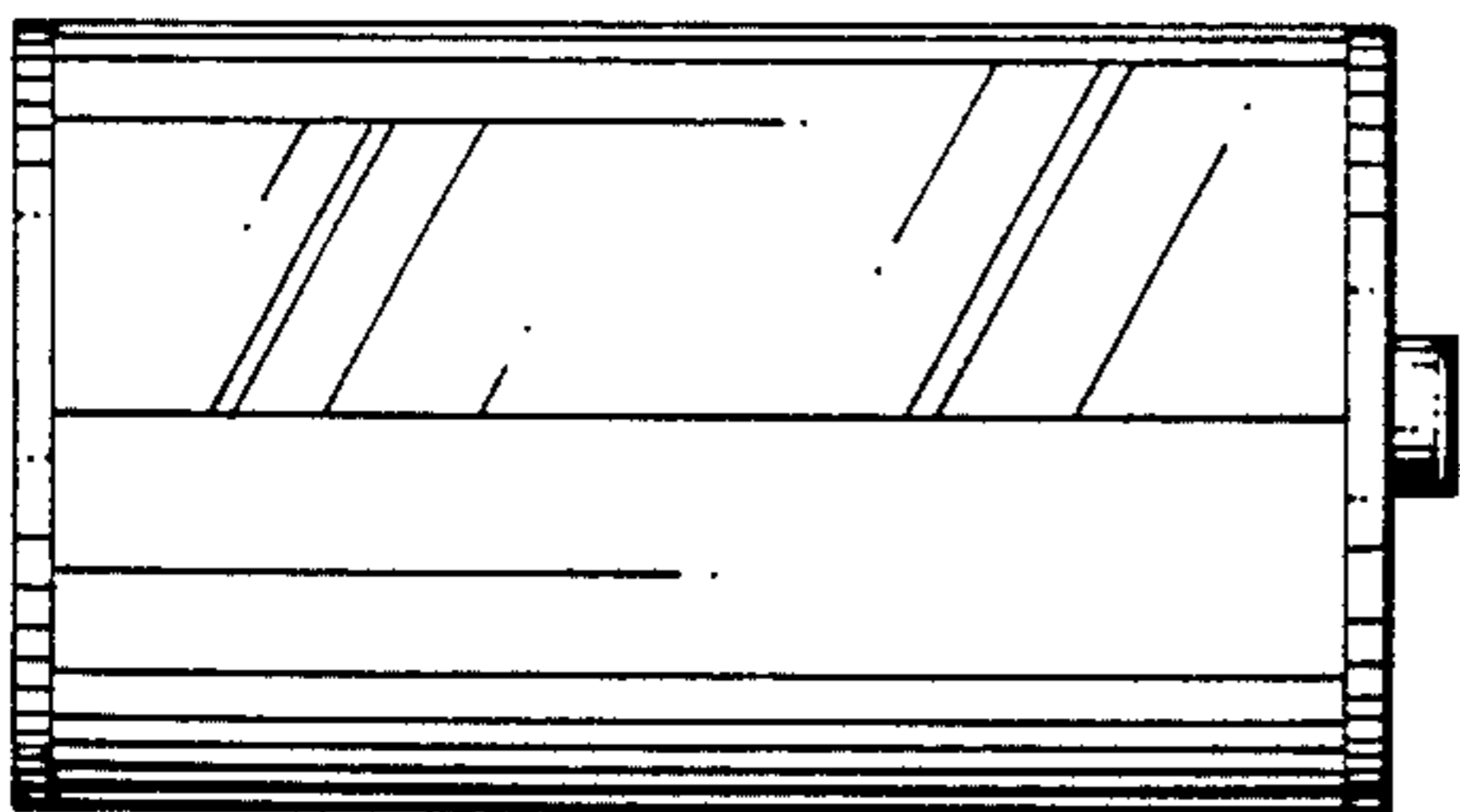


FIG. 4

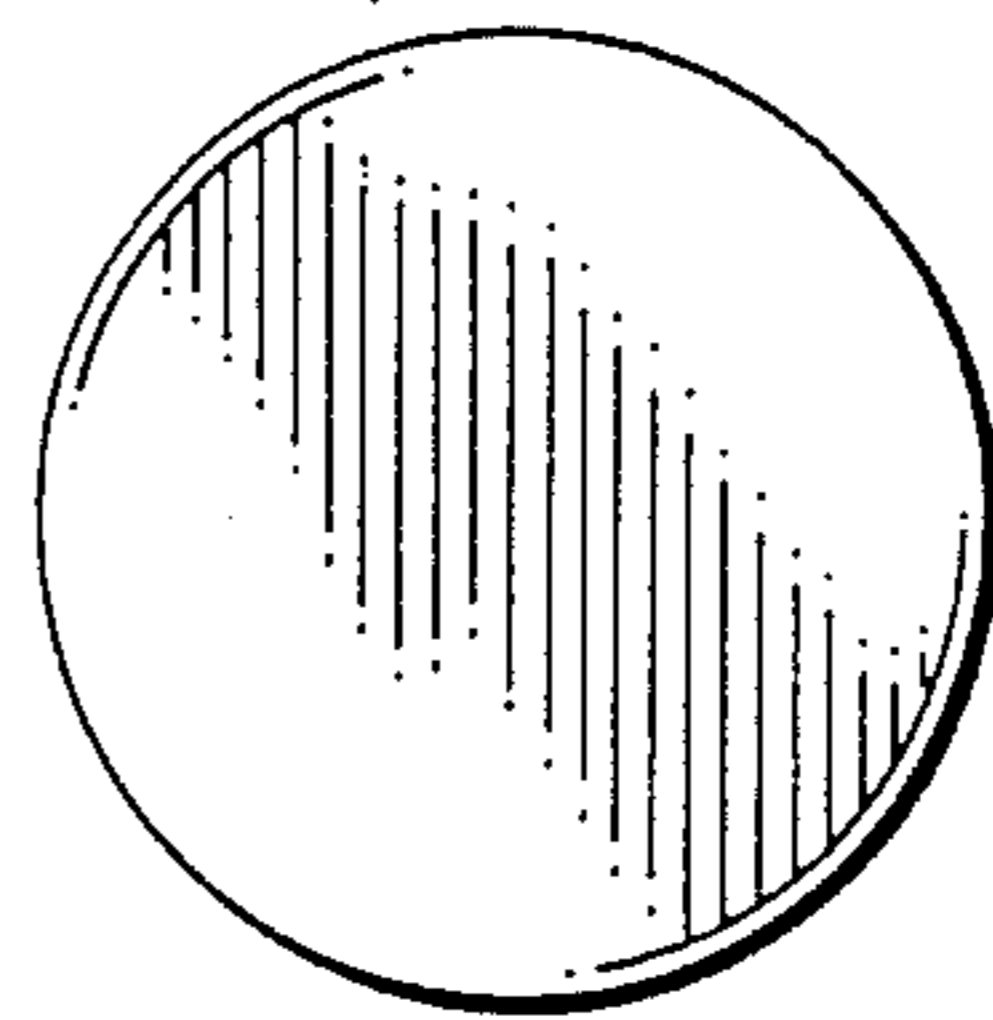


FIG. 7

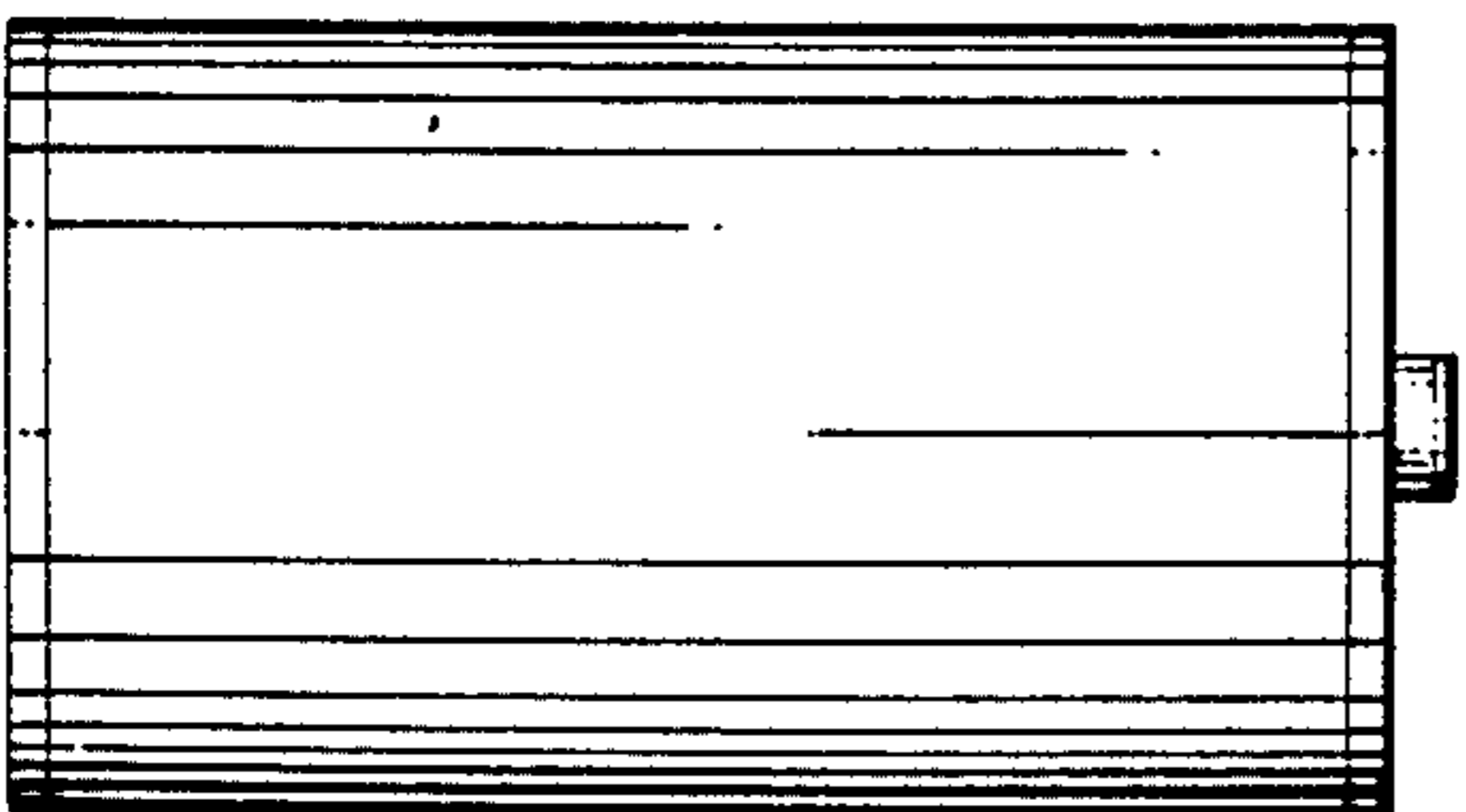


FIG. 5