

[54] FOLDING WALKER

[76] Inventor: **Lewis Bean**, R.F.D. 8, #302,
Claremore, Okla. 74017

[**] Term: **14 Years**

[21] Appl. No.: **694,837**

[22] Filed: **Jan. 25, 1985**

[52] U.S. Cl. **D12/130**

[58] Field of Search D12/130; 135/74, 65,
135/67; 248/155.1-155.5; D3/9; 272/70.3

3,716,067 2/1973 Skoog 135/67
 3,993,088 11/1976 Thomas 135/67
 4,341,381 7/1982 Norberg 135/74
 4,461,471 7/1984 Brastow 272/70.3

Primary Examiner—James M. Gandy
Assistant Examiner—Kay H. Chin
Attorney, Agent, or Firm—Norman B. Rainer

[57] CLAIM

The ornamental design for a folding walker, as shown and described.

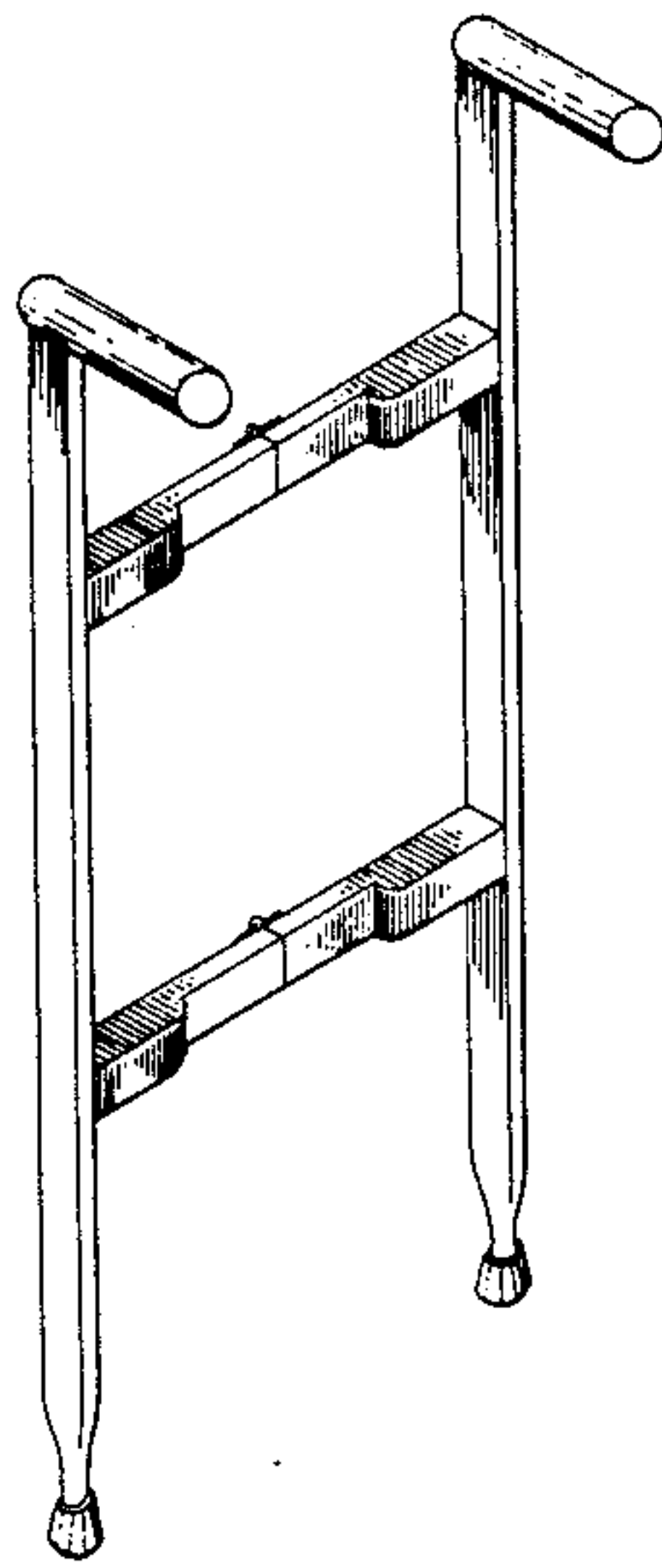
[56] **References Cited**

U.S. PATENT DOCUMENTS

D. 255,288 6/1980 Thomas D3/9
 2,862,544 12/1958 Lilja 272/70.3
 2,996,070 8/1961 Ries 135/67
 3,093,402 6/1963 Sisson 135/65
 3,289,685 12/1966 Parker 135/65
 3,516,425 6/1970 Rigal 135/67

DESCRIPTION

FIG. 1 is a perspective view of a folding walker showing my new design;
 FIG. 2 is a top plan view thereof;
 FIG. 3 is a side elevation view thereof, the opposite side being a mirror image of that shown; and
 FIG. 4 is a perspective view of a folding walker shown in its folded condition.



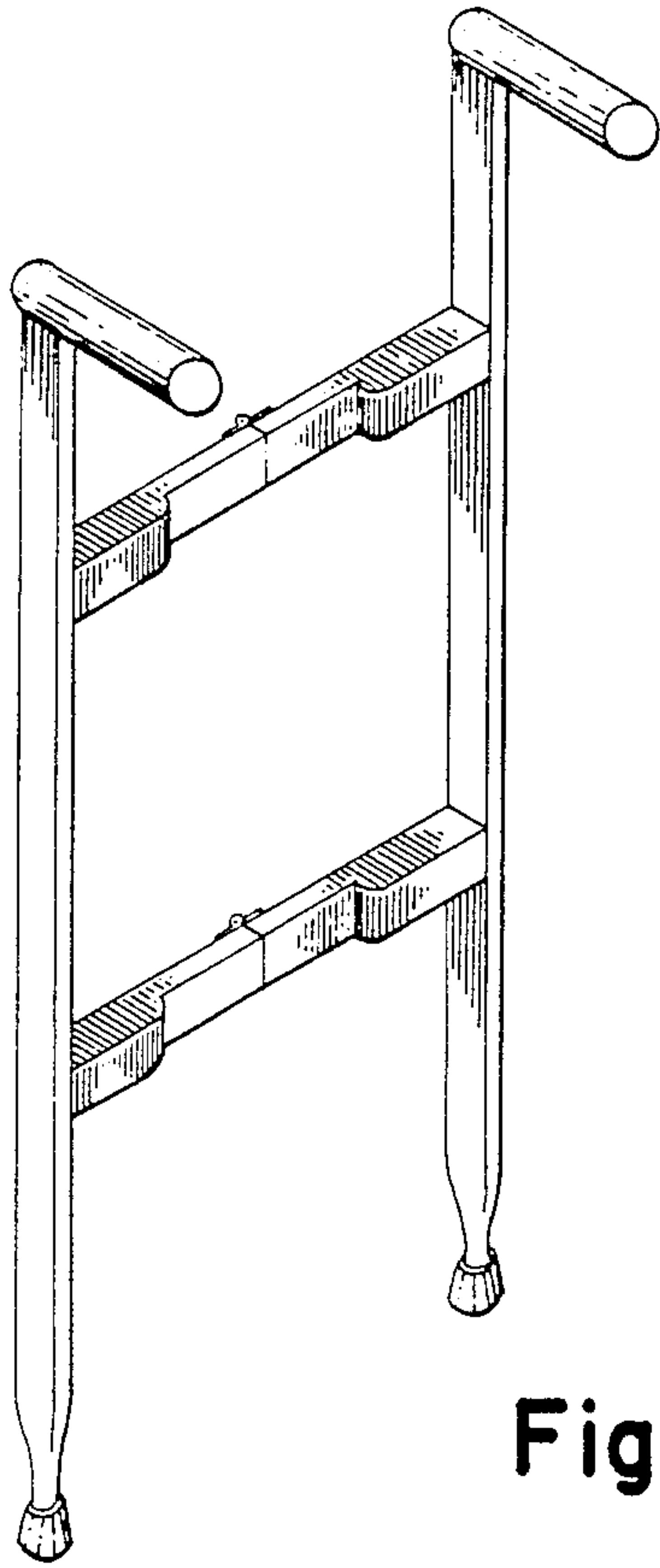


Fig. 1

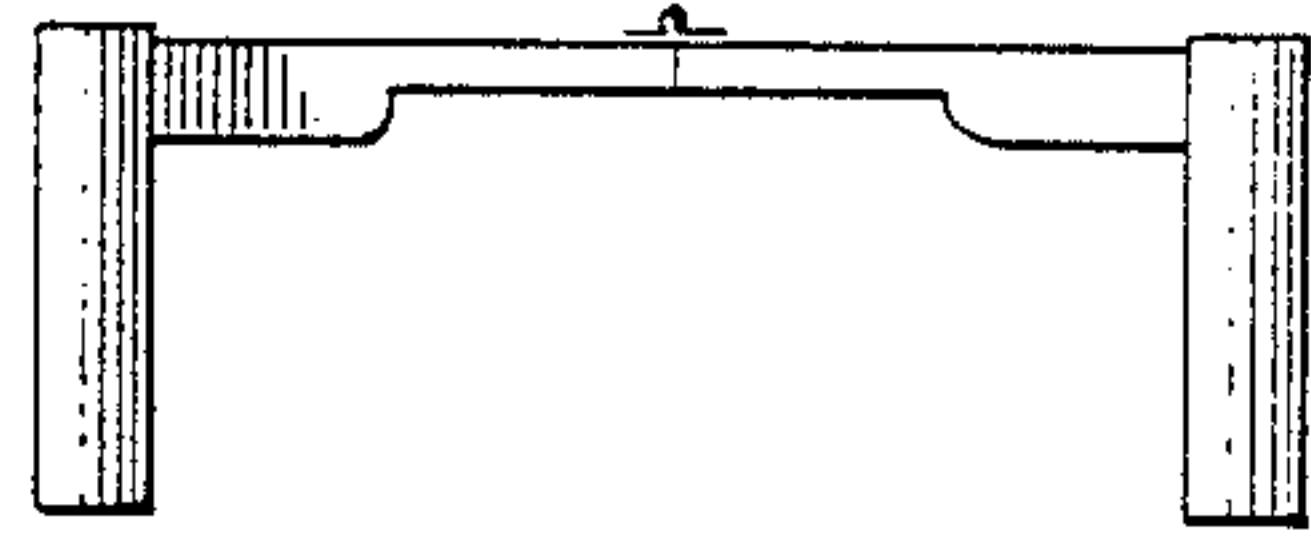


Fig. 2

Fig. 3

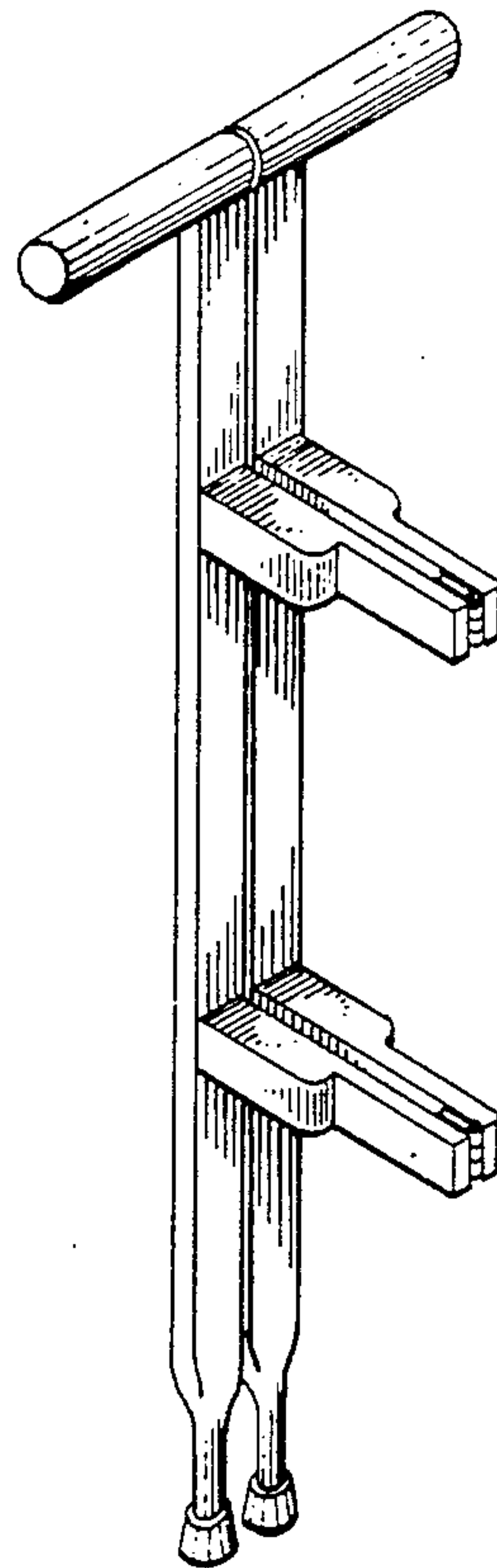


Fig. 4