

[54] TRUCK BED EXTENSION

[76] Inventor: Robert A. Noga, 13404 Calais Dr., Del Mar, Calif. 92014

[\*\*] Term: 14 Years

[21] Appl. No.: 664,077

[22] Filed: Oct. 24, 1984

[52] U.S. Cl. .... D12/98; D12/155

[58] Field of Search ..... D12/196, 155, 98, 190; 296/26, 60

[56] References Cited

U.S. PATENT DOCUMENTS

4,531,773 7/1985 Smith ..... 296/26

OTHER PUBLICATIONS

Popular Science, 7/78, p. 91, Bed Stretcher, bottom right side of page.

Primary Examiner—James M. Gandy  
Attorney, Agent, or Firm—Lewis E. Massie

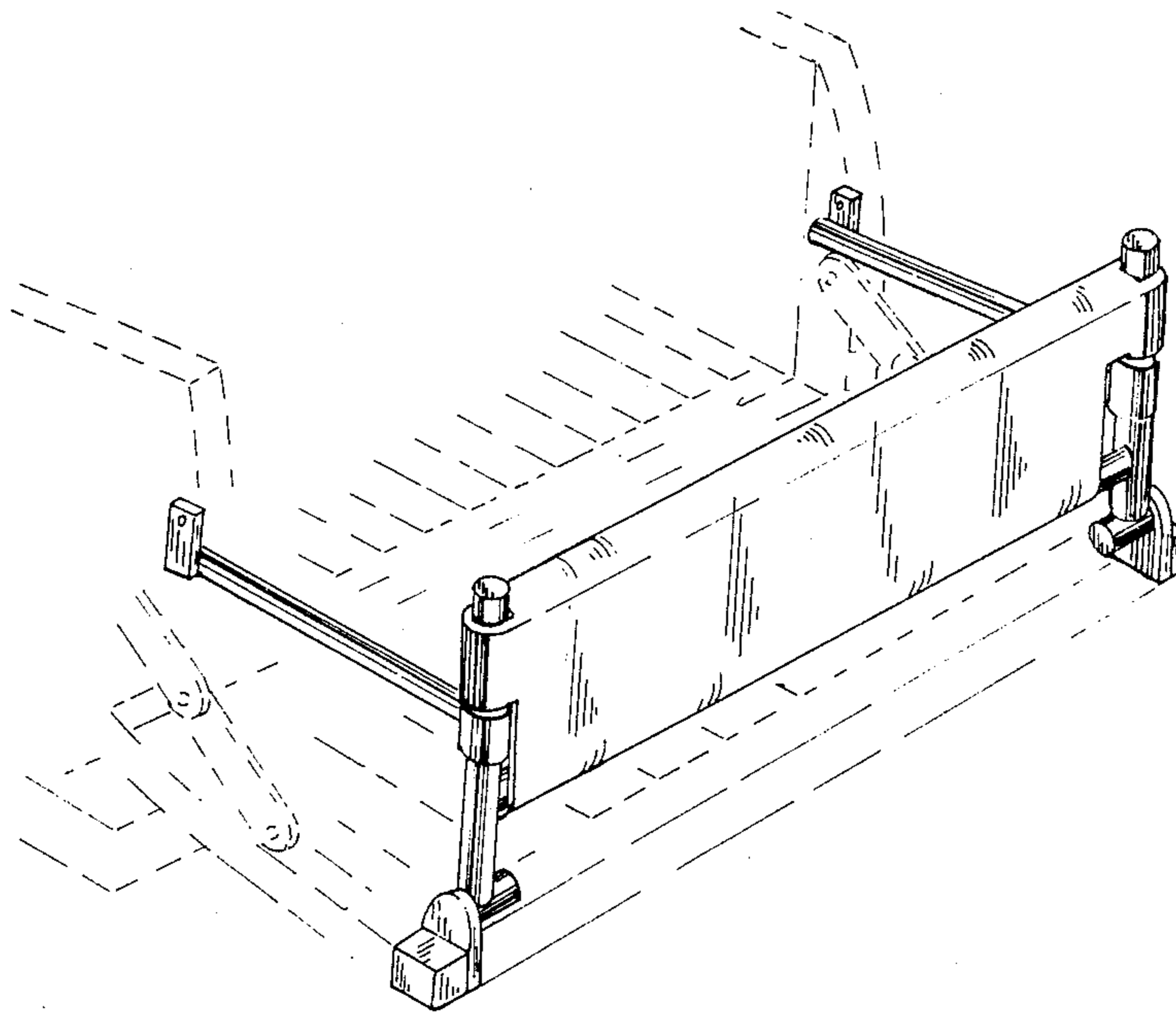
[57] CLAIM

The ornamental design for a truck bed extension, as shown and described.

DESCRIPTION

FIG. 1 is a front perspective view of the truck bed extension of the present invention;  
FIG. 2 is a left view in elevation of the truck bed extension of FIG. 1;  
FIG. 3 is a rear view in elevation of the truck bed extension of FIG. 1.

The broken lines showing a fragmentary portion of a pickup are for illustrative purposes only and form no part of the claimed design.



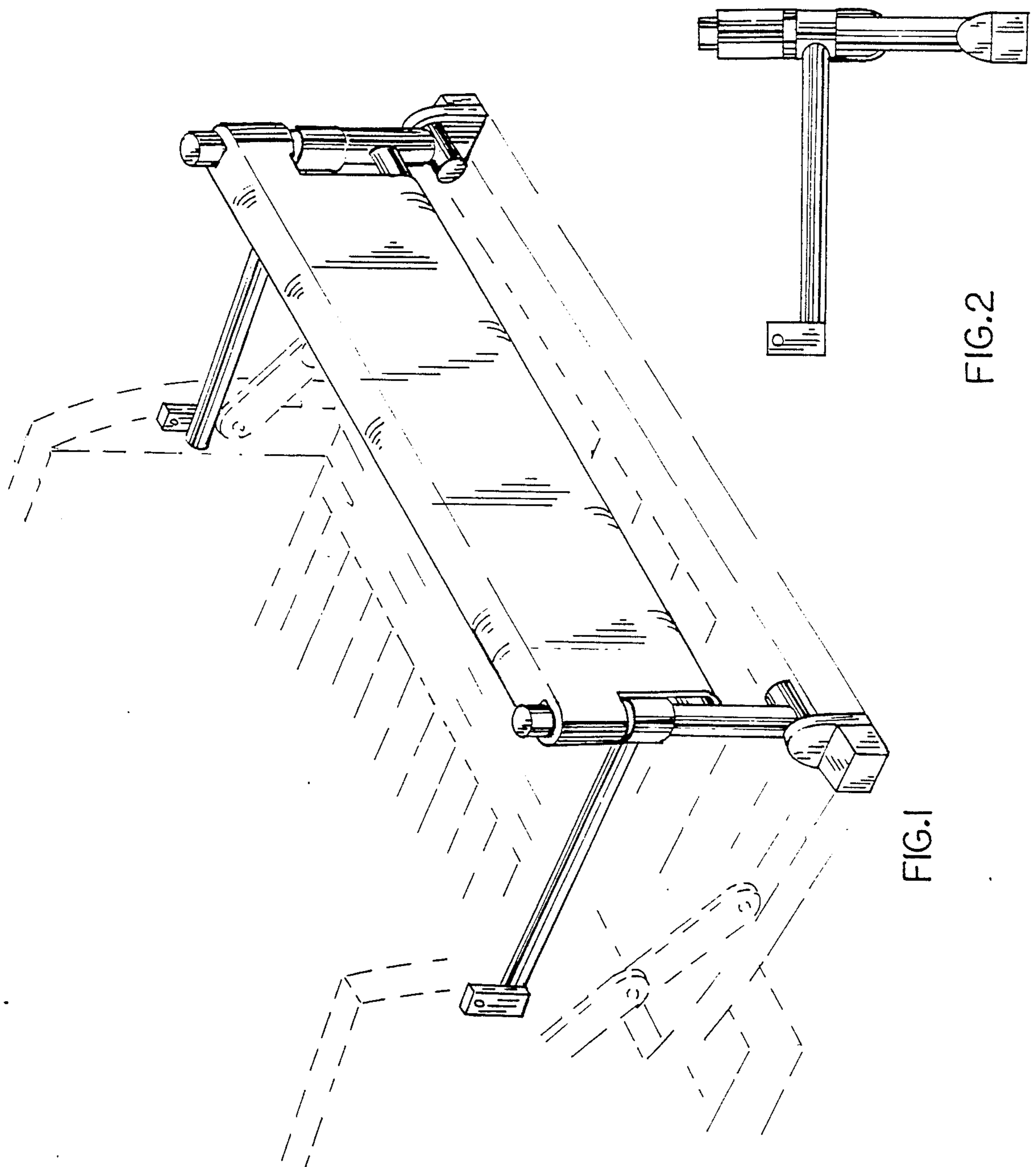


FIG. 1

FIG. 2

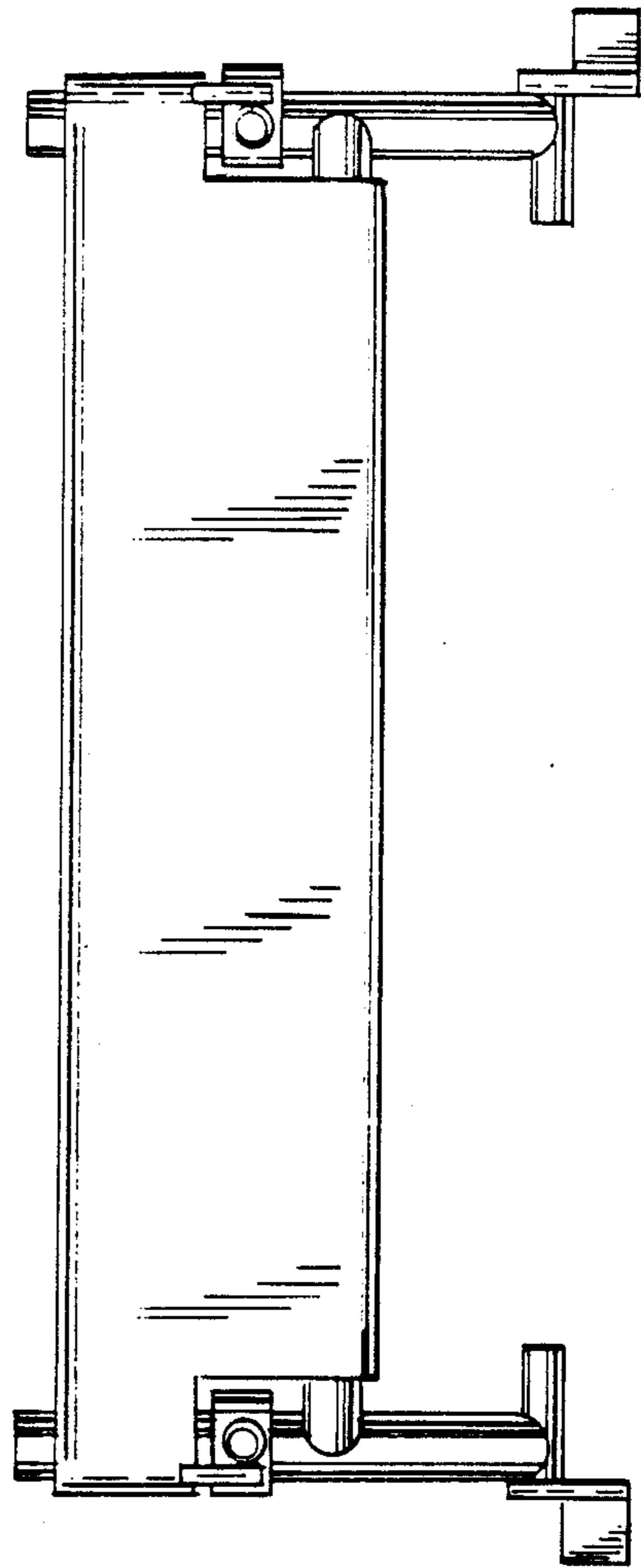


FIG.3