

[54] COLLAR ORNAMENT

[76] Inventor: Earl R. Caulkins, P.O. Box 1173, Fallon, Nev. 89406

[\*\*] Term: 14 Years

[21] Appl. No.: 664,750

[22] Filed: Oct. 25, 1984

[52] U.S. Cl. .... D11/213

[58] Field of Search ..... D11/213-215; 24/485, 530, 900; 63/20

[56] References Cited

U.S. PATENT DOCUMENTS

- D. 41,982 12/1911 Burke ..... D11/213
- D. 55,488 6/1920 Sampson .
- D. 56,550 11/1920 Brooks .
- D. 58,237 6/1921 Johnson .
- D. 146,896 6/1947 Campbell ..... D11/56
- D. 208,454 9/1967 Welch .
- 1,361,760 12/1920 Anderson ..... 24/900 X

- 1,819,757 8/1931 Roberts et al. .... 63/20 X
- 1,864,199 6/1932 Kahn ..... 63/20 X
- 2,502,199 3/1950 Berger ..... 24/485

Primary Examiner—Louis S. Zarfaz  
Attorney, Agent, or Firm—Norman B. Rainer

[57] CLAIM

The ornamental design for a collar ornament, substantially as shown and described.

DESCRIPTION

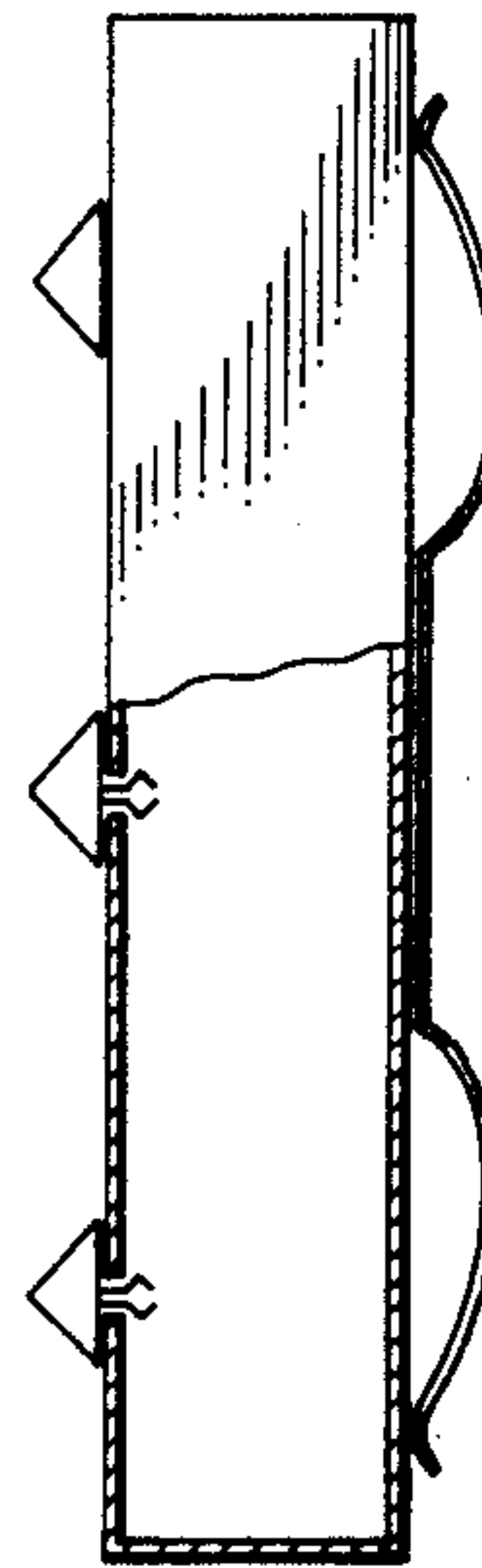
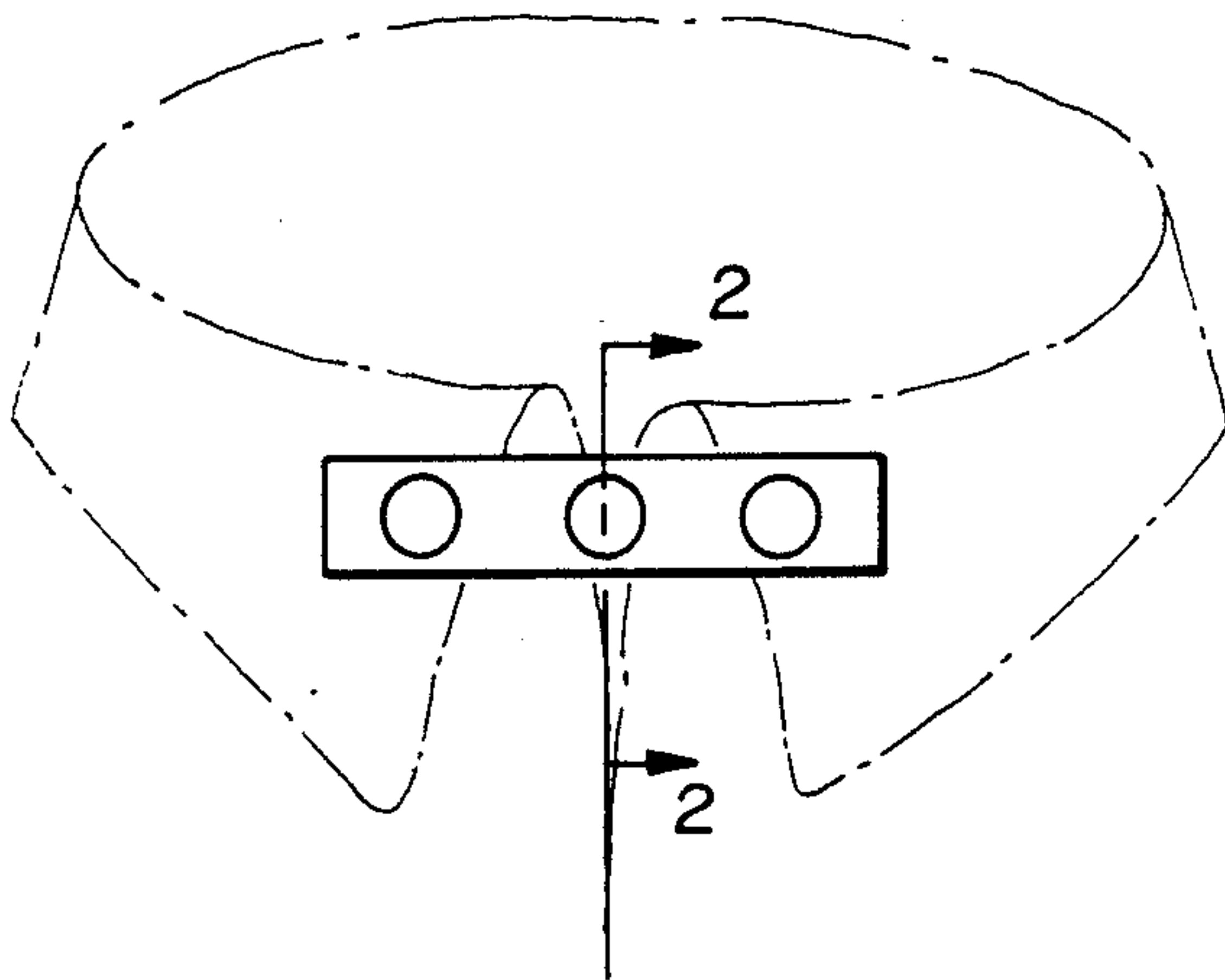
FIG. 1 is a front view of a collar ornament showing my new design.

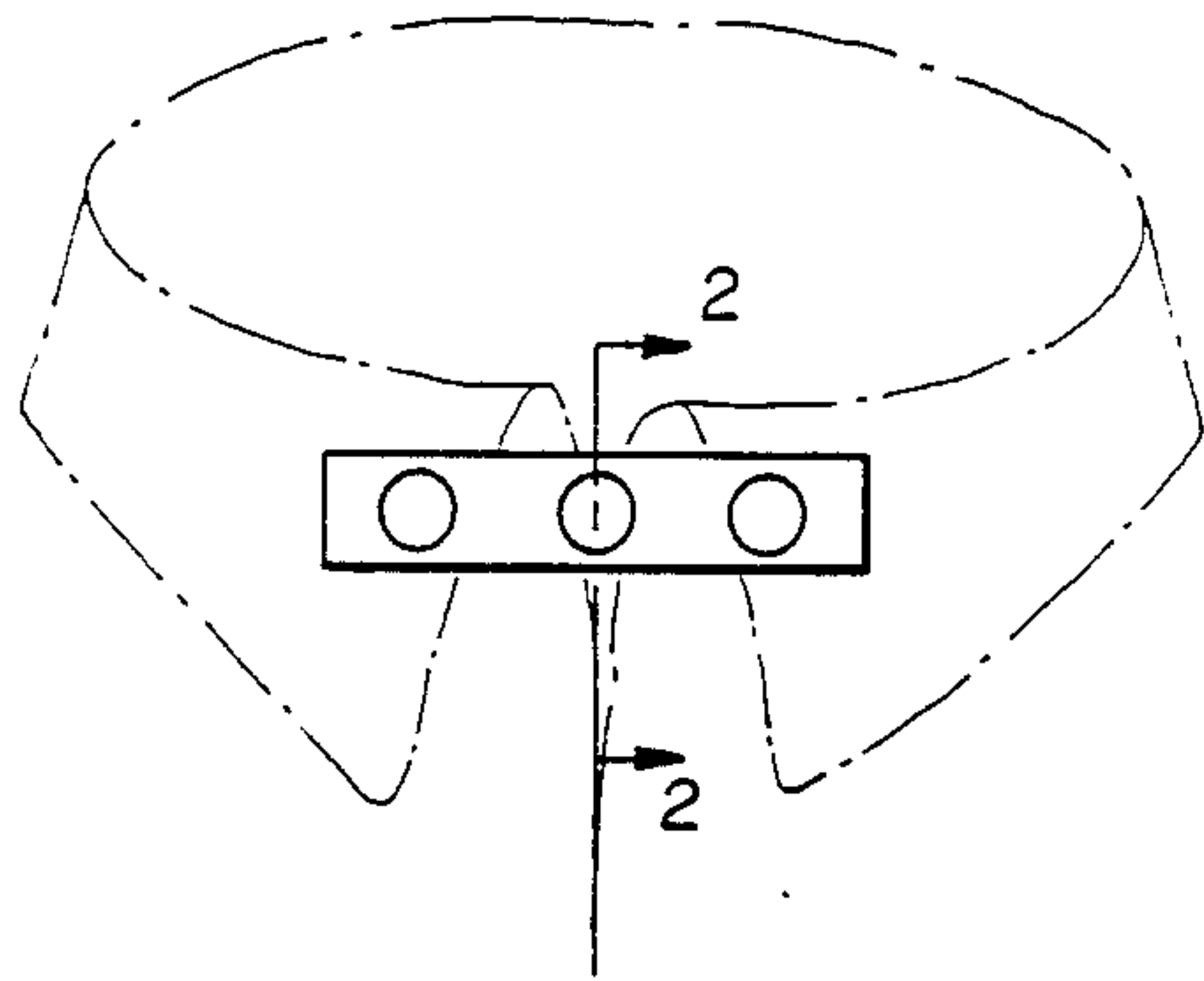
FIG. 2 is an enlarged sectional view taken along the line 2—2 of FIG. 1.

FIG. 3 is a rear view thereof.

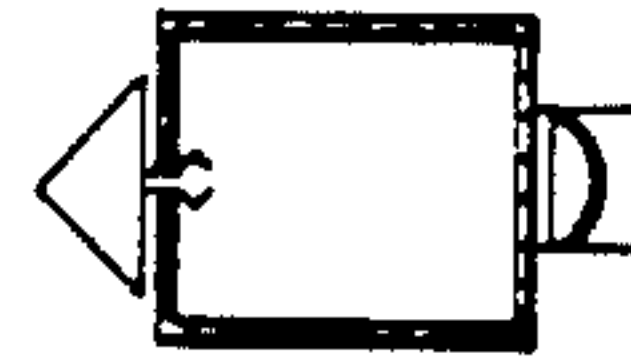
FIG. 4 is a top plan view thereof with portions broken away to reveal interior details.

The broken line showing of a collar in FIG. 1 is for illustrative purposes only and forms no part of the claimed design.

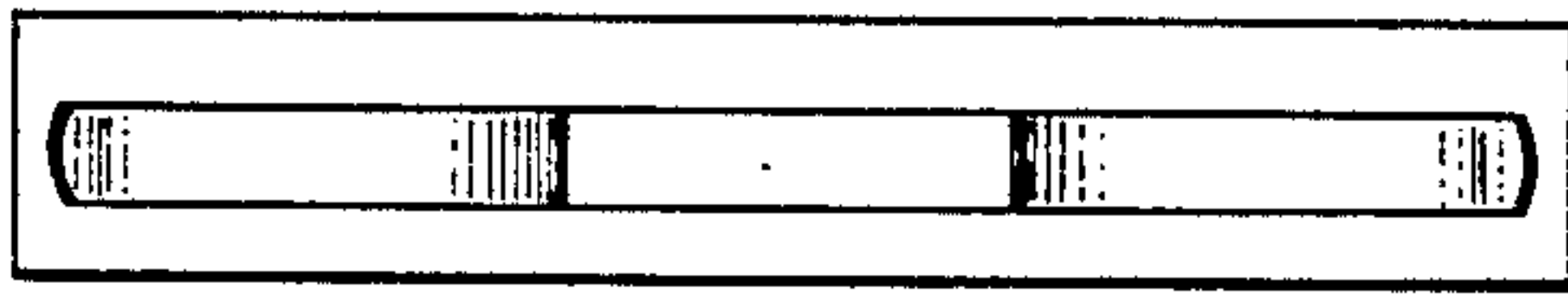




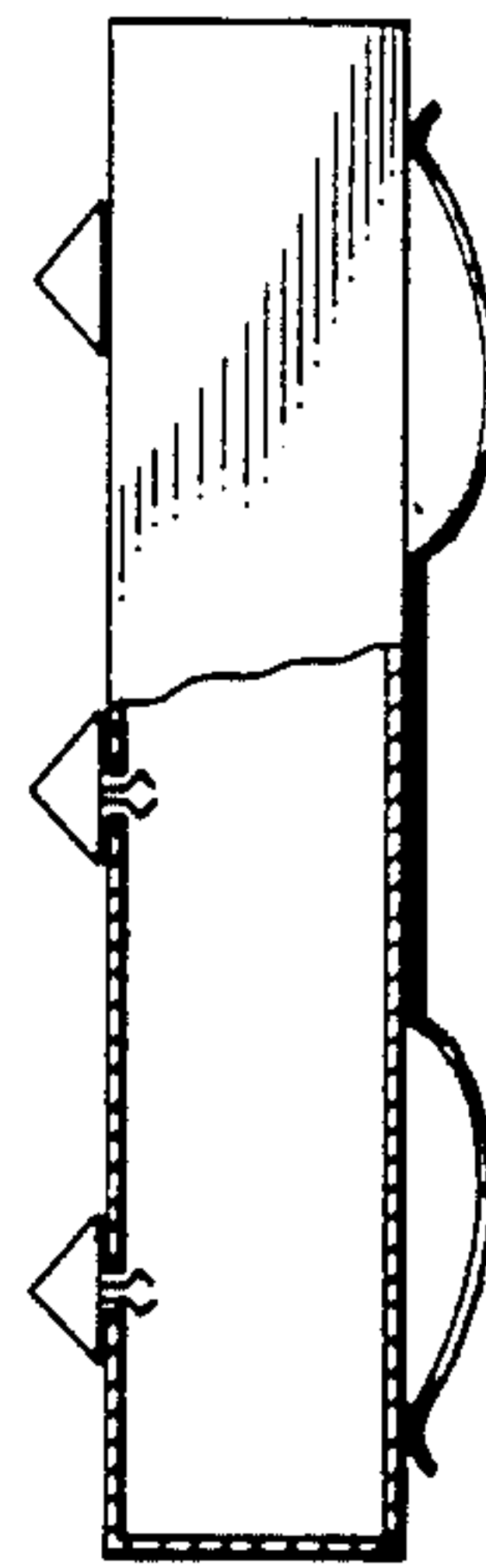
**Fig. 1**



**Fig. 2**



**Fig. 3**



**Fig. 4**