

[54] CONVEYOR BELT MODULE

[75] Inventors: James M. Lapeyre, New Orleans; William G. Faulkner, Marrero, both of La.

[73] Assignee: The Laitram Corporation, New Orleans, La.

[\*\*] Term: 14 Years

[21] Appl. No.: 805,240

[22] Filed: Nov. 15, 1985

[52] U.S. Cl. .... D8/499; D34/29

[58] Field of Search ..... D8/499; 198/844, 849, 198/850-853; D34/29

[56] References Cited

U.S. PATENT DOCUMENTS

D. 270,202	8/1983	Hodlowsky	834/29
2,911,091	11/1959	Imse	198/853
3,706,200	12/1972	Mueller	198/850

3,785,476	1/1974	Poerink	198/853
3,868,011	2/1975	Janzen et al.	198/853
4,618,056	10/1986	Cutshall	198/853

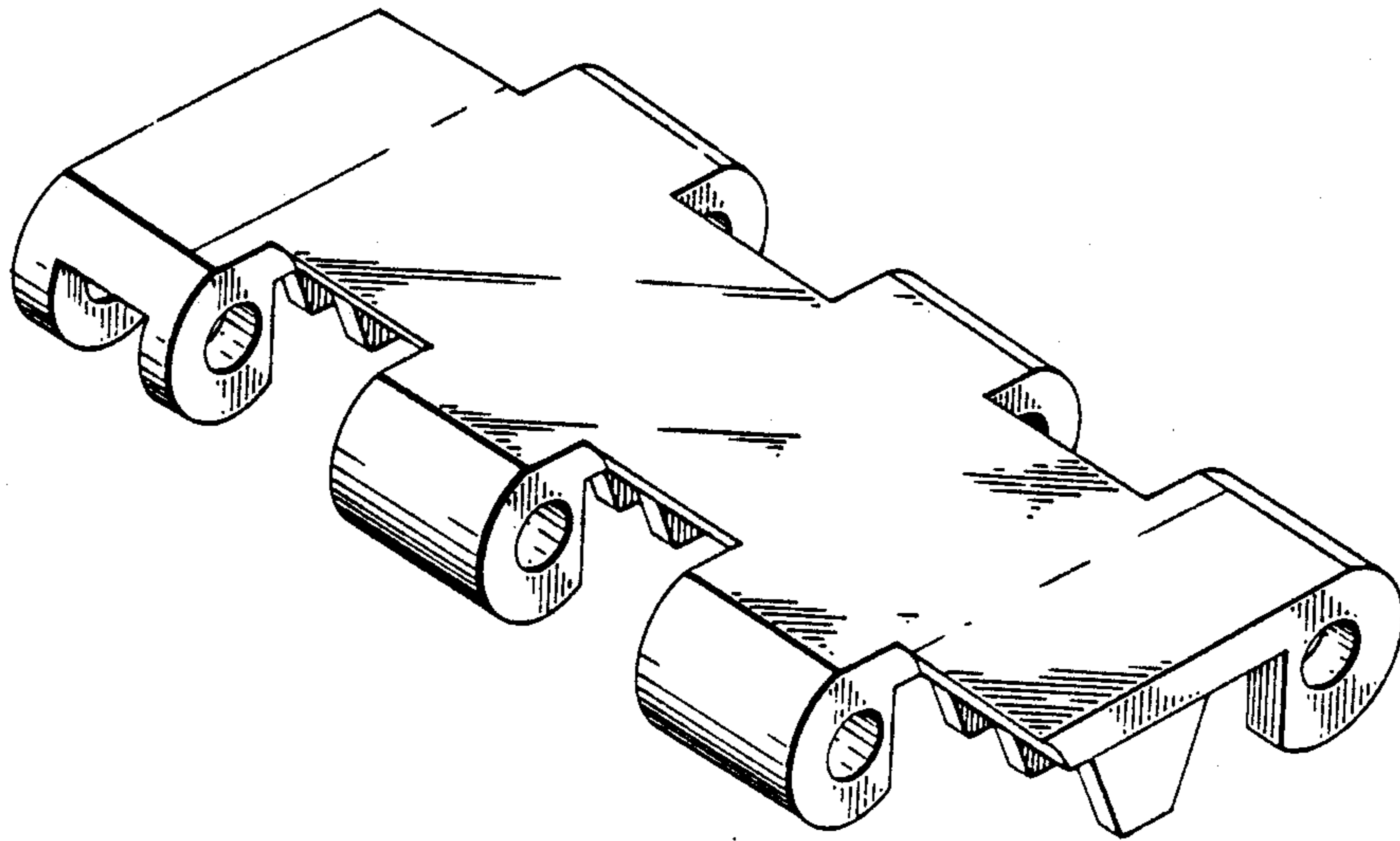
Primary Examiner—B. J. Bullock  
Attorney, Agent, or Firm—Weingarten, Schurgen, Gagnebin & Hayes

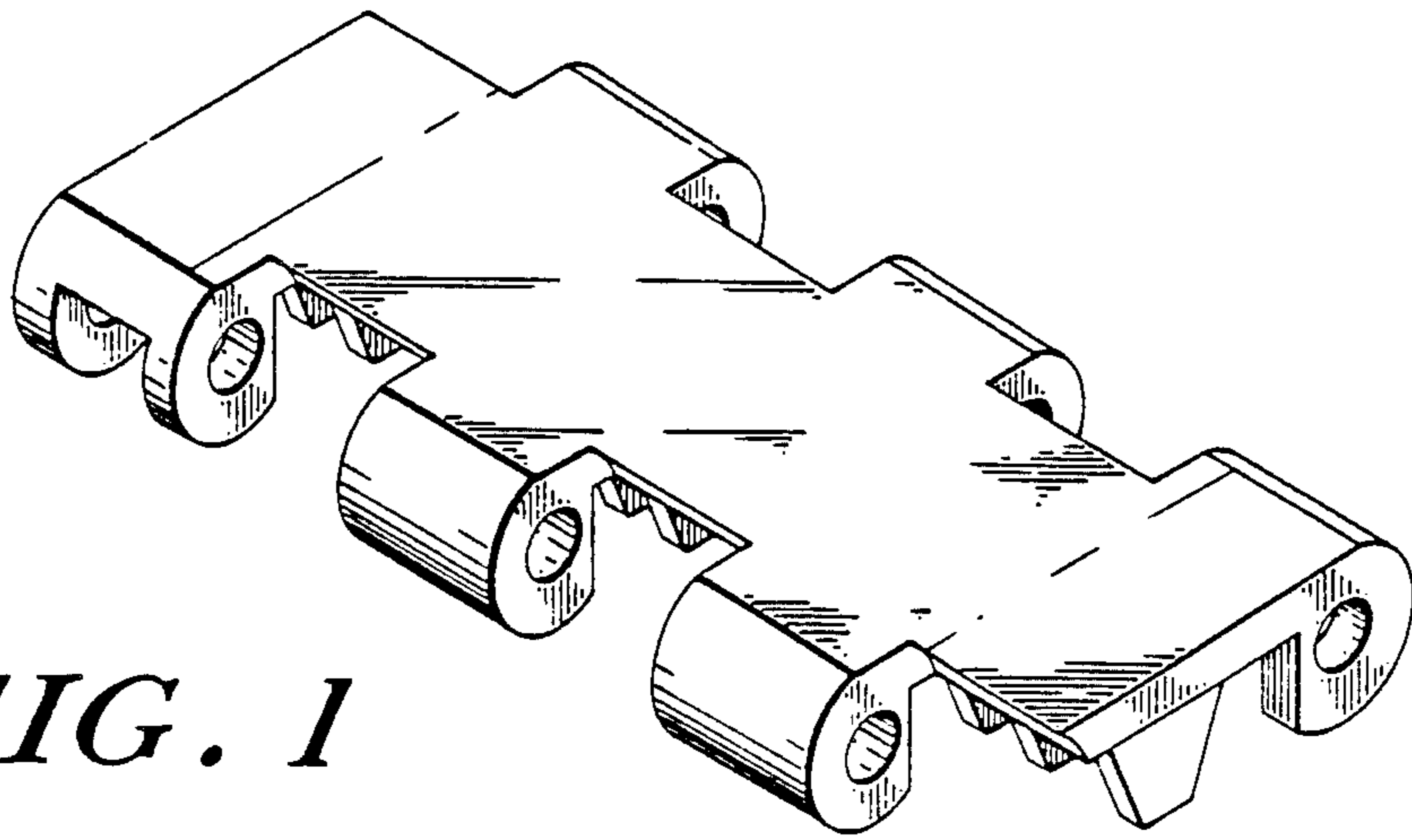
[57] CLAIM

The ornamental design for a conveyor belt module, as shown.

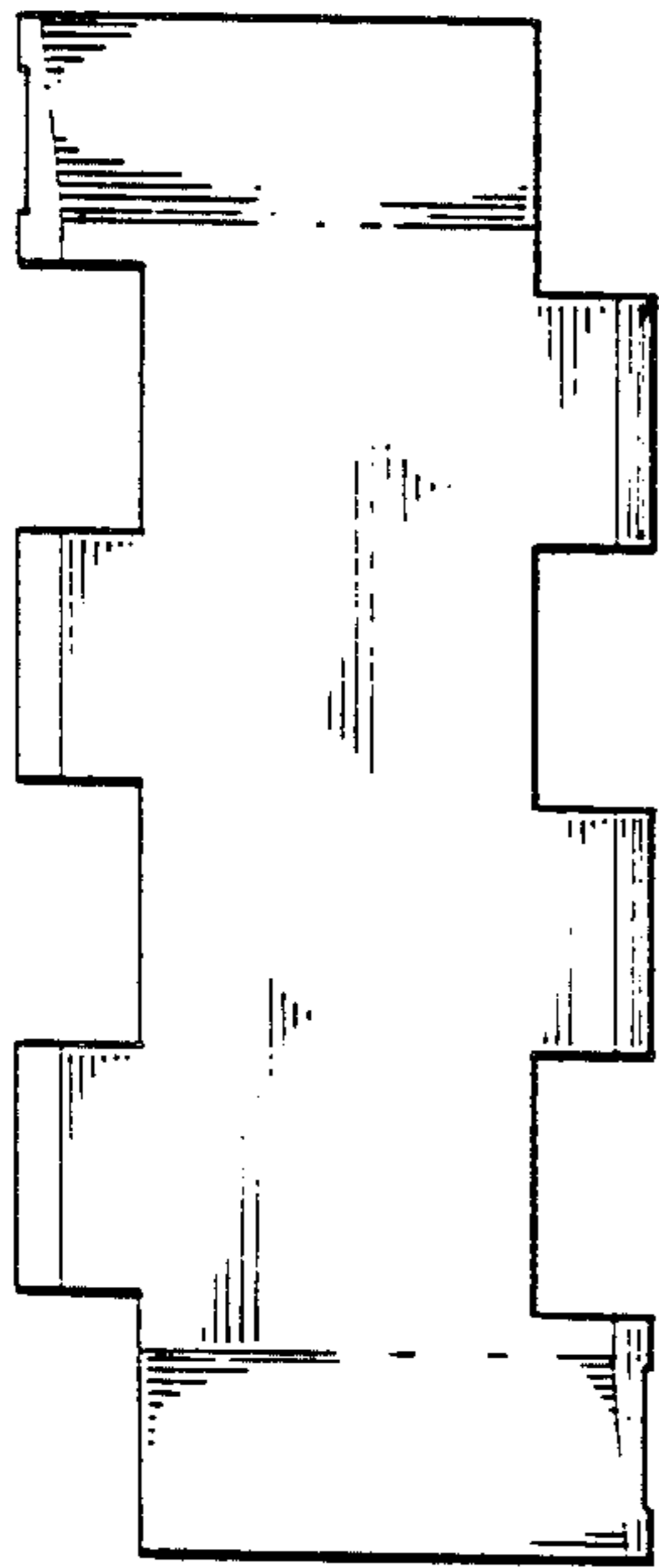
DESCRIPTION

FIG. 1 is a perspective view of a conveyor belt module showing our new design; FIG. 2 is a top view; FIG. 3 is a bottom view; FIG. 4 is a side elevational view taken from the left of FIG. 1, the side opposite being a mirror image thereof; FIG. 5 is an end elevational view taken from the front of FIG. 1, the end opposite being a mirror image thereof.

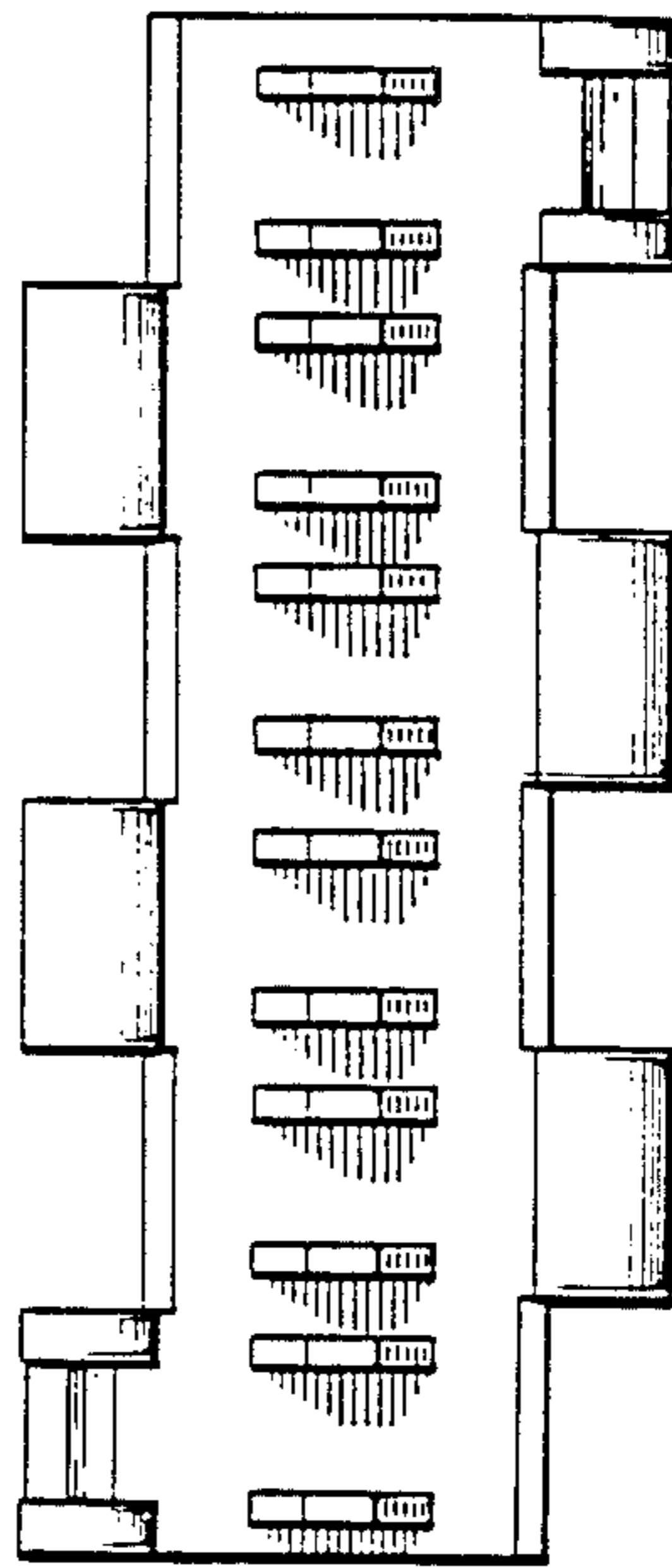




*FIG. 1*



*FIG. 2*



*FIG. 3*



*FIG. 4*



*FIG. 5*