

[54] CABLE CONNECTING PULL FOR AN AUTOMATIC DEAD END AND A TENSIONING DEVICE

3,018,531	1/1962	Arsenault	254/134.3 R
4,019,715	4/1977	Vugrek	254/134.3 R
4,431,165	2/1984	Chapman	254/134.3 R
4,531,714	7/1985	Bahr	254/134.3 R

[76] Inventor: Dale E. Miller, 27500 Idaho St., Bonita Springs, Fla. 33923

FOREIGN PATENT DOCUMENTS

0945983 4/1974 Canada 254/134.3 R

[**] Term: 14 Years

Primary Examiner—B. J. Bullock

[21] Appl. No.: 673,148

[57] CLAIM

[22] Filed: Nov. 19, 1984

The ornamental design for a cable connecting pull for an automatic dead end and a tensioning device, as shown and described.

[52] U.S. Cl. D8/382

[58] Field of Search D8/367, 382, 72; 254/134.3 R, 134.3 PA, 134.5

DESCRIPTION

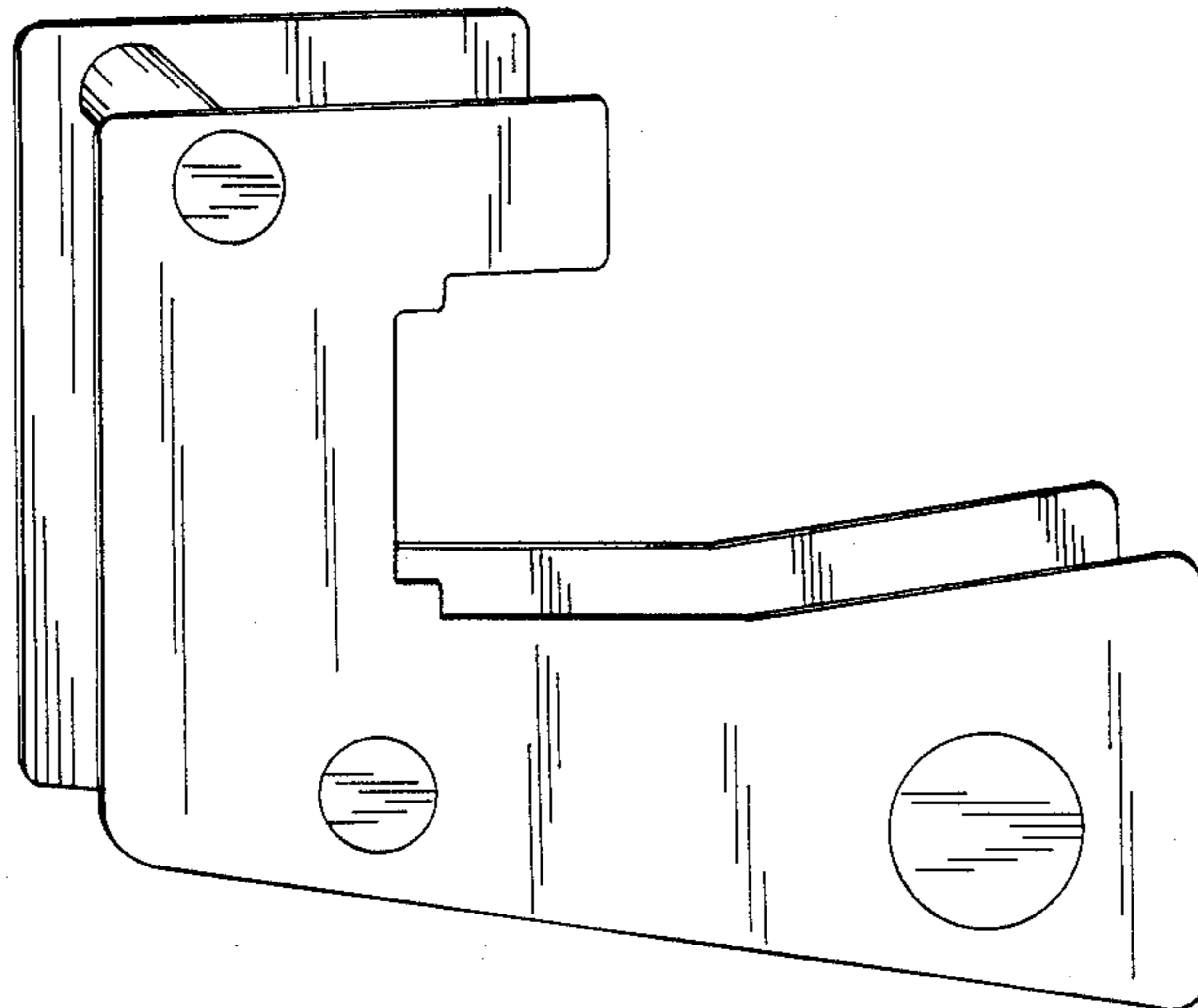
[56] References Cited

U.S. PATENT DOCUMENTS

D. 247,951	5/1978	Anthony	D8/382
D. 281,483	11/1985	Faidide	D8/382

FIG. 1 is a side perspective view of a cable connecting pull for an automatic dead end and a tensioning device showing my new design, the side opposite being a mirror image;

FIG. 2 is a bottom view thereof.



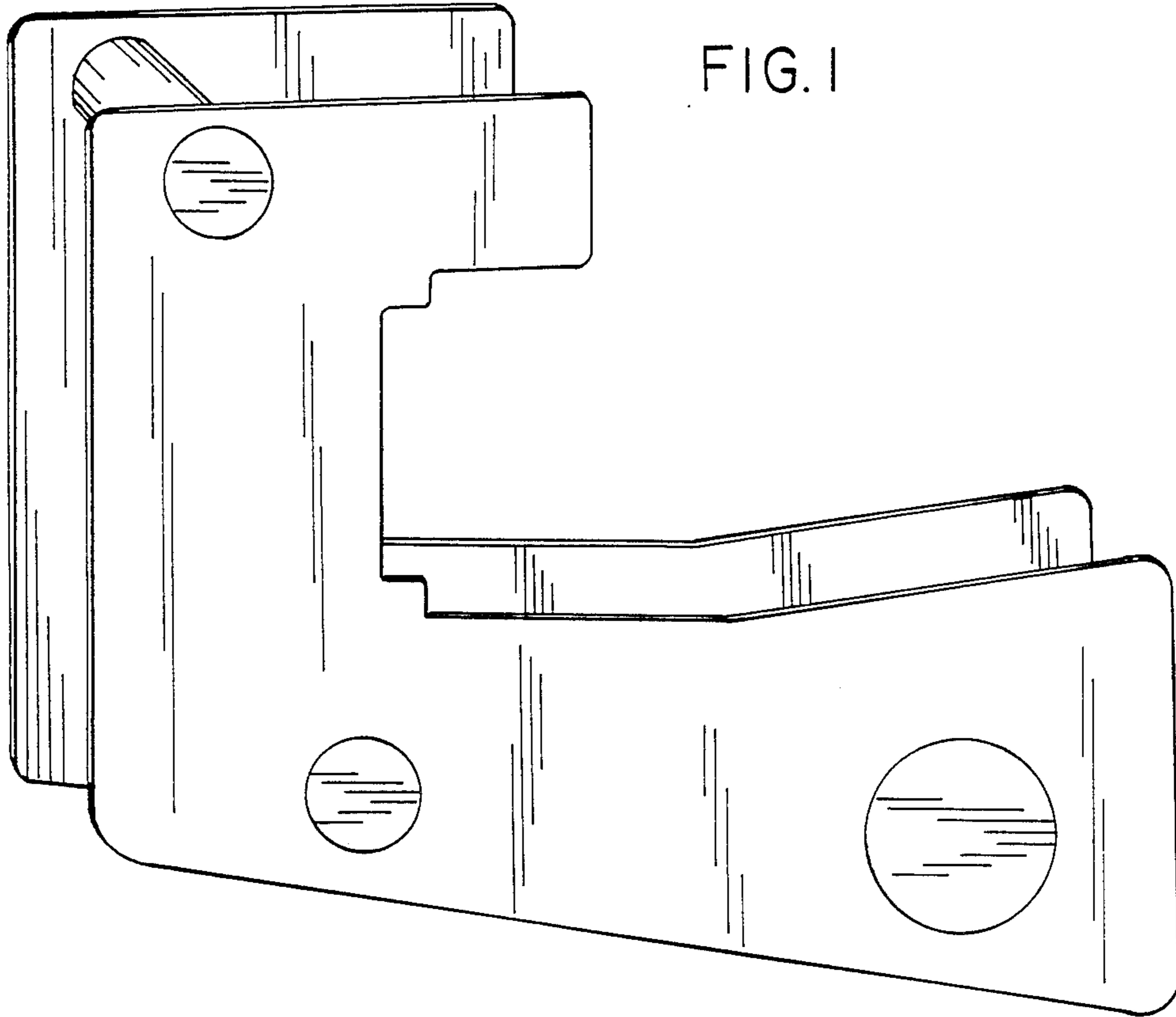


FIG. 2

